

íntimo

SINGLE-ENDED CLASS-A HEADPHONE AMPLIFIER / PREAMPLIFIER / DAC

USER MANUAL



Wyred 4 Sound

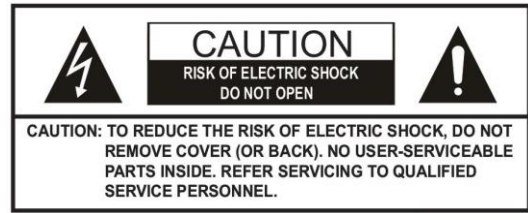
What's Included

- Íntimo unit
- Detachable power cable
- User Manual

Important Safeguards

- All the safety and operating instructions should be read before this product is operated.
- The safety and operating instructions should be retained for future reference.
- All warnings on the appliance and in the operating instructions should be adhered to.
- Follow all instructions.
- The appliance should not be used near water or moisture – for example, in a wet basement or near a swimming pool, and the like.
- Clean only with dry cloth.
- Do not block any ventilation openings. Install in accordance with the manufacturer's instructions.
- Do not install near any heat sources such as radiators, heat registers, stoves, or other apparatus (including amplifiers) that produce heat.
- Do not defeat the safety purpose of the polarized or grounding plug. A polarized plug has two blades with one wider than the other. A grounding plug has two blades and a third grounding prong. The wide blade or the third prong is provided for your safety. If the provided plug does not fit your outlet, consult an electrician for replacement of the obsolete outlet.
- Protect the power cord from being walked on or pinched particularly at the plugs, convenience receptacles, and at the point where they exit from the apparatus.
- Unplug this apparatus during lightning storms or when unused for long periods of time.
- Refer all servicing to qualified personnel. Servicing is required when the apparatus has been damaged in any way such as the power cord or plug is damaged. Other damage may occur if liquid or objects have been dropped or spilled into the apparatus. Dropping the apparatus, exposure to rain, and excessive moisture may cause additional damage.
- Keep the unit in a well ventilated environment. Ensure at least 4" clearance around top and sides.
- CAUTION: These servicing instructions are for use by qualified service personnel only. To reduce the risk of electric shock, do not perform any servicing other than that contained in the operating instructions unless you are qualified to do so.
- WARNING: To reduce the risk of electric shock, do not expose this apparatus to rain or moisture. The apparatus shall not be exposed to dripping or splashing and that objects filled with liquids, such as vases, shall not be placed on apparatus.
- WARNING: The mains plug/appliance coupler is used as disconnect device, the disconnect device shall remain readily operable.

- The lightning flash with arrowhead symbol within an equilateral triangle is intended to alert the user to the presence of non-insulated “dangerous voltage” within the product’s enclosure that may be of sufficient magnitude to constitute a risk of electric shock.
- No naked flame sources, such as lighted candles, should be placed on the apparatus.
- **WARNING:** The terminals marked with symbol of “+/-“ may be of sufficient magnitude to constitute a risk of electric shock. The external wiring connected to the terminals requires installation by an instructed person or the use of ready made insulated leads or cords.
- **Correct Disposal of this product.** This marking indicates that this product should not be disposed with other household wastes throughout the EU. To prevent possible harm to the environment or human health from uncontrolled waste disposal, recycle it responsibly to promote the sustainable reuse of material resources. To return your used device, please use the return and collection systems or contact the retailer where the product was purchased. They can take this product for environmentally safe recycling.
- **Keep your packaging!** It is custom made for your unit and will effectively protect it for possible future use.
- **Be sure to register your product.** It is very important to complete the warranty registration form located on our website. Complete and submit the form within 30 days of purchase to activate your warranty.



FCC Warning

This equipment has been tested and found to comply with the limits for a Class B digital device, pursuant to Part 15 of the FCC Rules. These limits are designed to provide reasonable protection against harmful interference in a residential installation.

This equipment generates, uses and can radiate radio frequency energy and, if not installed and used in accordance with the instructions, may cause harmful interference to radio communications. However, there is no guarantee that interference will not occur in a particular installation. If this equipment does cause harmful interference to radio or television reception, which can be determined by turning the equipment off and on, the user is encouraged to try to correct the interference by one or more of the following measures:

- Reorient or relocate the receiving antenna.
- Increase the separation between the equipment and receiver.
- Connect the equipment into an outlet on a circuit different from that to which the receiver is connected.
- Consult the dealer or an experienced radio/TV technician for help.

Caution: Any changes or modifications to this device not explicitly approved by manufacturer could void your authority to operate this equipment.

This device complies with part 15 of the FCC Rules. Operation is subject to the following two conditions: (1) This device may not cause harmful interference, and (2) this device must accept any interference received, including interference that may cause undesired operation.

Contents

Section	Page
Introduction	6
Noteworthy Features	6
Unpacking and Setup	7
Connections, Displays and Controls	8
- Back Panel	8
- Front Panel: Default Display and Settings Menu Display	9
- Capacitive Touch Controls	10
- Settings Table	11
USB Input Configuration	12
Specifications	13
Warranty Coverage	13-14
Service	15

Introduction

íntimo, adj. : **close, intimate, private**. That definition describes perfectly what awaits the headphone music lover through the *íntimo*. The *íntimo* has the power to bring your listening experience to new levels of involvement and realism. When designing the *íntimo*, we knew certain things had to be included: a sophisticated Class-A amplifier with enough power and finesse to drive difficult loads with authority, adjustable gain to allow for ultimate compatibility, a reference-level DAC capable of processing hi-res PCM and DSD files, multiple digital inputs, and in the tradition of Wyred 4 Sound, an affordable price! The *Íntimo* possesses all of these features, along with an elegant capacitive touch interface and a beautiful, custom case. The *íntimo* will provide you years of listening joy.

Noteworthy Features

The *íntimo* was designed and voiced to be a state-of-the-art headphone amplifier/DAC. Below are some highlights.

- Powerful pure Class-A output
- ESS Sabre 32-bit DAC chip
- Asynchronous, galvanically isolated USB input supports up to 32-bit 384kHz PCM and DSD 256
- Balance and phase controls
- Selectable low, medium or high gain settings
- Selectable low, medium or high impedance settings
- 3-band configurable slope, level and frequency settings
- 5 digital inputs: 2x Coax, 2x Toslink, 1x USB
- Analog outputs to allow for connection to an external amplifier
- Large, easy-to-read alphanumeric display
- Capacitive touch controls
- Custom-milled casework
- Compact size

Unpacking and Setup

Congratulations on purchasing the Íntimo headphone amplifier/DAC. Setting up and using the Íntimo is a fairly straightforward affair. However, taking a few moments to read over this User Manual is recommended in order to understand and enjoy the Íntimo to the fullest.

Carefully unpack the Íntimo. We recommend retaining all packaging material in case future shipping is necessary. Place the Íntimo on a hard, flat and clean surface. As the Íntimo can run warm due to its Class A amplification, it is important that the Íntimo be given adequate space around its sides and top for ventilation and airflow. Avoid placing the Íntimo in a tight or confined space that will not allow for this.

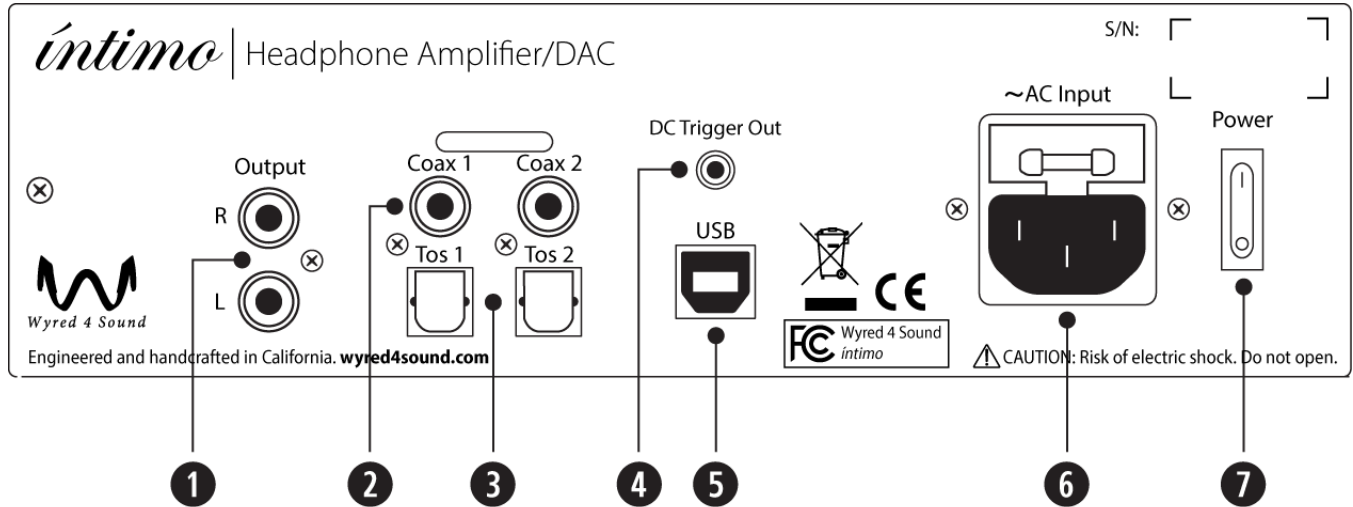
Make all cable connections before turning the unit on using the Power switch on back. The switch puts the Íntimo into standby mode. Tap the Power icon on top to turn the unit on.

Observe the “Back Panel” diagram under “Connections, Displays and Controls” for making cable connections. Toslink and coaxial inputs are limited to PCM files of 24/192k or lower. The galvanically isolated USB input can accept PCM files up to 32/384k and DSD files up to DSD256.

The Íntimo can be used as a standalone headphone amplifier/DAC and/or a preamplifier/DAC if you connect the right and left stereo outputs on the back panel to an external amplifier. Note that the headphone outputs and the stereo outputs operate simultaneously. If you have both connected, leave the external amplifier off if you do not wish to hear music through your stereo setup.

Connections, Displays and Controls

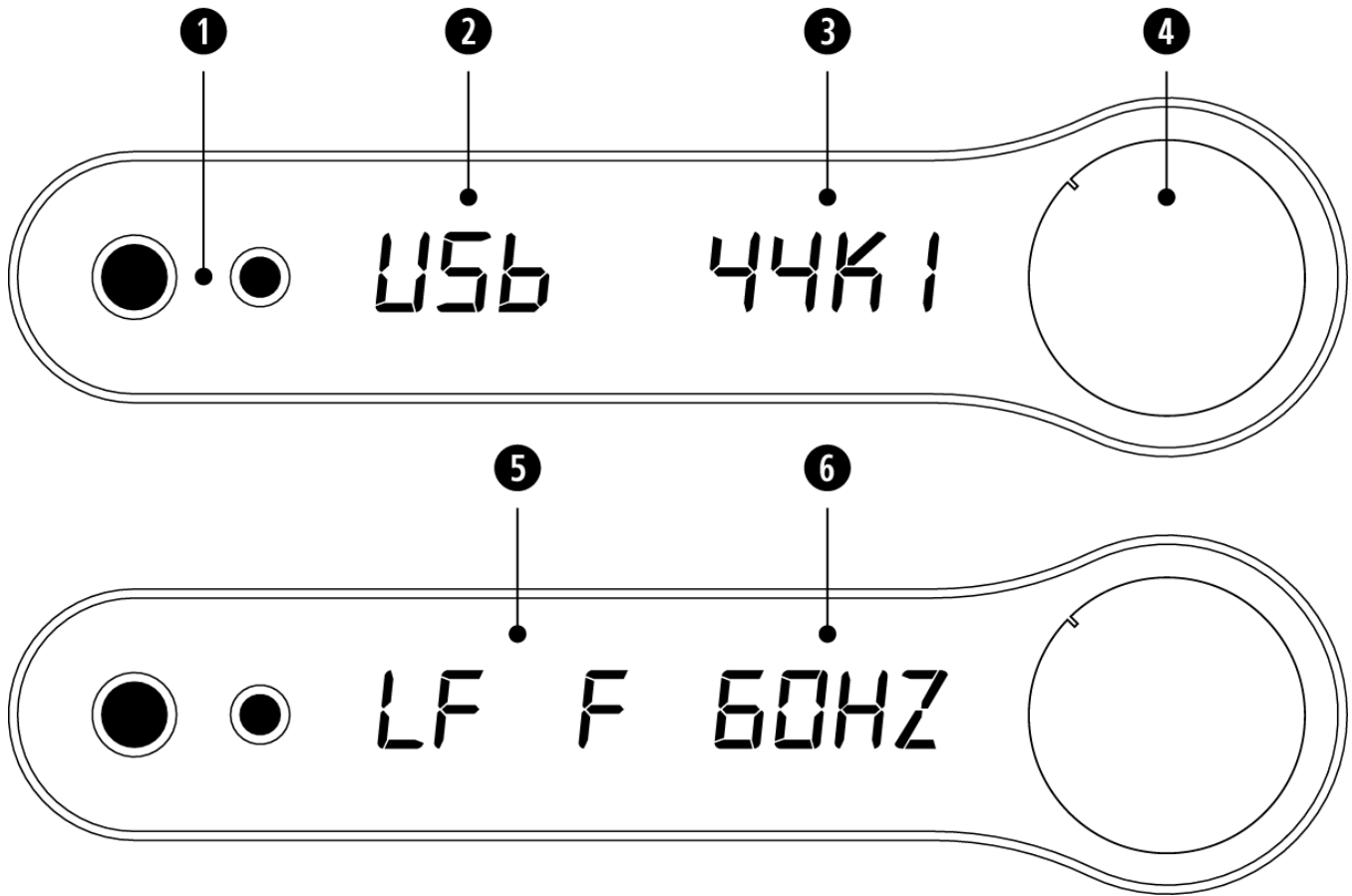
Back Panel



- 1. Output**
Analog right and left RCA outputs to connect to an amplifier. Note: output to amplifier and headphones is simultaneous.
- 2. Coax 1 and Coax 2**
Independent digital coaxial inputs.
- 3. Tos 1 and Tos 2**
Independent digital toslink (optical) inputs.
- 4. DC Trigger Out**
Connect with a 12 volt DC trigger-enabled device to allow turning on both íntimo and connected device with just the íntimo.
- 5. USB**
Digital USB input. This input accepts high-res PCM and DSD files.
- 6. AC Input**
Connect AC cable. Be sure to observe proper voltage noted in the serial label. Access to the fuse is above.
- 7. Power**
Flip the rocker switch to turn the íntimo on or off.

Front Panel

Top: Default display. Bottom: Settings menu display



- 1. Single-Ended Headphone Output Jacks**
Compatible with ¼" or ⅜" headphone connectors.
- 2. Input Type Display**
In normal operation (e.g. not displaying the Settings menu), the front panel will display the input type. Tap the Down/Up arrow icons to toggle through input types.
- 3. File Sample Rate Display**
In normal operation (e.g. not displaying the Settings menu), the front panel will display the file sample rate if a file is playing. PCM files up to 384k will display the numerical sample rate. DSD files will display as "DSD".
- 4. Volume Knob**
- 5. Settings Menu Selection**
While in the Settings menu, the current Settings menu selection is displayed.
- 6. Settings Menu Value**
While in the Settings menu, the current value for the selected setting is displayed.

Capacitive Touch Controls

The íntimo's capacitive touch controls offer the user an elegant interface to modify and customize various settings. Tap the controls lightly with your fingertip; the controls are quite touch sensitive. Avoid tapping with fingernails and/or sharp objects to preserve the finish. While inside a menu setting, the display will revert to the default mode after -10 seconds of inactivity, or you can get back to the default display more quickly by tapping the Power icon.



- 1. Phase**
Some recordings are recorded “in” phase (0°), others “out” (180°). Tap the Phase icon to toggle between phase in (PHSE IN) and phase out (PHSE OUT) for optimal sound quality.
- 2. Settings** (see Settings Table, next page)
Tap the Settings icon to enter the Settings menu. Tap the Down or Up arrow icons (see 4 and 5 in the diagram above) to scroll through the different Settings. To configure a particular setting, tap the Settings icon while that setting is highlighted. You will notice that the display will then highlight the setting value. Tap the Down or Up arrow icons to scroll through the different values. Tap on the Settings icon to simultaneously save the desired value and go back to the main Settings menu. Repeat this procedure to configure and save any settings. Below is the Settings menu and available values.
- 3. Power**
When the unit is powered on with the back switch, tap this icon to turn the unit on or put the unit in low-power standby mode. If you are within Phase or Settings, tapping the Power icon will quickly exit these sections and revert to the default display (input selection and output resolution).
- 4. Down Arrow Selector**
Tap the Down Selector to scroll through inputs or the Settings menu and settings values.
Inputs: Coaxial 1 (CO 1), Coaxial 2 (CO 2), USB (USb), Toslink 1 (TOS1), Toslink 2 (TOS2)
- 5. Up Arrow Selector**
Tap the Up Selector to scroll through inputs or the Settings menu and settings values.
Inputs: Coaxial 1 (CO 1), Coaxial 2 (CO 2), USB (USb), Toslink 1 (TOS1), Toslink 2 (TOS2)

Settings Table

SETTINGS MENU	AVAILABLE VALUES
Balance (bAL)	Adjust balance up to +9 right (R) or left (L) in 1 db increments. "--" indicates neutral balance.
Impedance (IMPd)	Low, Medium, High
Gain (GAIN)	Low, Medium, High
High Frequency Slope (HF Q)	1, 2
High Frequency Level (HF L)	+ or - (1-9)
High Frequency Frequency (HF F)	7 kHz, 10 kHz, 11 kHz, 12 kHz
Mid Frequency Slope (MF Q)	1, 2
Mid Frequency Level (MF L)	+ or - (1-9)
Mid Frequency Frequency (MF F)	700 Hz, 1 kHz, 1.2 kHz
Low Frequency Slope (LF Q)	1, 2
Low Frequency Level (LF L)	+ or - (1-9)
Low Frequency Frequency (LF F)	60 Hz, 70 Hz, 100 Hz, 120 Hz

USB Input Configuration

The USB interface for the Íntimo is driverless for Mac and Linux. For Windows, the included driver disk has standard drivers as well as ASIO® drivers. The driver is also available for download from our website. All users (Mac, Linux, PC) will need to configure the DAC as the output device for their computer. Please see step 6.

Windows Setup

1. Windows 10 is now driverless with Windows 10

Configuring the DAC as the Audio Output Device

2. It is now necessary to select the Íntimo interface as the default output device for your system. The device name will vary depending on version you are using.
 - a. **Mac**
Locate and open the Audio MIDI Setup: Go to Finder > Applications > Utilities > Audio MIDI Setup. Select the Íntimo DAC as the default output device and apply the setting.
 - b. **Windows**
Locate the Audio output device (Manage Audio Devices) selection which is found in the control panel located in the startup menu. You will need to set the default output device to the Íntimo interface. This setting will be part of the OS and not the media player.

Please note: Additional output configuration and device selection may be required in your music media player.

The last step is easy: enjoy your music!

Warranty Coverage

Wyred 4 Sound, as defined below, warrants this Wyred 4 Sound-branded hardware product against defects in materials and workmanship under normal use for a period of FIVE (5) YEARS from the date of retail purchase by the original end user purchaser ("Warranty Period"). If the product has been transferred from the original owner to a second hand owner it has a ONE (1) YEAR warranty, valid from the original date of purchase by the original owner. If a hardware defect arises and a valid claim is received within the Warranty Period, at its option, Wyred 4 Sound will either (1) repair the hardware defect at no charge, using new or refurbished replacement parts, or (2) exchange the product with a product that is new or which has been manufactured from new or serviceable used parts and is at least functionally equivalent to the original product. Wyred 4 Sound may option that you replace defective parts with new or refurbished user-installable parts that Wyred 4 Sound provides in fulfillment of its warranty obligation. A replacement product or part, including a user-installable part that has been installed in accordance with instructions provided by Wyred 4 Sound, assumes the remaining warranty of the original product or ninety (90) days from the date of replacement or repair, whichever provides longer coverage for you. When a product or part is exchanged, any replacement item becomes your property and the replaced item becomes Wyred 4 Sound's property. Parts provided by Wyred 4 Sound in fulfillment of its warranty obligation must be used in products for which warranty service is claimed. When a refund is given, the product for which the refund is provided must be returned to Wyred 4 Sound and becomes Wyred 4 Sound's property.

EXCLUSIONS AND LIMITATIONS

Wyred 4 Sound does not warrant that the operation of the product will be uninterrupted or error-free. Wyred 4 Sound is not responsible for damage arising from failure to follow instructions relating to the product's use. This warranty does not apply: (a) to damage caused by use with non-Wyred 4 Sound products; (b) to damage caused by accident, abuse, misuse, flood, fire, earthquake or other external causes; (c) to damage caused by operating the product outside the permitted or intended uses described by Wyred 4 Sound; (d) to damage caused by service (including upgrades and expansions) performed by anyone who is not a representative of Wyred 4 Sound or a Wyred 4 Sound Authorized Service Provider; (e) unauthorized removal of cover (f) to a product or part that has been modified to significantly alter functionality or capability without the written permission of Wyred 4 Sound; (f) if any Wyred 4 Sound serial number has been removed or defaced.

TO THE EXTENT PERMITTED BY LAW, THIS WARRANTY AND REMEDIES SET FORTH ABOVE ARE EXCLUSIVE AND IN LIEU OF ALL OTHER WARRANTIES, REMEDIES AND CONDITIONS, WHETHER ORAL OR WRITTEN, STATUTORY, EXPRESS OR IMPLIED. AS PERMITTED BY APPLICABLE LAW, WYRED 4 SOUND SPECIFICALLY DISCLAIMS ANY AND ALL STATUTORY OR IMPLIED WARRANTIES, INCLUDING, AND WITHOUT LIMITATION, WARRANTIES OF MERCHANTABILITY, FITNESS FOR A PARTICULAR PURPOSE AND WARRANTIES AGAINST HIDDEN OR LATENT DEFECTS. IF WYRED 4 SOUND CANNOT LAWFULLY DISCLAIM STATUTORY OR IMPLIED WARRANTIES THEN TO THE EXTENT PERMITTED BY LAW, ALL SUCH WARRANTIES SHALL BE LIMITED IN DURATION TO THE DURATION OF THIS EXPRESS WARRANTY AND TO REPAIR OR REPLACEMENT SERVICE AS DETERMINED BY WYRED 4 SOUND IN ITS SOLE DISCRETION EXCEPT AS PROVIDED IN THIS WARRANTY AND TO THE EXTENT PERMITTED BY LAW, WYRED 4 SOUND IS NOT RESPONSIBLE FOR DIRECT, SPECIAL, INCIDENTAL OR CONSEQUENTIAL DAMAGES RESULTING FROM ANY BREACH OF WARRANTY OR CONDITION, OR UNDER ANY OTHER LEGAL THEORY, INCLUDING BUT NOT LIMITED TO LOSS OF USE; LOSS OF REVENUE; LOSS OF ACTUAL OR ANTICIPATED PROFITS (INCLUDING LOSS OF PROFITS ON CONTRACTS); LOSS OF THE USE OF MONEY; LOSS OF ANTICIPATED SAVINGS; LOSS OF BUSINESS; LOSS OF OPPORTUNITY; LOSS OF GOODWILL; LOSS OF REPUTATION; LOSS OF, DAMAGE TO OR CORRUPTION OF DATA; OR ANY INDIRECT OR CONSEQUENTIAL LOSS OR DAMAGE HOWSOEVER CAUSED

INCLUDING THE REPLACEMENT OF EQUIPMENT AND PROPERTY, ANY COSTS OF RECOVERING, PROGRAMMING, OR REPRODUCING ANY PROGRAM OR DATA STORED OR USED WITH WYRED 4 SOUND PRODUCTS AND ANY FAILURE TO MAINTAIN THE CONFIDENTIALITY OF DATA STORED ON THE PRODUCT. THE FOREGOING LIMITATION SHALL NOT APPLY TO DEATH OR PERSONAL INJURY CLAIMS. WYRED 4 SOUND DISCLAIMS ANY REPRESENTATION THAT IT WILL BE ABLE TO REPAIR ANY PRODUCT UNDER THIS WARRANTY.

Obtaining Warranty Service

Please access and review the resources referred to in the documentation accompanying this hardware product before requesting warranty service. If the product is still not functioning properly after making use of these resources, please contact your Wyred 4 Sound representative. Wyred 4 Sound or its Wyred 4 Sound Authorized Service Providers will provide warranty service on products that are tendered or presented for service during the Warranty Period, as permitted by law. Wyred 4 Sound is not responsible for freight charges to our facility for warranty repairs. We will cover return freight charges (domestic only) if the unit is found to be faulty and still within the warranty coverage period. You will be responsible for delivery and return shipping and handling charges if the product cannot be serviced in the country it is in. In accordance with applicable law, Wyred 4 Sound may require that you furnish proof of purchase details and/or comply with registration requirements before receiving warranty service.

Service

In the event there is a problem with your Wyred 4 Sound component, first contact your dealer, distributor, or Wyred 4 Sound directly to discuss the issue before you return the component to our manufacturing facilities for repair.

Products shipped to the factory will be refused and returned freight collect if not accompanied by a Wyred 4 Sound Service Department issued return authorization number (RA Number).

Wyred 4 Sound

Phone: +1 (805) 466-9973

Fax: +1 (805) 462-8962

Email: support@wyred4sound.com

Website: wyred4sound.com

Office hours: Mon - Thurs: 7am - 4:30pm. Fri: 7am - 11am, PST

Service procedure

1. Contact your dealer or Wyred 4 Sound to discuss the issue(s)
2. If repair is deemed necessary, fill out the online Service form at wyred4sound.com/support/service-request
3. After the form is received, Wyred 4 Sound Service Department will email you an RA number and instructions.
4. Write the RA number on the outside box. Insure and accept all liability for loss or damage to the product during shipment to the Wyred 4 Sound factory and ensure all freight (shipping) charges are prepaid.

The product may also be hand delivered to the California facility if arrangements with the Service Department have been made in advance. Proof of purchase from an authorized Wyred 4 Sound dealer, distributor or agent will be required for warranty validation at the time of hand delivery. Use of the original packaging to ensure the safe transit of the product is strongly recommended. To purchase additional packaging if needed, please contact your authorized Wyred 4 Sound dealer, distributor, or the Wyred 4 Sound Service Department for assistance.

Voltage changes to match your country's voltage and frequency requirements to your Wyred 4 Sound product are possible only at the time of purchase. The SX-1000R amplifier is set to a fixed voltage to match your country's requirements and may not be easily changed. Should voltage change be required, contact Wyred 4 Sound.



Wyred 4 Sound

4235 Traffic Way
Atascadero, CA 93422
USA

Ph: +1 (805) 466-9973
Fax: +1 (805) 462-8962
Website: wyred4sound.com
Email: support@wyred4sound.com

**Be sure to sign up for our newsletter to receive the latest news and updates!
See the “Wyred In” section in the footer of our website.**

Follow us on Facebook: facebook.com/wyred4sound

Follow us on Twitter: twitter.com/Wyred4Sound