



W Y R E D 4 S O U N D

ISO

RECOVERY

USB Reclocker

USER GUIDE



Table of Contents

| | |
|---|-----|
| READ FIRST: Important..... | 2 |
| Package Contents..... | 2 |
| About the ISO Recovery USB Reclocker..... | 2 |
| Connectivity and Usage..... | 3 |
| Specifications..... | 4 |
| Warranty and Exclusions..... | 4-5 |
| Service..... | 5-6 |

IMPORTANT

Please read the entire manual before connecting this product to any existing components or power. This manual contains information regarding the usage and features of the Wyred 4 Sound ISO Recovery USB reclocker. Damage due to misuse or improperly following instructions will not be covered under warranty. See “Warranty” for an in depth understanding of the warranty restrictions regarding this product.

Package Contents

1. ISO Recovery unit
2. 5V Power supply unit
3. USB A to B cable
4. USB A to B adaptor



About the ISO Recovery USB Reclocker

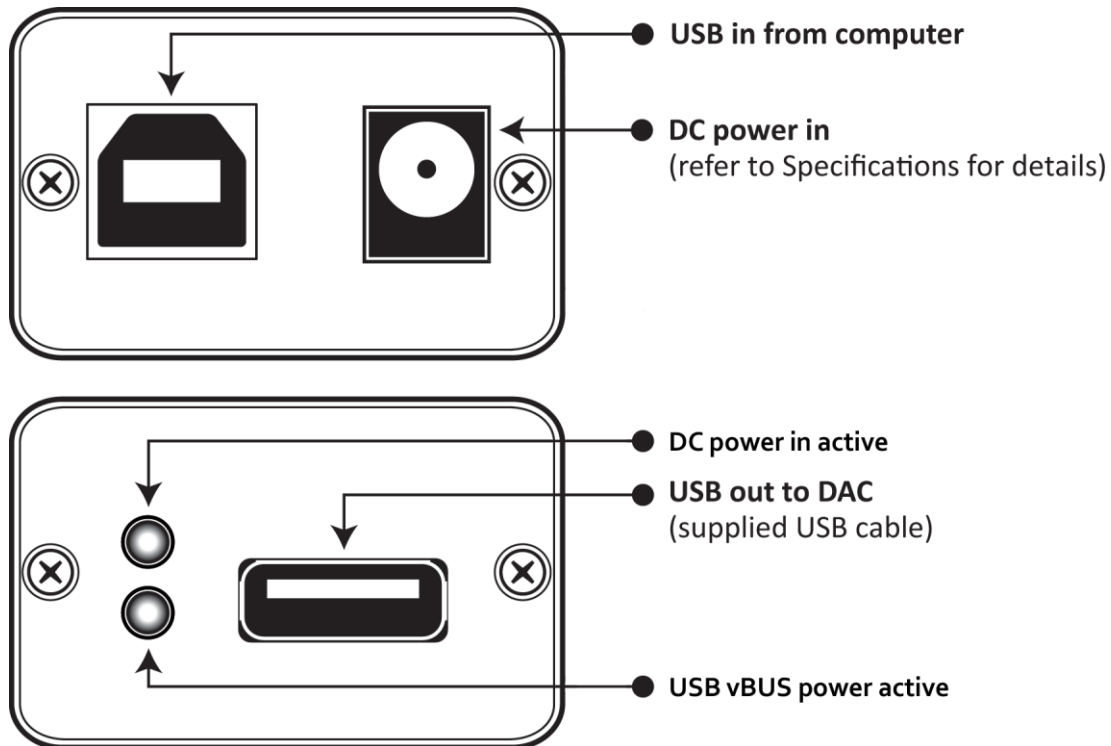
Based on experience and popularity of our highly successful (original) Recovery USB reclocker, we are delighted to raise the bar once again! Taking such a wonderful product as a base for something better is never an easy task.

The new ISO Recovery corrects the USB feed to your audio components through USB signal generation similar to the original Recovery but also includes grounding isolation. We can't express the importance of separating the ground paths; breaking the connection is imperative to reducing source component noise from reaching your speakers. The ISO Recovery comes with an external power supply to power your connected devices but you have the option to purchase and use a better supply for even further improvements. Adding the ISO Recovery in your USB chain will add another level of performance and optimize the feed so you can extract even more from your system. We thought we did a great job coming up with a value product, but this one again reminds us what can be had for minimal cost and should be included in every system!

Connectivity

The ISO Recovery is very straightforward to use.

1. Place in close proximity to your DAC (so that the included USB cable reaches)
2. Connect the included external power supply; plug the AC plug into the wall
3. Connect the included USB cable from the ISO Recovery USB output to your DAC input
4. Connect your existing USB cable from your computer/USB device output to the ISO Recovery USB input



Usage

Once connected as above, simply play music via USB as you normally would. No driver is necessary.

There are two status lights on the side. From top to bottom:

1. **DC power in active:** When lit, indicates DC power is applied to the unit. A 5v source is needed and higher voltages will be unusable.
2. **USB vBUS power active:** If lit, the ISO Recovery is receiving a power from the USB source to power the front end of the circuit. If your USB cable has the vBUS connection removed, it will not work.

Burn in time is suggested at ~50 hours. Enjoy your ISO Recovery and the benefits of a clean USB signal and much lower noise floor for your noticeably improved sonic quality!

Specifications

- 2.6" x 1.7" x 0.9" (L x W x H)
 - DC tested safe range: 5v
 - DC plug dimensions: 5.5mm x 2.1mm, positive polarity
 - Max supplied output to device: 500mA
-

Warranty coverage

Wyred 4 Sound's warranty obligations are limited to the terms set forth below:

Wyred 4 Sound, as defined below, warrants this Wyred 4 Sound-branded hardware product against defects in materials and workmanship under normal use for a period of FIVE (5) YEARS from the date of retail purchase by the original end user purchaser ("Warranty Period"). If the product has been transferred from the original owner to a second hand owner it has a ONE (1) YEAR warranty, valid from the original date of purchase by the original owner. If a hardware defect arises and a valid claim is received within the Warranty Period, at its option, Wyred 4 Sound will either (1) repair the hardware defect at no charge, using new or refurbished replacement parts, or (2) exchange the product with a product that is new or which has been manufactured from new or serviceable used parts and is at least functionally equivalent to the original product. Wyred 4 Sound may option that you replace defective parts with new or refurbished user-installable parts that Wyred 4 Sound provides in fulfillment of its warranty obligation. A replacement product or part, including a user-installable part that has been installed in accordance with instructions provided by Wyred 4 Sound, assumes the remaining warranty of the original product or ninety (90) days from the date of replacement or repair, whichever provides longer coverage for you. When a product or part is exchanged, any replacement item becomes your property and the replaced item becomes Wyred 4 Sound's property. Parts provided by Wyred 4 Sound in fulfillment of its warranty obligation must be used in products for which warranty service is claimed. When a refund is given, the product for which the refund is provided must be returned to Wyred 4 Sound and becomes Wyred 4 Sound's property.

EXCLUSIONS AND LIMITATIONS

Wyred 4 Sound does not warrant that the operation of the product will be uninterrupted or error-free. Wyred 4 Sound is not responsible for damage arising from failure to follow instructions relating to the product's use. This warranty does not apply: (a) to damage caused by use with non-Wyred 4 Sound products; (b) to damage caused by accident, abuse, misuse, flood, fire, earthquake or other external causes; (c) to damage caused by operating the product outside the permitted or intended uses described by Wyred 4 Sound; (d) to damage caused by service (including upgrades and expansions) performed by anyone who is not a representative of Wyred 4 Sound or a Wyred 4 Sound Authorized Service Provider; (e) to a product or part that has been modified to significantly alter functionality or capability without the written permission of Wyred 4 Sound; (f) if any Wyred 4 Sound serial number has been removed or defaced.

TO THE EXTENT PERMITTED BY LAW, THIS WARRANTY AND REMEDIES SET FORTH ABOVE ARE EXCLUSIVE AND IN LIEU OF ALL OTHER WARRANTIES, REMEDIES AND CONDITIONS, WHETHER ORAL OR WRITTEN, STATUTORY, EXPRESS OR IMPLIED. AS PERMITTED BY APPLICABLE LAW, WYRED 4 SOUND SPECIFICALLY DISCLAIMS ANY AND ALL STATUTORY OR IMPLIED WARRANTIES, INCLUDING, AND WITHOUT LIMITATION, WARRANTIES OF MERCHANTABILITY, FITNESS FOR A PARTICULAR PURPOSE AND WARRANTIES AGAINST HIDDEN OR LATENT DEFECTS. IF WYRED 4 SOUND CANNOT LAWFULLY DISCLAIM STATUTORY OR IMPLIED WARRANTIES THEN TO

THE EXTENT PERMITTED BY LAW, ALL SUCH WARRANTIES SHALL BE LIMITED IN DURATION TO THE DURATION OF THIS EXPRESS WARRANTY AND TO REPAIR OR REPLACEMENT SERVICE AS DETERMINED BY WYRED 4 SOUND IN ITS SOLE DISCRETION EXCEPT AS PROVIDED IN THIS WARRANTY AND TO THE EXTENT PERMITTED BY LAW, WYRED 4 SOUND IS NOT RESPONSIBLE FOR DIRECT, SPECIAL, INCIDENTAL OR CONSEQUENTIAL DAMAGES RESULTING FROM ANY BREACH OF WARRANTY OR CONDITION, OR UNDER ANY OTHER LEGAL THEORY, INCLUDING BUT NOT LIMITED TO LOSS OF USE; LOSS OF REVENUE; LOSS OF ACTUAL OR ANTICIPATED PROFITS (INCLUDING LOSS OF PROFITS ON CONTRACTS); LOSS OF THE USE OF MONEY; LOSS OF ANTICIPATED SAVINGS; LOSS OF BUSINESS; LOSS OF OPPORTUNITY; LOSS OF GOODWILL; LOSS OF REPUTATION; LOSS OF, DAMAGE TO OR CORRUPTION OF DATA; OR ANY INDIRECT OR CONSEQUENTIAL LOSS OR DAMAGE HOWSOEVER CAUSED INCLUDING THE REPLACEMENT OF EQUIPMENT AND PROPERTY, ANY COSTS OF RECOVERING, PROGRAMMING, OR REPRODUCING ANY PROGRAM OR DATA STORED OR USED WITH WYRED 4 SOUND PRODUCTS AND ANY FAILURE TO MAINTAIN THE CONFIDENTIALITY OF DATA STORED ON THE PRODUCT. THE FOREGOING LIMITATION SHALL NOT APPLY TO DEATH OR PERSONAL INJURY CLAIMS. WYRED 4 SOUND DISCLAIMS ANY REPRESENTATION THAT IT WILL BE ABLE TO REPAIR ANY PRODUCT UNDER THIS WARRANTY.

Obtaining warranty service

Please access and review the resources referred to in the documentation accompanying this hardware product before requesting warranty service. If the product is still not functioning properly after making use of these resources, please contact the Wyred 4 Sound representatives or, if applicable, a Wyred 4 Sound Authorized Service Provider/dealer using the information provided on the Wyred 4 Sound website. A Wyred 4 Sound representative or Wyred 4 Sound Authorized Service Provider will help determine whether your product requires service, and if it does will inform you how Wyred 4 Sound will provide it. Wyred 4 Sound or its Wyred 4 Sound Authorized Service Providers will provide warranty service on products that are tendered or presented for service during the Warranty Period, as permitted by law. Wyred 4 Sound is not responsible for freight charges to our facility for warranty repairs. We will cover return freight charges (domestic only) if the unit is found to be faulty and still within the warranty coverage period. You will be responsible for delivery and return shipping and handling charges if the product cannot be serviced in the country it is in. In accordance with applicable law, Wyred 4 Sound may require that you furnish proof of purchase details and/or comply with registration requirements before receiving warranty service. Please refer to the Service page on the Wyred 4 Sound website. For more details on this and other matters on obtaining warranty service contact your dealer. Recovery and reinstallation of system and application software and user data are not covered under this Limited Warranty.

Service

In the unlikely event there is a problem with your Wyred 4 Sound component, please contact your dealer, distributor, or Wyred 4 Sound to discuss the problem before you return the component to our manufacturing facility for repair. Products shipped to the factory will be refused and returned freight collect if not accompanied by a Wyred 4 Sound Service Department issued return authorization number (RA Number). Return authorization numbers must be prominently displayed on the outside of the box and an accompanying letter describing the problem and re-listing the RA number must be inside the box to qualify for service.

To contact the Wyred 4 Sound Service Department:

Telephone: 805-466-9973

Hours: M/TH 7:00 am to 4:30 pm; Friday 7:00am to 11:00am PST

Fax: 805-462-8962

Email: support@wyred4sound.com

Website: www.wyred4sound.com

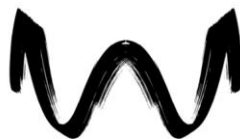
If you are located in the United States and purchased direct use the following procedure:

1. Fill out the Service form located on our website by clicking SUPPORT.
2. If service is approved we will issue a Return Authorization Number (R/A number) from the Wyred 4 Sound Service Department. Be sure to confirm the current shipping address.
3. Insure and accept all liability for loss or damage to the product during shipment to the W4S facility and ensure all freight (shipping) charges are prepaid.

The product may also be hand delivered to the California facility if arrangements with the Service Department have been made in advance. Proof of purchase from an authorized Wyred 4 Sound dealer, distributor or agent will be required for warranty validation at the time of hand delivery. Use the original packaging to ensure the safe transit of the product to the factory, dealer, or distributor. Wyred 4 Sound may, at its discretion, return a product in new packaging and bill the owner for such packaging if the product received by Wyred 4 Sound was boxed in nonstandard packaging or if the original packaging was so damaged to the point it was unusable. If Wyred 4 Sound determines that new packaging is required, the owner will be notified before the product is returned. To purchase additional packaging, please contact your authorized Wyred 4 Sound dealer, distributor, or the Wyred 4 Sound Service Department for assistance.

If you did not purchase the product directly from us and require service please contact your dealer or distributors' service department for information regarding service.

If you feel your authorized dealer or distributor is either unwilling or unable to service your Wyred 4 Sound products, please contact our service department by emailing support@wyred4sound.com or the above phone number to discuss and resolve the situation.



W Y R E D 4 S O U N D

Phone: +1 (805) 466-9973

Email: support@wyred4sound.com

Web: wyred4sound.com