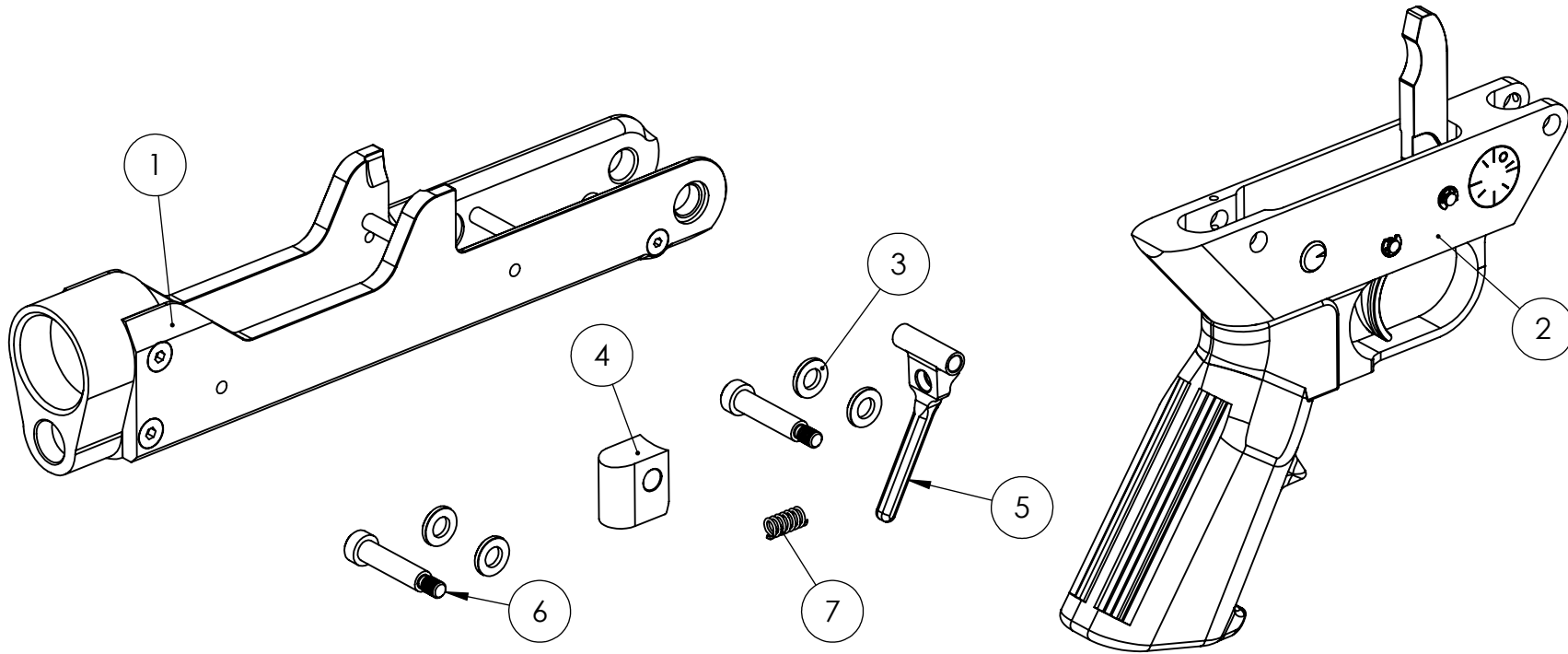


NOTES (UNLESS OTHERWISE SPECIFIED):

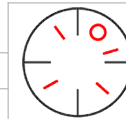
1. INTERPRET DRAWING PER ASME Y14.100
2. BREAK ALL SHARP EDGES R.010 MAX

ITEM NO.	PART NUMBER	DESCRIPTION	QTY.
1	R5050051	TRIGGER GROUP FRAME, RN-50	1
2	R5050500	TRIGGER HOUSING ASSY, RN-50	1
3	SHW077	WASHER, #12, NYLON	4
4	R5050150	SPRING BASE, RN-50	1
5	R5050031	LEVER, BARREL LATCH	1
6	SHW081	SCREW, SHOULDER, .250 x 10-24 x 1	2
7	SHW021	SPRING, COMPRESSION, .240 OD x .50 L x .042 WIRE	1



PROPRIETARY AND CONFIDENTIAL
 THE INFORMATION CONTAINED IN THIS
 DRAWING IS THE SOLE PROPERTY OF
 SERBU FIREARMS, INC. ANY
 REPRODUCTION IN PART OR AS A WHOLE
 WITHOUT THE WRITTEN PERMISSION OF
 SERBU FIREARMS, INC. IS PROHIBITED.

		UNLESS OTHERWISE SPECIFIED:		NAME	DATE
		DIMENSIONS ARE IN INCHES	DRAWN	M. SERBU	2/6/16
		TOLERANCES:	CHECKED		
		FRACTIONAL ±	ENG APPR.		
		ANGULAR: MACH ± BEND ±	MFG APPR.		
		TWO PLACE DECIMAL ± .01	Q.A.		
		THREE PLACE DECIMAL ± .005	COMMENTS:		
		INTERPRET GEOMETRIC TOLERANCING PER:			
		MATERIAL			
		FINISH			
NEXT ASSY	USED ON				
APPLICATION		DO NOT SCALE DRAWING			



SERBU FIREARMS, INC
TAMPA, FLORIDA

TITLE: **TRIGGER GROUP
 FRAME ASSEMBLY,
 RN-50**

SIZE	DWG. NO.	REV
A	R5050000	-

SCALE: 1:2 CAGE: 3PCF5 SHEET 1 OF 1