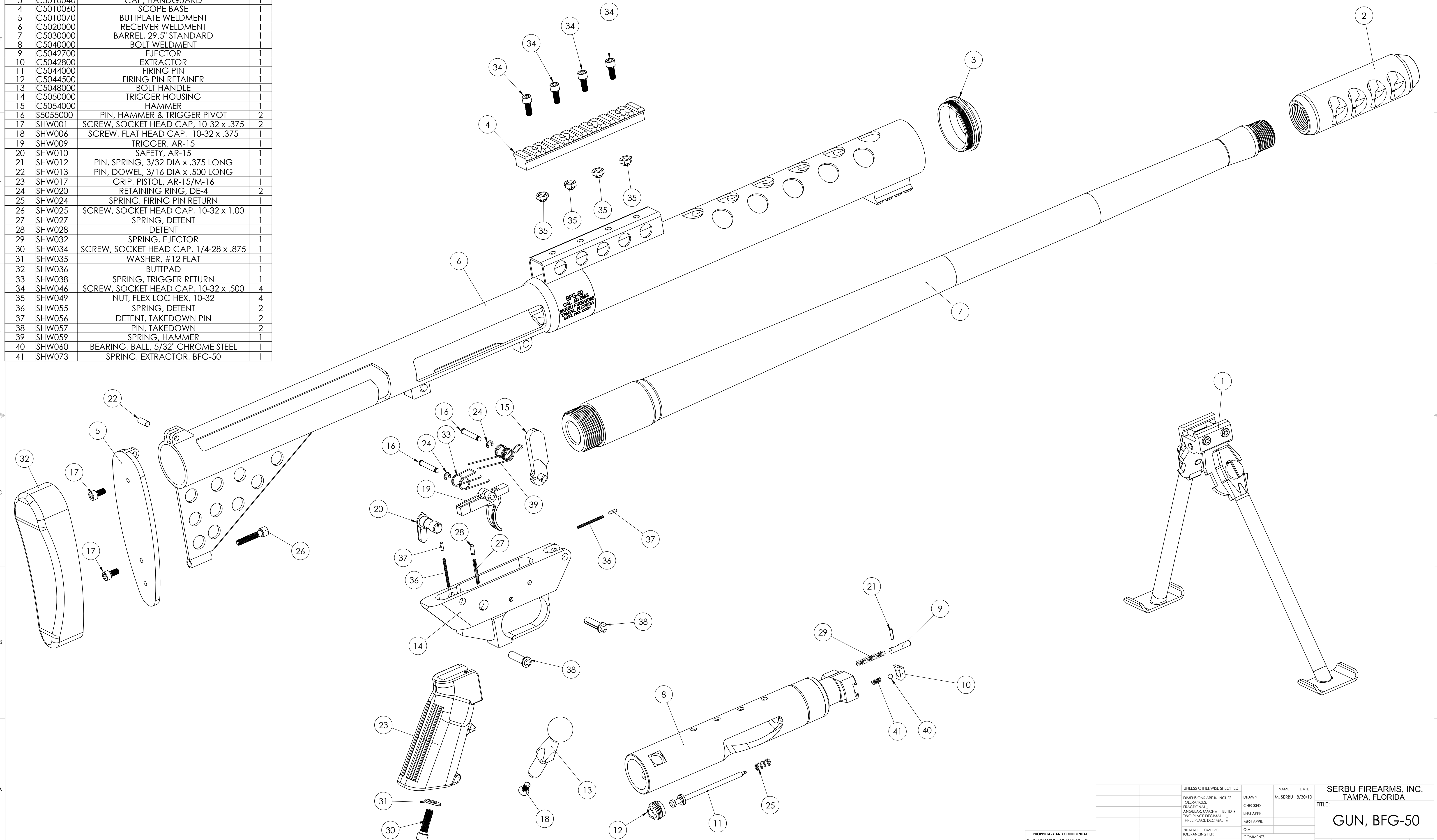


ITEM NO.	PART NO.	DESCRIPTION	QTY.
1	BPLP	BIPOD, STD, PICATINNY MOUNT	1
2	C5010020	MUZZLE BRAKE	1
3	C5010040	CAP, HANDGUARD	1
4	C5010060	SCOPE BASE	1
5	C5010070	BUTTPATE WELDMENT	1
6	C5020000	RECEIVER WELDMENT	1
7	C5030000	BARREL, 29.5" STANDARD	1
8	C5040000	BOLT WELDMENT	1
9	C5042700	EJECTOR	1
10	C5042800	EXTRACTOR	1
11	C5044000	FIRING PIN	1
12	C5044500	FIRING PIN RETAINER	1
13	C5048000	BOLT HANDLE	1
14	C5050000	TRIGGER HOUSING	1
15	C5054000	HAMMER	1
16	S5055000	PIN, HAMMER & TRIGGER PIVOT	2
17	SHW001	SCREW, SOCKET HEAD CAP, 10-32 x .375	2
18	SHW006	SCREW, FLAT HEAD CAP, 10-32 x .375	1
19	SHW009	TRIGGER, AR-15	1
20	SHW010	SAFETY, AR-15	1
21	SHW012	PIN, SPRING, 3/32 DIA x .375 LONG	1
22	SHW013	PIN, DOWEL, 3/16 DIA x .500 LONG	1
23	SHW017	GRIP, PISTOL, AR-15/M-16	1
24	SHW020	RETAINING RING, DE-4	2
25	SHW024	SPRING, FIRING PIN RETURN	1
26	SHW025	SCREW, SOCKET HEAD CAP, 10-32 x 1.00	1
27	SHW027	SPRING, DETENT	1
28	SHW028	DETENT	1
29	SHW032	SPRING, EJECTOR	1
30	SHW034	SCREW, SOCKET HEAD CAP, 1/4-28 x .875	1
31	SHW035	WASHER, #12 FLAT	1
32	SHW036	BUTTPAD	1
33	SHW038	SPRING, TRIGGER RETURN	1
34	SHW046	SCREW, SOCKET HEAD CAP, 10-32 x .500	4
35	SHW049	NUT, FLEX LOC HEX, 10-32	4
36	SHW055	SPRING, DETENT	2
37	SHW056	DETENT, TAKEDOWN PIN	2
38	SHW057	PIN, TAKEDOWN	2
39	SHW059	SPRING, HAMMER	1
40	SHW060	BEARING, BALL, 5/32" CHROME STEEL	1
41	SHW073	SPRING, EXTRACTOR, BFG-50	1



**PROPRIETARY AND CONFIDENTIAL**  
 THE INFORMATION CONTAINED IN THIS DRAWING IS THE SOLE PROPERTY OF SERBU FIREARMS, INC. ANY REPRODUCTION IN PART OR AS A WHOLE WITHOUT THE WRITTEN PERMISSION OF SERBU FIREARMS, INC. IS PROHIBITED.

UNLESS OTHERWISE SPECIFIED:		NAME	DATE	SERBU FIREARMS, INC. TAMPA, FLORIDA
DIMENSIONS ARE IN INCHES	FRACTIONAL ±	M. SERBU	8/30/10	
TOLERANCES:	ANGULAR MATCH ±			GUN, BFG-50
FRACTIONAL ±	BEND ±			
	TWO PLACE DECIMAL ±			SIZE DWG. NO.
	THREE PLACE DECIMAL ±			<b>D</b> BFG-50 PARTS
				SCALE: 1:1.5
				SHEET 1 OF 1
NEXT ASSY	USED ON	FINISH		
APPLICATION				