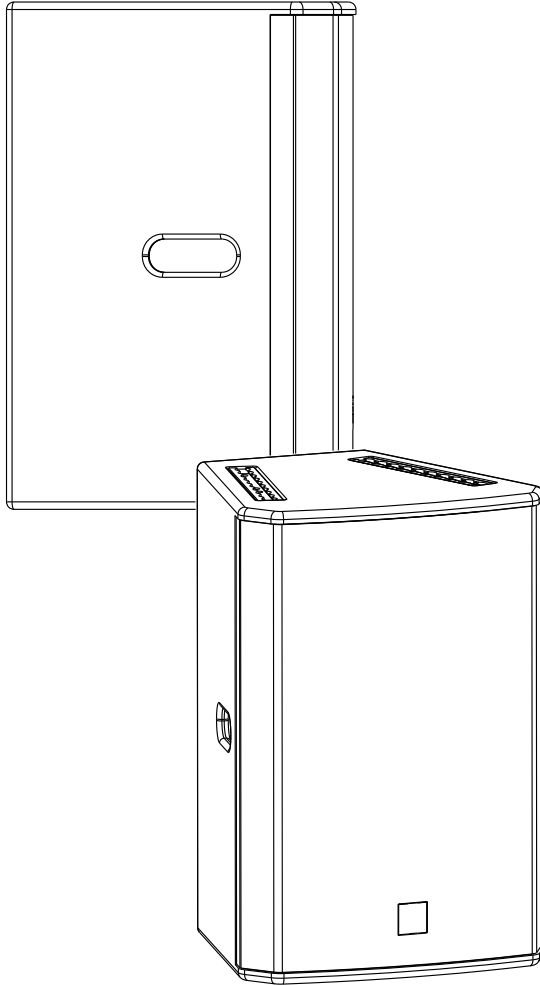


Professional

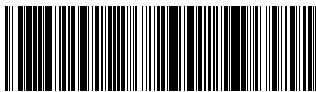
SOVIS



TS112aB

**12" Two Way Full Range
Active Speaker**

User Manual





UM-TS112aB-20190220 ver A



SAFETY INSTRUCTIONS

PLEASE READ THIS MANUAL FIRST

Thank you for a buying **SOVIS** product. Read this manual first as it will help you operate the system properly. Please keep this manual for future reference.

⚠ WARNING: *This product must be installed by professionals. When using hanging brackets or rigging other than those supplied with the product, please ensure they comply with the local safety codes.*

	CAUTION RISK OF ELECTRICAL SHOCK DO NOT OPEN	
CAUTION: TO REDUCE THE RISK OF ELECTRIC SHOCK, DO NOT REMOVE COVER (OR BACK). NO USER-SERVICABLE PARTS INSIDE. REFER SERVICING TO QUALIFIED PERSONNEL.		

	AVIS RISQUE DE CHOC ÉLECTRIQUE NE PAS OUVRIR	
ATTENTION : POUR RÉDUIRE LE RISQUE DE DÉCHARGE ÉLECTRIQUE, NE RETIREZ PAS LE COUVERCLE (OU L'ARRIÈRE). IL NE SE TROUVE À L'INTÉRIEUR AUCUNE PIÈCE POUVANT ÊTRE RÉPARÉE PAR L'USAGER. S'ADRESSER À UN RÉPARATEUR COMPÉTENT.		



The exclamation point within an equilateral triangle is intended to alert you to the presence of important operating and servicing instructions.

⚠ ATTENTION: *Don't refit the system or spare parts without being authorized as this will void the warranty.*

⚠ WARNING: *Don't place naked flames (such as candles) close to the equipment.*

1. Read the instruction manual first before using this product.
2. Please keep this manual for future reference
3. Pay attention to all warnings.
4. Obey all operating instructions.
5. Do not expose this product to rain or moisture.
6. Clean this equipment with a dry cloth.
7. Do not block any ventilation openings. Install according to manufacturer's instructions .
8. Do not install this product near any heat source, such as a, heater, burner, or any other equipment with heat radiation .
9. Only use spare parts supplied by the manufacturer.
10. Pay attention to the safety symbol on the outside of the cover.

CONTENT

INTRODUCTION 3

 Features 3

 Description 3

 Applications 3

AMPLIFIER MODULE 4

 Amplifier Module 4

INSTALLATION 5

 Mounting Accessories 5


 Installation Reference 5

TECHNICAL SPECIFICATION 6

 Technical Sheet 6

 Frequency Response And Impedance Curve 6

 2D Dimension 7

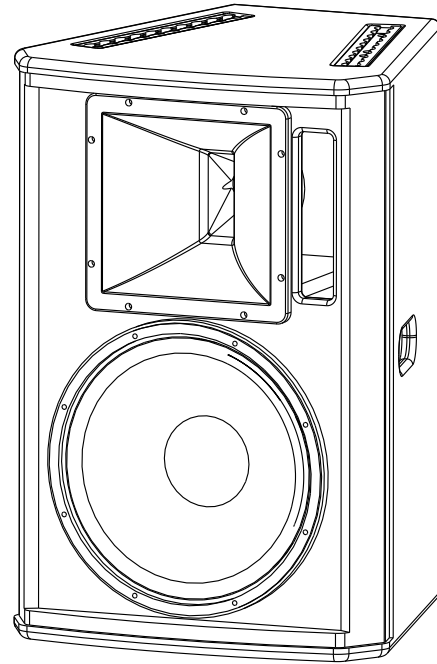
 Product information is subject to change without prior notification.

TS112aB

12" two way full range speaker

Features

- Phase reversed active speaker with 12" woofer and 3" compression driver.
- Amplifier module 300W for low frequency and 100W for high frequency.
- One Line/Mic XLR input connector.
One Line/Mic XLR output connector.
- Fly track rigging system.
- 35mm pole mount socket.
- Powder coated foam back grille.
- Painted using polyethylene textured technology.
- Extraordinary sound quality.



Description

TS112aB is a two way full range active speaker. It consists of one 12" transducer, one 3" compression driver and one two channel power amplifier module.

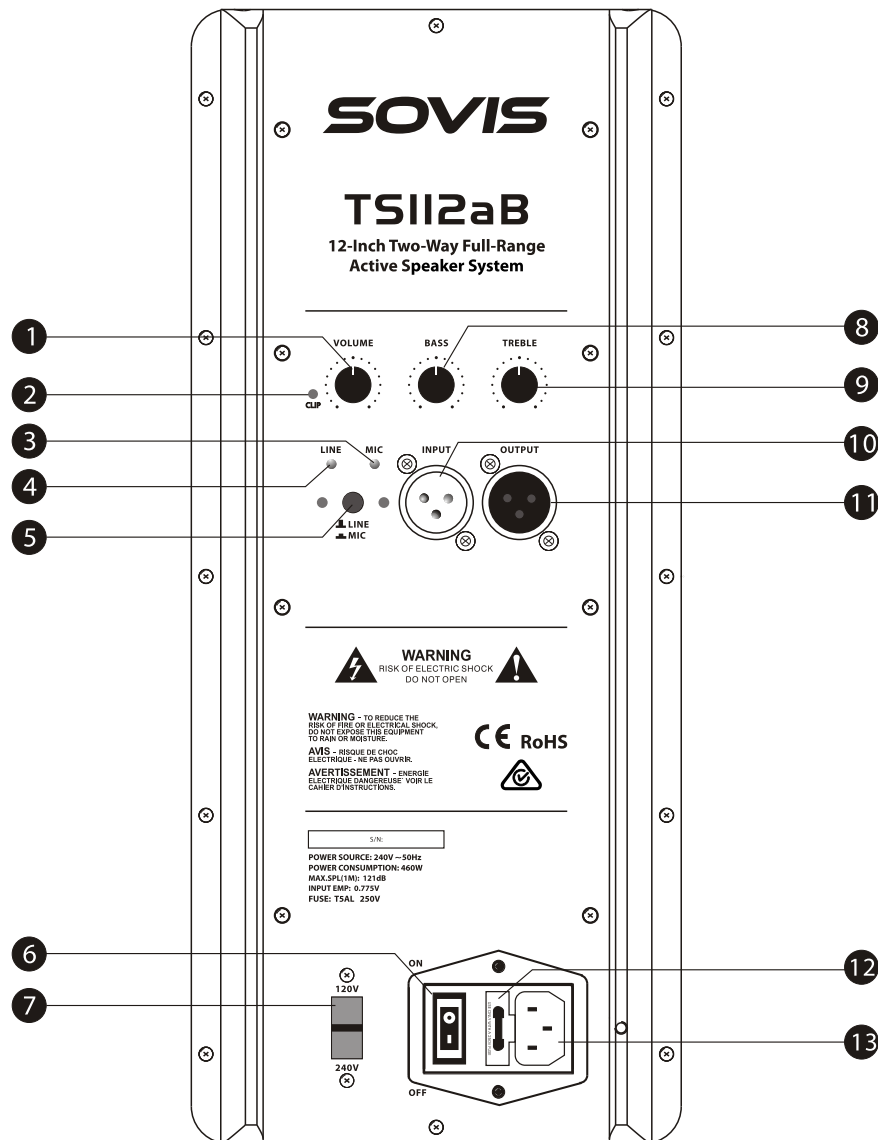
The wedge shaped cabinet is made from 15mm birch plywood, and painted with advanced environmental protection Polyurethane-based paint which is very rigid.

Powered coated foam back grille to assist with weatherproofing.

Applications

- Church
- Small Auditorium
- Conference room
- Small performance
- Multifunctional hall

AMPLIFIER MODULE



- | | |
|--|---|
| <ol style="list-style-type: none"> 1. Volume control. 2. Clip indicator. 3. Microphone input signal presence indicator. 4. Line input signal presence indicator. 5. Line/microphone selector. 6. Power ON/OFF switch. 7. 120V/240V voltage input selector. | <ol style="list-style-type: none"> 8. Bass control. 9. Treble control. 10. Line/microphone input. 11. Line/microphone output. 12. Protection fuse. Use only fuses of the correct amp rating. 13. Power supply input. Make sure that the voltage selector is set for your country's correct voltage. |
|--|---|

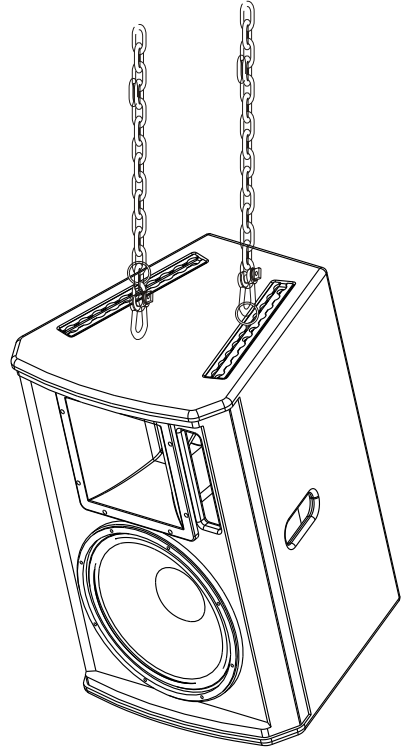
Mounting Accessories(Optional)

1. Speaker stand
SPS-502BC Black

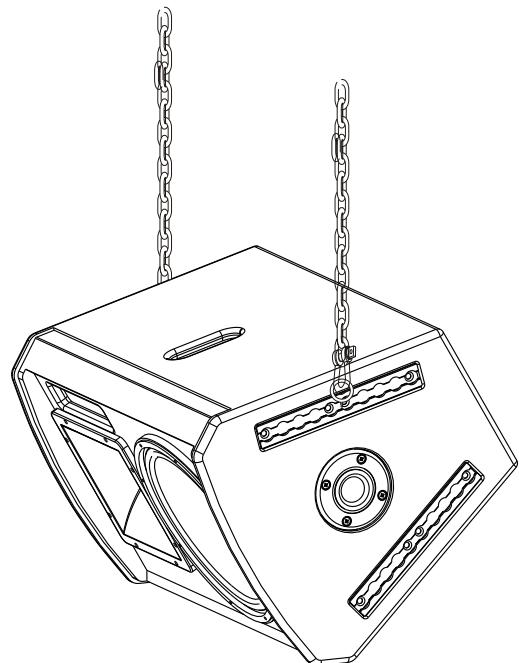


Installation Reference

1. Vertical flying mounting installation



2. Horizontal flying mounting installation



2. Standard flying mounting ring

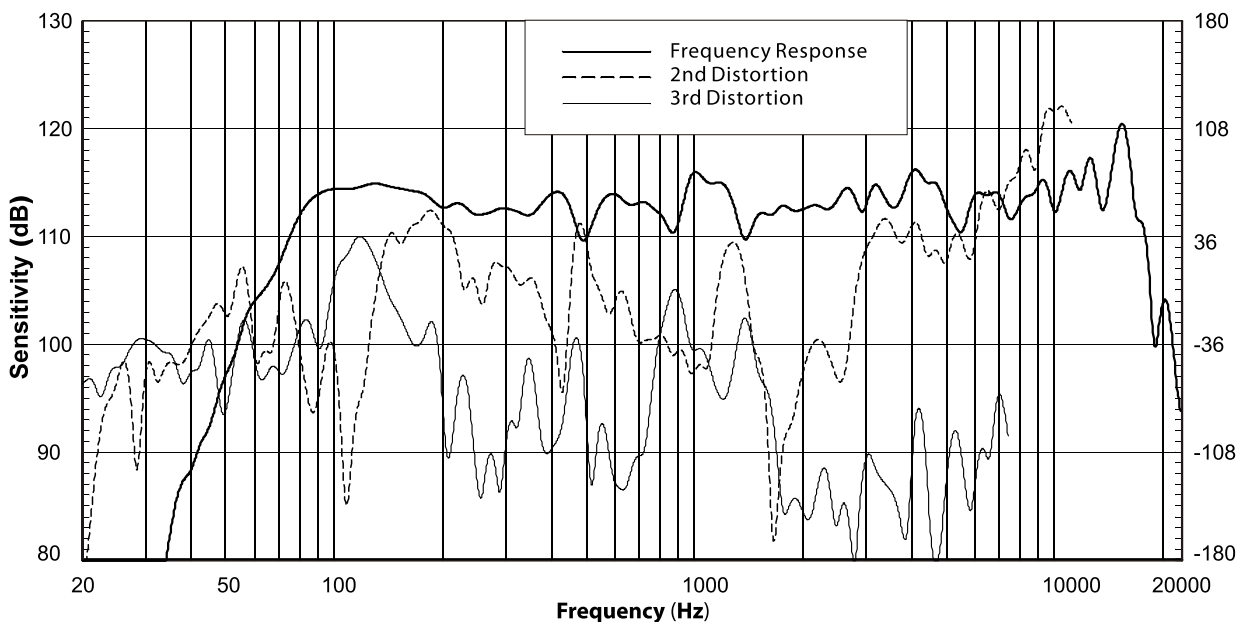


⚠ Warning: Make sure the mounting accessories safety factor not less than 5:1 or meet the local standard during installation .

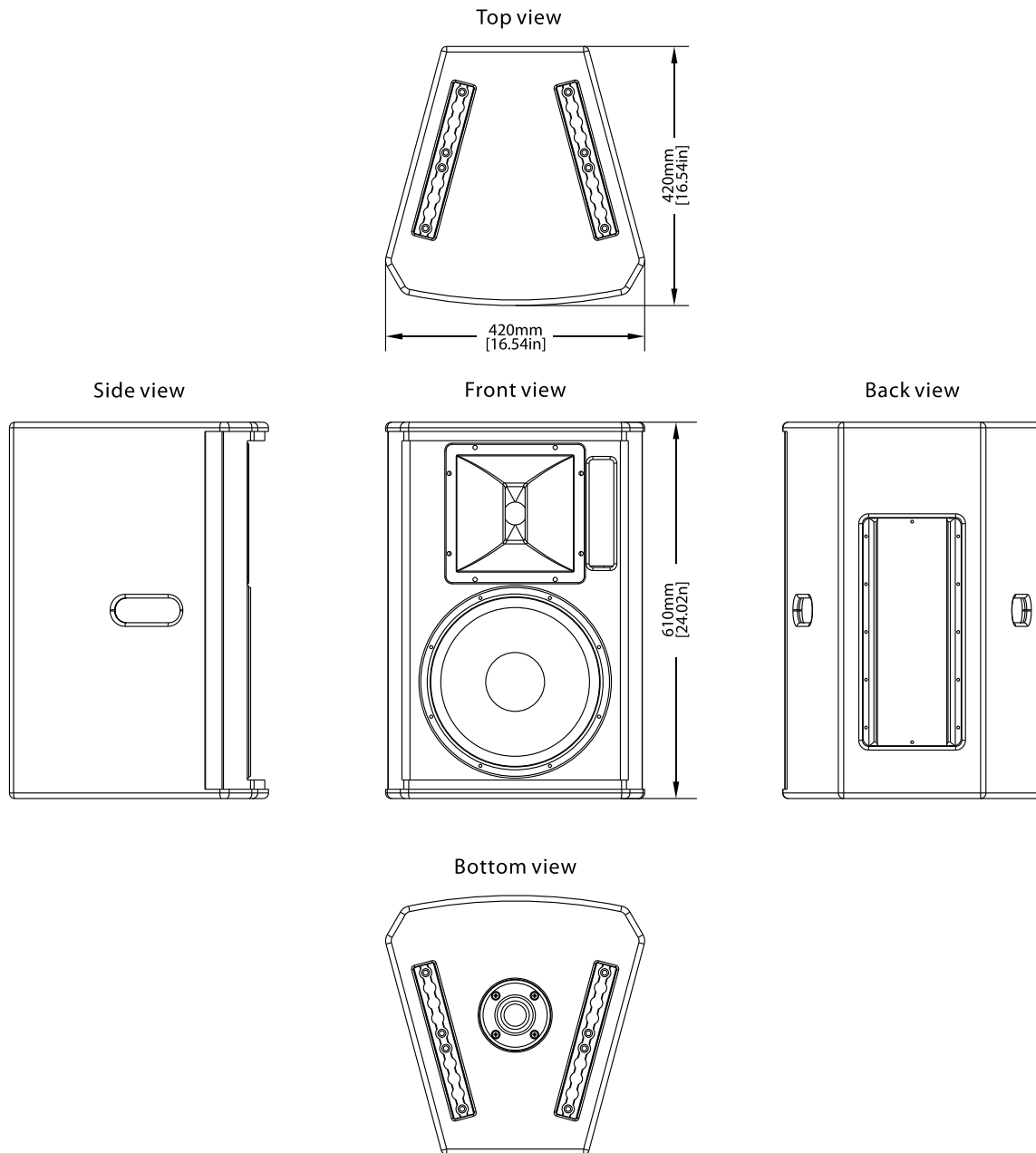
Specification

Frequency response(-3dB):	55Hz-16kHz
Max.SPL(1m):	121dB/127dB(PEAK)
Dispersion(H×V):	60°×40°
Transducer:	1× 12" Woofer 1× 3" Compression Driver
Connector:	6.35/XLR for input, XLR for output
Input:	One channel balanced input(line and MIC)
Input impedance(line):	20Kohm balanced input, 10Kohm unbalanced input
Input level:	0 dBV (0.775V rms, 1.0V peak)Line-100Hz
Input overloading level:	Maximum input level 6V peak
Wire connection:	pin 1: ground; pin2: signal +; pin3: signal -
Heat radiation:	Forced air-cooled drives
Power cable:	IEC
Safety voltage range:	240V+/-10% AC (IN 240V)
Power supply consumption power(static) :	19W
Power supply consumption power(dynamic) :	460W
Cabinet:	Plywood,wedge shaped
Flying/ Mounting accessories:	Standard flying hardware
Handle:	2× Wooden handles
Painting:	Cabinet coated by Polyurethane paint; grille is powder coated
Cabinet dimension(W×D×H):	420×420×610mm(16.5×16.5×24.0in)
Packing dimension(W×D×H):	535×535×735mm(21.1×21.1×28.9in)
Net weight:	29kg(63.8 lb)
Gross weight:	31kg(68.2 lb)

Frequency response curve & Impedance curve



2D Dimension



Notes:

SOVIS

www.sovis.com.sg