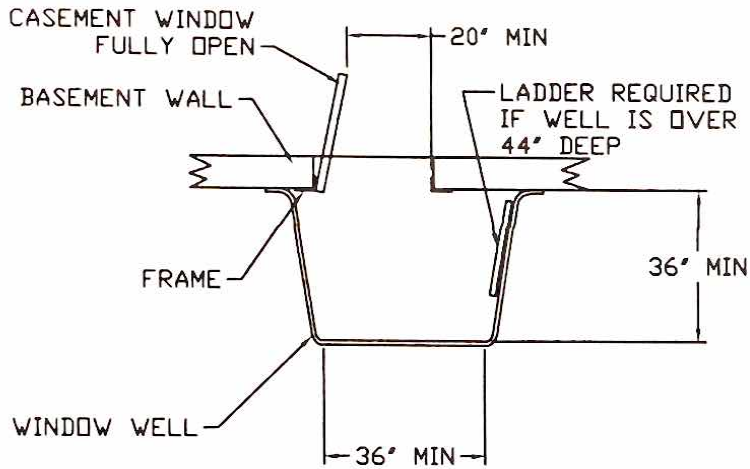


WINDOW WELL DETAIL



PATENT ON FRAME

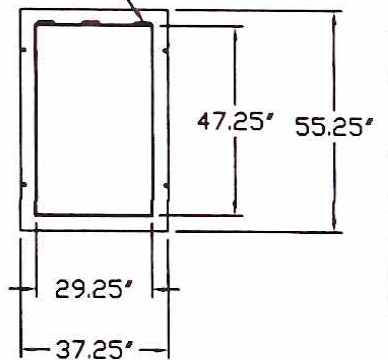
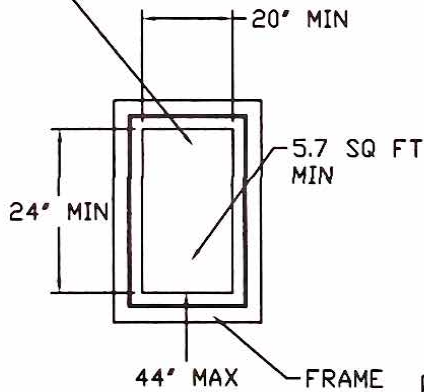
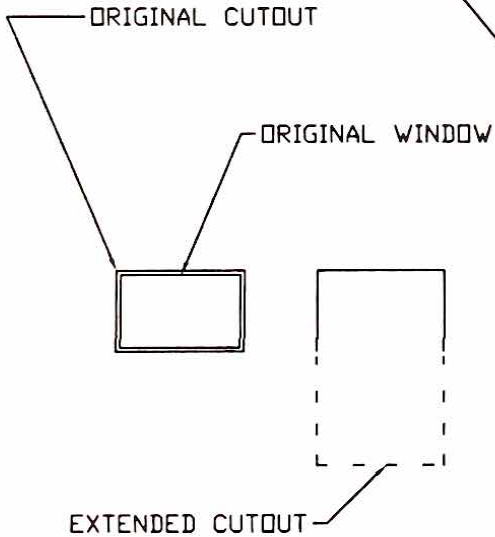
4" X 4" X 1/4" WELDED STEEL FRAME. INSERT FRAME INTO CONCRETE FROM OUTSIDE AND SEAL FLANGES WITH RESILIENT SEALER. ATTACH TO CONCRETE WITH 1/4" CONCRETE FASTENERS.



END VIEW OF FRAME

26" X 44" OPENING CASEMENT WINDOW, OR EQUIVALENT

WHEN NECESSARY USE MULTIPLE SETS OF 4" LONG STEEL SHIMS TOTALING 12" IN WIDTH BETWEEN FRAME AND ORIGINAL WINDOW FRAME, OR FRAME AND CONCRETE, TO FORCE BOTTOM OF NEW FRAME AGAINST BOTTOM OF CONCRETE CUTOUT, OR BETWEEN BOTTOM OF FRAME AND CONCRETE.



FACE VIEW OF FRAME

FLOOR EGRESS WINDOW DETAIL

KEEP TOP AND SIDES OF ORIGINAL WINDOW FRAME IN PLACE. DO NOT CHANGE OR REMOVE ANY FOUNDATION WALL OR STRUCTURAL FRAMING ABOVE WINDOW

THIS DESIGN MEETS THE FOLLOWING REQUIREMENTS

1. MEETS 2018 IRC
2. 136 mph ASD EXP C WIND
3. 3 sec. GUSTS
4. ROOF SNOW LOAD 30 lb./sq ft
5. GROUND SNOW LOAD 42.9 lb./sq ft
6. SEISMIC DESIGN CATEGORY B

BASEMENT EGRESS WINDOW DETAILS

SIZE A	OWNER XXX	DWG NO. AS-001	REV 0
SCALE NONE		SHEET 1 OF 1	