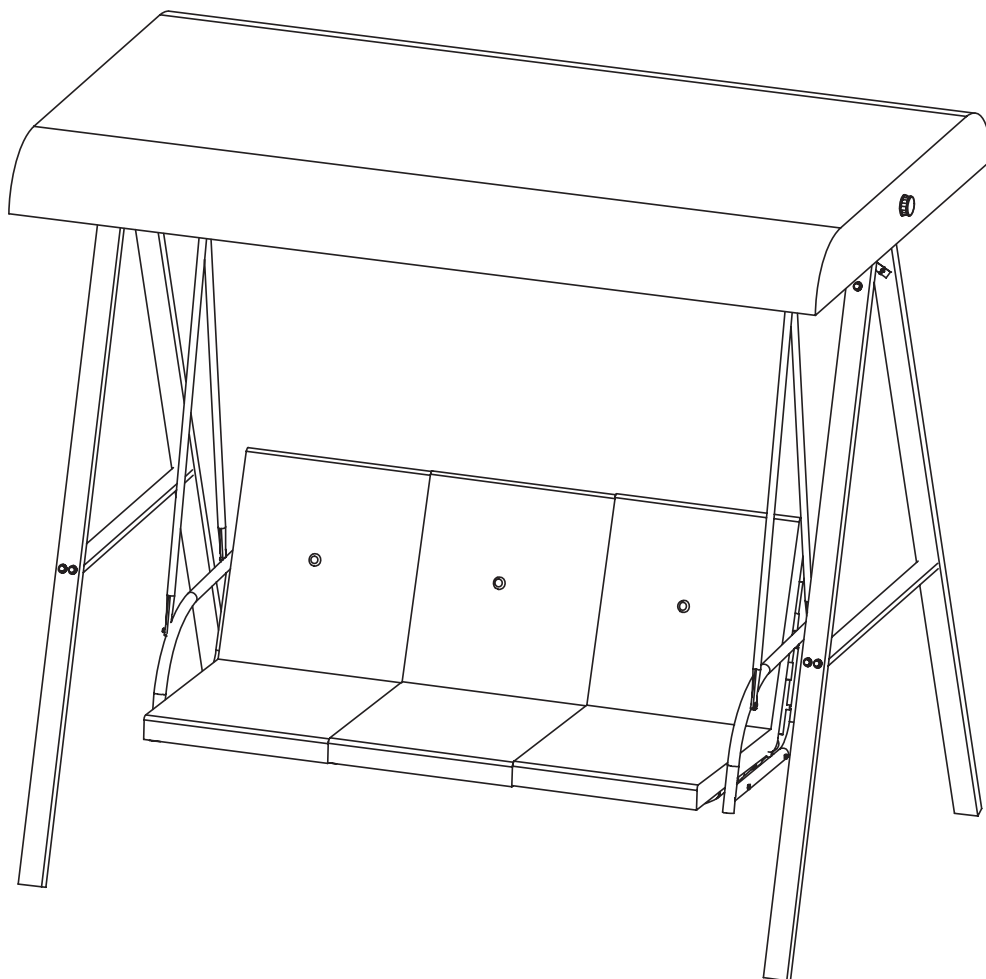


3 Person Cushion Swing
ASSEMBLY INSTRUCTIONS
ITEM# MS12-092-021-07

ATTENTION: THIS PRODUCT IS NOT FOR COMMERCIAL USE

INTENDED FOR RESIDENTIAL USE ONLY.

Questions, problems, missing parts with this product? Do not return to your retailer, please call our customer service department 9:00 a.m. to 5:00 p.m. Eastern Standard Time Monday through Friday Phone # 1-800-457-4652. contact us at www.numarkpatio.com.



DON'T RETURN TO STORE

WARNINGS AND CAUTIONS

- * It is essential to place the swing on level ground and not less than 6 feet from any obstruction such as fences, garages, the house, overhanging branches, laundry lines, or electrical wires.
- * Make sure the suspension springs are always properly hooked before each use.
- * Oil all metallic moving parts during usage season.
- * Always remove the canopy in heavy wind conditions, otherwise the canopy may tip over and may cause damage to its parts.
- * The user of this swing should always inspect it before each use.
- * Do not discard any of the packaging until you have checked that you have all the parts and pack of fittings.
- * Check all nuts and bolts for tightness before and during usage season.
- * Keep children away during assembly. This item contains small parts which can be swallowed by children. Children should always be under direct adult supervision while using the produce.
- * The manufacturer will not accept responsibility for unauthorized repair or modifications to the swing.
- * Retain the assembly instructions for future reference.
- * Weight limit 600 lbs.





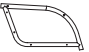



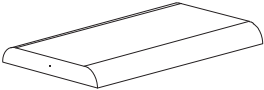
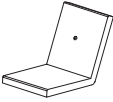


CLEANING AND MAINTENANCE

- Wash frame parts and fabric with mild soap and water, rinse thoroughly. Dry frame completely and allow the fabric to drip dry.
- Do not use bleach, acid, or other solvents on the fabric or frame parts.
- In order to prolong the life and beauty of your swing, we recommend that the swing be stored in a dry area when not in use. (For example, overnight or on rainy days)
- Please inspect and tighten all bolts or fasteners on a regular basis to ensure proper performance and safety of your swing.




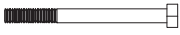


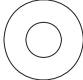








DON'T RETURN TO STORE


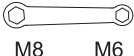
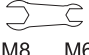


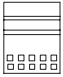
Remove all components from the polybag and unwrap all package materials. Please count the components, there are:

NO.	Part	Description	Quantity
A		Top Frame Bar	1
B		Leg	4
C		Leg Crossbar	2
D1	 right	Right Arm	1
D2	 left	Left Arm	1
E		Seat and Back	1
F		Hanging Bar	4
G		Canopy Connection Bar	2
H		Canopy	1
I		Seat and Back Cushion	3
J1	 M6x15L	M6x15L Bolt	4
J2	 M6x80L	M6x80L Bolt	4



NO.	Part	Description	Quantity
J3	 M8x45L	M8x45L Bolt	8
J4	 M8x50L	M8x50L Bolt	4
J5	 M8x55L	M8x55L Bolt	2
J6	 M8x85L	M8x85L Bolt	4
J7	 M8x105L	M8x105L Bolt	4
J8	 M6	M6 Metal Washer	12
J9	 M8	M8 Metal Washer	36
J10	 M6	M6 Nut	4
J11	 M8	M8 Nut	14
J12	 M6x13mm	M6 Plastic Washer	4
J13	 M8x9mm	M8 Plastic Washer	4
J14		Support Triangle	2
J15		Hook	2

 **STOP DON'T RETURN TO STORE**

NO.	Part	Description	Quantity
J16	 M10x60L	Knob	2
J17	 M8 M6	Hex Wrench	2
J18	 M8 M6	Open Hex Wrench	2
J19	 4mm	Allen Wrench	1
J20		Touch-up Paint	1
J21		Instructions Sheet	1


STOP DON'T RETURN TO STORE

Step1

J7x4



M8x105L

J9x8

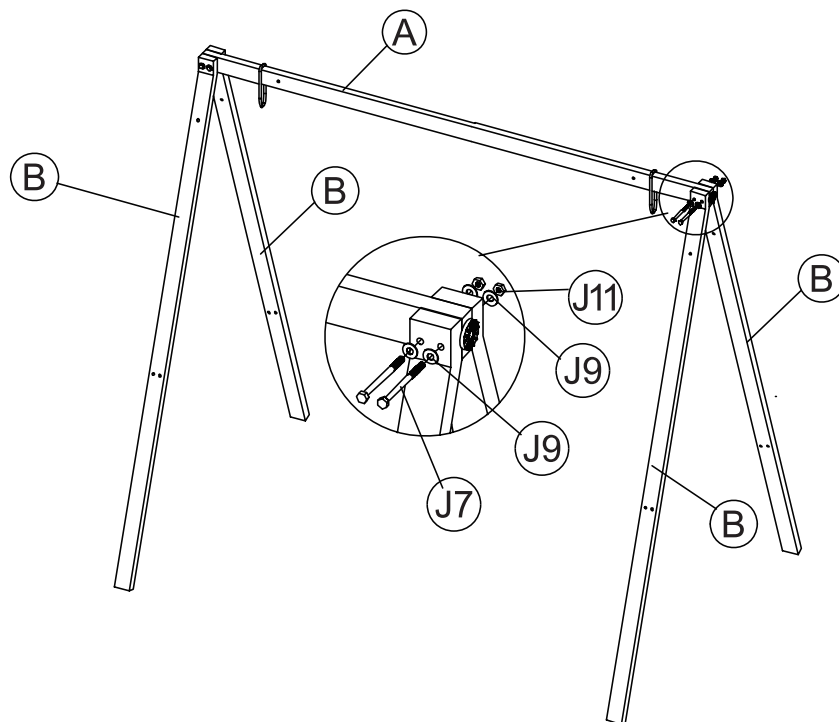


M8

J11x4



M8



1. Align the top frame bar (A) with leg (B), and attach them with bolt (J7), metal washer (J9), nut (J11).

Note: Please don't tighten the bolts fully at this step.



DON'T RETURN TO STORE

Step2

J3x8

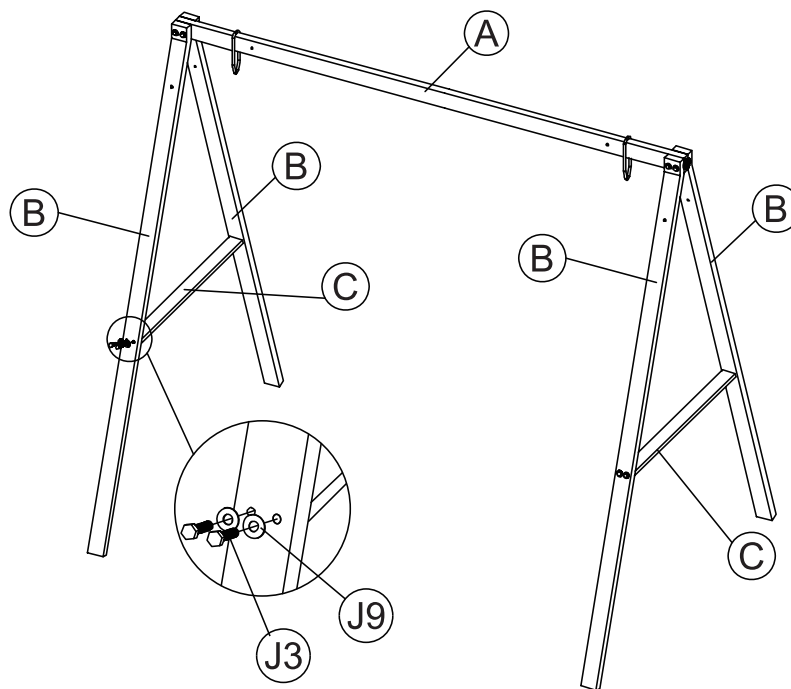


M8x45L

J9x8



M8

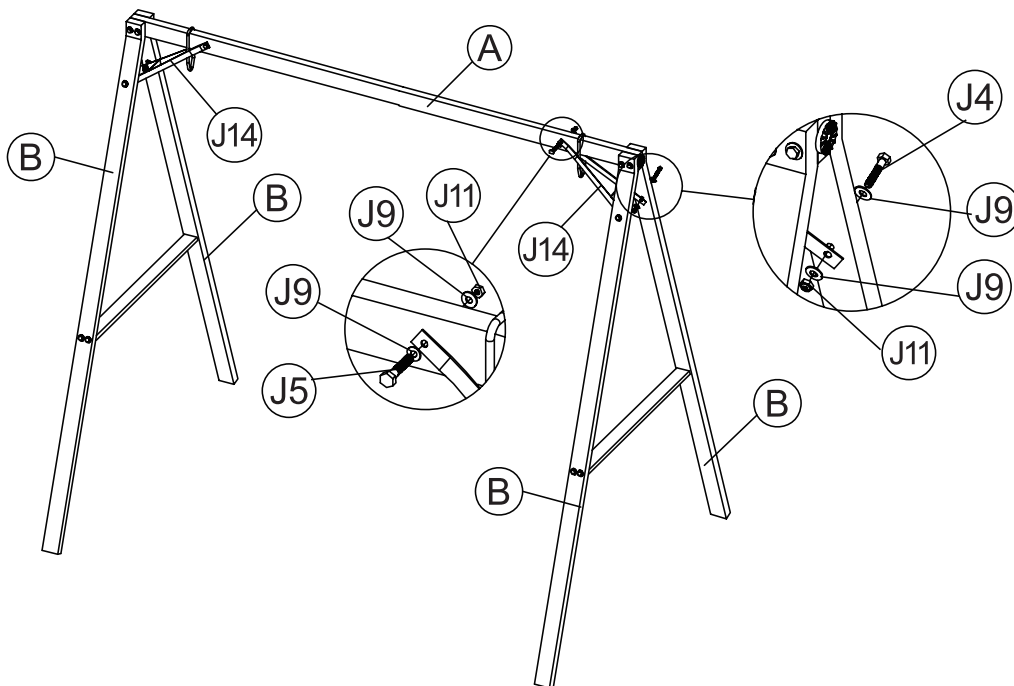
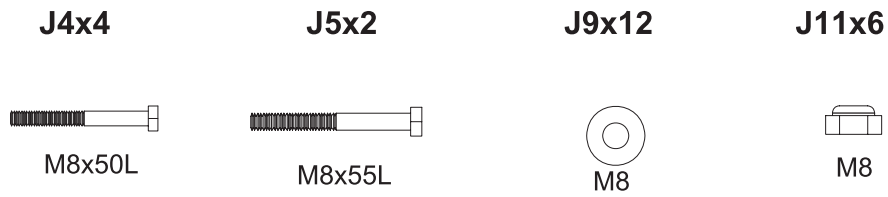


1. Align the leg (B) with leg crossbar (C), and attach them with the bolt (J3) ,metal washer (J9).

Note: Please don't tighten the bolts fully at this step.



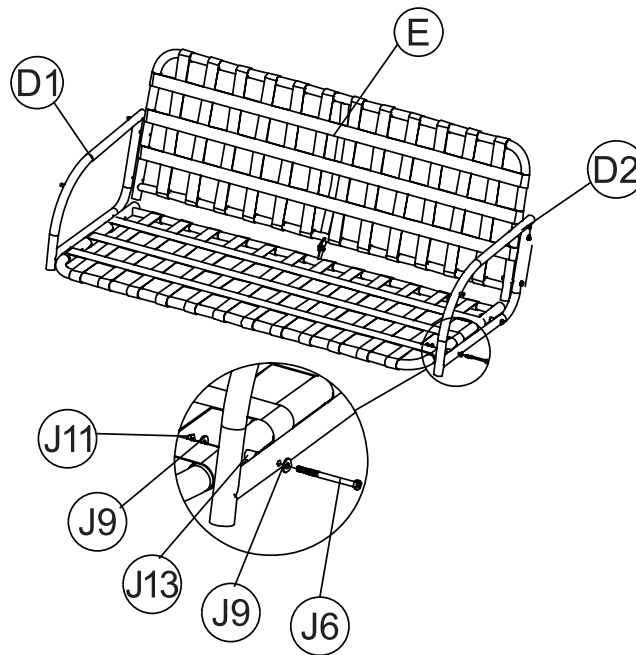
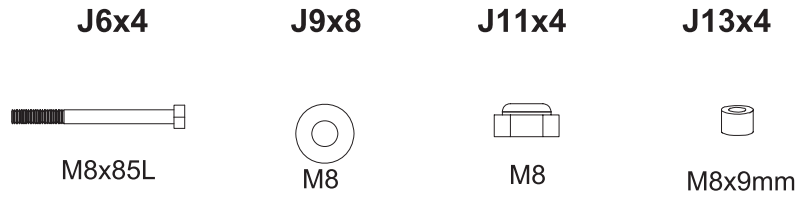
Step3



1. Align the top frame bar (A), leg (B) and leg crossbar with support triangle (J14), and attach them with bolt (J5), metal washer (J9) and (J11), then align them with bolt (J4), metal washer (J9) and nut (J11). Repeat procedure for the other leg (B), and then tighten all the bolts by using the hex wrench (J17), open hex wrench (J18) and Allen wrench (J19).



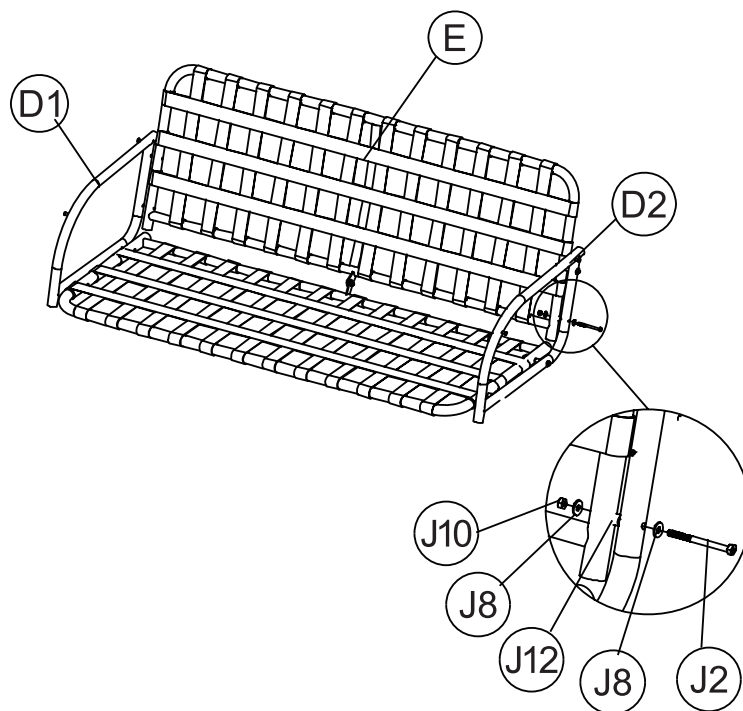
Step4



1. Align the back (E) with right arm (D1) and left arm (D2), attach them with bolt (J6), metal washer (J9), plastic washer (J13) and nut (J11), don't tighten, repeat procedure for the other arm.



Step5

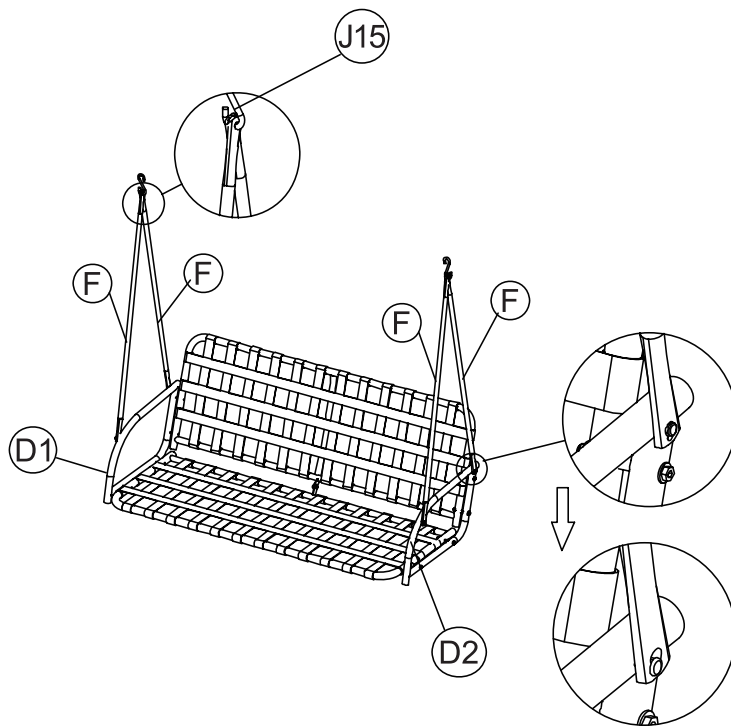


1. Then align the back (E) with left arm (D2) and attach them with bolt (J2), metal washer (J8), plastic washer (J12) and nut (J10), don't tighten, repeat procedure for the right arm (D1), tighten the bolts (J6) by using the hex wrench (J17) or open hex wrench (J18) and the bolts (J2) by using the Allen wrench (J19) and the nuts (J10, J11) by using the hex wrench (J17) or open hex wrench (J18)



Step6

J15x2



1. Align the right arm (D1) and left arm (D2) with hanging bar (F) and insert into the holes. Then hang on the hook (J15).
2. Hang on the seat and back (E) with hanging bar (F) to the steel ring on the top frame bar (A)

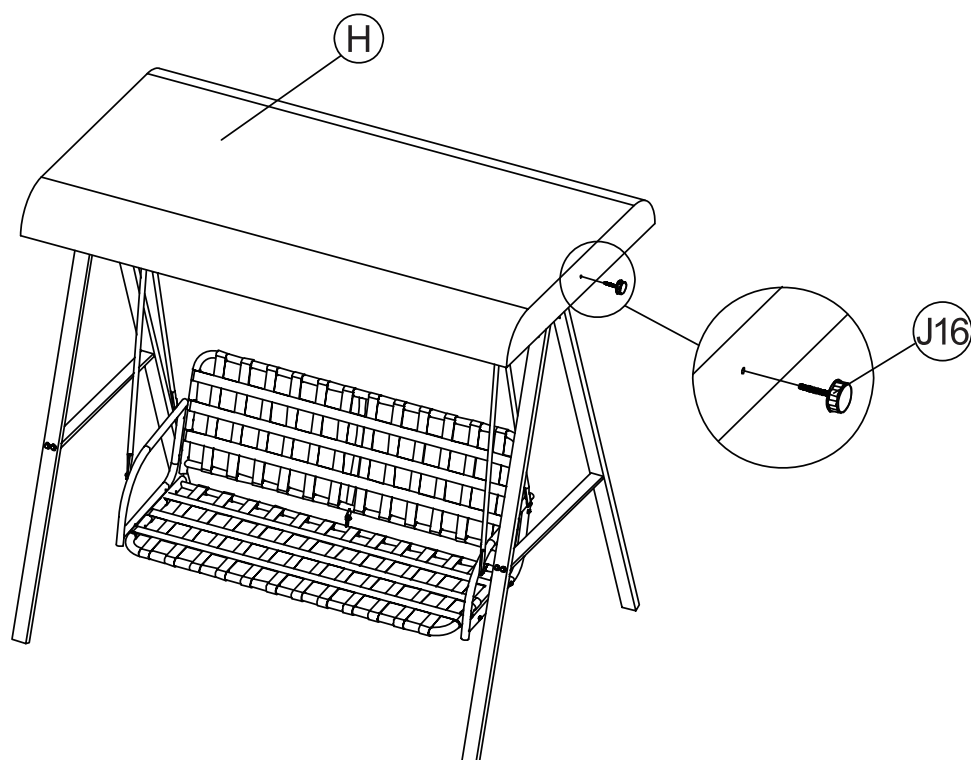
 **STOP DON'T RETURN TO STORE**

Step7

J16x2



M10x60L



1. Align the frame with the canopy (H), attach them with the knob (J16), don't tighten, repeat procedure for the other side.



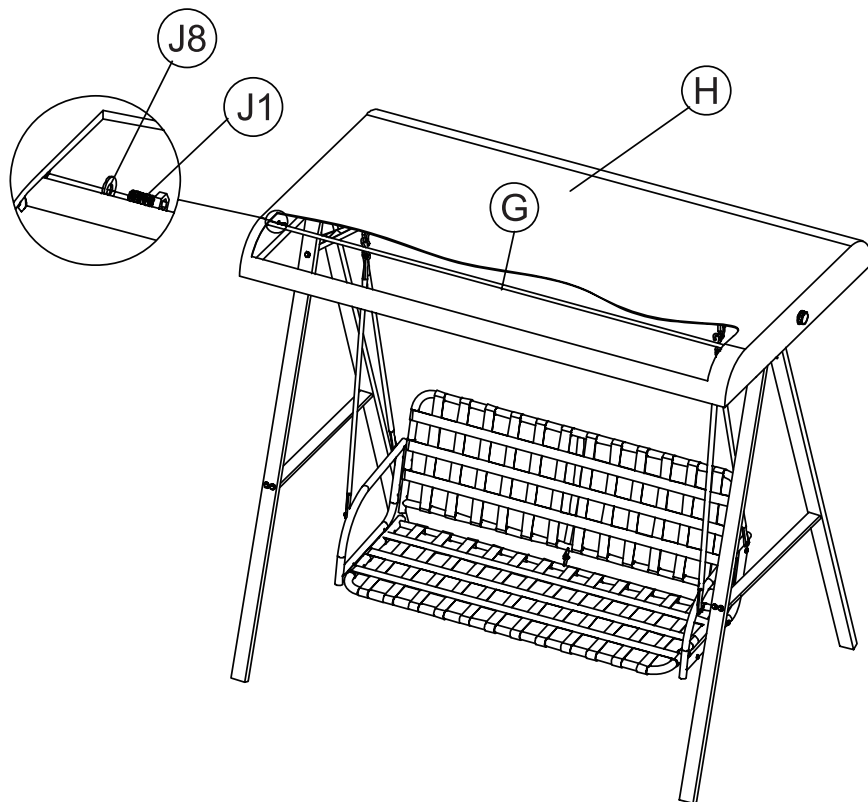
STOP DON'T RETURN TO STORE

Step8

J1x4



J8x4

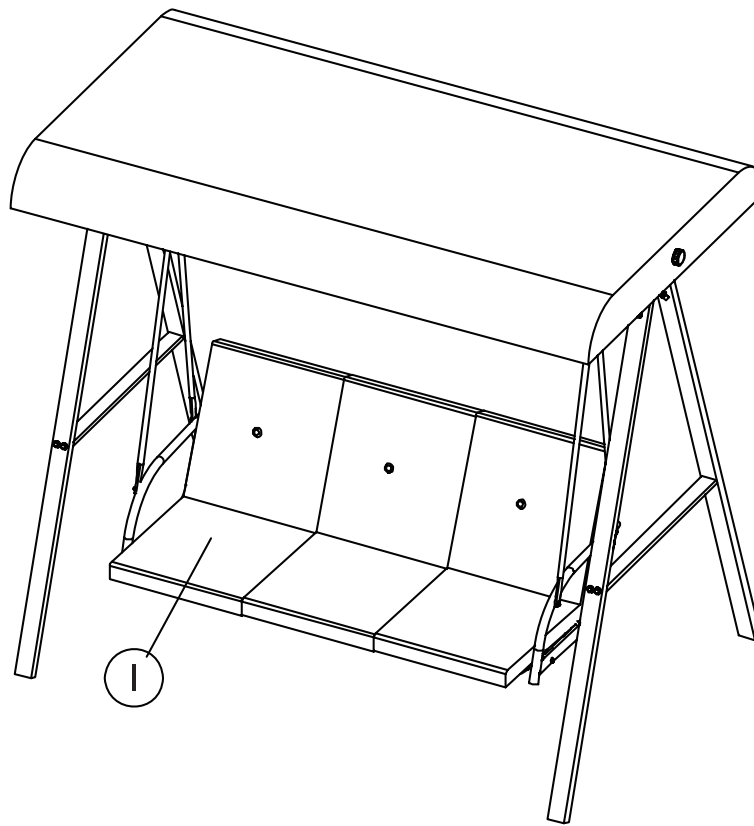


1. **Align the canopy connection bar (G) with canopy crossbar (H),attach them with bolt (J1) and metal washer (J8),don't tighten, repeat procedure for the other side, then tighten the bolts (J1) by using the Allen wrench (J19).**



DON'T RETURN TO STORE

Step9



1. Put the cushion (I) on the seat ,and fasten the Velcro.

Your garden swing is now ready for use!

STOP **DON'T RETURN TO STORE**