

TWL PLYO BOX CONSTRUCTION GUIDE



PARTS INCLUDED:

6 Wooden Box Side Pieces

3 Wooden Pieces for Internal Support

HARDWARE INCLUDED:

Screws
x 37

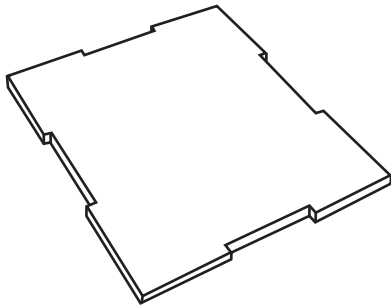


SUGGESTED HARDWARE:

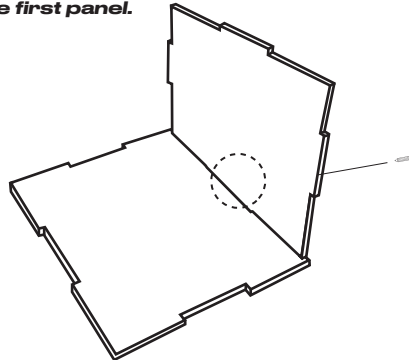
Power Drill

Tip: Do not over-screw/tighten the screws if using a power drill

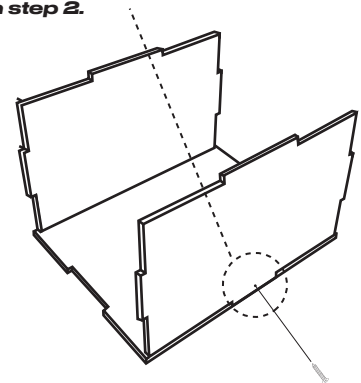
1. Lay down panel that will mirror logoed panel.



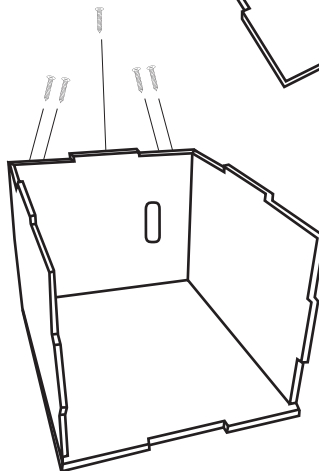
2. Take one of the panels that will serve as the bottom of the box and attach it to the long side of the first panel.



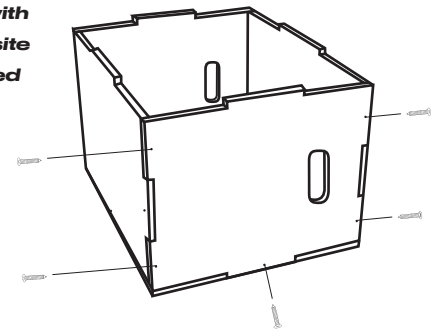
3. Repeat step 2 attaching second panel that will serve as the top of the box, opposite of panel attached in step 2.



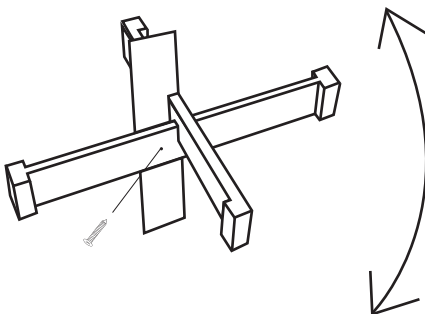
4. Take one of the panels with a handle and attach it to the shorter end, between the two previously added panels.



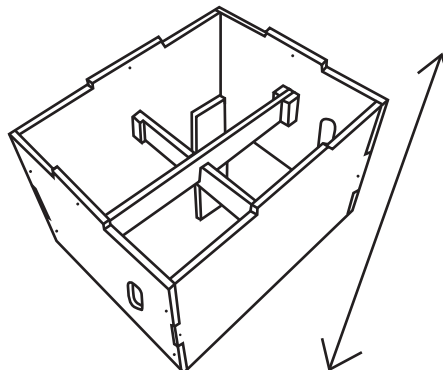
5. Repeat step 4 attaching second panel with a handle, opposite of panel attached in step 4.



6. Slide the middle support pieces together and screw in place to keep secured.



7. Place middle support inside box.



8. Attach final panel with logo on it and finish screwing all sides.

