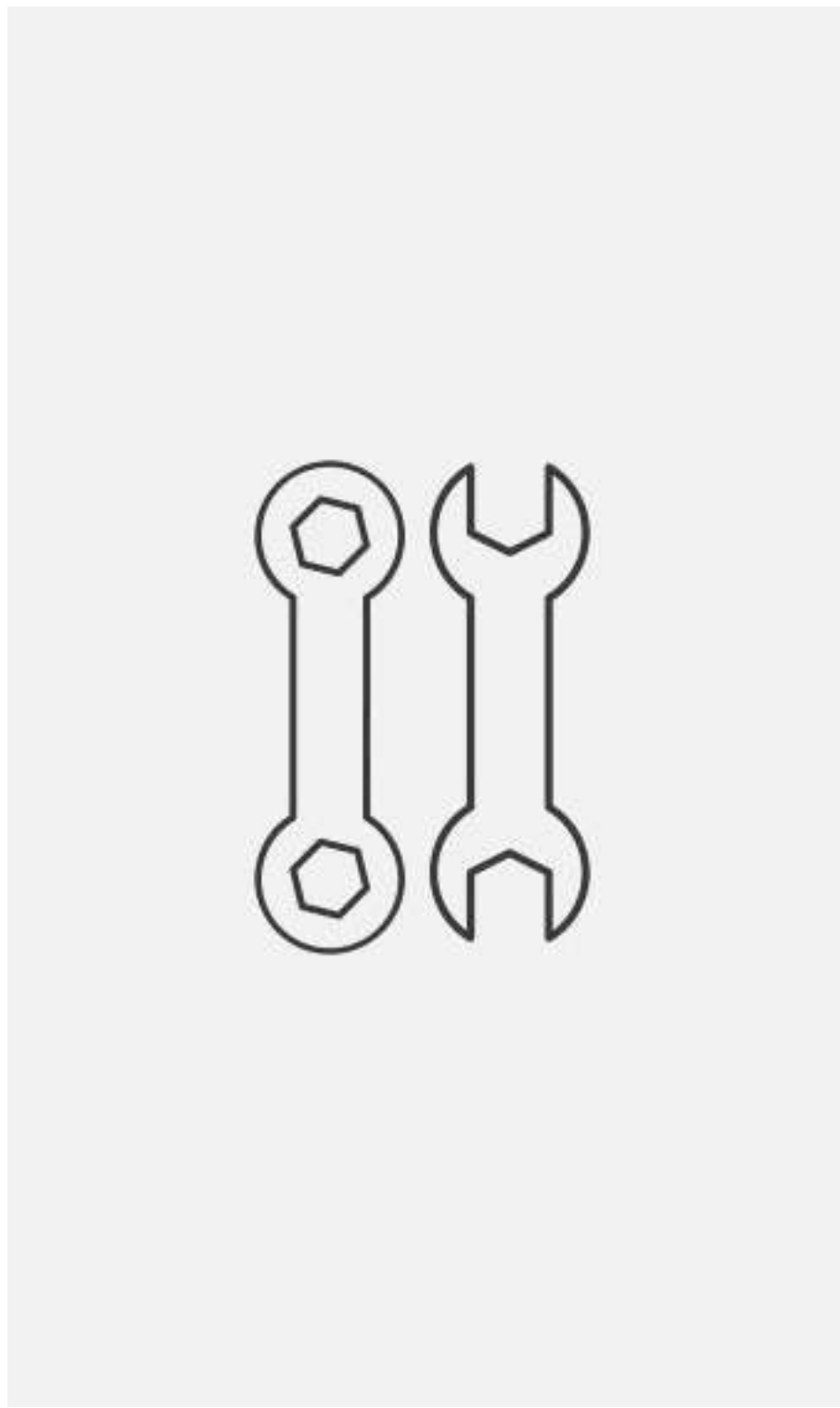
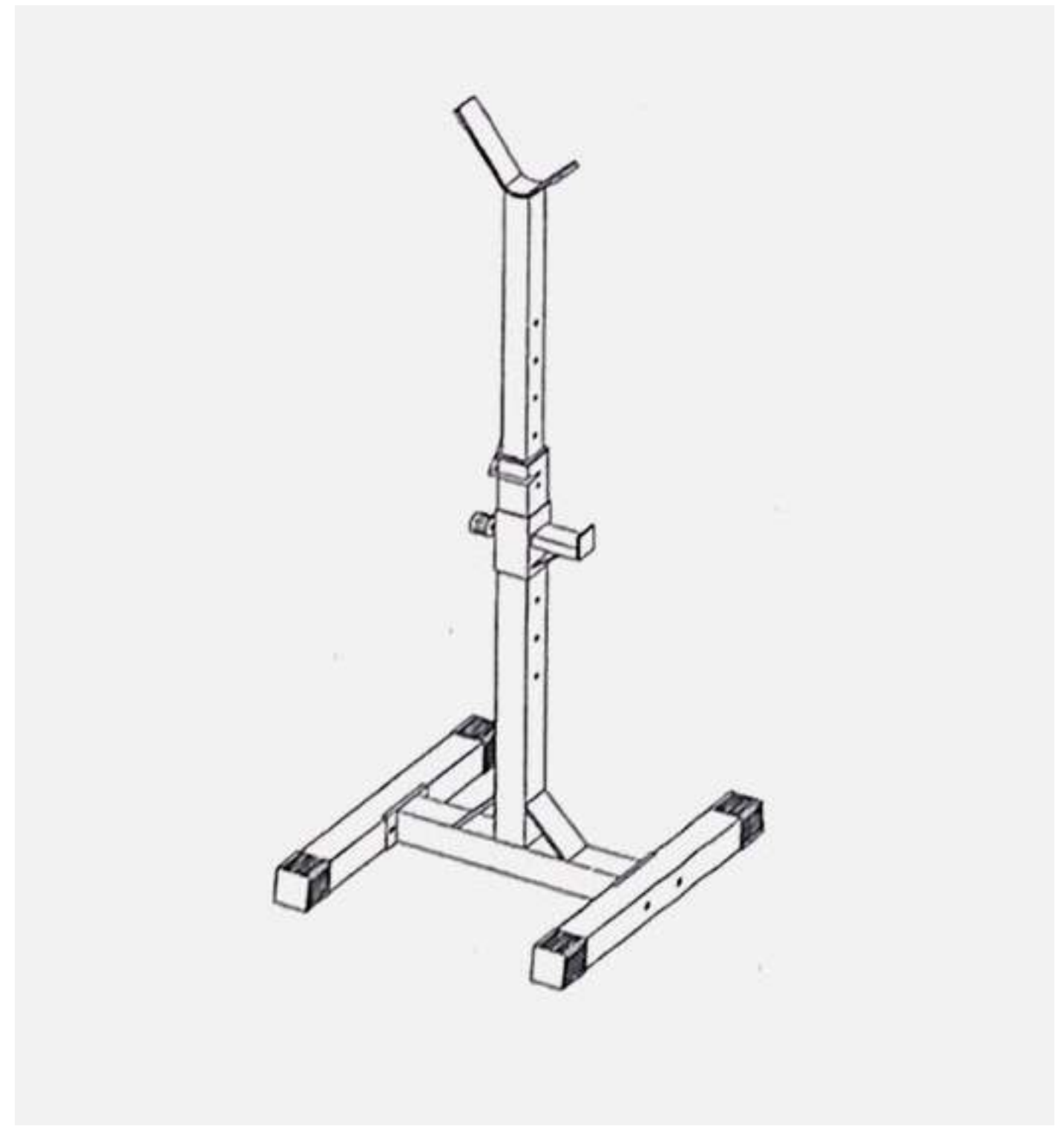


TOOLS:



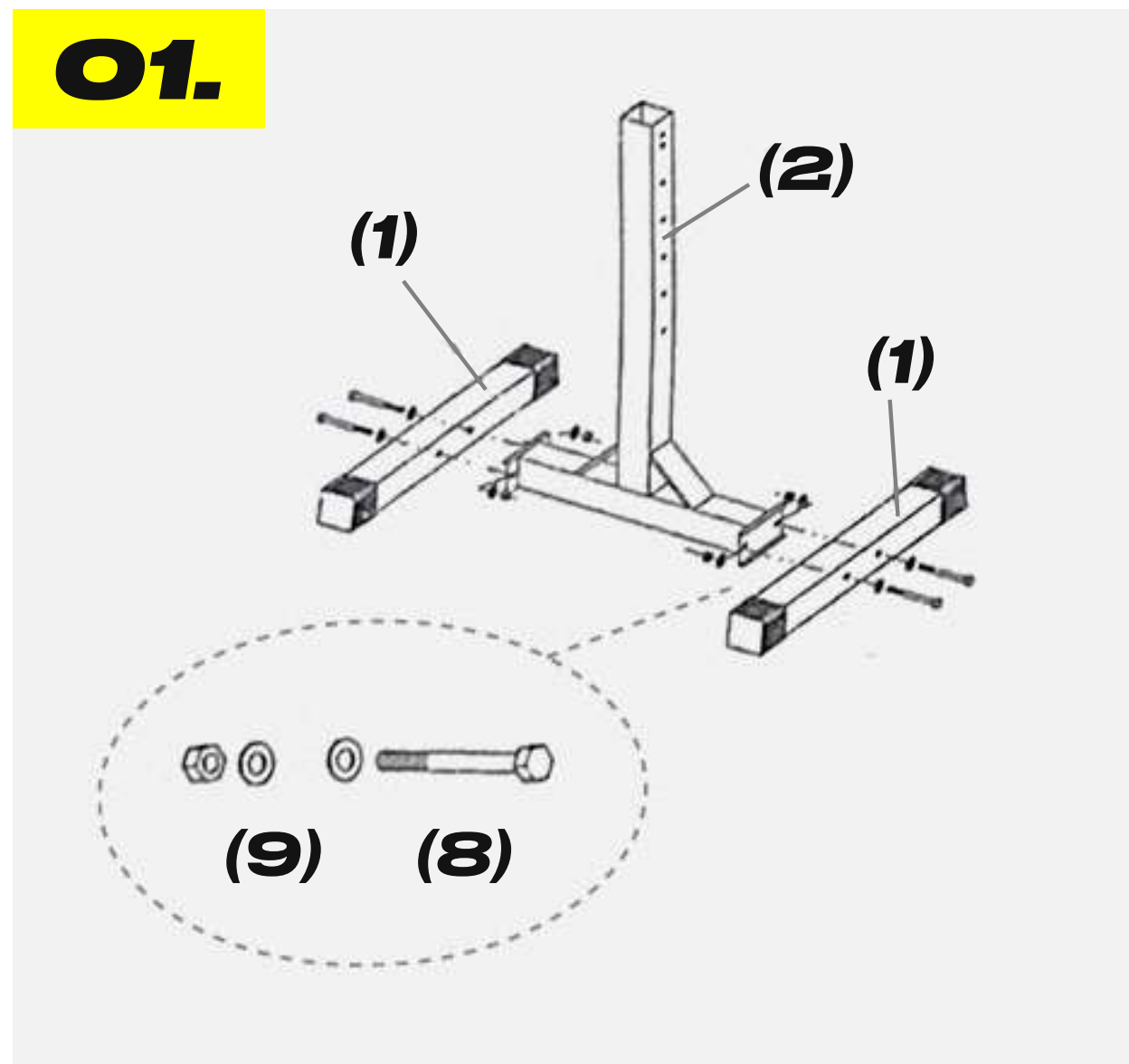
RESULTS:

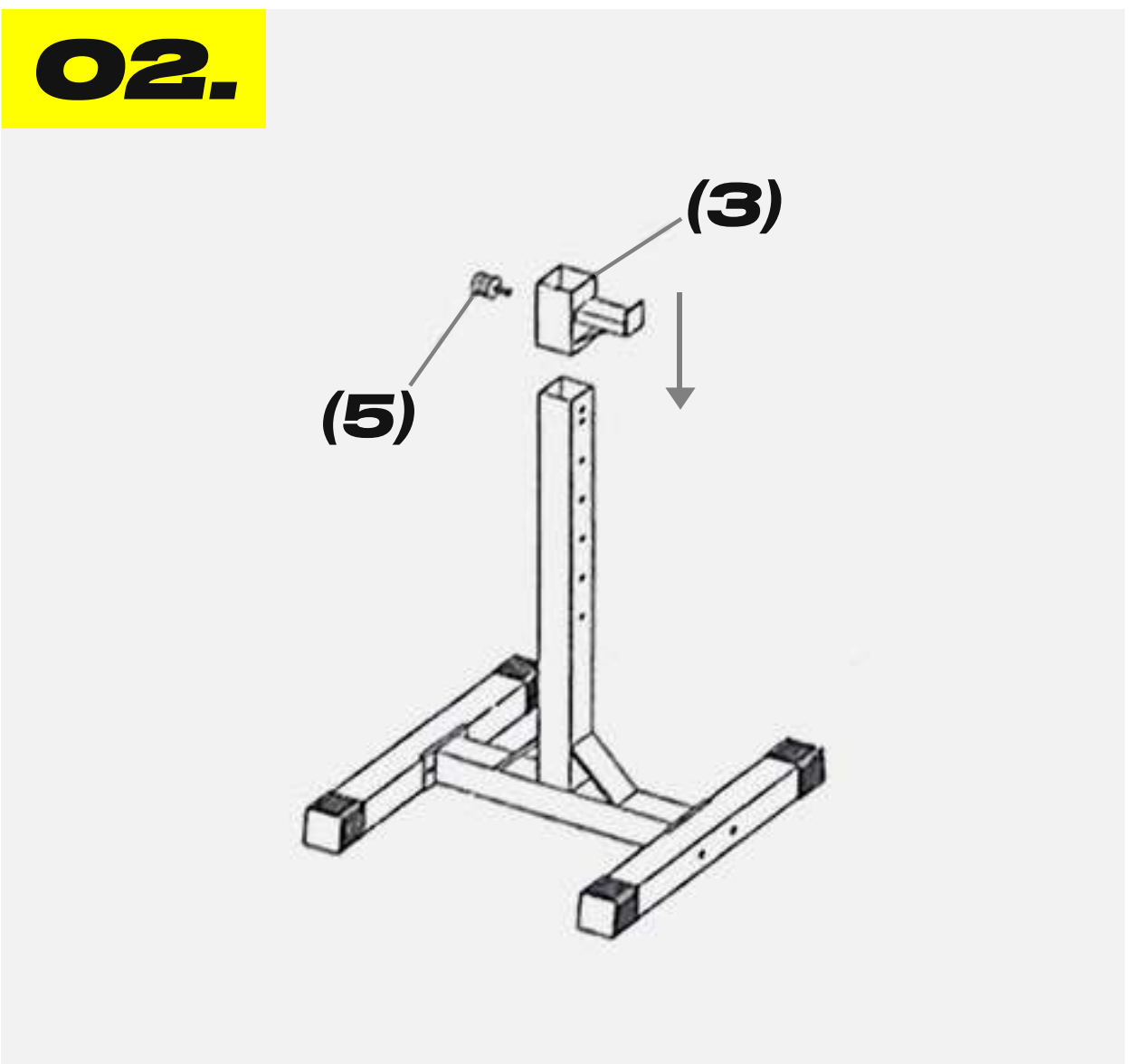


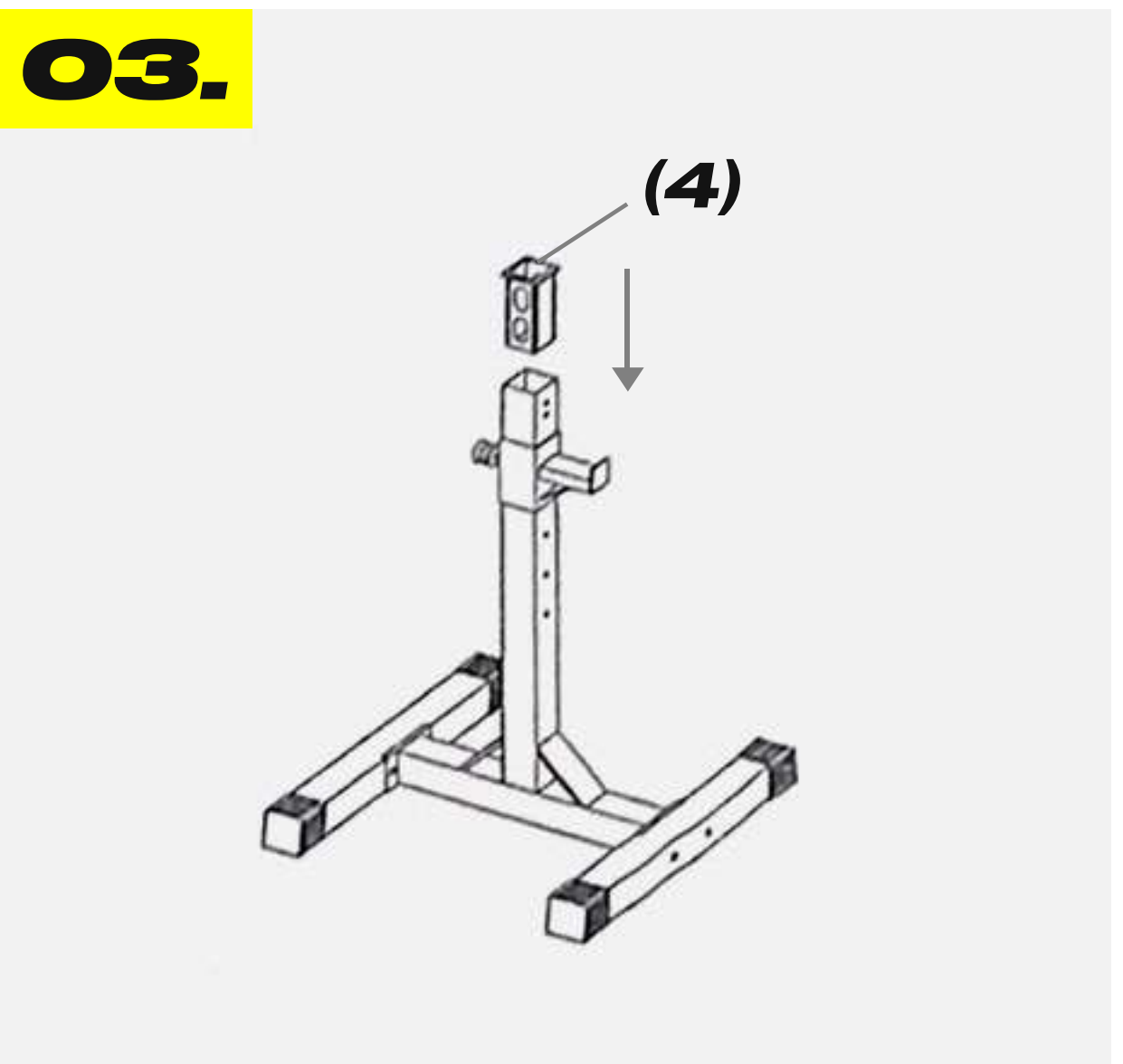
COMPONENTS:

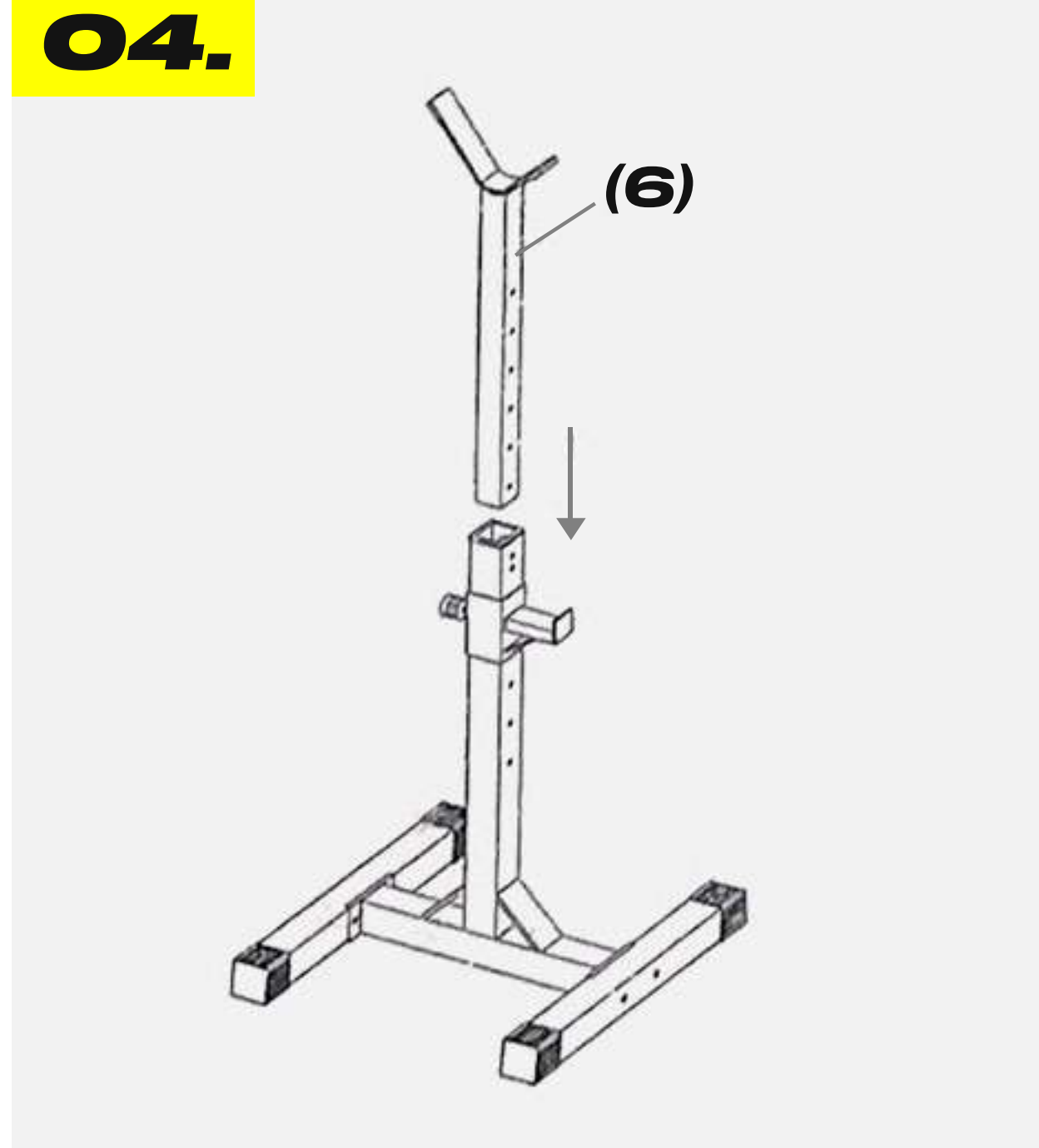
(1) x4	(2) x2	(3) x2	(4) x2	(5) x2
(6) x2	(7) x2	(8) x8	(9) x16	

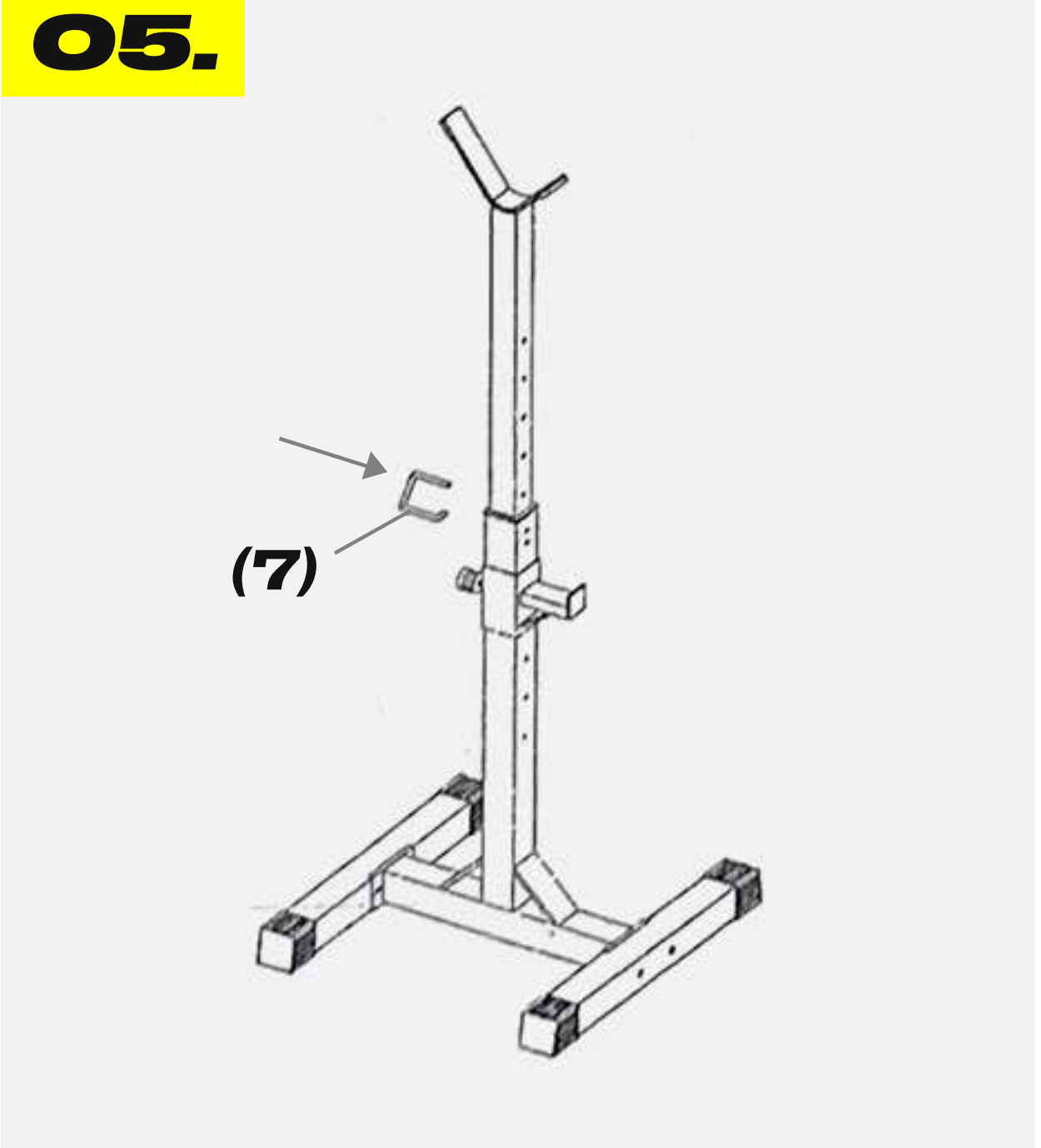
INSTALLATION STEPS:

01. 

02. 

03. 

04. 

05. 

06. 