



KARAOKE PARTY SPEAKER

MODEL: LG1100

INSTRUCTION MANUAL

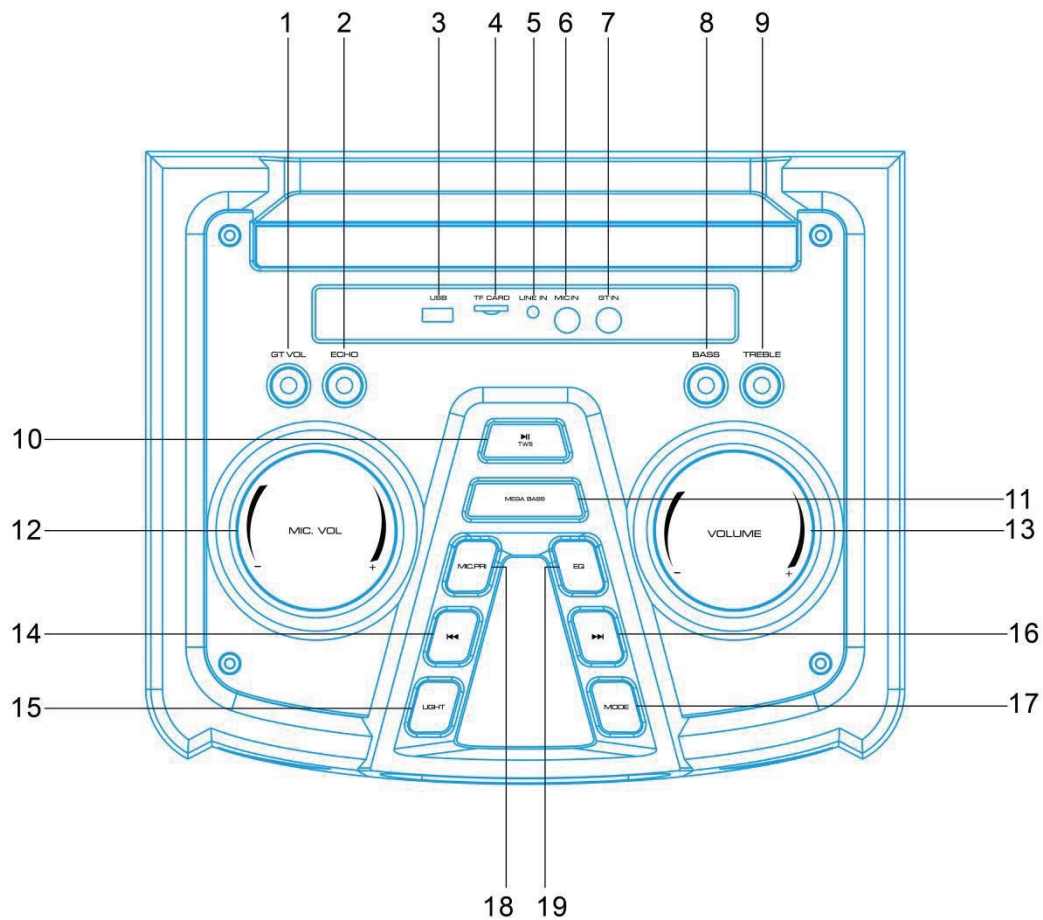


Accessories

Speaker unit	x1
Wireless microphone	x2
Remote control	x1
Power cable	x1
Line-in cable	x1
Instruction manual	x1

PRECISIONAUDIO.COM.AU

Control panel



1. Guitar volume control
2. Echo control
3. USB input
4. TF card input
5. Line-In (3.5mm)
6. Microphone input
7. Guitar input
8. Bass control
9. Treble control
10. Short press to play / pause under Bluetooth mode
long press to connect TWS (please refer to TWS section)
11. Mega bass
12. Microphone volume
13. Main volume
14. Short press for previous track, long press to fast backward
15. Light mode. Short press to cycle through light modes, long press to turn light on / off.
16. Short press for next track, long press to fast forward.
17. Mode button. Cycle through modes
18. Microphone priority. Press for microphone volume priority over music volume
19. EQ effect

Remote control

1. Mute

Mute sound in any mode

2. Previous track

Previous track in USB / TF card mode

3. Mode

Cycle between Bluetooth, Line-In
USB / TF card modes.

4. Record function

Record in USB / TF card mode

5. Echo -

Decrease echo

6. Bass + / -

Increase or decrease bass

7. EQ function

Cycle between EQ settings

8. Microphone volume + / -

Increase or decrease microphone volume

9. Standby

10. Pause / Play

11. Next track

Next track in USB / TF card mode

12. Light mode

Long press to change lighting effects, short press to
change light colour. Press and hold to turn lights on / off

13. Repeat function

Repeat one or all songs. No function in Bluetooth mode

14. Record play

Play recording in USB / TF card mode

15. Record delete

Delete recording in USB / TF card mode

16. Echo +

Increase echo

17. Microphone priority

Press for microphone volume priority over music volume

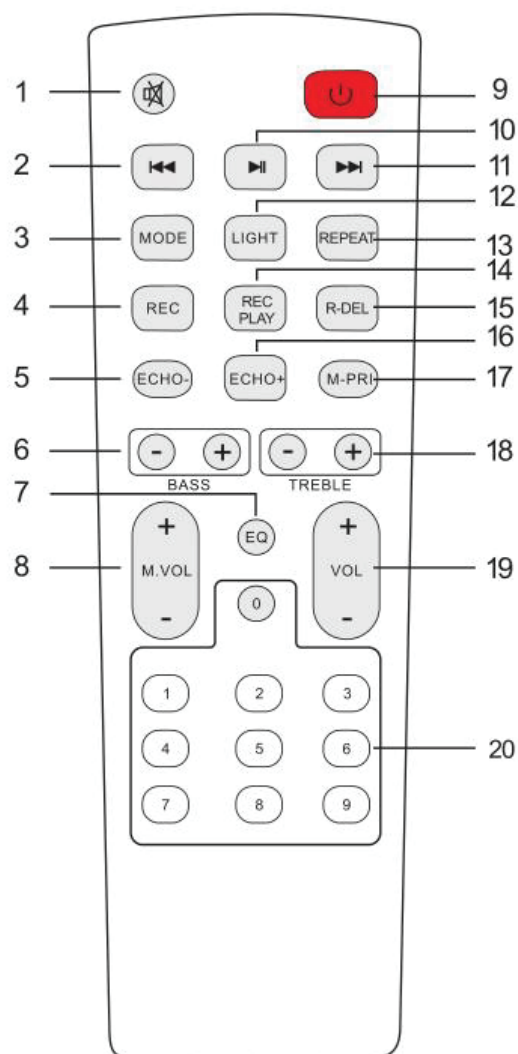
18. Treble + / -

Increase or decrease treble in all modes

19. Main volume




20. Number buttons

Choose track numbers in USB / TF card mode



Bluetooth pairing mode

Press the **MODE** button on the unit or on the remote control until Bluetooth is selected.

1. Place phone within 10m of speaker
2. Within the Bluetooth settings on the phone, search for nearby devices
3. From the found devices list select **LG-1100**
4. Short press the Play / Pause button  to play music. Short press  or  to select previous or next track.

Line-in mode

Press the **MODE** button on the unit or on the remote control until **LINE** is selected.


Play music of the connected device.

USB / TF card mode

Press the **MODE** button on the unit or on the remote control until USB / TF card is selected OR insert USB or TF card. The unit will automatically read and play music from the drive.

1. Short press the Play / Pause button  to play music. Short press  or  to select previous or next track.

TWS mode

1. Turn on both speakers
2. Long press the Play / Pause button  on one of the speakers. This speaker will now display "SLAU" and continue blinking. Once the light stops blinking, the speakers will now be paired.