



POLYGON



james@polygonlight.com

www.polygonlight.com

@polygonlights





POLYGON™

Polygon lights is a modular touch sensitive wall lighting system. The modular magnetic tiles allow custom structures that fit the space or give creative freedom to the end user. Turn the interior architecture of a space into the light source, swipe the wall and illuminate the path of your touch. Adjust lighting levels by illuminating more panels.

Modular tiles - Every tile is compatible with one another. Magnetic edges mean quick and easy installation.

Touch sensitive control - Use any body part to switch each panel on. Paint with light.

Modular circuit - build any structure in any direction. The power flows from each module to its neighbor as soon as its connected.

As much as you need - Buy as many tiles as you need and only use as much as you need. Illuminate more tiles for more brightness.

Long life and maintenance free - Low power consumption with 24 premium LED'S in each tile and an energy efficient 48W power adapter.

Starter Pack

- 5 Light tiles
- Power adapter with 2M cable (USA plug)
- Sticky pads
- Instruction manual



Expansion Pack

- 10 Light tiles
- Sticky pads
- Instruction manual



Operates on 110/ 220 / 240v
50 / 60hz
Max input 1.5A

Internal voltage 24v

65 Tiles can be powered from 1 supply.

Not suitable for dimming systems
(The internal touch sensitive circuit needs constant power)

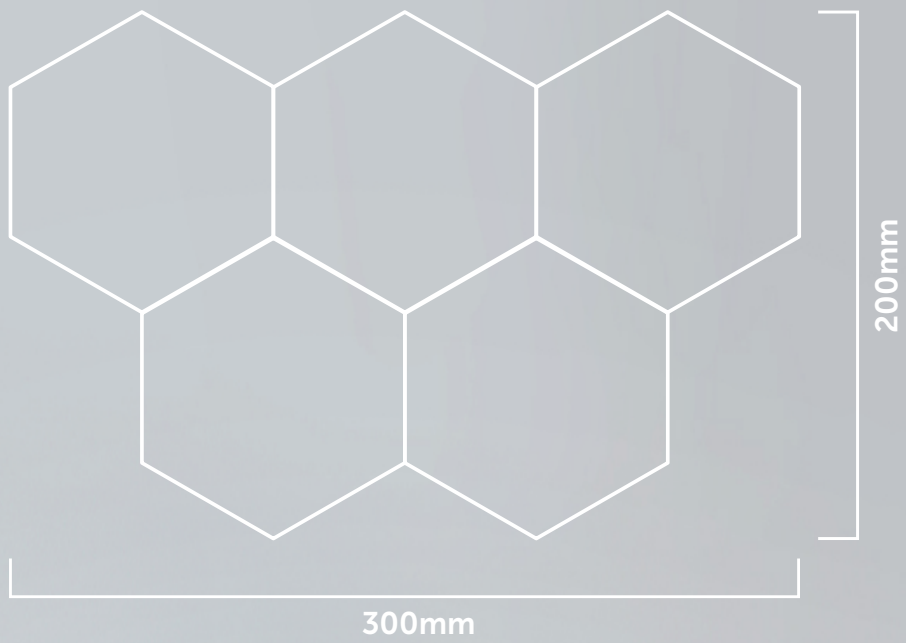
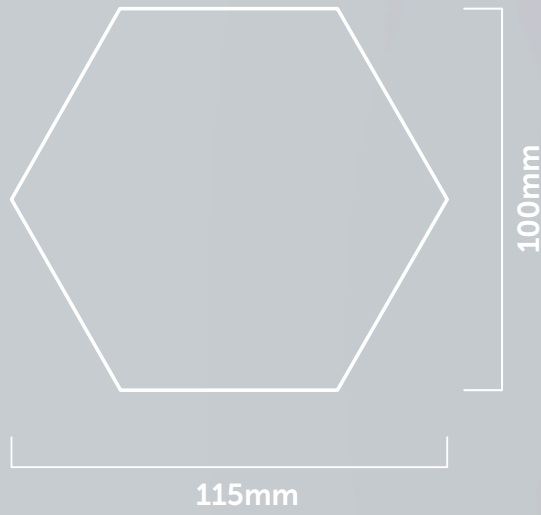
LED Spec

Color temperature: 2700k (warm white)
Output per tile: 80 lumens

Tube dimensions 13cm diameter x 21cm long

Wall mounting: To mount the Polygon light panels on the wall you can either use the sticky pads provided in each pack or you can hook them onto nails using the holes on the back of each module.

*we recommend that you have at least 70% (2/3) of your tiles mounted onto the surface.



Purchasing and shipping.

Sold through Helios Touch LLC in NYC.

Wholesale orders are shipped direct from our warehouse in USA or China.

Good available ex factory, for your shippers to collect, or delivered via our couriers.

Customer responsible for import duty and associated costs.

Product details:

Polygon, Starter Pack, 5 tiles with power supply.

SKU	PLY-STPA-05-001
EAN	754169678197
Package size	13 x 13 x 21cm
Weight	1.15kg

Polygon, Expansion Pack, 10 tiles (No power supply)

SKU	PLY-EXPA-10-002
EAN	754169678203
Package size	13 x 13 x 21cm
Weight	1.4kg

Helios Touch LLC

415W 23rd St
Apartment 5C, NYC, New York
10011
USA

+1 917 929 4536
james@polygonlight.com
www.polygonlight.com

All goods made in China

Harmonisation code: 9405409000

Bulk Shipment Details

Qty / Carton	18
Gross Weight	24kg per carton
Carton Size	54 x 45 x 42 cm


Polygon™

© Helios Touch LLC 2019. All Rights Reserved.

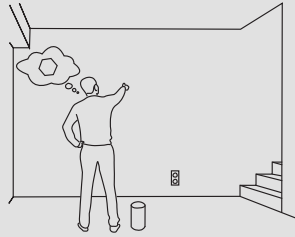
Specification subject to change without notice.

Registered in the state of New York.

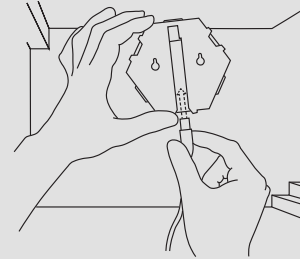




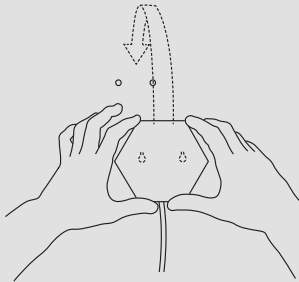
POLYGON
Instruction manual



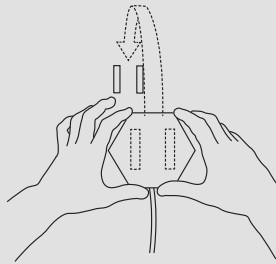
1. Choose your desired location. Ensure close enough distance to an outlet.



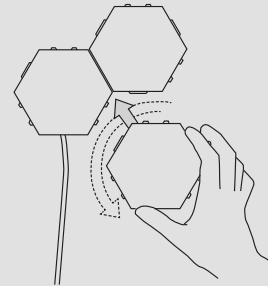
2. Connect the power supply to the rear of a single hexagon.



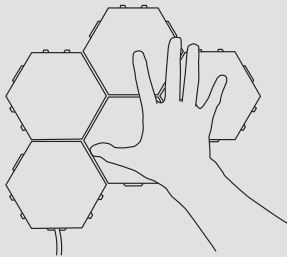
3. Anchor the first hexagon to the wall by using the nail holes on the back.



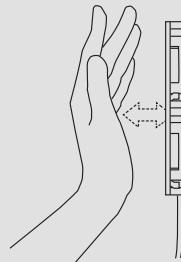
4. ...Or use the sticky tabs. The more you stick down the more secure the structure.



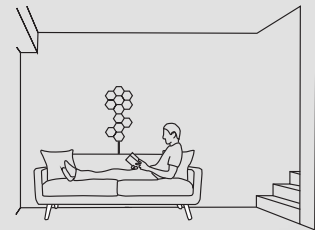
5. Slide each hexagon together. (Hint: the hexagon may need rotating to fit correctly)



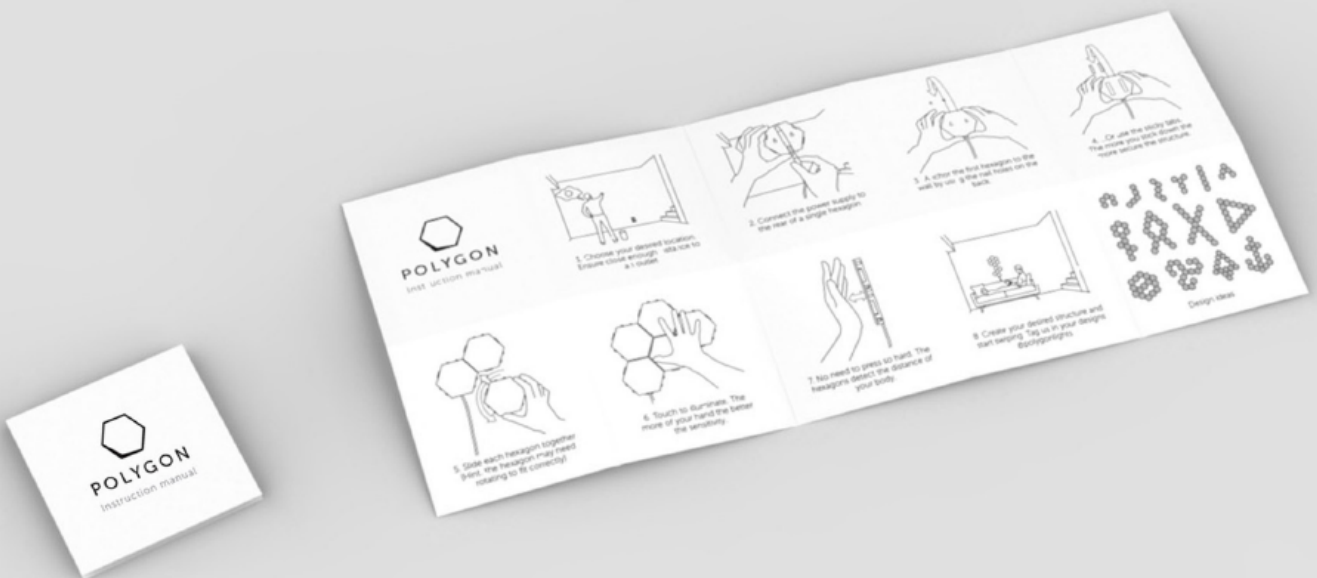
6. Touch to illuminate. The more of your hand the better the sensitivity.



7. No need to press so hard. The hexagons detect the distance of your body.



8. Create your desired structure and start swiping. Tag us in your designs @polygonlights





james@polygonlight.com
www.polygonlight.com
[@polygonlights](https://www.instagram.com/polygonlights)

