



5d 2 professional photography kit  
Instruction Manual

Copyright

© 2022 Shenzhen NeeWER Technology Co., Ltd. All Rights Reserved.  
This document is the sole property of Shenzhen NeeWER Technology Co., Ltd and shall not be reproduced, transmitted, transcribed, stored in a retrieval system or translated in any form, by any means, without prior written permission from Shenzhen NeeWER Technology Co., Ltd. Shenzhen NeeWER Technology Co., Ltd reserves the right to change content in this instruction manual at any time and without prior notice.

Version Control

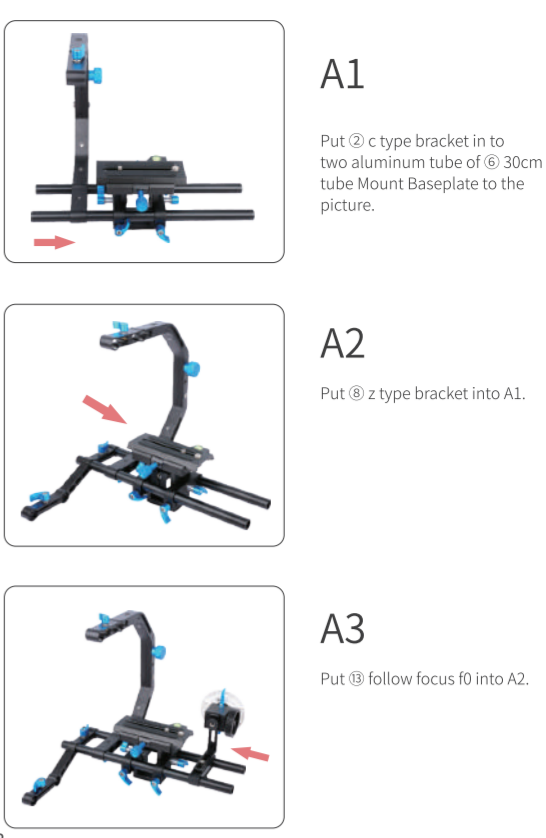
Date	Version number	Description	Issued by
03/30/2022	1.0	5d 2 professional photography kit Manual	NEEWER®

English ----- 01  
中文 ----- 09

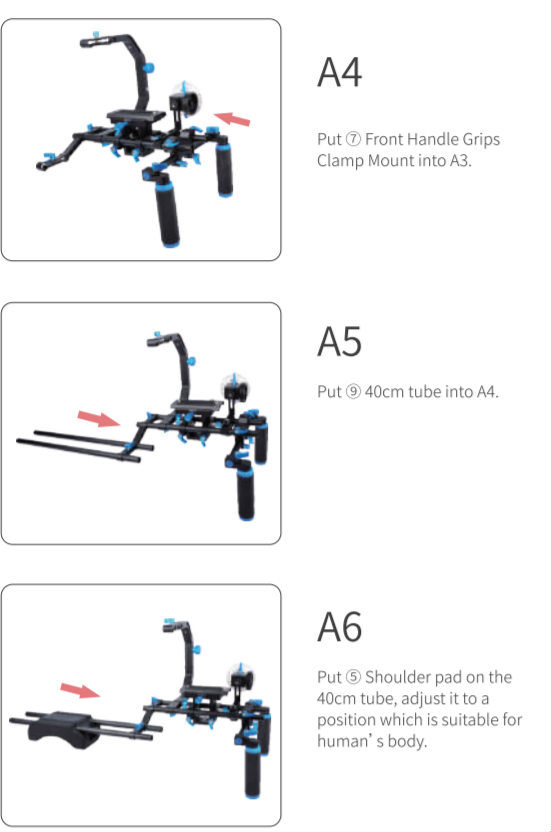
Package Contents



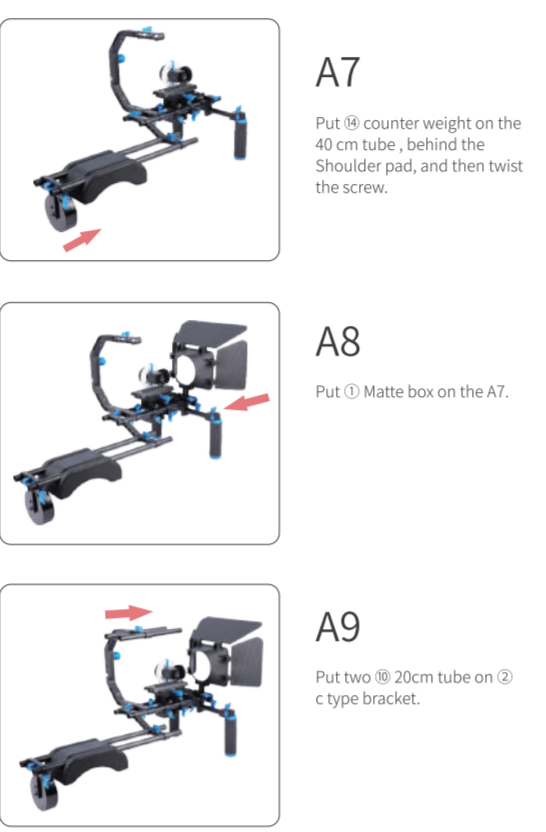
Assembly instructions



Assembly instructions



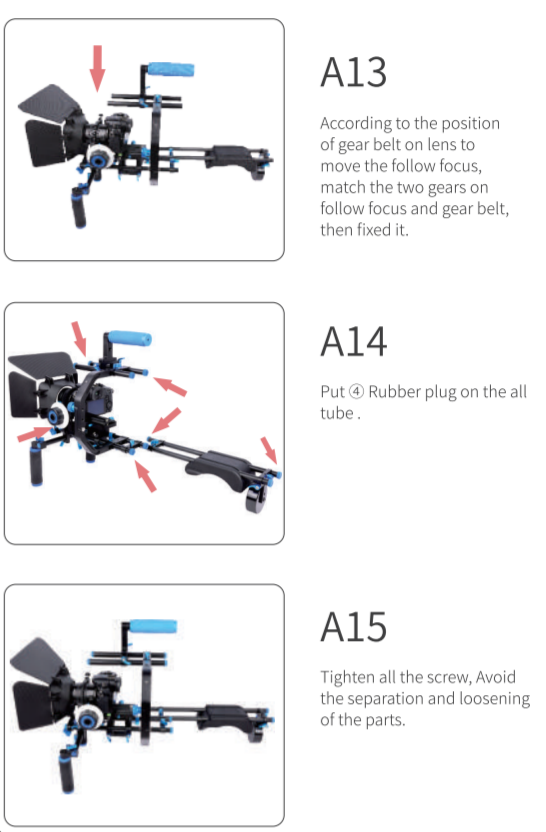
Assembly instructions



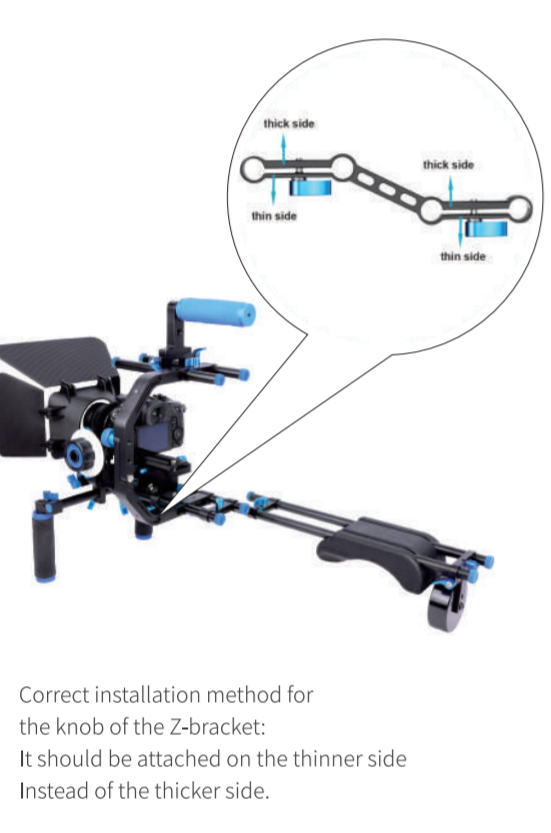
Assembly instructions



Assembly instructions



Pay attention to



Using sketch map



产品清单



组装说明



组装说明



组装说明



组装说明



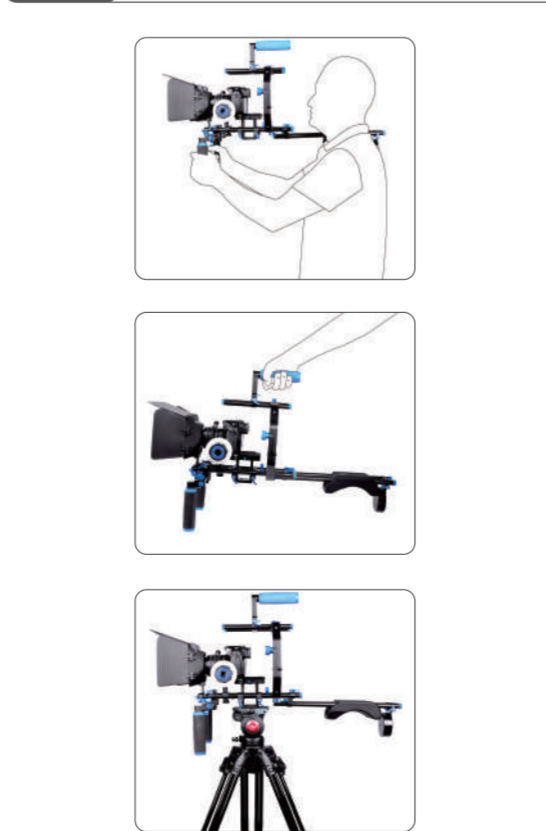
组装说明



温馨提示



使用示意图



UK REP

Lingfeng Electronic (UK) Ltd  
International House, 10 Churchill Way, Cardiff,  
CF10 2HE, United Kingdom

EC REP

NW Formations GmbH(for authorities only)  
Hoferstrasse 9B, 71636 Ludwigsburg, Germany

Shenzhen NeeWER Technology Co.,Ltd.  
Room 1903, Block A, Lu Shan Building No. 3023  
Chunfeng Rd Luo Hu District, Shenzhen  
Guangdong 518001, China