



T-Adapter – Edge HD Series Item #93644, 93646

Short exposure prime focus photography is the best way to begin recording celestial objects. It is done with the camera attached to the telescope without an eyepiece or camera lens in place. To attach your camera you need the Celestron T-Adapter and a T-Ring for your specific camera (i.e., Canon, Nikon, etc.). The T-Ring replaces the 35mm SLR camera's normal lens. To attach your camera to your telescope.

1. Remove all visual accessories. (For the 11" and 14" tube you must also remove the 3" adapter plate threaded onto the rear of the tube)
2. Thread the T-Ring onto the T-Adapter.
3. Mount your camera body onto the T-Ring the same as you would for a standard camera lens.
4. Thread the T-Adapter onto the back of the telescope while holding the camera in the desired orientation (either vertical or horizontal).

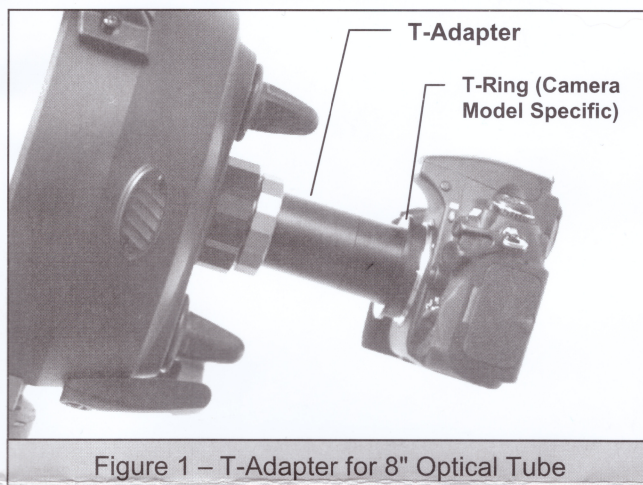


Figure 1 – T-Adapter for 8" Optical Tube

With your camera attached to the telescope, you are ready for prime focus photography. Start with an easy object like the Moon. Here's how to do it:

1. Center the Moon in the field of your telescope.
2. Focus the telescope by turning the focus knob until the image is sharp. Make sure the mirror lock knobs are loosened.
3. Set the shutter speed to the desired setting.
4. Trip the shutter using a cable release or self timer.
5. Use your camera's bracketing feature to automatically change exposure time in order to find the best exposure.

For more information about astrophotography with your telescope see the *Astrophotography* section of your telescope's owners manual.

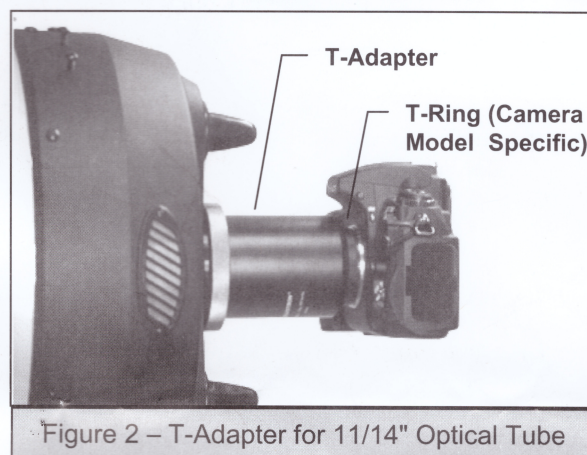


Figure 2 – T-Adapter for 11/14" Optical Tube