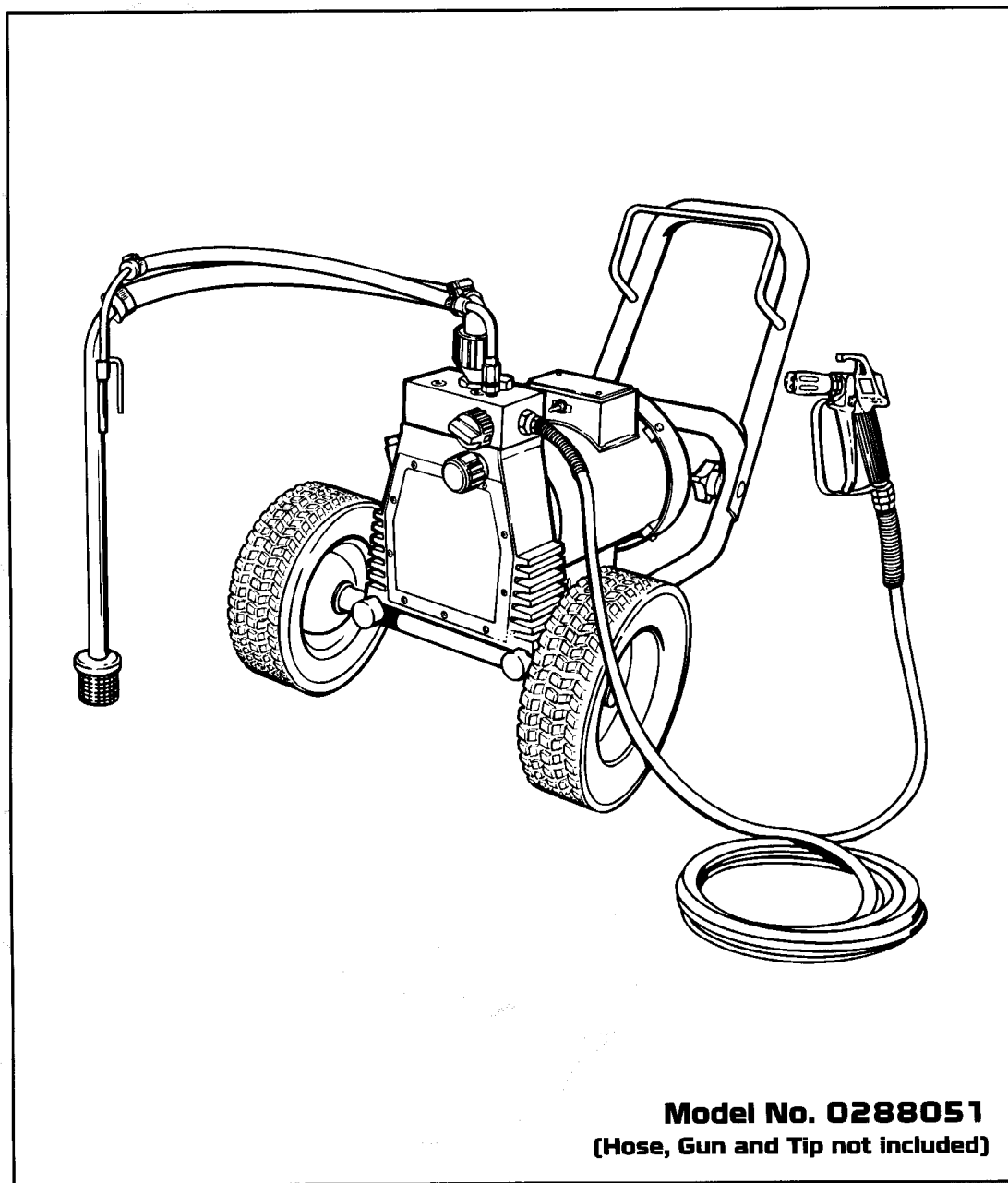


1250 HP Airless Paint Sprayer

Owner's Manual



SprayTECH®
BUILT TO WORK AS HARD AS YOU™

Form No. 0269842C

0897 © 1997 Wagner Spray Tech. All rights reserved.

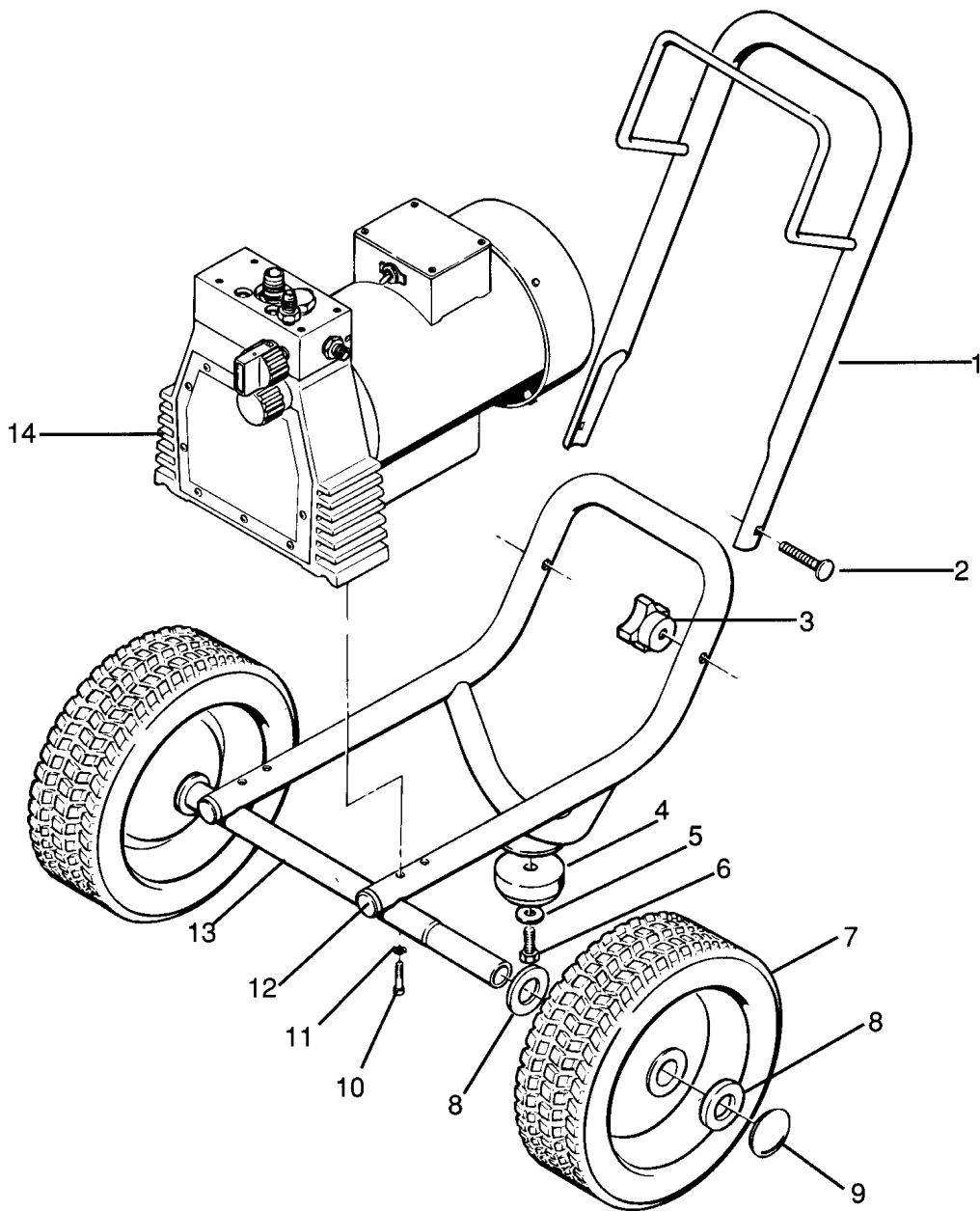


Figure 20.-Final Assembly

FINAL ASSEMBLY — FIGURE 20

ITEM	PART NO.	DESCRIPTION	QTY.	ITEM	PART NO.	DESCRIPTION	QTY.
1	0269310	Handle, Cart	1	9	9890104	Cap, Hub	2
2	9802518	Screw, Rd. Head, Sq. Neck	2	10	9900336	Screw, Soc. Hd. Cap M6 x 40	4
3	0288661	Knob, Handle	2	11	9921502	Washer, Lock	4
4	0090005	Pad, Rubber	1	12	9885546	Plug	2
5	9820305	Washer, Flat	1	13	0270511	Cart, Base 1250	1
6	0090026	Screw, Hex. Hd. 3/8" x-16x1"	1	14	-----	Paint Pump Assembly (See Figure 21)	1
7	0270318	Wheel	2				
8	0294534	Spacer, Wheel	4				

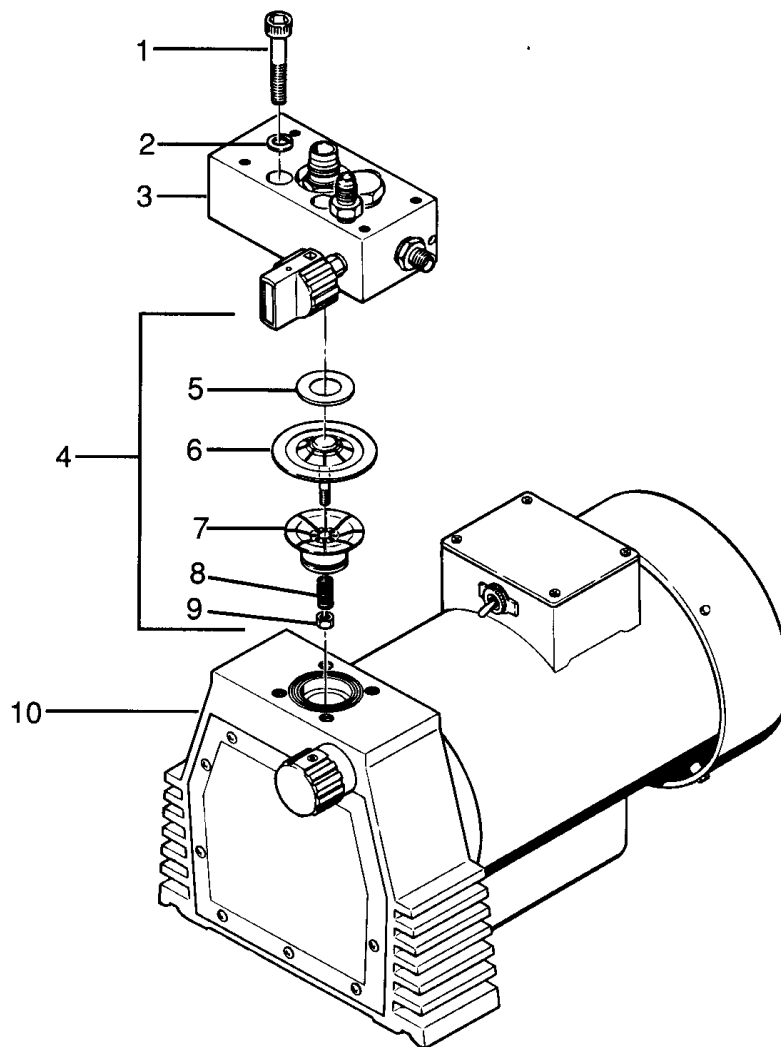
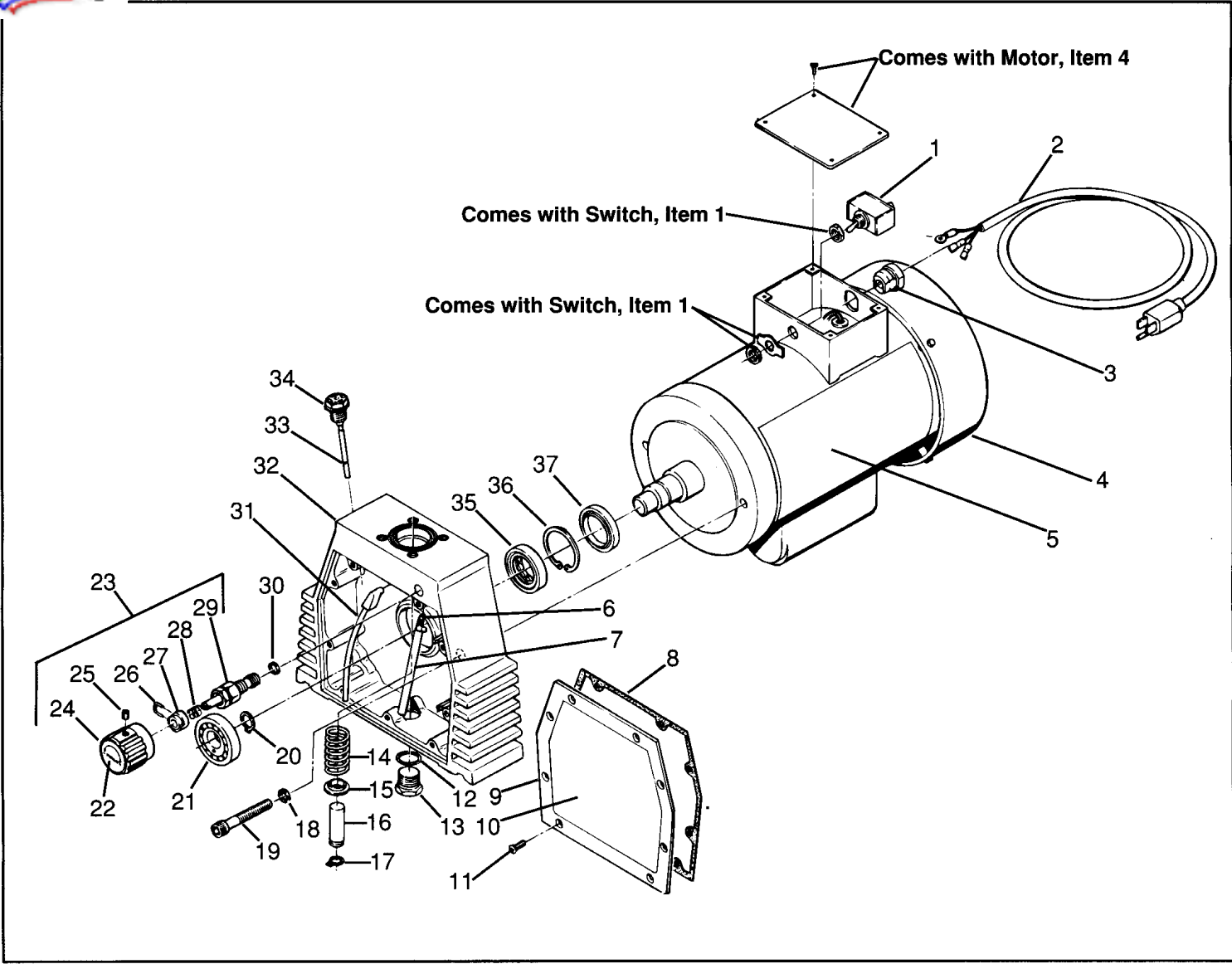


Figure 21. - Pump & Paint Block Assembly

PUMP & PAINT BLOCK ASSEMBLY — FIGURE 21

Item	Part No.	Description	QTY.	Item	Part No.	Description	QTY.
1	0090610	Screw Socket Head	4	6	0090514	Diaphragm	1
2	9921605	Washer, Lock	4	7	0090515	Retainer	1
3	- - - - -	Housing, Paint Pump (See Figure 23)		8	0047403	Spring	1
4	0270953	Diaphragm, Complete (Includes Items 5 thru 9)	1	9	0090517	Nut	1
5	0090434	Ring, Insert		10	- - - - -	Hydraulic Pump Assembly (See Figure 22)	1



HYDRAULIC PUMP ASSEMBLY — FIGURE 22

Item	Part No.	Description	QTY.	Item	Part No.	Description	QTY.
1	0288237	Switch	1	21	0047268	Bearing, Eccentric	1
2	0288277	Cord	1	22	0288806	Label, Pressure	1
3	0288402	Bushing, Strain Relief	1	23	0288166	Valve, Pressure Control	1
4	0270317	Motor, Electric 1/2 HP	1	24	0158354	Knob, Control	1
5	0270817	Label, Warning	1	25	9901105	Screw, Set	1
6	0089261	Connector	1	26	0010858	Clamp	1
7	0089262	Tube, Oil Return	1	27	0010859	Ring, Stop	1
8	0088909	Gasket, Housing Cover	1	28	0010861	Spring	1
9	0288392	Cover	1	29	0047372	Valve	1
10	0291844	Label, Logo	1	30	0089518	O-Ring	1
11	0088710	Screw, Oval Head	9	31	0038362	Tube, Oil Suction Assm.	1
12	9970102	Washer, Copper	1		0037365	Elbow	1
13	0288754	Plug, Oil, M22 x 1.5	1		0288357	Tube, Oil Suction	1
14	0005311	Spring, Piston	1		0288406	Clip, Hose	1
15	0090691	Disc, Spring	1	32	0090612	Housing, Hydraulic	1
16	0005391	Piston	1	33	0281325	Dipstick, Oil	1
17	9922505	Retainer	1	34	0034307	Cap, Filler	1
18	9970113	Washer, Sealing	2	35	9960401	Bearing	1
19	0088406	Screw, 3/8" - 16 x 2-1/4"	2	36	0088514	Retainer	1
20	0088513	Retainer	1	37	9970503	Seal	1

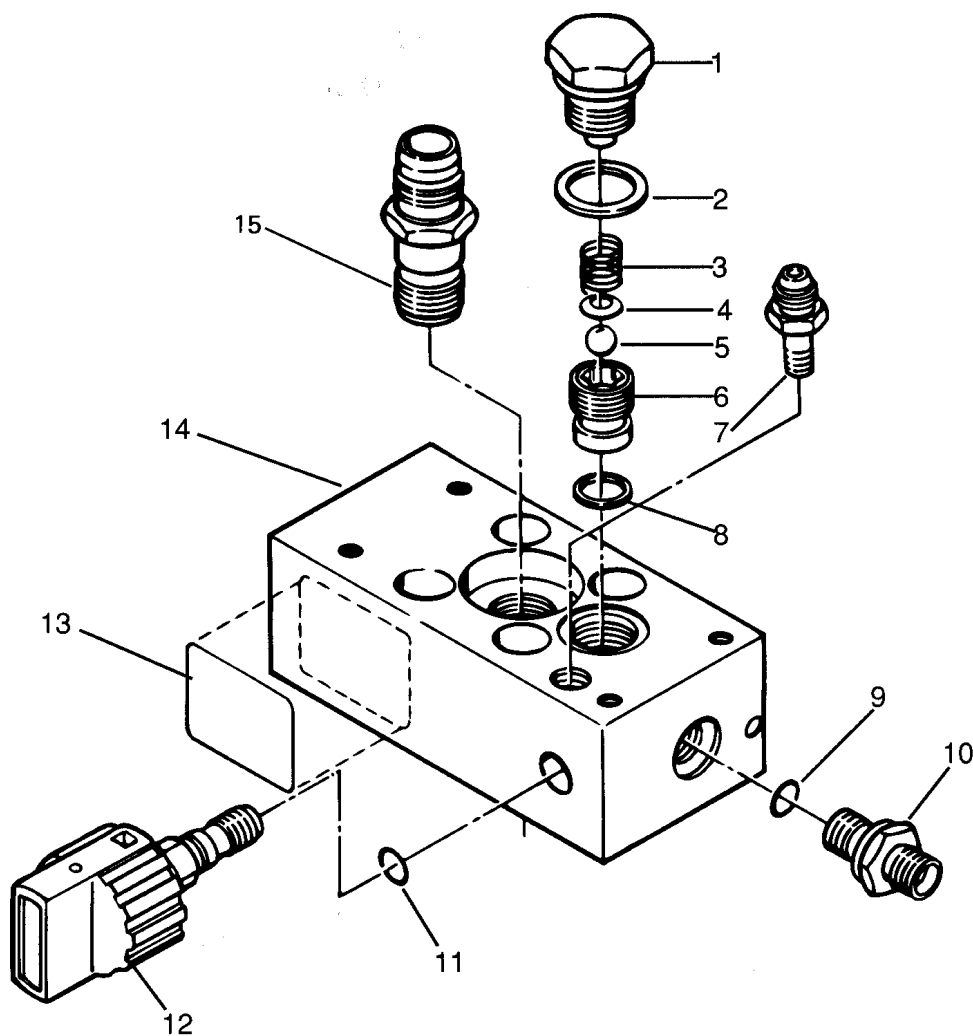


Figure 21. - Pump & Paint Block Assembly

PUMP & PAINT BLOCK ASSEMBLY — FIGURE 21

Item	Part No.	Description	QTY.	Item	Part No.	Description	QTY.
1	0010782	Cap, End	1	9	9970103	Washer, Copper	1
2	9970102	Washer, Copper	1	10	0288379	Fitting, Outlet	1
3	0010779	Spring	1	11	9971365	O-Ring, 9.25 x 1.78	1
4	0036462	Support, Spring	1	12	0169248	Valve, Priming, P/S	1
5	9941501	Ball, Carbide, 11MM	1	13	0288863	Label, Prime/Spray	1
6	0093638	Seat, Outlet Valve	1	14	0288369	Housing, Paint Pump	1
7	0090499	Fitting, Return	1	15	0090375	Valve, Inlet	1
8	0010778	Seal	1		0270954	Outlet Valve Kit (Includes Items 2 thru 8)	1

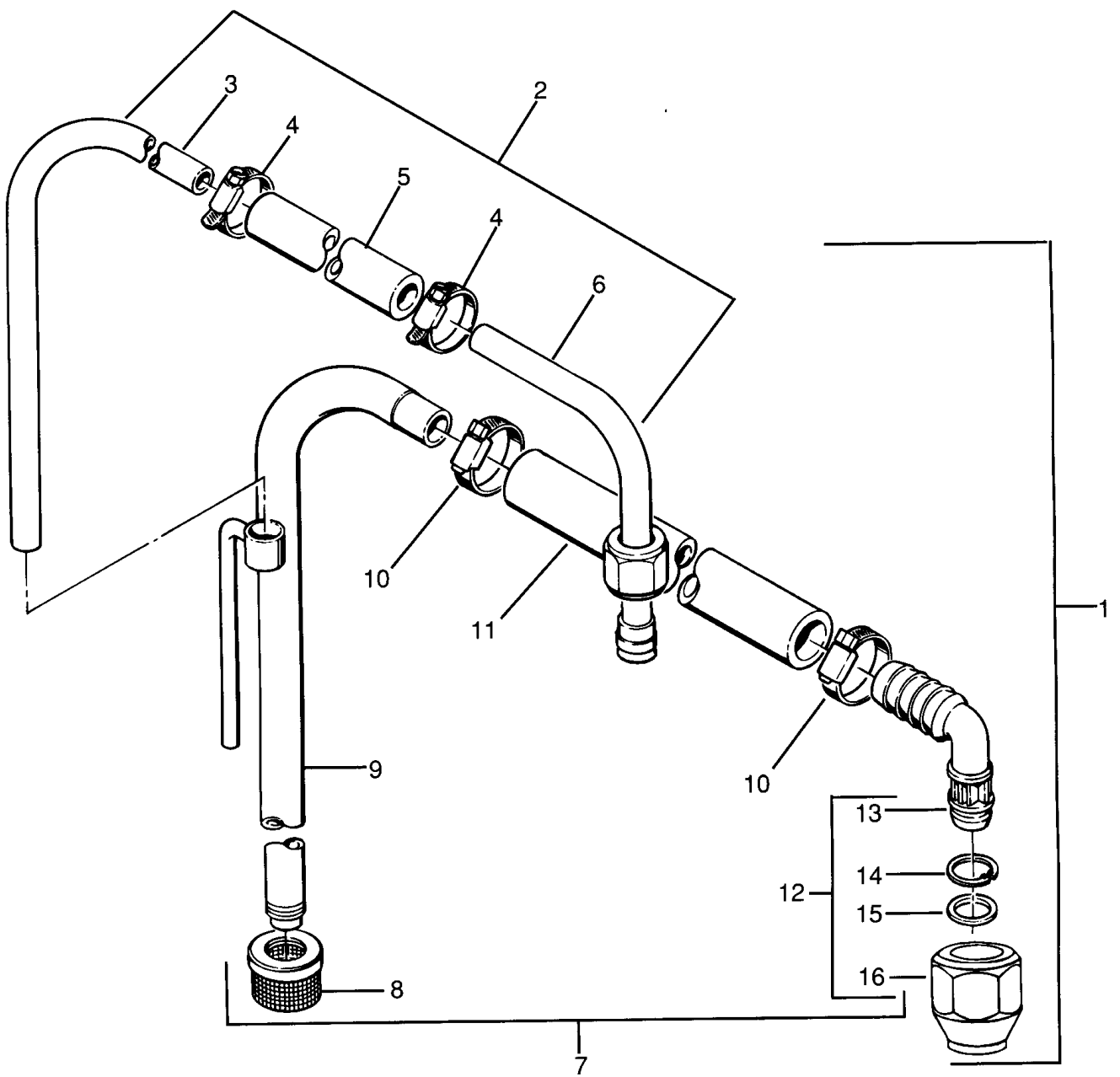


Figure 24.- Suction Set Assembly

ITEM	PART NO.	DESCRIPTION	QTY.	ITEM	PART NO.	DESCRIPTION	QTY.
1	0288184	Suction Set Complete (Includes Items 2 thru 16)	1	8	0088241	Filter	1
2	0288181	Return Hose Assembly (Includes Items 3 thru 6)	1	9	0088541	Tube, Suction	1
3	0088543	Tube, Return	1	10	0089881	Clamp	2
4	0090454	Clamp	2	11	0288770	Hose, 1" x 26"	1
5	0288769	Hose, 1/2" x 26"	1	12	0288183	Elbow, Suction Set (Includes Items 13 thru 16)	1
6	0090449	Elbow, Return Assembly	1	13	0281314	Elbow	1
7	0288182	Hose, Suction Assembly (Includes Items 8 thru 16)	1	14	9822508	Ring, Retaining	1
				15	0281315	Washer, Steel	1
				16	0270310	Nut, Suction	1