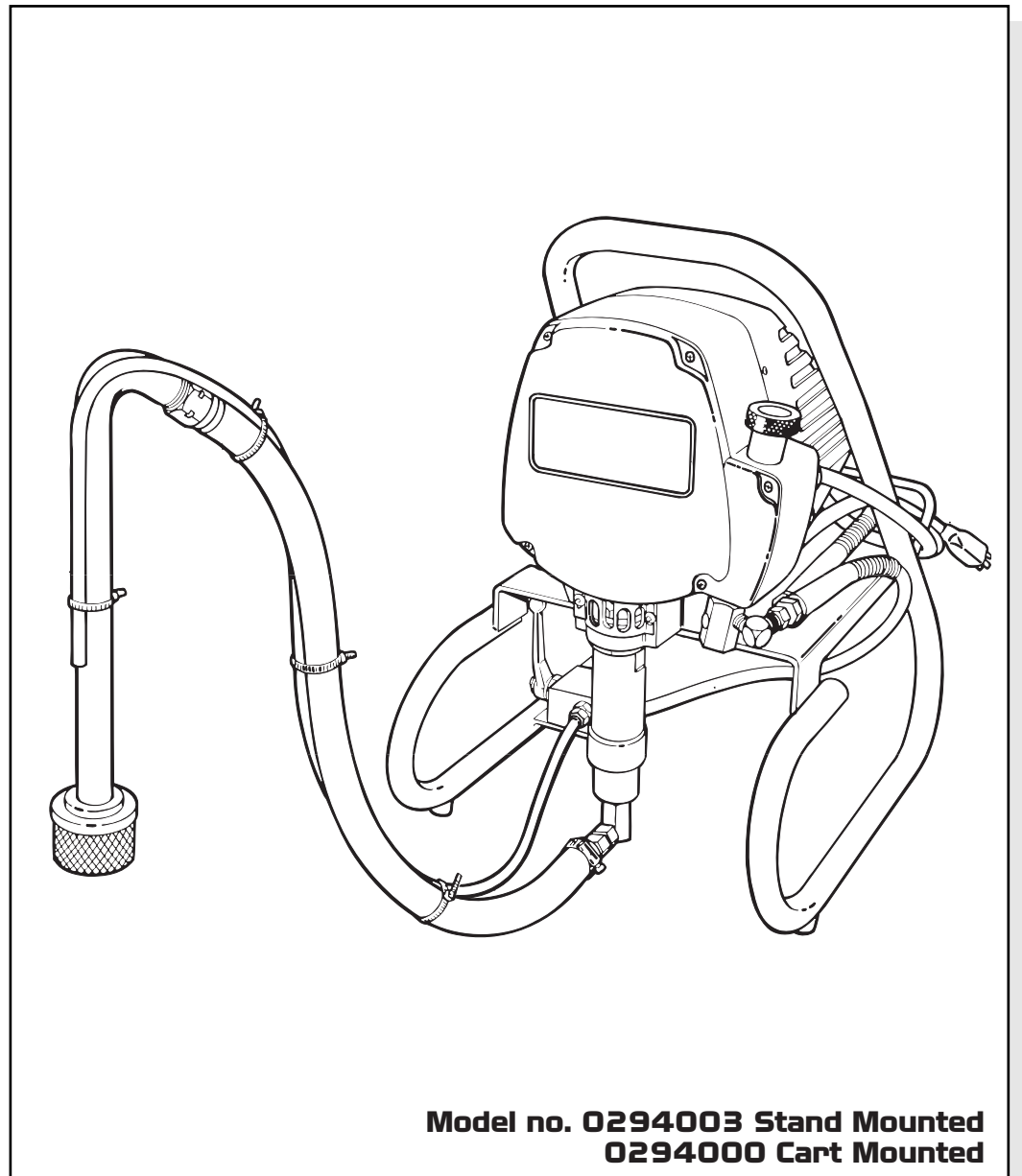


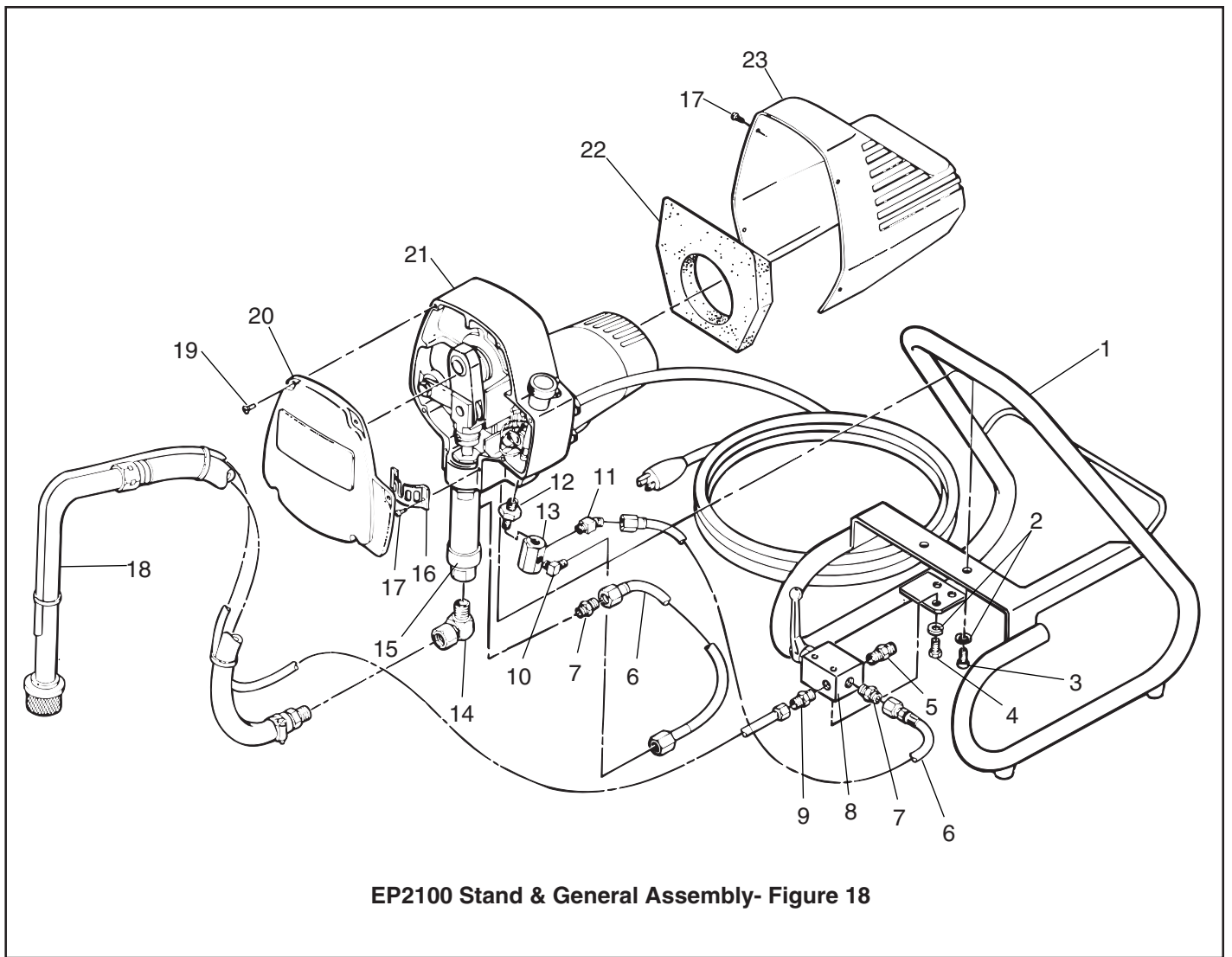
# ***EP2100 Piston Pump***

**Owner's Manual**



***Spray*TECH<sup>®</sup>**  
**BUILT TO WORK AS HARD AS YOU™**

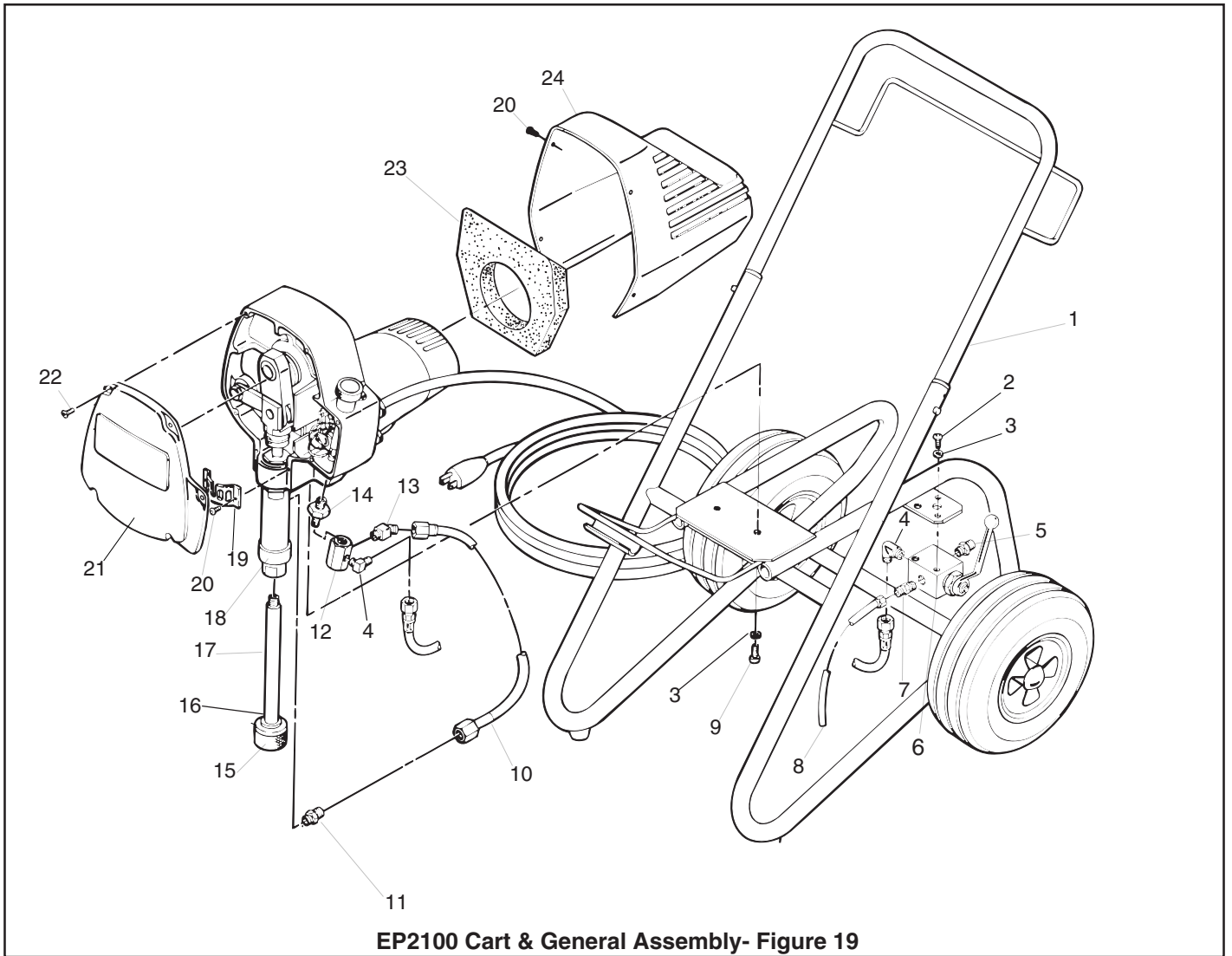
Form no. 0294830F  
© 1995 Wagner Spray Tech. All rights reserved.



EP2100 Stand & General Assembly- Figure 18

## EP2100 STAND & FINAL ASSEMBLY - FIGURE 18

ITEM	PART NO.	DESCRIPTION	QTY	ITEM	PART NO.	DESCRIPTION	QTY
1	-----	Stand Assembly (See Figure 20)	1	13	0294415	Manifold	1
2	51357	Washer, Lock	2	14	0090447	Elbow, 90°	1
3	52183	Bolt, Hex. Head	2	15	0294141	Fluid Section Assembly (See Figure 23)	1
4	9802540	Screw, Button Head	2	16	0294393	Cover, Packing Nut	1
5	02518	Nipple	1	17	9802515	Screw	6
6	13549	Hose, Fluid	2	18	0294185	Suction Set Assembly (See Figure 25)	1
7	05045	Nipple	2	19	9802511	Screw	5
8	0294215	Dump Valve Assembly (Handle Not Included)	1	20	0294425	Cover, Front	1
9	9885566	Fitting, Tube	1	21		Drive Assembly, 21 Series (See Figure 27)	1
10	12440	Elbow, 90°	1	22	0294343	Baffle	1
11	9885547	Elbow, 45°	1	23	0294404	Shroud, Motor	1
12	02208	Transducer Assembly (See Figure 24)	1				



## EP2100 CART & FINAL ASSEMBLY - FIGURE 19

ITEM	PART NO.	DESCRIPTION	QTY	ITEM	PART NO.	DESCRIPTION	QTY
1	-----	Cart Assembly (See Figure 21)	1	13	9885547	Elbow, 90°	1
2	9802540	Screw	2	14	02208	Transducer Assembly (See Figure 24)	1
3	51357	Washer	4	15	02975	Strainer	1
4	12440	Elbow, 90°	2	16	02968	Adapter, Strainer	1
5	02518	Nipple	1	17	0294383	Tube, Siphon	1
6	0294215	Dump Valve Assembly (Handle Not Included)	1	18	0294141	Fluid Section Assembly (See Figure 23)	1
7	9885563	Fitting, Tube	1	19	0294393	Cover, Packing Nut	1
8	0294416	Tube, Return	1	20	9802515	Screw	6
9	52183	Bolt, Hex. Head	2	21	0294425	Cover, Front	1
10	13549	Hose, Fluid	2	22	9802511	Screw	5
11	05045	Nipple	1	23	0294343	Baffle	1
12	0294415	Manifold	1	24	0294404	Shroud, Motor	1

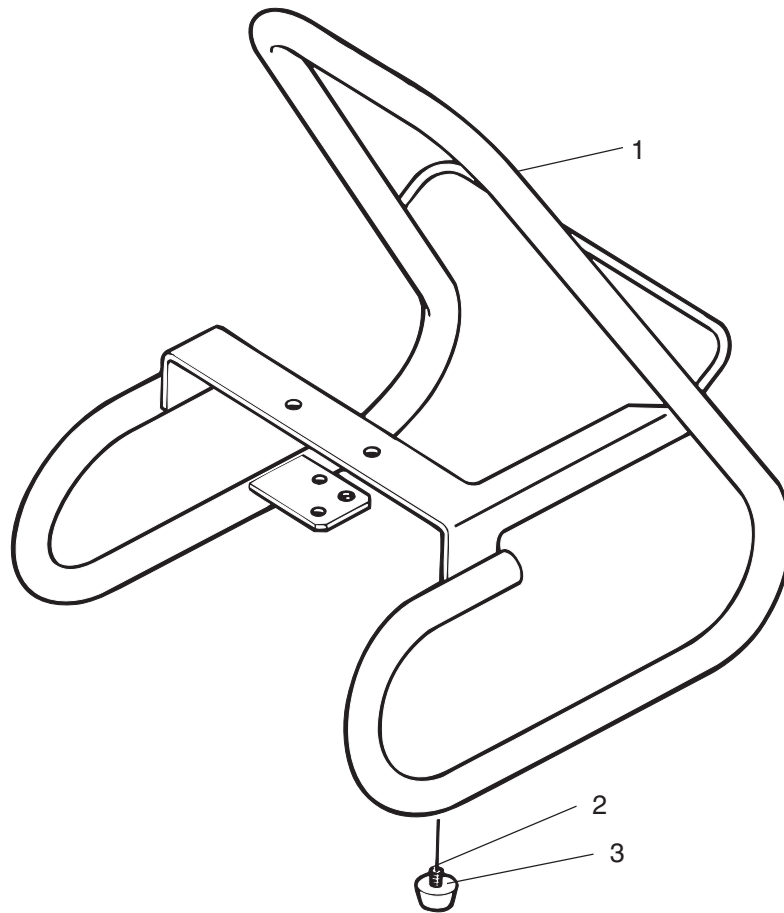


Figure 20 - Stand Assembly

## STAND ASSEMBLY - FIGURE 20

ITEM	PART NO.	DESCRIPTION	QTY.	ITEM	PART NO.	DESCRIPTION	QTY.
1	0294378	Stand	1	3	0294373	Bumper	4
2	9802251	Screw	4				

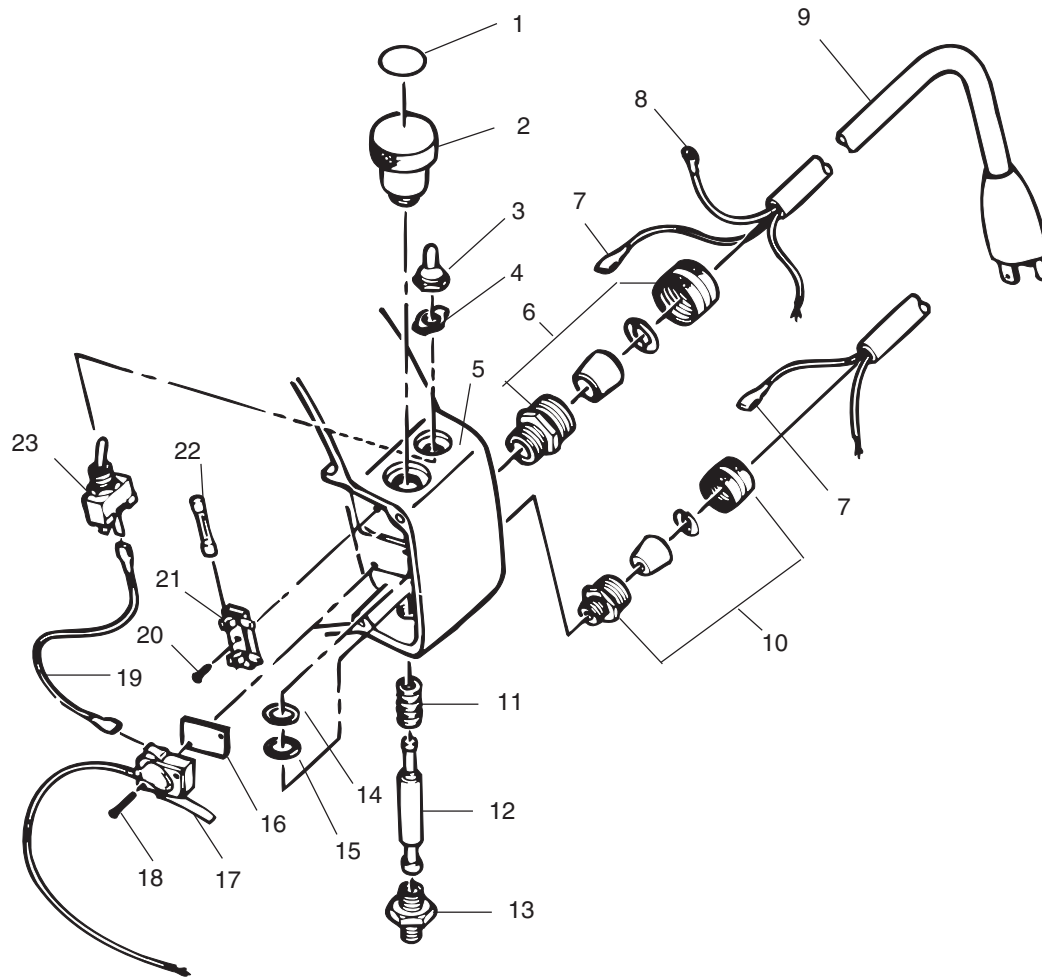


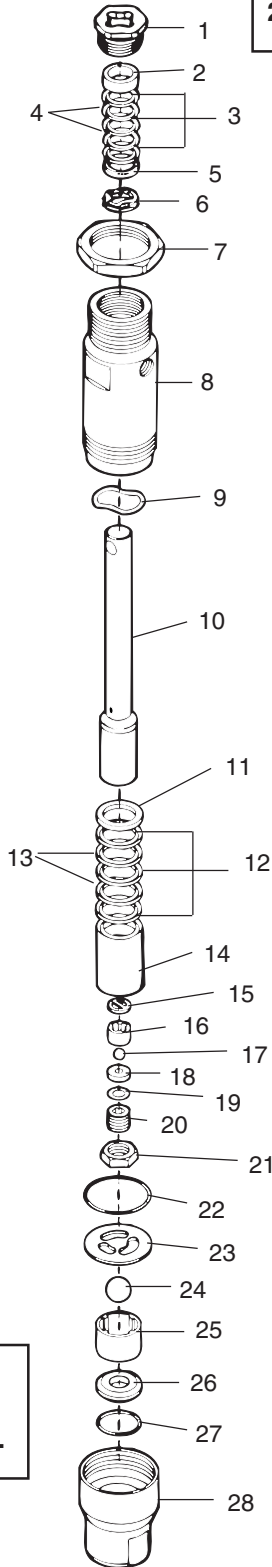
Figure 22 - Pressure Control Assembly

## PRESSURE CONTROL ASSEMBLY - FIGURE 22

Item	Part No.	Description	Qty.	Item	Part No.	Description	Qty.
1	0294837	Pressure Increase Label	1	12	0294359	Plunger	1
2	0294430	Knob	1	13	02208	Transducer Assy. (See Figure 24)	1
3	02585	Toggle Boot	1	14	50458	Retainer Ring	1
4	0089986	On/Off plate	1	15	02739	Finish Washer	1
5	0294348	Housing	1	16	03662	Switch Spacer	1
6	0275703	Strain Relief	1	17	0294143	Pressure Switch Assy.	1
	9850630	Strain Relief, (CSA)	1	18	9800604	Screw	2
7	54003	Quick Disconnect	1	19	9851311	Lead Wire	1
8	52671	Ring Terminal	1	20	9804916	Screw	1
9	0294428	Cord Set	1	21	9851613	Fuse Holder	1
	02491	Cord Set (CSA)	1	22	51411	Fuse (8 amp)	1
10	9850629	Strain Relief	1	23	53280	On/Off Switch	1
11	02712	Spring	1				

# FLUID SECTION ASSEMBLY FIGURE 23

**NOTE:**  
#1 Torque  
25 FT. LBS.



**NOTE:**  
#20 Torque  
250 IN. LBS.

**NOTE:**  
#28 Torque  
40 FT. LBS.

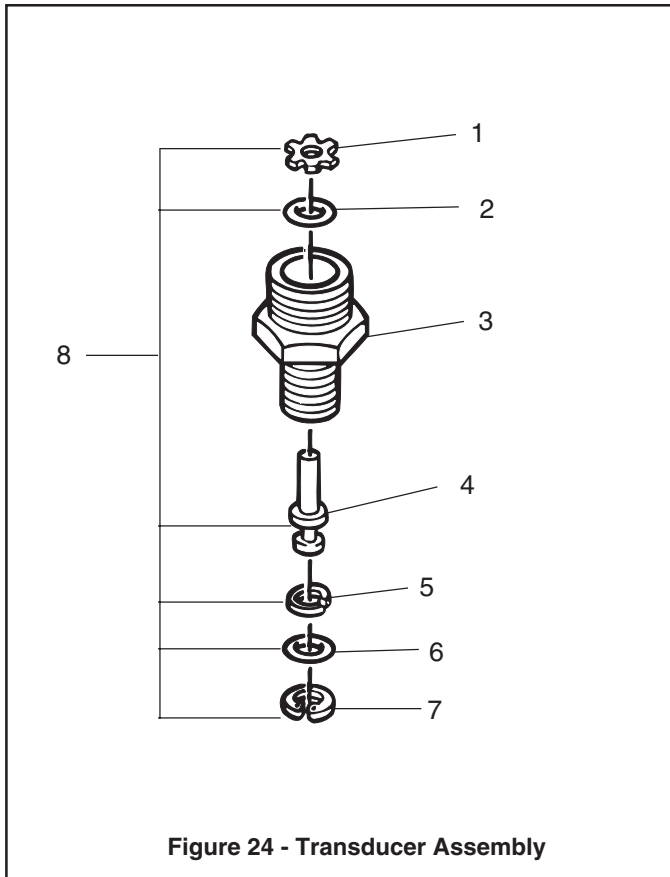
ITEM	PART NO	DESCRIPTION	QTY.
1	0294319	Packing nut	1
2	0294377	Adapter	1
3	00078	Upper Packings, leather	2
4	08180	Upper Packings, UHMWPE	3
5	0294376	Upper male adapter	1
6	0294379	Wave spring	1
7	00302	Locknut	1
8	0294317	Cylinder	1
9	13364	Wave spring	1
10	0294315	Piston rod	1
11	0294326	Lower male adapter	1
12	09091	Lower packings, leather	2
13	08070	Lower packings, UHMWPE	3
14	0294381	Lower female adapter	1
15	13458	Upper ball stop disc	1
16	13357	Upper ball cage	1
17	50164	Upper ball	1
18	13359	Upper ball seat	1
19	09446	Washer	1
20	13481	Piston seat retainer	1
21	13482	Jam nut	1
22	13381	O-ring	1
23	13380	Lower ball stop disc	1
24	51519	Lower ball	1
25	00311	Lower ball cage	1
26	00310	Lower ball seat	1
27	00203	O-ring	1
28	13403	Inlet valve holder	1

## REPAIR KITS

KIT NO.	DESCRIPTION
0294904	Packing Kit Includes Items 2 through 6, 9, 11 through 14, 17, 19, 22, 24 & 27.
0294689	Valve Repair Kit Includes items 17 through 19, 22, 24, 26 & 27

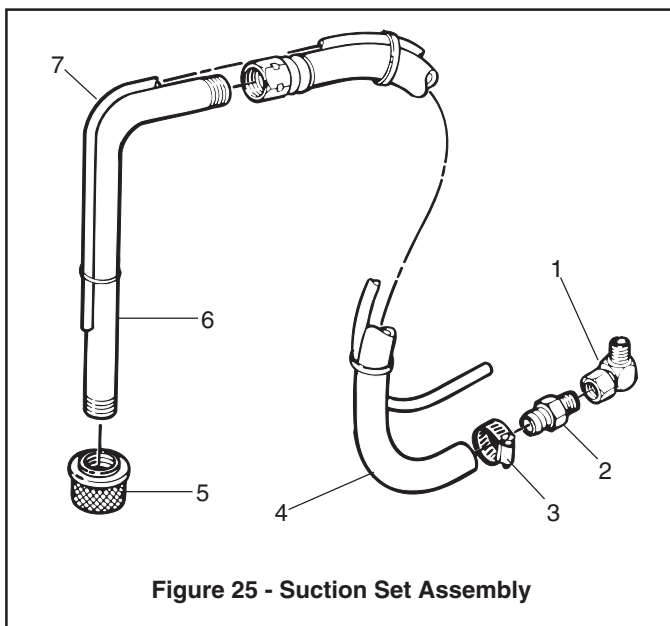
Figure 23 - Fluid Section

## TRANSDUCER ASSEMBLY - FIGURE 24



ITEM	PART NO.	DESCRIPTION	QTY
1	50431	Retainer ring	1
2	50504	O-ring	1
3	02216	Transducer body	1
4	02232	Piston	1
5	50512	Back-up ring	1
6	50482	O-ring - Standard material	1
	02305*	O-Ring - Lacquer based material	1
7	50423	Retainer ring	1
8	02283	Transducer Packing Kit Includes Items 1, 2, and 4 through 7.	

\* Optional - for lacquer based material



## 0294185 SUCTION SET ASSEMBLY - FIGURE 25

ITEM	PART NO.	DESCRIPTION	QTY
1	0090447	Elbow, Outlet	1
2	13455	Fitting, Hose	1
3	53635	Clamp, Hose	1
4	0294426	Hose, Siphon	1
5	02975	Strainer	1
6	13463	Tube, Siphon	1
7	0294424	Hose, Return	1

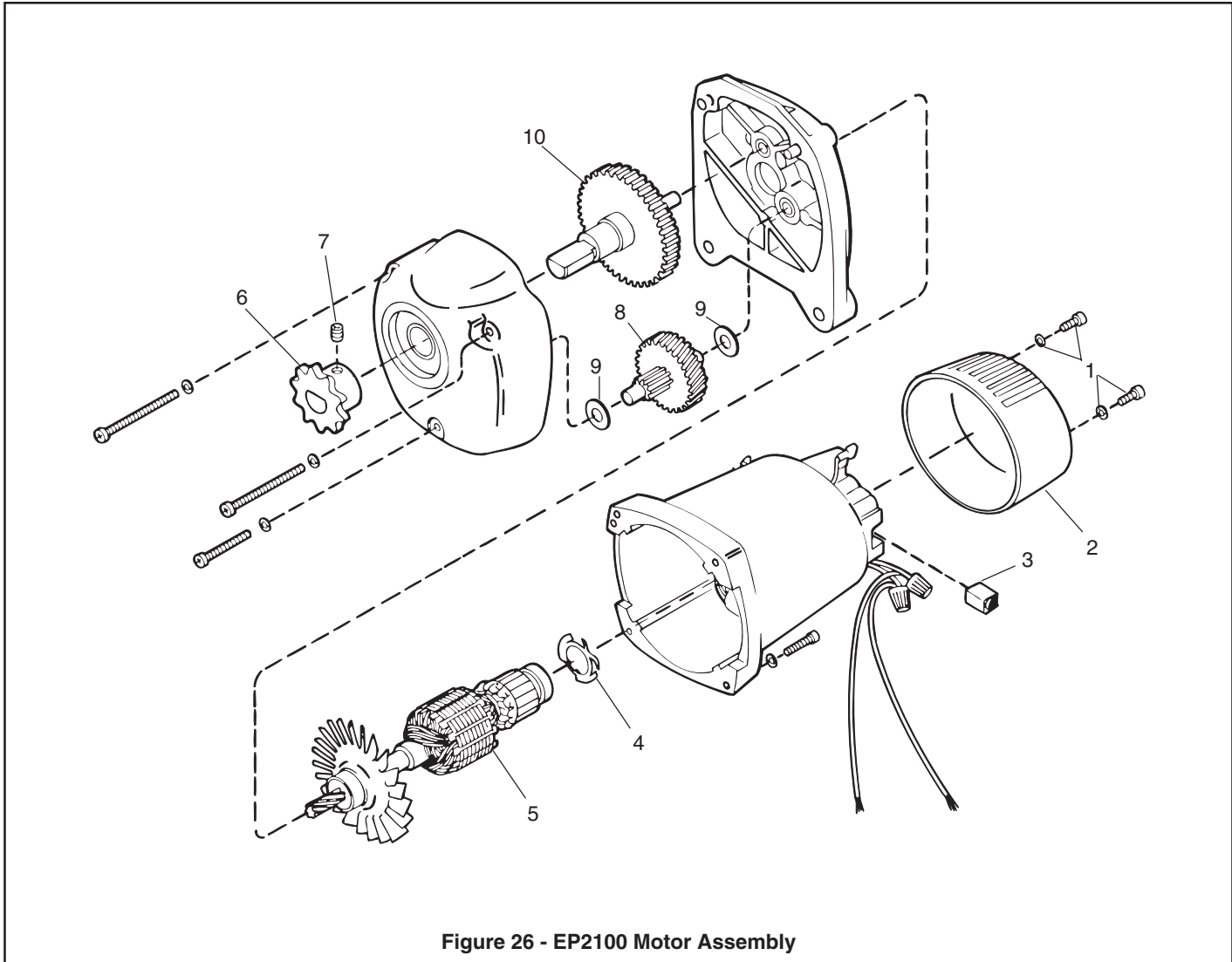


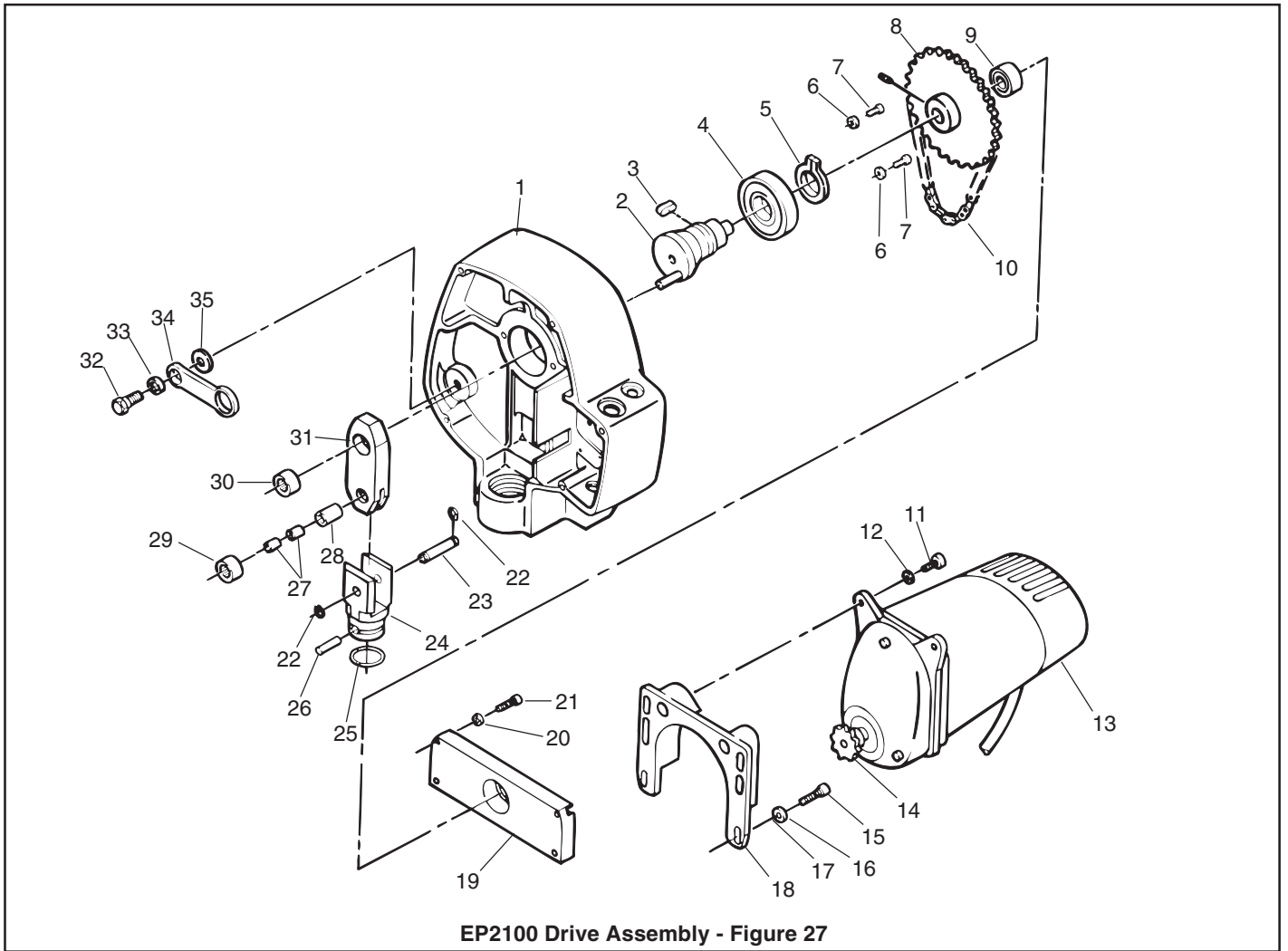
Figure 26 - EP2100 Motor Assembly

## EP2100 MOTOR ASSEMBLY - FIGURE 26

ITEM	PART NO.	DESCRIPTION	QTY.	ITEM	PART NO.	DESCRIPTION	QTY.
1		Screw	2	7	51691	Set Screw*	2
2	10219	End Cap	2	8	0294418	1st Stage Gear & Pinion Assy.	1
3	0294417	Brush	2	9	10223	Washer	2
4	10224	Washer	1	10	10200	Gear w/Spindle	1
5	0294423	Armature w/bearings	1				
6	0294382	Sprocket*	1				

\* Motor does not include these items.





EP2100 Drive Assembly - Figure 27

## EP2100 DRIVE ASSEMBLY - FIGURE 27

ITEM	PART NO.	DESCRIPTION	QTY.	ITEM	PART NO.	DESCRIPTION	QTY.
1	0294348	Housing Machined	1	19	0294351	Bearing Block	1
2	0294321	Crankshaft	1	20	50148	LockWasher	4
3	05304	Key	1	21	53074	Screw	4
4	51837	Bearing	1	22	51187	Retainer Ring	2
5	51845	Retainer Ring	1	23	0294365	Yoke Pin	1
6	11843	Washer	2	24	0294606	Yoke	1
7	53082	Screw	2	25	0294301	Retainer, Spring	1
8	0294372	Sprocket	1	26	0294302	Pin, Connecting	1
9	50547	Bearing	1	27	0294367	Bearing	2
10	10006	Chain	1	28	0294364	Bushing	1
11	54190	Screw	2	29	0294366	Bearing	1
12	50733	Lock Washer	2	30	50555	Bearing	1
13	0294308	Motor	1	31	0294604	Connecting Rod	1
14	0294382	Sprocket	1	32	0294410	Shoulder Bolt	1
15	51349	Screw	4	33	0294368	Bearing	1
16	51357	Lockwasher	4	34	0294602	Drag LinK	1
17	51365	Washer	4	35	0294446	Washer	1
18	0294374	Bracket	1				

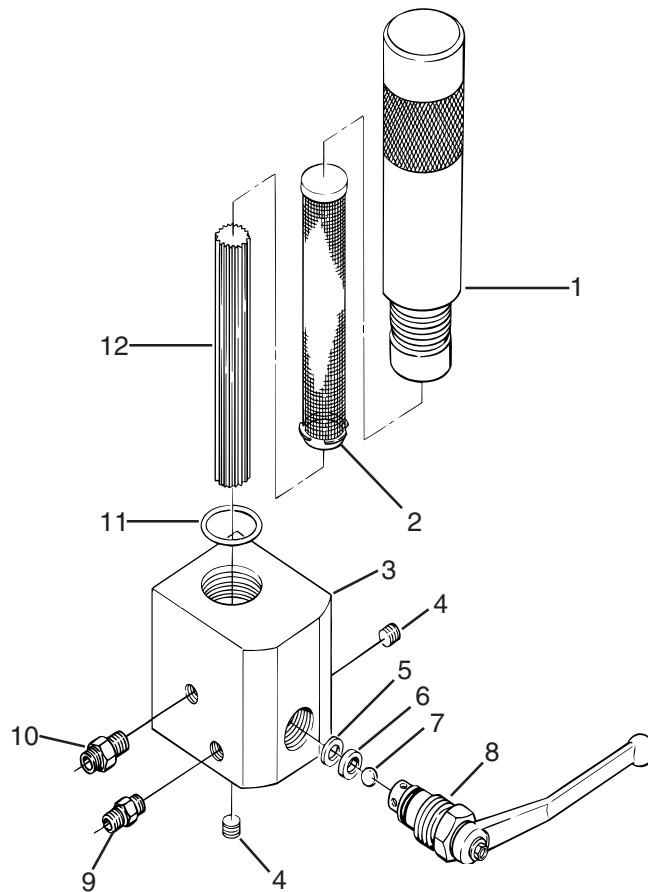


Figure 28.- Dump Valve Assembly

## 0294220 OPTIONAL FILTER/DUMP VALVE ASSEMBLY - FIGURE 28

ITEM	PART NO.	DESCRIPTION	QTY.	ITEM	PART NO.	DESCRIPTION	QTY.
1	0294194	Filter Body Assembly	1	6	0294516	Seat, Valve	1
2	14069	Filter Sieve (50 Mesh)	1	7	9841502	Ball, 10mm	1
	14068	Filter Sieve (100 Mesh)		8	0294214	Dump Valve Cartridge	1
		<b>(OPTIONAL)</b>		9	05045	Nipple	1
3	0294555	Head, Filter/Dump Valve	1	10	9885563	Fitting, Return	1
4	51055	Plug, Pipe	2	11	14072	O-Ring	1
5	0294499	Seal, Dump Valve	1	12	14066	Support, Filter	1

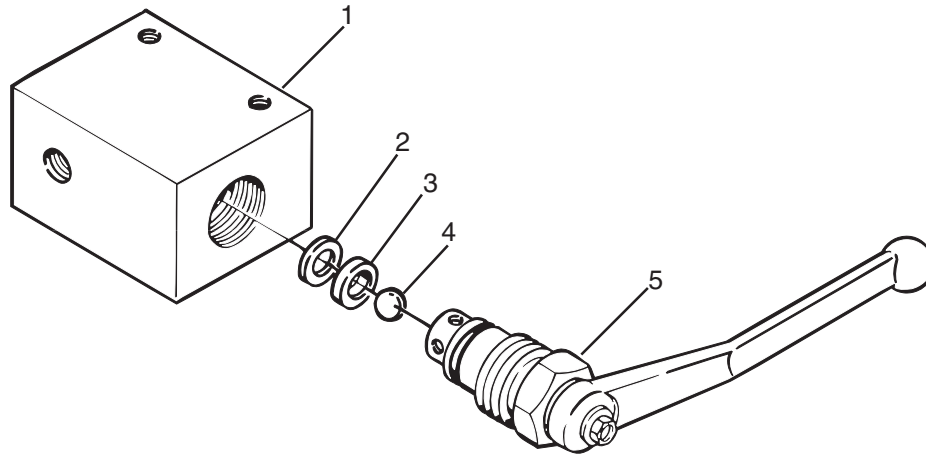


Figure 29 - Dump Valve Assembly

## 0294215 DUMP VALVE ASSEMBLY - FIGURE 29

Item	Part No.	Description	Qty.	Item	Part No.	Description	Qty.
1	0294498	Body, Dump Valve	1	4	9841502	Ball, 10mm	1
2	0294499	Seal, Dump Valve	1	5	0294214	Dump Valve Cartridge	1
3	0294516	Seat, Valve	1				

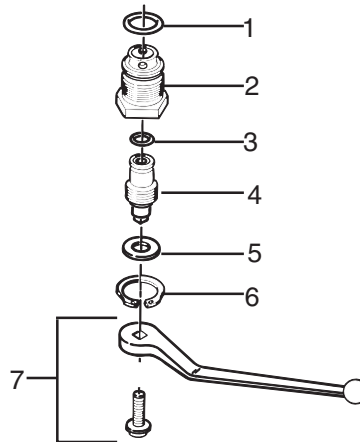


Figure 30 - Dump Valve Cartridge

## 0294214 DUMP VALVE CARTRIDGE - FIGURE 30

Item	Part No.	Description	Qty.	Item	Part No.	Description	Qty.
1	9871046	O-Ring	1	5	0294501	Washer, Dump Valve	1
2	0294498	Body, Dump Valve	1	6	9822516	Plug, Retainer	1
3	9871045	O-Ring	1	7	0294711	Handle, Dump Valve	1
4	0294500	Stem, Dump Valve	1				