



Posh Pedicure Sink

Model # PRO POSH

Dimensions: 17.63”L x 17.63”W x 8.63”H

Weight: 35 lbs.

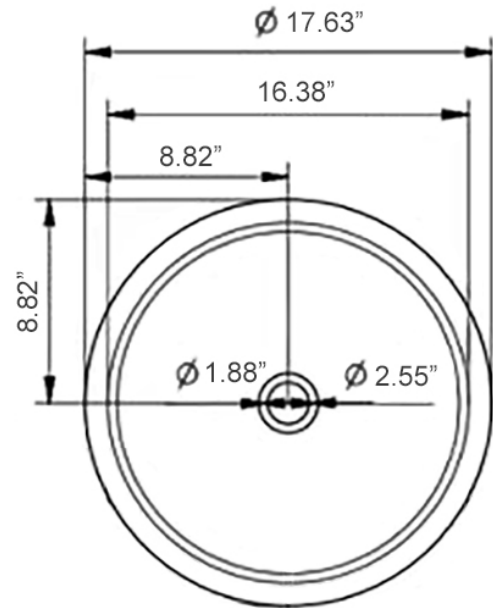
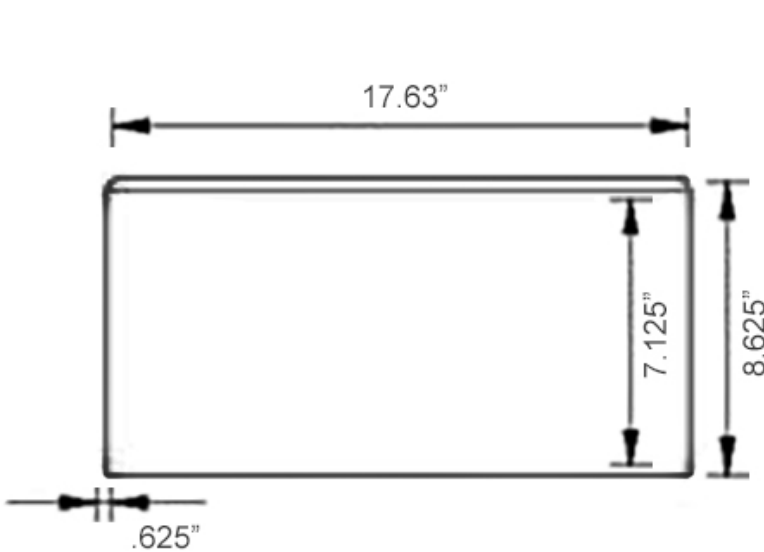
Material: Ceramic

Sink Type: Soaker (non-jetted)

Install Type: Surface Mount

Warranty: 1 Year

All measurements are approx.



Posh Pedicure Sink

Sink Specifications

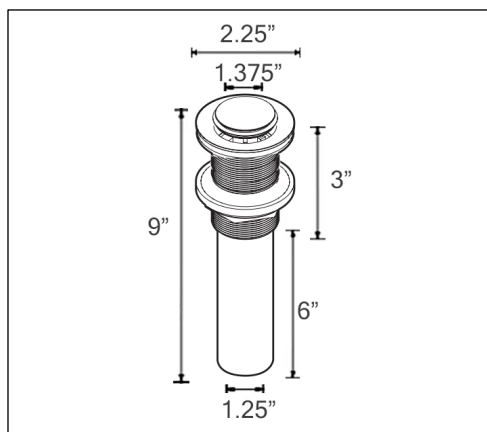
- Overall Sink Dimensions: 17.63" L x 17.63"W x 8.63"H
- Rim Thickness: 5/8"
- Weight: 35 lbs.
- Water Capacity: 5 US Gallons (approx.)
- Color: White
- Surface Mount Installation
- Stationary Application (non-portable)

Sink Features

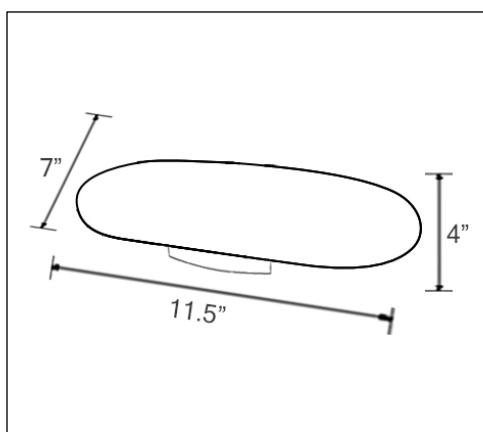
- Poured ceramic and stone mix construction throughout
- Smooth polished interior and exterior finish
- Pre-drilled drain hole
- Fits up to a men's size 13 foot
- 1 Year Warranty against any manufacturer defects (does not cover stain / discoloration by use of harsh chemicals)

Accessory Details & Specs (optional)

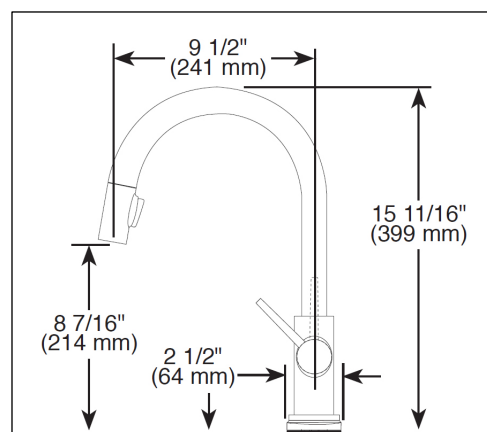
- Drain: 1 1/4" Pop-up W/O Overflow (cUPC approved)
- Removable Footrest: 11.5" L x 7" D x 4" H
- Faucet Height Clearance: 8 7/16" (trinsic model) cUPC approved
- Faucet Swivel: 360 Degrees (trinsic model)
- Faucet Connections: 3/8" compression fittings (trinsic model)
- For detailed accessory specifications please refer to individual product page/specs



Pop-U Drain



Removable Footrest



Pullout Faucet (Trinsic Model)

Note

Specifications and details are subject to revisions without notice. For most current specs contact our office