



Meridian  
PEDICURE • MANICURE • BEAUTY

# Oasis Drop-in Pedicure Sink

Model # PRO OASIS

Dimensions: 19.48" L x 19.48" W x 10.23" H

Weight: 50 lbs.

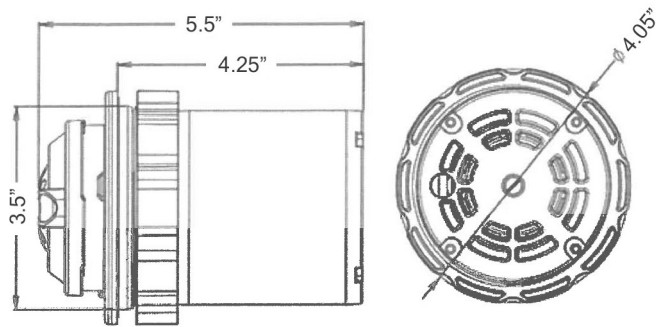
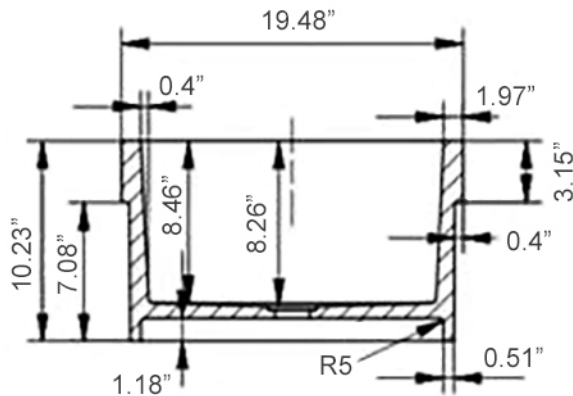
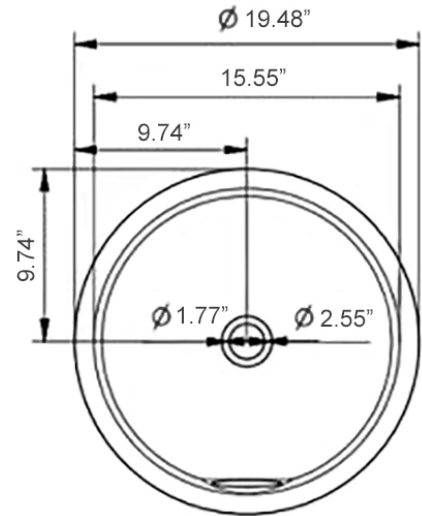
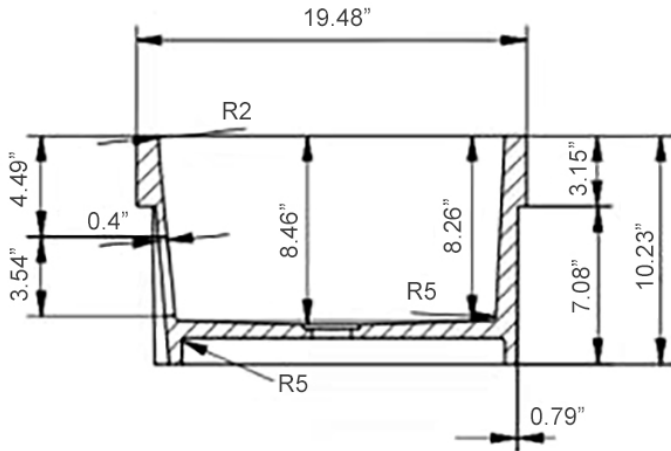
Material: Ceramic

Sink Type: Air Jetted / Whirlpool

Install Application: Drop-in

Warranty: 1 Year

All measurements are approx.



Air Jet Specs

tel: 866.730.7727

email: [info@meridianspas.com](mailto:info@meridianspas.com)

web: [meridianspas.com / spabowls.com](http://meridianspas.com/spabowls.com)

# MERIDIAN SPAS

MANICURE \* PEDICURE \* BEAUTY

# Oasis Drop-in Pedicure Sink

## Sink Specifications

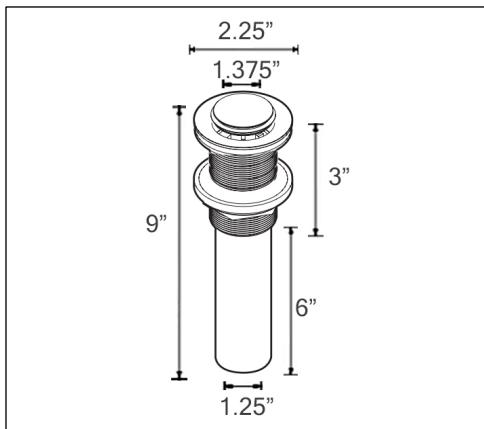
- Overall Dimensions: 19.48" L x 19.48"W x 10.23"H
- Exposed Deck Height: 3.15" / Width: 2"
- Weight: 50 lbs.
- AirJet: 120V / 0.5 AMP / 60 Hz / 50W (UL Approved )
- Air actuated power supply with switch (ETL Listed)
- Dedicated GFCI Required
- Water Capacity: 5 US Gallons (approx.)
- Color: White

## Sink Features

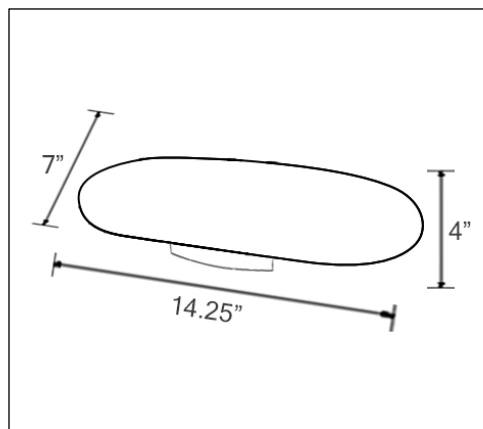
- Poured ceramic and stone mix construction throughout
- Smooth polished interior and exterior finish
- Pre-drilled drain hole
- Fits up to a men's size 13 foot
- 1 Year Warranty against any manufacturer defects (does not cover stain / discoloration by use of harsh chemicals)

## Accessory Details & Specs (optional)

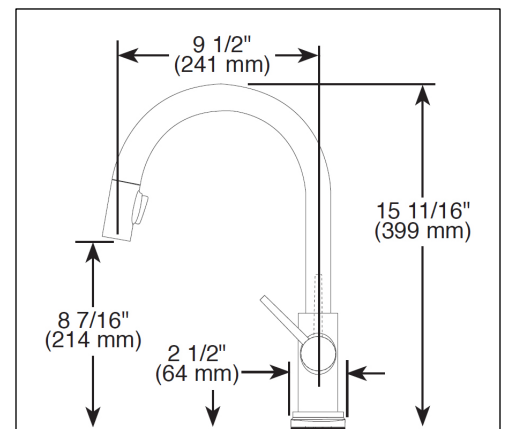
- Drain: 1 ¼" Pop-up W/O Overflow (cUPC approved)
- Removable Footrest: 14.25" L x 7" D x 4" H
- Faucet Height Clearance: 8 7/16" (trinsic model) cUPC approved
- Faucet Swivel: 360 Degrees (trinsic model)
- Faucet Connections: 3/8" compression fittings (trinsic model)
- For detailed accessory specifications please refer to individual product page/specs



Pop-U Drain



Removable Footrest



Pullout Faucet (Trinsic Model)

### Note

Specifications and details are subject to revisions without notice. For most current specs contact our office