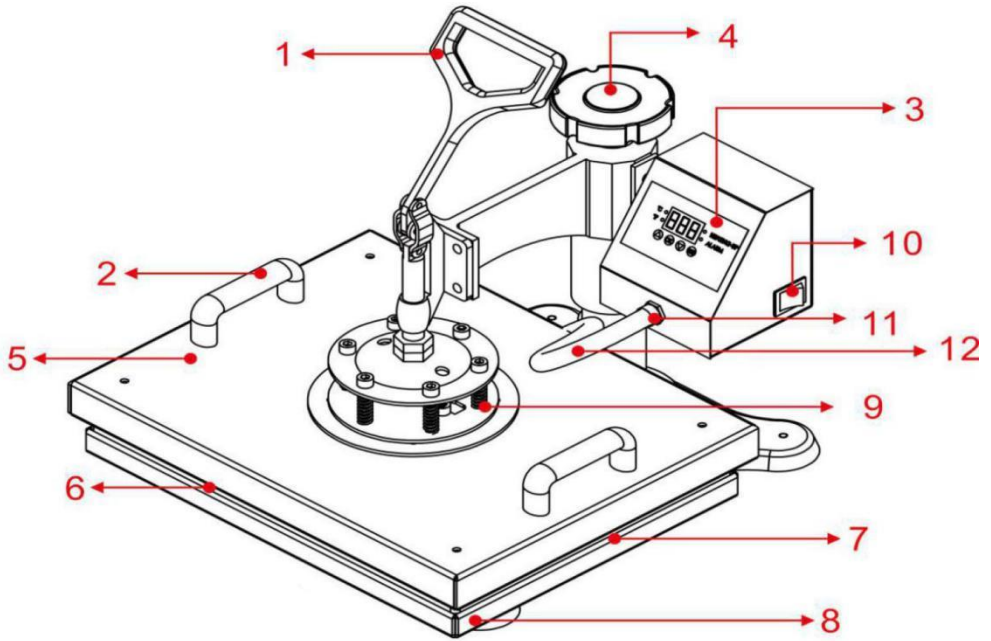




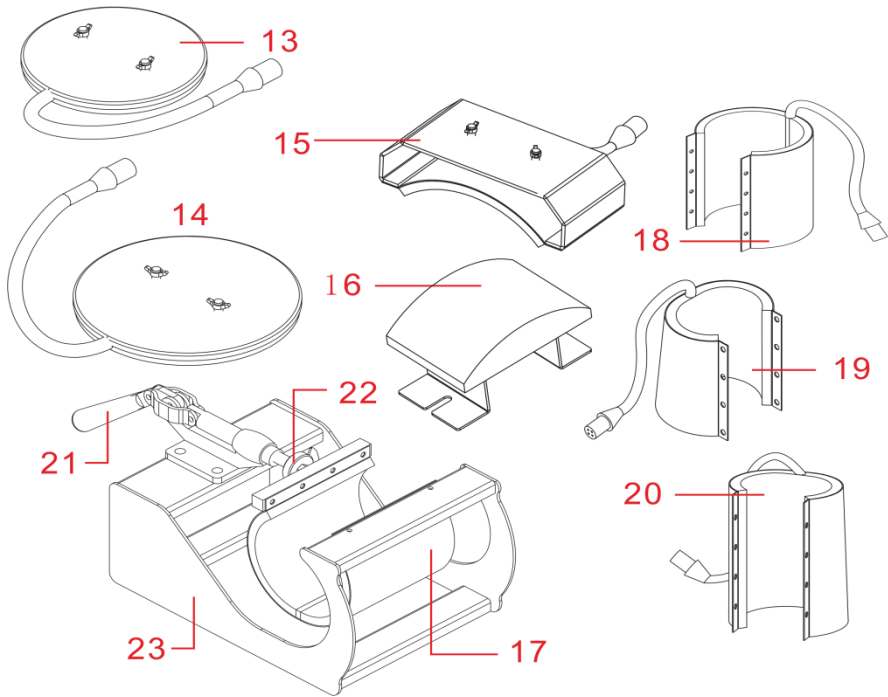
15"x15" Swing Away 8-in-1 Heat Press

USER MANUAL

Machine Introduction



1. Pressure Handle
2. Burn-proof Handle
3. Temp/Time Controller
4. Pressure Adjustment Knob
5. Anti-scald Protective Cover
6. Aluminum Heating Plate
7. High-temp Resistant Pad
8. Workbench
9. Stainless Steel Spring
10. Power Switch
11. Air Interface
12. High-temp Resistant Line



- 13. Plate Attachment 4.9inch (12.5cm) max diameter
- 14. Plate Attachment 5.9inch (15cm) max diameter
- 15. Cap/Hat Attachment 6x3inch (15x8cm) max (curved)
- 16. Cap/Hat Base 6x3inch (15x8cm) max (curved)
- 17. Mug Attachment 3-3.7inch (7.5-9.5cm) max diameter Maximum transfer area: 8.2x3.7 inch (21x9.5cm)
- 18. 10oz Cylindrical Mug Attachment 2-3inch (5-7.5cm) max diameter
- 19. 12oz Conical Mug Attachment 3.5*3.85inch (9-9.8cm) max diameter
- 20. 17oz Conical Mug Attachment 3.46*5.8inch (8.8-14.9cm) max diameter
- 21. Mug Pressure Handle
- 22. Mug Pressure Adjustment Knob
- 23. Mug Press Base

Technical Parameters

Heating Plate (Teflon Coated): 15*15inch

Voltage: 110V

Power: 1000W Max/ 1300W Max

Temp Range: 0-480°F / 0-250°C Heating Up Time: 5-15 minutes

Time Range: 0-999 s

Gross Weight: 66lb

***We do not recommend setting the temperature above 400 °F/ 204 °C**

Before Using

- 1. Please keep out of the reach of children and read the whole instruction manual carefully.**
2. Ensure that the quality of the power outlet used is up to code and the maximum power is greater than the power of the machine.
3. Every time the machine is turned on, the heating plate must be preheated for a period of time to reach the target temperature. The first warm-up may take 20 minutes to reach 360°F/ 180°C. It is recommended to test on a scrap piece of material prior to first use. After finishing any project, turn off and unplug the heat press.

Maintenance and care of the machine

1. Do not touch the heat plate when the machine is on or after use. The plate can get very hot, allow ample time for the plate to cool after use.
2. Don't let the power cord touch the heating plate.
3. Do not set the temperature above **400°F / 204°C** for an extended period of time, this will help extend the life of the machine.
4. Keep the machine dry, do not store in an area with high humidity.
5. Ensure the machine is fully cooled before moving, packing, or storing.
6. Turn off the press for 15 minutes after 4 hours of continuous use.
7. Don't operate other high-power equipment on the same circuit.
8. Do not disassemble the heat press.
9. Do not operate heat press with a damaged cord or when the equipment has been broken.
10. Do not immerse the heat press in water or other liquid.
11. In case of thunderstorms / adverse working conditions, please turn the machine off and unplug from the outlet.
12. When not in use, store heat press open.

Suggested Temp and Time

Substrate	Temperature	Time (s)	Note
Polyester	360°F / 180°C	25-30	Sublimation Paper, Sublimation Ink, Print Mirror Mode, Heavy Pressure
Dark Cotton	330°F / 165°C	25-30	Dark Transfer Paper, Ink Jet, non- Mirror Mode , place the patterned side up, Heavy Pressure
Light Cotton	330°F / 165°C	25-30	Dark Transfer Paper, Ink Jet, non- Mirror Mode , place the patterned side up, Heavy Pressure
HTV Vinyl Film	290°F / 145°C	10-15	Cut material side up using Mirror Mode with a vinyl cutter (ensure you do not cut through the clear heat resistant transfer tape backing), weed excess vinyl, place design down on garment utilizing the heat resistant transfer tape. Normal Pressure
Mouse Pad	380°F / 190°C	30-40	Sublimation Paper, Print Mirror Mode, Heavy Pressure
MDF Blank (0.3cm Thick)	360°F / 180°C	30-40	Sublimation Paper, Sublimation Ink, Print Mirror Mode, Reverse Baking (Substrate Face Down) Heavy Pressure

MDF Blank (1.2cm Thick)	360°F / 180°C	150-170	Sublimation Paper, Sublimation Ink, Print Mirror Mode, Reverse Baking (Substrate Face Down) Heavy Pressure
Stone Slate	360°F / 180°C	180-190	Sublimation Paper, Sublimation Ink, Print Mirror Mode, Reverse Baking (Substrate Face Down) Low Pressure
Aluminum Sheet	360°F / 180°C	20-25	Sublimation Paper, Sublimation Ink, Print Mirror Mode, Heavy Pressure , Remove the protective film from the plate before application
Porcelain Board	360°F / 180°C	240-360	Sublimation Paper, Sublimation Ink, Print Mirror Mode, Reverse B(Substrate face down) Heavy Pressure
High-temp Resistant Puzzle	360°F / 180°C	30-40	Sublimation Paper, Sublimation Ink, Print Mirror Mode, Normal Pressure

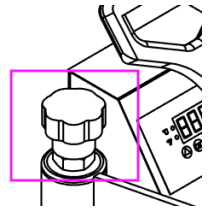
Ceramic Mug	360°F / 180°C	120-170	Sublimation Paper, Sublimation Ink, Print Mirror Mode, Moderate Pressure
Glass Beer Cup	360°F / 180°C	150-180	Sublimation Paper, Sublimation Ink, Print Mirror Mode, Moderate Pressure
Aluminum Bottle	340°F / 170°C	25-30	Sublimation Paper, Sublimation Ink, Print Mirror Mode, Low Pressure, Remove Cap

Stainless Steel Bottle	340°F / 170°C	30-35	Sublimation Paper, Sublimation Ink, Print Mirror Mode, Moderate Pressure
Heat Resistant Plastic Cup	230°F / 110°C	25-30	Sublimation Paper, Sublimation Ink, Print Mirror Mode, Low Pressure
Plate	360°F / 180°C	120	Sublimation Paper, Sublimation Ink, Print Mirror Mode, Moderate Pressure
Cap/Hat	360°F / 180°C	25-30	Sublimation Paper, Sublimation Ink, Print Mirror Mode, Heavy Pressure

General Operation Process: Main Press

1. Adjust the pressure

- ① Before starting, use the pressure knob to adjust the pressure between the top heating plate and the bottom platen.
- ② Turn the knob clockwise to increase pressure, turn counterclockwise to reduce pressure.
- ③ When adjusting the pressure, place the substrate on the silicone pad. Push the handle down before adjusting the pressure (Textiles may need more pressure).

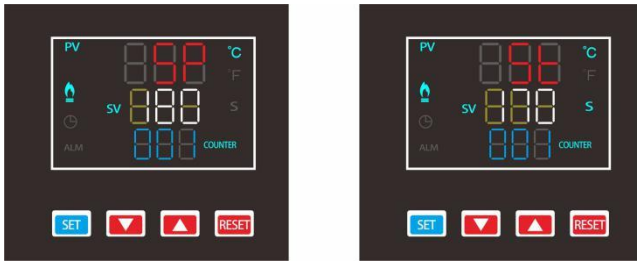


2. Connect the power

- ① Check the power cord and ensure the press is on a flat, level surface.

- ② Connect the power cord to a grounded outlet with sufficient current and power.
- ③ Turn on the power to light up the panel.

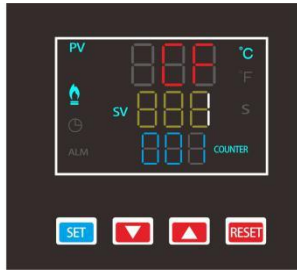
3. Setting the Time & Temperature



- 1) Setting the Target Temperature: Press the "SET" button. When the panel shows "SP" press ▲ (up) or ▼ (down) to set the temperature. Refer to "Suggested Time and Temperature" to determine the suitable temperature and time according to the materials you intend to use.
- 2) Setting the Target Time: Press the "SET" button. When the panel shows "SL" press ▲ (up) or ▼ (down) to set the time.
- 3) Press the "SET" button again for 3 seconds to save the temperature and time settings.
- 4) Working Temperature: After you save the target temperature and time, the panel will show the working temperature, which is the current temperature of the heat plate. The heat plate will take some time to warm up. Please wait until the **working temperature** reaches the **target temperature** - only then the machine is ready to use.

Usage Counter RESET: The panel will count the number of presses automatically. Press the "RESET" button for about 3 seconds to reset the usage counter to zero.

Switching Between Celsius & Fahrenheit:



- 1) Press the “**SET**” button for several seconds, the display shows "LOY"
- 2) Press ▼(down) or ▲(up) button until the panel shows "88"
- 3) Press the “**SET**” button until the the display shows "CF", then press button ▼▲ to switch between Celsius and Fahrenheit.
- 4) Select “0” for Celsius and “1” for Fahrenheit.
- 5) Make your selection and press the “**SET**” button for 3 seconds to confirm the setting and exit.

4. Prepare Materials

- ① Print sublimation/transfer paper, cut and weed heat transfer vinyl, etc.
- ② After the machine reaches the target temperature, iron the T-shirt for 2s to remove wrinkles and moisture. For sublimation blanks, make sure any protective film has been removed

5. 15”x15” Press & Mug Transfer Examples:

Press 15”x 15” Press:

Align substrate (shirt, bag, etc) and transfer material (HTV, Sublimation transfer, etc) on bottom plate of press. The transfer media should be placed on top of the substrate so it gets direct heat from the top plate. Please note it is always recommended to use a protective heat resistant sheet between the top heat plate and the substrate/transfer.

A. Sublimation/ Light Transfer Paper pattern face down

B. Dark Transfer Paper pattern face up

C. Heat Transfer Vinyl pattern face up

Align the top and bottom plate and press down the handle, press "ENTER" to start countdown.

Press "ENTER" again when the machine beeps. Pull the handle up to open the top plate and remove your substrate.

Mugs:

Place the mug in the mug attachment and then in the mug press. Close the mug press using the handle to check the pressure. Adjust the pressure as needed then remove the mug.

- ① Secure the sublimation paper to the mug with heat resistant tape ensuring the image side is facing the mug.
- ② Place the mug in the middle of the heat pad to allow for even heat.
- ③ Put down the handle, press "ENTER" (red button on side of press) to start countdown. The temperature will drop a lot at this time, it's normal. Please Wait for the temperature to return to the set temperature before pressing the next mug or cup.
- ④ Press "ENTER" again when the machine beeps.

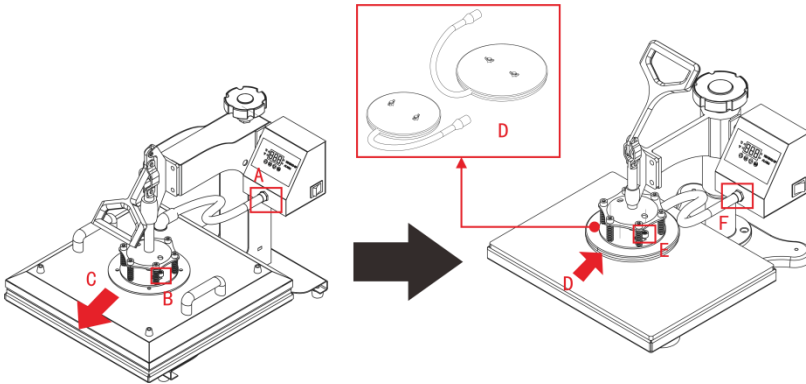
6. Retrieving the finished product

CAUTION: The mug will be extremely hot and can lead to burns. Do not handle the mug with bare hands.

Recommendation: Use a scrap mug to practice on to ensure correct heat, time, and pressure. Preheating the mug for 10-15 seconds prior to step ① will help ensure a better transfer.

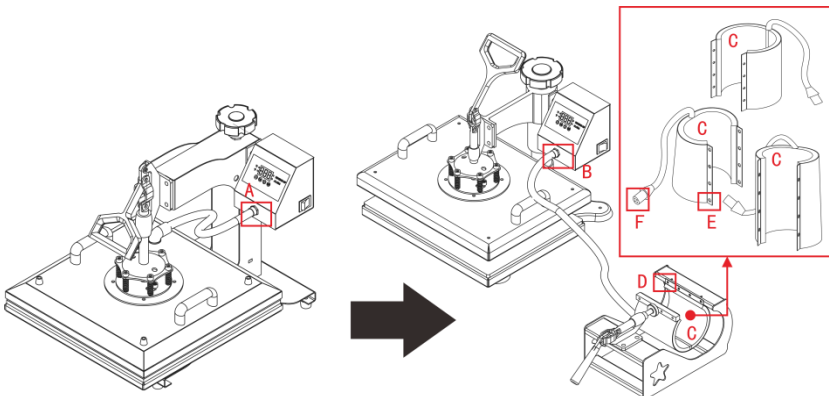
Installing Attachments:

1. Plate Attachments



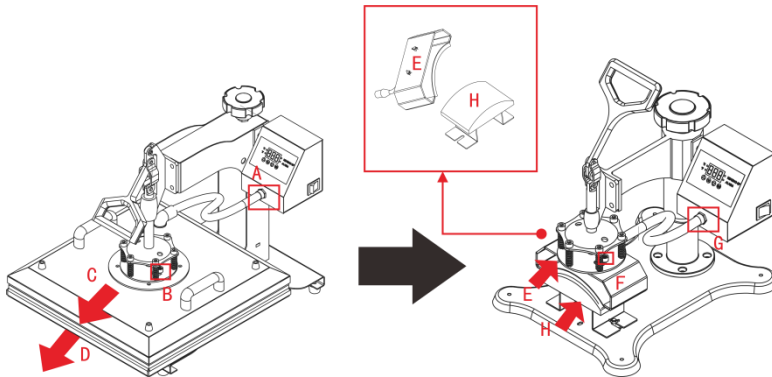
- 1) Make sure the machine is powered off, unscrew & unplug the power interface cord from the front of panel **A**, Lift the handle up and loosen the 2 screws **B**, Remove the heating plate **C** horizontally outward.
- 2) Insert the one of the plate presses **D** and tighten the 2 screws **E**, attach and tighten the power interface cord **F**.
- 3) The press is now ready for use and can be powered back on.

4) Mug Attachments



- 1) Make sure the machine is powered off, unscrew & unplug the power interface cord from the front of panel **A**
- 2) Insert selected mug heading pad **C** into mug base **D**
 - Loosen and remove the screws on both sides of the mug base **D**
 - Align the holes **E** of the desired mug pad with the corresponding holes of the mug base **D** and tighten the screws
- 3) Attach the power interface cord **F** of selected mug heating pad to front panel **B**
- 4) The press is now ready for use and can be powered back on.

3. Hat Attachment



- 1) Make sure the machine is powered off, unscrew & unplug the power interface cord from the front of panel **A**, Lift the handle up and loosen the 2 screws **B**, Remove the heating plate **C** horizontally outward.
- 2) Loosen the bottom screws of lower heat press and remove table **D**.

- 3) Place the heating cap base **H** in the corresponding position and tighten the bottom 2 screws.
- 4) Attach the heating cap pad **E**, tighten the 2 screws **F**, attach power interface cord **G** of the heat cap pad and tighten.
- 5) The press is now ready for use and can be powered back on.

Troubleshooting

1. **Color is too light:** Time too short / Temp too low / Pressure too low. Please check each parameter one by one.
2. **Image blur:** Time too long / Pressure too high / Temp too high, which causes the ink to spread / the vinyl film to melt/ the coating of substrate may be uneven, please check each parameter one by one.
3. **Partial image blur:** Time too long / Pressure too high / Temp too high / **substrate coating is uneven / moved during transfer**, please check each parameter one by one. Use heat resistant tape to keep the transfer in place during the pressing process to avoid ghosting.
4. **Paper glued to substrate:** Temp too high / Pressure too heavy / Substrate coating is too thick / Ink is not dry after printing, please check each parameter one by one.

Machine Error Help

1. The machine does not turn on

Check plug / power switch / panel controller / fuse

2. At the beginning of the job the panel controller does not display the countdown/ after the countdown is completed, the buzzer does not sound

Check the countdown micro-switch.

3. Press cannot be opened

① Adjust the pressure knob counter-clockwise to reduce the pressure, pull up on the handle.

② If it still cannot be opened, turn on the power switch and set the heating plate with higher temperature, then pull up on the handle.

4. After replacing the heating plate, the temp and time become abnormal/ the temp does not increase.

Reset the temp and time.

5.The machine keeps beeping

Press the "ENTER" button, please check if the temperature is too high (Such as incorrect Celsius and Fahrenheit settings), voltage error.

6.After receiving the machine there is a strong odor

After passing the factory startup test, the silicone pad may produce a non-toxic odor, the smell will disappear after using the machine several times.

7.The square plate in the middle of the machine keeps shaking

Tighten the screws which attaches the plate to the press.

8. Fogging out

Like an iron, when the air humidity is high / the temp difference is high, heating may produce evaporation. This is normal.

9. Part of surface on the machine is rusted

This can happen due to storage of the press. A small area of rust on its surface will not have a negative effect on how the machine works.

6.The plate in the middle of the machine keeps shaking

Ensure all the screws are tight and the heat platen is properly seated

Tips

1. Keep the machine clean. Dust can damage electronic accessories. Clean the machine and panel controller every six months.
2. Clean heating pads with a damp soft cloth once a month. If it is difficult to clean, use mineral alcohol.
3. In order to maintain a good transfer effect of the heating plate, the heating pads needs to be carefully protected during use. It is always recommended to use a heat resistant protectant sheet between the pad and the project.
4. Lubricate all exposed rods once a year with WD-40 oil or any metal lubricant.
5. When the silicone pad / sponge elasticity is insufficient, it should be replaced

About Sublimation Paper

1. Keep sublimation paper in a dry place. Put the unused paper back in the box. If it is kept outside the box for a long time, the paper may absorb the moisture in the air and curl which can result in poor transfers.
2. **Ink, Printer:** Use sublimation ink & paper for all sublimation blanks. Heat transfer and printable heat transfer vinyl can be used with the press on a variety of non-sublimation cups and mugs.
3. **Transfer process:** Select "Mirror Mode" when printing. If the color looks dark or dull after printing, this is normal. Sublimation paper will curl quickly when heated, it is recommended that heat resistant tape is used to hold the sublimation paper to the fabric or sublimation blank.
4. **Other questions:** Due to the large number factors involved in sublimation, please check each of the following items:
 - ① Whether the substrate is wet / expired / poor quality, the surface of the hard object must have a sublimation coating.
 - ② Printer Settings: Set the paper to "High Quality Plain Paper/Photo Paper",

set the quality to "High Quality" and set the speed to "Slowest". Click "More Options" to customize the color correction.

③ Whether the sublimation ink has expired/deteriorated. Ensure the print heads are clean and clear of dried ink.

④ Heat press heating plate is not hot enough/ large temperature fluctuations/ time is not enough / pressure too low. If **360°F/180°C** is set, please use a thermometer to test at **multiple positions on the heating plate**. It is normal for the heating plate to have slight heat fluctuations within a few degrees.

Save 25% off All Siser Heat Transfer Vinyl (HTV) with Coupon Code:
SWINGHEATPRESS

Save 10% off all Sublimation Blanks with Coupon Code:
SWINGSUBBLANKS

Contact Us

Swing Design

support@swingdesign.com

978-371-2211

www.swingdesign.com