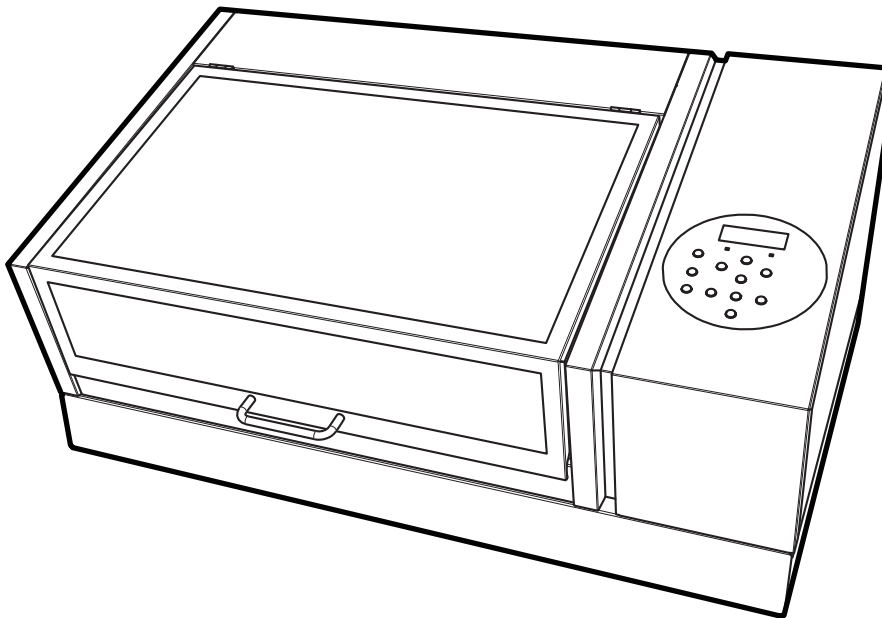


# **VersaUV**

# **LEF2-200**

---

## **User's Manual**



Thank you very much for purchasing this product.

- To ensure correct and safe usage with a full understanding of this product's performance, please be sure to read through this manual completely and store it in a safe location.
- Unauthorized copying or transferal, in whole or in part, of this manual is prohibited.
- The specifications of this product and the contents of this operation manual are subject to change without notice.
- This manual and the product have been prepared and tested as much as possible. If you find any misprints or errors, please inform Roland DG Corporation.
- Roland DG Corporation assumes no responsibility for any direct or indirect loss or damage that may occur through use of this product, regardless of any failure to perform on the part of this product.
- Roland DG Corporation assumes no responsibility for any direct or indirect loss or damage that may occur with respect to any article made using this product.

# Contents

<b>Chapter 1 Basic Handling Methods .....</b>	<b>6</b>
1. Basic Information .....	7
Part Names and Functions.....	8
Printer Unit.....	8
Head refresher .....	11
Operation Panel.....	12
Display Screen .....	13
Object to Be Printed On.....	14
Conditions for Settable Objects to Be Printed On .....	14
Printable Area.....	15
Features of Inks .....	16
Features of ECO-UV Inks.....	16
Features of Primer.....	16
Menu List .....	17
Main Menu.....	17
Function Menu .....	20
Language and Unit Menu .....	21
2. Basic Operations.....	22
Power Supply Operations .....	23
Turning the Power On .....	23
Turning the Power Off .....	24
Precautions When Operating the Power Supply .....	25
Sleep Mode (Power-saving Feature).....	26
Checks before Operations .....	27
LAN (Local Area Network) Settings.....	27
Preventing Sedimentation in Inks.....	28
<b>Chapter 2 Output Method .....</b>	<b>29</b>
1. Printing Operations .....	30
Printing method.....	31
Checking the Daily Workflow .....	31
Three Checks before Printing .....	32
Step1: Preparing for the Start of Daily Operations.....	34
Step 2: Start Printing .....	44
Step 3: Head Refreshing after Daily Operations .....	51
Pausing and Canceling Printing.....	56
Pausing and Resuming Printing .....	56
Canceling Printing.....	56
<b>Chapter 3 Optimizing Quality and Efficiency.....</b>	<b>57</b>
1. Optimizing the Setup Method .....	58
Adjusting the Height.....	59
Setting the Height of the Object to Be Printed On Manually .....	59
Adjusting the Distance between the Object to Be Printed On and the Print Heads .....	61
Enabling Automatic Height Adjustment during Printing .....	62
Determining the Maximum Value (Threshold) for Automatic Height Adjustment.....	63
Notes When the Print Surface Is Uneven .....	64
Changing the Z-axis (Height) Origin .....	65
Print Area Settings .....	66
Fixing the Base Position of the Print Area .....	66
Setting the Print Area Using the Center of the Print Area as the Base Position .....	67
Changing Just the Base (Home) Position .....	73

2. Optimizing the Printing Quality .....	75
Preventing Ink Discharge Defects .....	76
Preventing Soiling of the Object to Be Printed On and Dot Drop-out .....	76
Reducing Ink Mist (Ink Spatter) .....	77
Preventing Primer Dot Drop-out .....	78
Improving Ink Adhesion .....	79
Additional UV Lamp Illumination after Printing .....	79
3. Optimizing Work Efficiency .....	80
Using the Preset Function .....	81
Saving the Current Settings in Presets .....	81
Load a Preset and Print .....	83
Making Fine Adjustments and Printing a Preset .....	84
Reducing Print Time .....	85
Omitting the Setting of the Print Area .....	85
Continuously Printing Multiple Sets of Data .....	86
Minimizing Print Head Movement .....	87
Setting the Smallest Possible Print Area .....	88
Reducing Paper Used during Printing Tests .....	89
Performing Printing Tests Arranged Horizontally .....	89
4. Optimizing Operation Management .....	90
Managing the Operations Appropriately and Efficiently .....	91
Setting the Date and Time .....	91
Setting the Start Timer .....	92
Sounding a Buzzer to Notify the User of the End of Printing .....	94
Determining What Happens When Ink Runs Out .....	95
Notifying the User of Ink Exceeding Its Shelf Life .....	96
Checking the Ink Shelf Life .....	97
Setting the Activation Interval for Sleep Mode (Power-saving Feature) .....	98
Deactivating the Sleep Mode (Power-saving Feature) .....	99
Managing the Basic Settings of the Printer .....	100
Setting the Menu Language and Units of Measurement .....	100
Viewing System Information .....	101
Returning All Settings to Factory Defaults .....	102

**Chapter 4 Maintenance ..... 103**

1. Introduction .....	104
Important Notes on Handling and Use .....	105
Printer .....	105
Ink Cartridges .....	106
Basic Maintenance Knowledge .....	107
Types and Timing of Maintenance .....	107
Automatic Maintenance Feature and Notes .....	109
Alarm Feature .....	110
Measures When the Printer Is Not in Use for a Prolonged Period .....	111
2. Regular Maintenance .....	112
Cleaning the Machine .....	113
Cleaning the Machine on a Daily Basis .....	113
Replacing Ink Cartridges .....	115
Checking for Remaining Ink .....	115
How to Replace the Ink Cartridge .....	116
Disposing of Discharged Fluid .....	117
Precautions for Disposing of Discharged Fluid .....	117
If the Discharged Fluid Disposal Message Appears .....	118
If the Drain Bottle Exceeds Its Capacity Limit .....	120

If the Contents of the Drain Bottle Are Not Visible .....	122
Maintenance That Must Be Performed Daily .....	123
Maintenance of Ink Cartridges .....	123
Printing Tests and Normal Cleaning.....	124
Head Refreshing Method .....	133
When Normal Cleaning Is Not Effective.....	138
Medium Cleaning Method .....	138
Powerful Cleaning Method.....	140
Manual Cleaning.....	144
When Manual Cleaning Is Necessary .....	144
Manual Cleaning Method.....	145
<b>3. Advanced Maintenance.....</b>	<b>150</b>
Restoring the White Ink Concentration .....	151
Circulating the Ink to Clear Precipitation.....	151
Handling Severe Dot Drop-out .....	153
Handling Severe Dot Drop-out with Spot Color Ink.....	153
Cleaning All Print Heads .....	157
Partially Restricting the Print Heads Used for Printing.....	159
Emergency Measure) Cleaning the Print Head Surface.....	167
<b>4. Replacing Consumable Parts and Products .....</b>	<b>168</b>
How to Replace Consumable Parts.....	169
Replacing the Wipers and Wiper Cleaner.....	169
Replacing the Filter.....	173
Replacing the Cleaning Pad Unit .....	175
Inquiries for Consumable Parts and Products .....	176
Items That You Can Purchase and Replace by Yourself .....	176
Items That Require Inquiries before Replacement .....	176

**Chapter 5 Troubleshooting Methods.....177**

<b>1. Print Quality Problems .....</b>	<b>178</b>
Printed Results Are Coarse or Contain Horizontal Stripes .....	179
Do the print heads cause dot drop-out? .....	179
Are the software RIP settings appropriate?.....	179
Is the printer installed in a level and stable location? .....	179
Is the printer installed in a location that is not exposed to direct sunlight? .....	179
Is the object to be printed on loaded and set up correctly? .....	179
The Object to be Printed on Becomes Soiled When Printed .....	180
Are the print heads dirty? .....	180
Is the humidity of the room too low?.....	180
Colors Are Unstable or Uneven .....	181
Did you shake the ink cartridges before installing them? .....	181
Has the printer been used continuously for a long time? .....	181
Was printing paused partway through? .....	181
Is the printer installed in a level and stable location? .....	181
Is the printer set to pause during printing for cleaning?.....	181
Is the printer being used in a location subject to severe changes in the operating environment?.....	181
Are the settings for the [PRESET] menu item appropriate? .....	181
<b>2. Machine Problems.....</b>	<b>182</b>
The Print Heads Do Not Move .....	183
What to Do First .....	183
If the Heads Still Do Not Move .....	183
The Printer Unit Does Not Run .....	184
Is the power switched on? .....	184
Is [SETUP] lit? .....	184

Are any covers open? .....	184
Is the top menu displayed? .....	184
Is [PAUSE] lit? .....	184
Has the ink run out? .....	184
Is a message displayed on the screen?.....	185
Are the cables connected? .....	185
Is the status LED for the LAN cable connector lit in green?.....	185
Are the LAN settings correct?.....	185
Did the software RIP end abnormally?.....	185
Is the temperature of the room too low?.....	185
The Flat Table Does Not Move.....	186
Is something stuck in one of the movable components inside of the machine? .....	186
Are any covers open? .....	186
The Head Gap Sensor Does Not Detect the Object to Be Printed on .....	187
Is something covering the head gap sensor or has it attracted dust?.....	187
It Is Not Possible to Check the Amount of Discharged Fluid in the Drain Bottle .....	188
Is ink splattered around the inside of the drain bottle? .....	188
<b>3. Messages on the Operation Panel.....</b>	<b>189</b>
Messages .....	190
1 ■ 2 ■ 3 ■ 4 ■ 5 ■ 6 ■ 7 ■ 8 ■.....	190
PRESS THE POWER KEY TO CLEAN .....	190
CIRCULATING INK .....	190
SHAKE WHITE INK CARTRIDGE .....	190
FINISHED PRINT .....	190
SET/REMOVE CARTRIDGE.....	190
CLOSE XXX COVER DRY-UP MAY DAMAGE THE HEAD .....	190
CLOSE XXX COVER .....	190
SET/REMOVE CL-LIQUID .....	191
READJUST TABLE HEIGHT .....	191
DO HEAD REFRESH .....	191
INSTALL DRAIN BOTTLE.....	191
EMPTY DRAIN BOTTLE .....	191
SETUP MEDIA .....	191
TIME FOR FILTER REPLACE.....	191
TIME FOR WIPER REPLACE .....	191
TIME FOR MAINTENANCE .....	192
Error Messages .....	193
AREA TOO SMALL CONTINUE? .....	193
PRINT AREA TOO SMALL.....	193
CANCELED FOR TABLE HEIGHT .....	193
CHECK TABLE HEIGHT .....	193
CHECK HEIGHT OF HEAD REFRESHER .....	193
TEMPERATURE IS TOO HIGH **°C .....	194
TEMPERATURE IS TOO LOW **°C.....	194
DATA ERROR CANCELING.....	194
INK SHELF LIFE EXPIRE 123456 .....	194
WRONG CARTRIDGE.....	194
WRONG HEAD IS INSTALLED.....	194
AVOIDING DRY-UP TURN POWER OFF.....	194
MOTOR ERROR TURN POWER OFF.....	195
CANCELED FOR MOTOR PROTECTION .....	195
SERVICE CALL **** .....	195
<b>Chapter 6 Appendix.....</b>	<b>196</b>
1. Operations When Moving the Unit .....	197
Moving the Unit.....	198
Step 1 : Cleaning All Print Heads .....	198

---

Step 2: Securing the Print Heads and the Flat Table Using Retainers.....	201
Step 3: Reinstalling the Machine.....	202
2. Main Specifications .....	203
Dimensional Drawings .....	204
When using a jig: Hole position for head refresher.....	205
Locations of the Power Rating and Serial Number Label.....	206
Specifications.....	207
3. MEMO .....	208

# **Chapter 1 Basic Handling Methods**

# 1. Basic Information

---

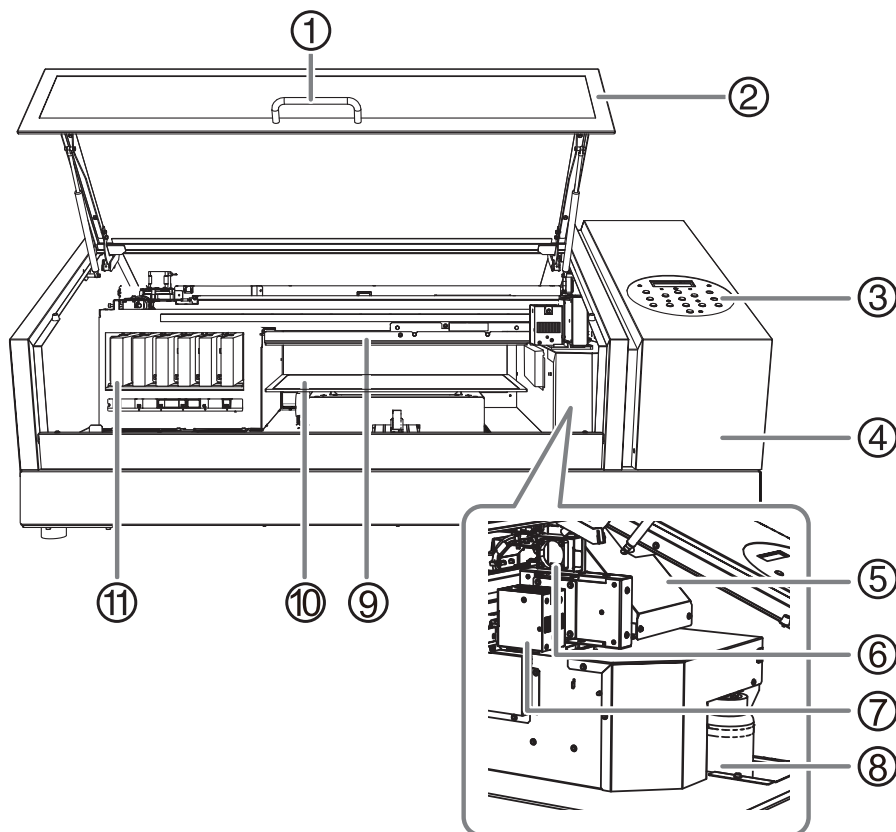
Part Names and Functions .....	8
Printer Unit .....	8
Head refresher .....	11
Operation Panel .....	12
Display Screen .....	13
Object to Be Printed On .....	14
Conditions for Settable Objects to Be Printed On .....	14
Printable Area .....	15
Features of Inks .....	16
Features of ECO-UV Inks .....	16
Features of Primer .....	16
Menu List .....	17
Main Menu .....	17
Function Menu .....	20
Language and Unit Menu .....	21



# Part Names and Functions

## Printer Unit

### Front



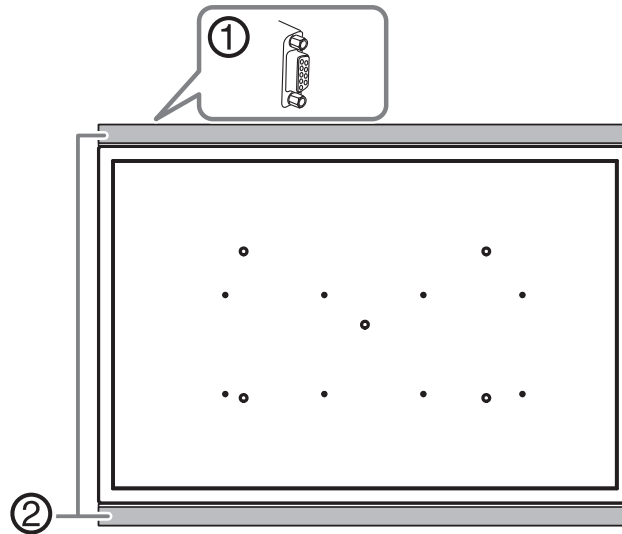
No.	Name	Function overview
①	Handle	Hold this handle to open and close the front cover gently.
②	Front cover	Keep this cover closed except when necessary, such as when loading the object to be printed on.
③	Operation panel	The panel containing the buttons used to operate the machine.
④	Panel cover	Remove this when performing maintenance such as wiper replacement.
⑤	Print-head carriage	The print heads are inside this carriage.
⑥	Carriage fan	Spins while printing.
⑦	UV-LED device	Shines the UV light used to cure the ink.
⑧	Drain bottle	Discharged fluid is stored in this bottle.
⑨	Head gap sensor	Detects the height of the object to be printed on.
⑩	Flat table	Table on which the object to be printed on is loaded.
⑪	Cartridge slots	The location where ink cartridges are installed.

### ⚠ CAUTION

**Do not place your hands on or touch the flat table or inside the machine (except for the cartridge slots).**

Doing so may cause burns.

## Flat table



No.	Name	Function overview
①	D-SUB port	This is a connection port for optional products. Do not connect any cable that is not for the dedicated optional products.
②	Extension plate	<p>⚠ CAUTION</p> <p><b>Do not place any object on top of the plate or press on it with force.</b></p> <p>Doing so may cause damage.</p>

⚠ CAUTION

**Do not place any object in front of or behind the flat table.**

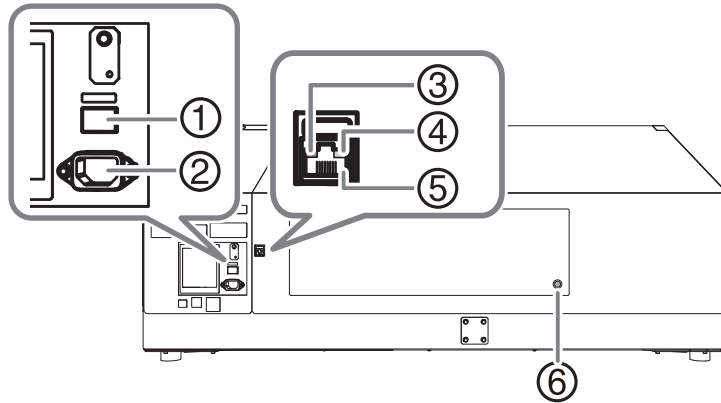
The flat table moves horizontally and vertically. If there is any object between the flat table and the machine, it can be caught and cause the machine to malfunction.

⚠ CAUTION

**If anything drops toward the back of the flat table, switch off all power switches before looking for the dropped object.**

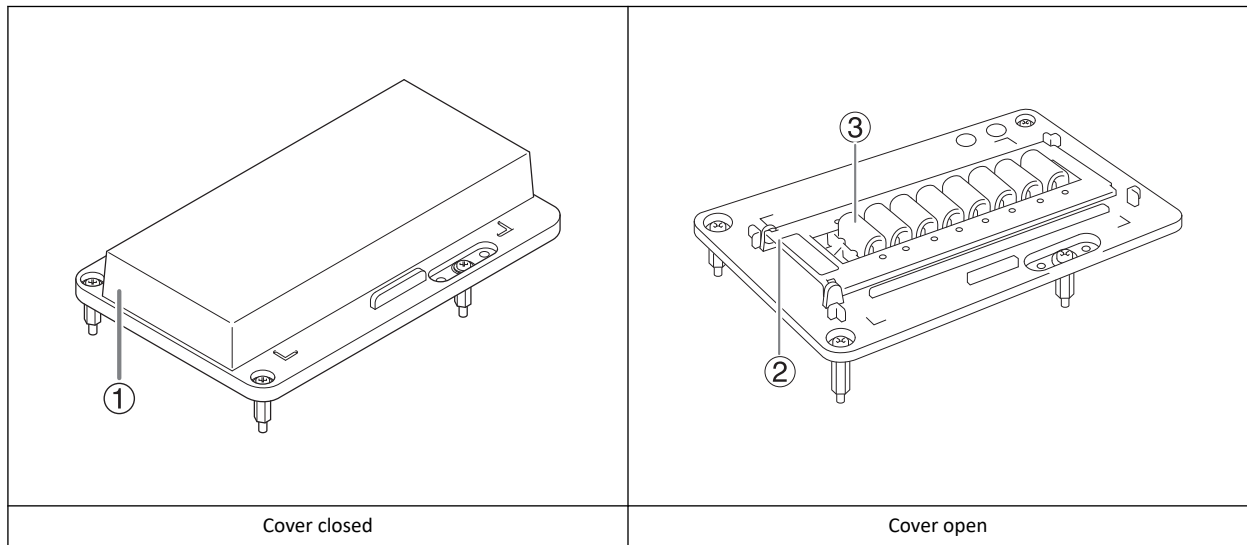
Otherwise sudden movement of the machine may cause injury.

 Rear



No.	Name	Function overview
①	<b>Main power switch</b>	Switch the main power on/off.
②	<b>Power cable port</b>	Use this to connect the power cable.
③	<b>Status LED</b>	This lights up green when the connection to the network is normal.
④	<b>Activity LED</b>	This flashes yellow while data is being received from the network.
⑤	<b>LAN cable connector</b>	Use this to connect the LAN cable.
⑥	<b>AC adapter port</b>	Connect the AC adapter cable to this port. Do not connect any cable other than the AC adapter cable supplied with dedicated optional products.

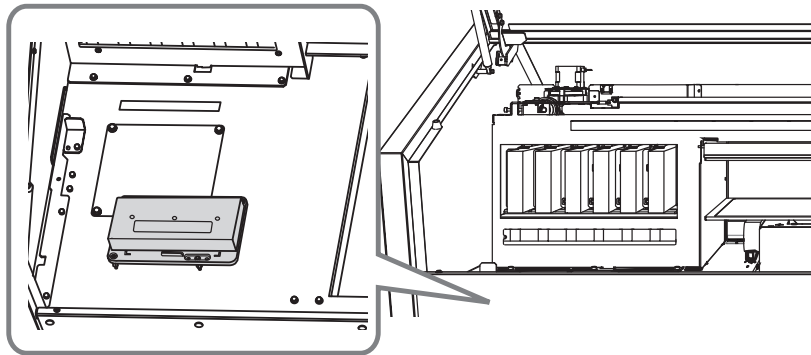
## Head refresher



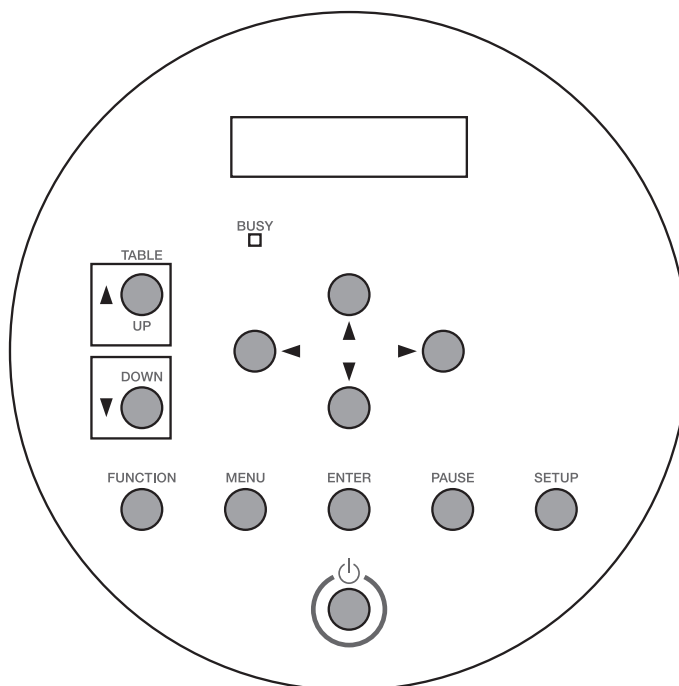
No.	Name	Function overview
①	Cover	Keep the cover closed when the machine is not in use.
②	Sheet retaining cover	This cover keeps the head cleaning sheet, used for head refreshing, in place.
③	Cleaning pad	A total of eight cleaning pads are provided. These consumables should be replaced about every six months. ➤ P. 175 「Replacing the Cleaning Pad Unit」

### MEMO

When the head refresher is not in use, it can be put in the space on the left side of the machine.

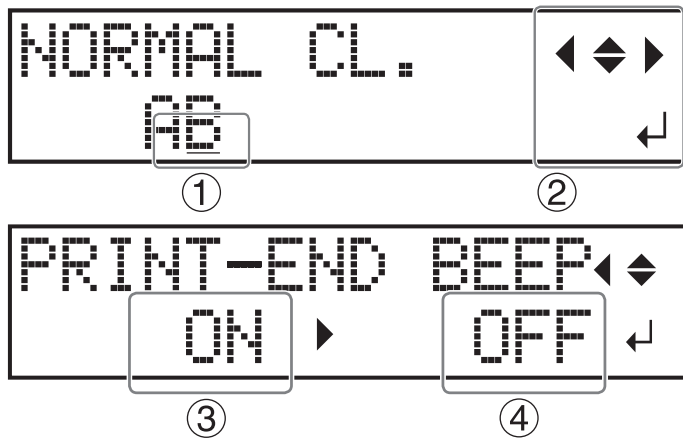


**Operation Panel**



Part	Name	Details	Notation in this manual
	Display Screen	This displays various setting menus and other information.	
BUSY	BUSY light	This lamp lights up during printing and other such operations.	[BUSY]
UP	TABLE UP key	The flat table goes up.	[UP]
DOWN	TABLE DOWN key	The flat table goes down.	[DOWN]
	Cursor keys	Use these keys to select settings for menu items, to move the object to be printed on, and for other similar operations.	[◀][▼][▲][▶]
FUNCTION	FUNCTION key	You press this when entering the setting menu for cleaning of the print heads, printing tests, and so on.	[FUNCTION]
MENU	MENU key	Press this to enter the menus for various settings.	[MENU]
ENTER	ENTER key	Use this for such tasks as enabling setting values.	[ENTER]
PAUSE	PAUSE key	Pauses printing. It lights when operation is paused.	[PAUSE]
SETUP	SETUP key	Displays the setup screen.	[SETUP]
	Sub power switch	This switches the printer on and off. (To switch the printer off, hold down the switch for one second or longer). The light flashes slowly when the machine is in sleep mode.	

## Display Screen



①	Cursor		Displays the setting to be changed. You can move it with the cursor keys.
②	Direction mark	◀ ▲ ▼ ▶	You can select settings and switch screens by pressing the cursor keys indicating directions.
	ENTER mark	↵	Press [ENTER] to set the selected setting or execute the processing.
③	Present value		The present value (before change) is displayed.
④	Setting value		Select the setting you want to set (after change).

# Object to Be Printed On

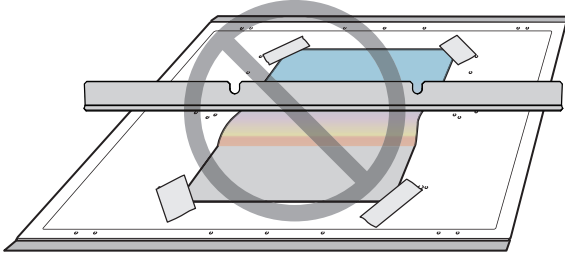
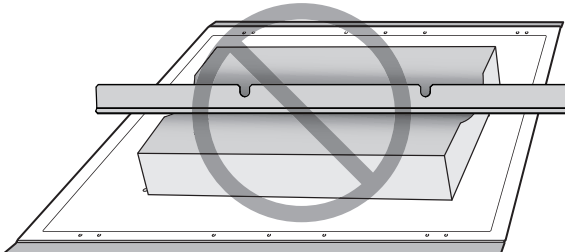
## Conditions for Settable Objects to Be Printed On

The conditions for objects to be printed on that can be set in the machine are shown below.

Maximum size	Width	538 mm (21.2 in.)
	Length	360 mm (14.2 in.)
	Thickness	Height 100 mm
Maximum weight		5 kg (11.0 lb.)

### IMPORTANT

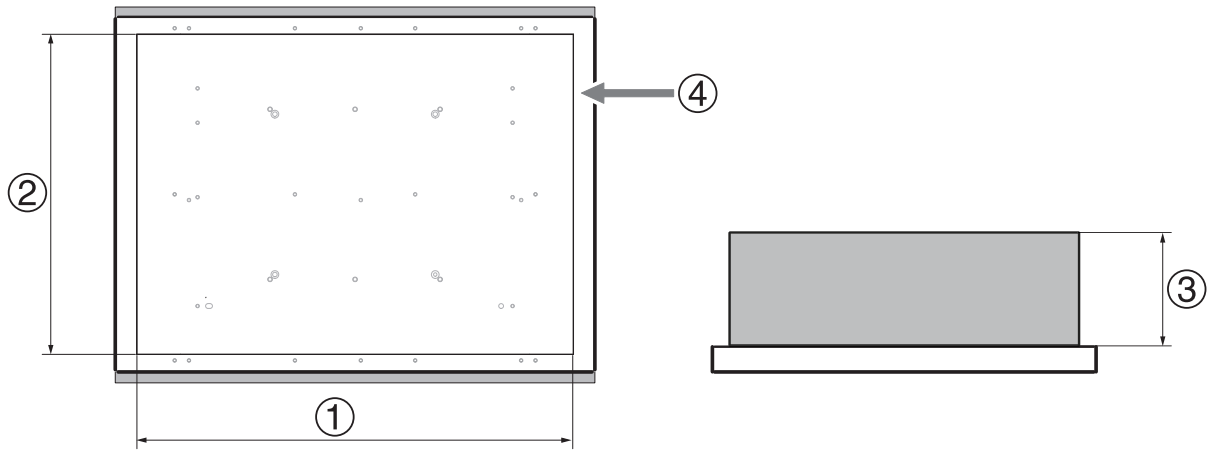
- Do not use objects to print on that are charged with static electricity.
- This printer cannot print on all materials. When selecting the object to be printed on, be sure to carry out testing in advance to make sure that satisfactory print quality can be obtained.
- There is a limit to the variation in the unevenness on the print surface.
  - P. 64 「Notes When the Print Surface Is Uneven」
- Depending on the type of object to print on and the installation method, the height may not be set correctly. The machine may malfunction if printing is performed when an incorrect installation method is used or if printing is performed on an inappropriate material. Do not use objects to print on that match the status or material shown below.

	<p>Objects that easily become loose</p>	<p>If the object to be printed on is not firmly held in place, the head gap sensor cannot detect the height correctly. Be sure to secure the object to be printed on firmly in place. If the media becomes loose, you can use a substance such as commercially available adhesive tape to hold the media in place.</p>
	<p>Objects made from soft material</p>	<p>If the object to be printed on is made from soft material, the pressure it applies on the head gap sensor is too weak. This prevents its height from being detected correctly.</p>

## Printable Area

Maximum printable area: Width (①) 508 mm (20 in.) × length (②) 330 mm (13 in.) × thickness (③) 100 mm (3.9 in.)

- The maximum printable area is the area inside the guide lines (④) on the flat table.
- The maximum size of the object to be printed on and the maximum printable area are different.





# Features of Inks

---

## Features of ECO-UV Inks

This printer uses ECO-UV inks. ECO-UV inks are fixed to the object to be printed on instantly by ultraviolet light. This makes it possible to perform printing on objects that are difficult to print on using conventional inks. ECO-UV inks are available in a line-up of six colors (cyan, magenta, yellow, black, white, and gloss).

## Features of Primer

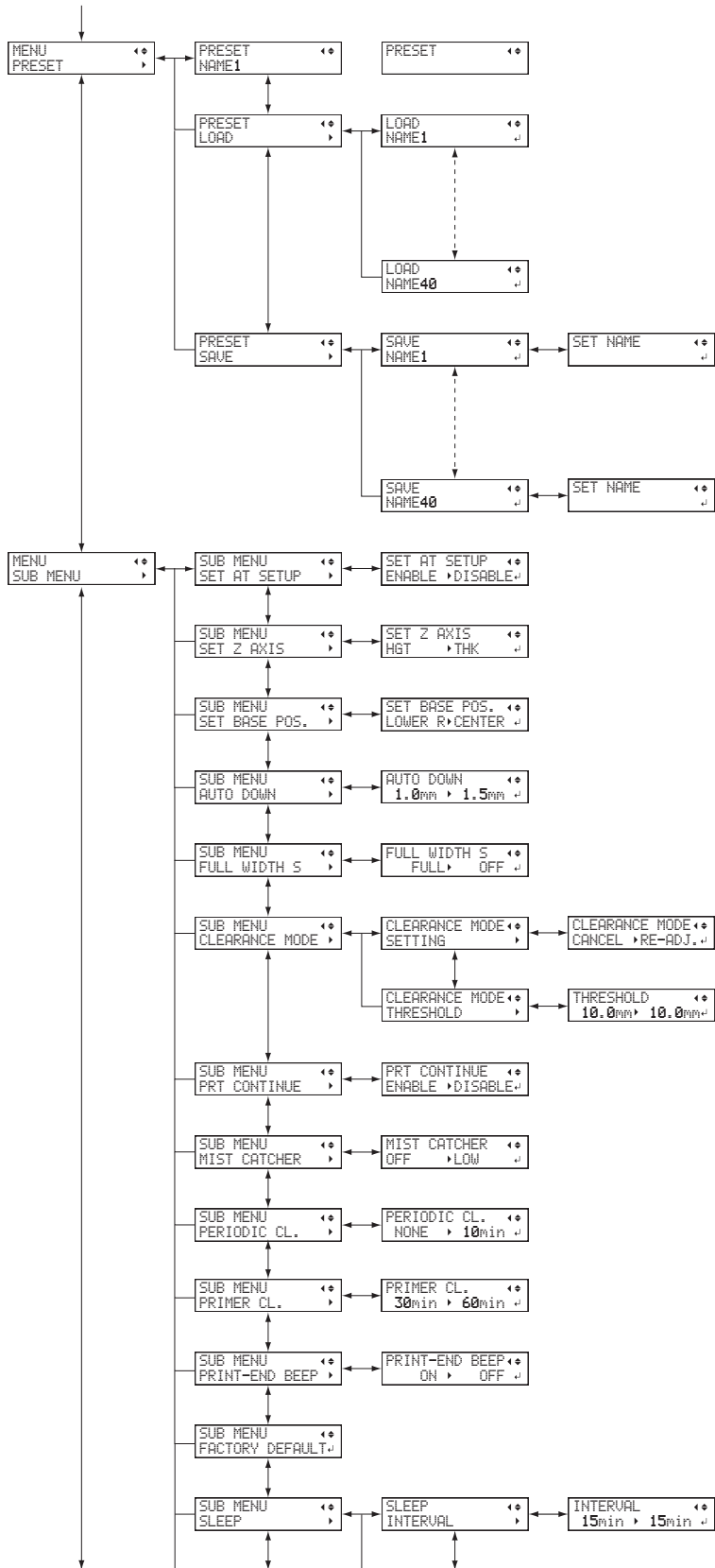
The primer is a colorless and transparent coating agent used as an ink base. By using primer as a base, you can print on glass or other materials on which UV ink cannot be applied.

- The primer may not be fully efficient on some materials. Be sure to perform test printing to check the effect.

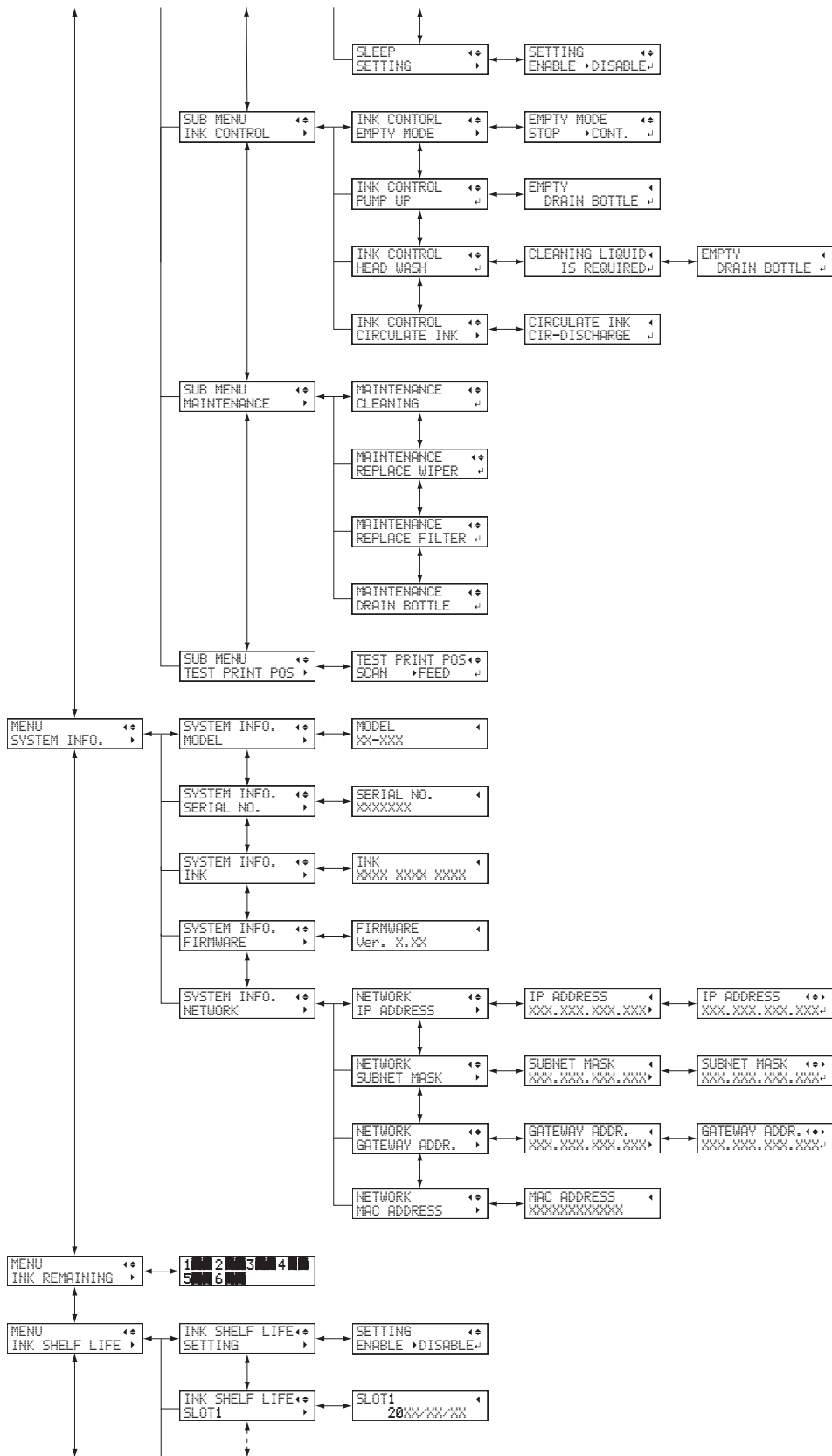
# Menu List

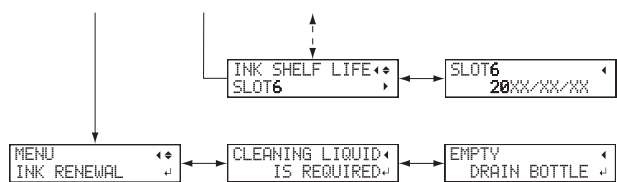
## Main Menu

Press [MENU].



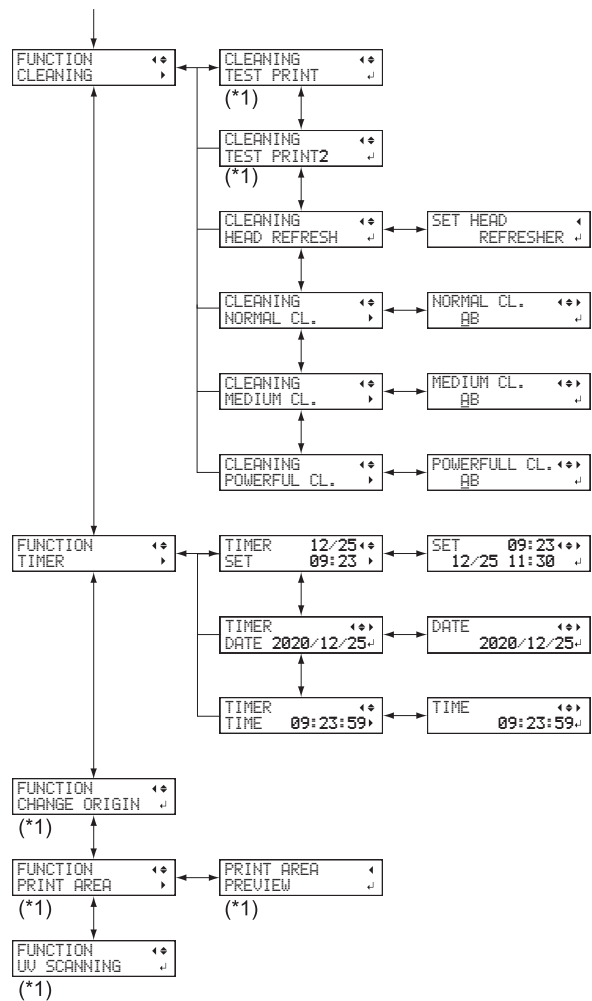
# Menu List





## Function Menu

Press [FUNCTION].

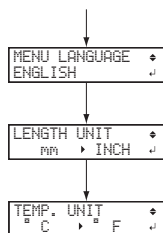


(\*1) Not displayed if the setup of the object to be printed on is not completed (when [SETUP] is off or flashing).

---

## Language and Unit Menu

Hold down [MENU] and switch on the sub power.



# 2. Basic Operations

---

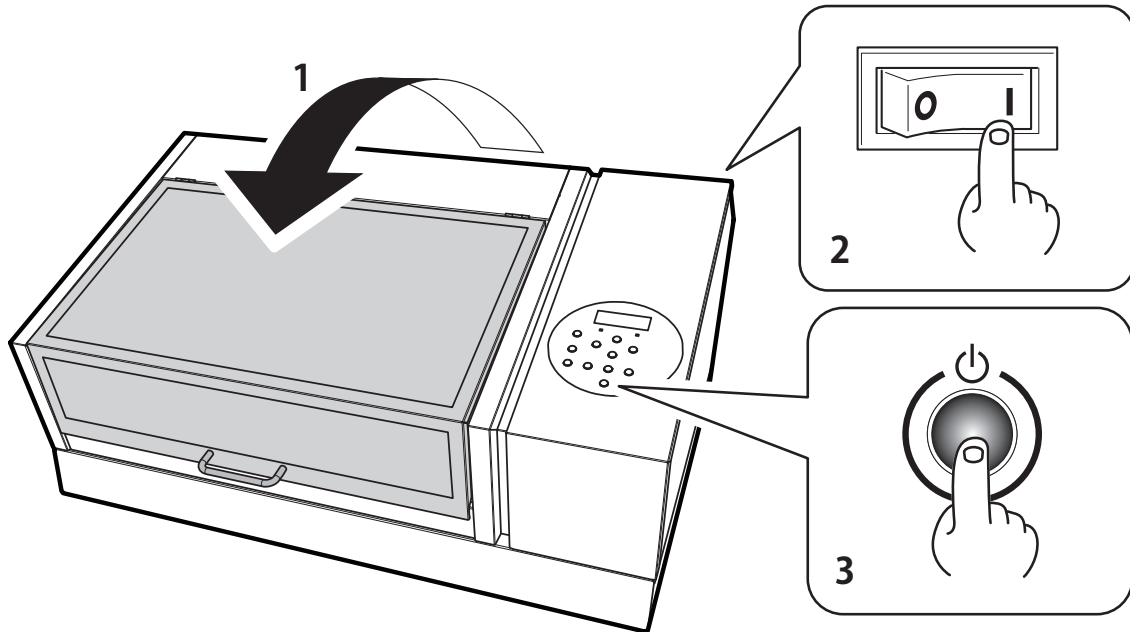
Power Supply Operations.....	23
Turning the Power On.....	23
Turning the Power Off.....	24
Precautions When Operating the Power Supply .....	25
Sleep Mode (Power-saving Feature) .....	26
Checks before Operations.....	27
LAN (Local Area Network) Settings .....	27
Preventing Sedimentation in Inks .....	28

# Power Supply Operations

## Turning the Power On

### Procedure

1. Close the front cover.
2. Turn on the main power switch.
3. Press the sub power button.



### IMPORTANT

Be sure to hold the handle of the front cover and keep holding it until the cover is completely opened or closed. If you do not open and close the front cover gently, it may break or you may be injured.

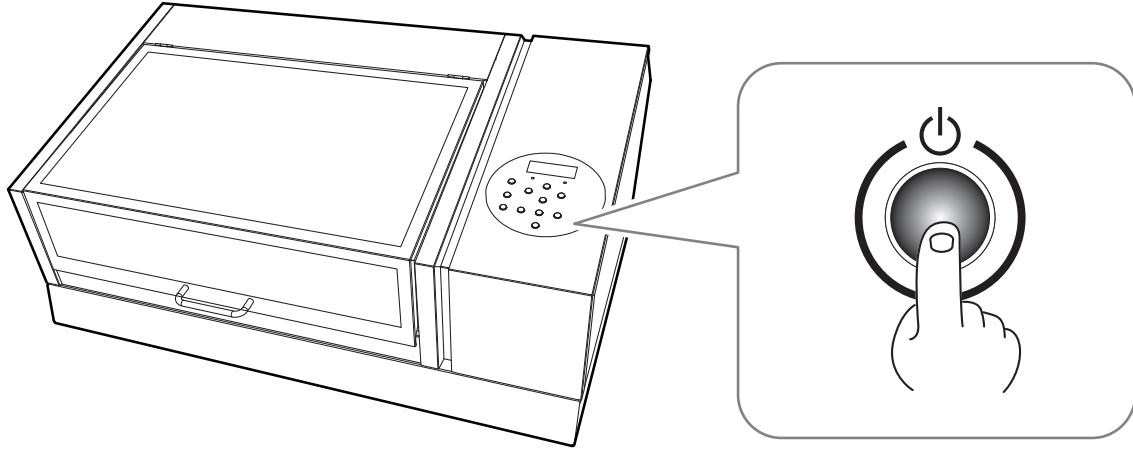


## Turning the Power Off

### Procedure

1. Switch off the sub power whenever printing is finished.

The sub power switches off automatically. Turn off the sub power after printing is complete.



---

## Precautions When Operating the Power Supply

### IMPORTANT

**Always keep the main power switched on.**

Never switch off the main power. Leaving the main power enables automatic maintenance to be carried out periodically. If the automatic maintenance is not carried out, it may result in the breakdown of this machine, such as the breakdown of the print heads.

### IMPORTANT

**Never switch off the main power or unplug the power cord suddenly while operation is in progress.**

Switching off the main power or unplugging the power cord suddenly while operation is in progress may damage the print heads. Be sure to first switch off the sub power. If the main power is accidentally switched off, immediately turn the main power and sub power back on.

### Sleep Mode (Power-saving Feature)

This machine is provided with a power-saving feature that switches to a low-power "sleep mode" when a fixed interval passes with no operation. The factory default for the time after which the machine switches to sleep mode is 30 minutes. When the machine is in the sleep mode, the sub power switch flashes slowly. Using the operation panel or performing operations such as sending print data from the computer restores the machine to its normal mode.

This sleep mode setting can be changed. However, we recommend setting the activation time for sleep mode to 30 minutes or less to reduce power consumption and prevent problems such as overheating.

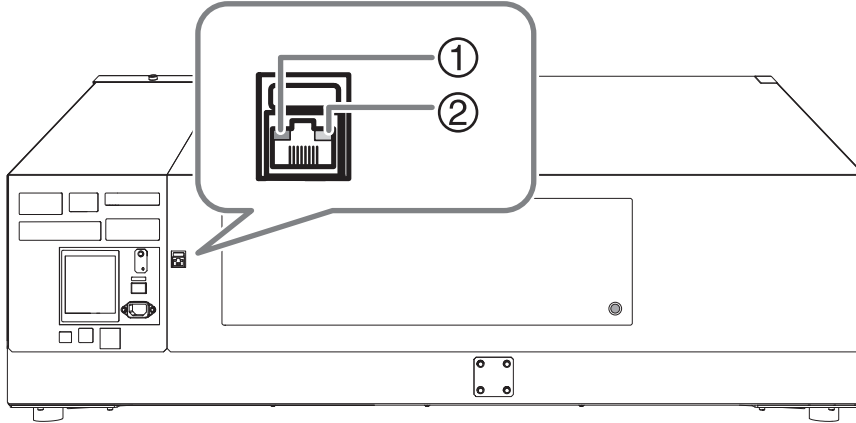
➤ P. 98 「Setting the Activation Interval for Sleep Mode (Power-saving Feature)」

# Checks before Operations

## LAN (Local Area Network) Settings

Check that you can perform communication through the LAN interface.

The LAN is enabled if the status LED (2) on the LAN connector located on the back of the printer is lit in green.



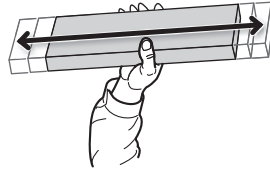
1	Status LED	This indicates the status of the communication function. When it lights in green, communication is possible.
2	Activity LED	This flashes yellow while data is being received from the network.

### Preventing Sedimentation in Inks

The precipitation of the ingredients in the ink disables printing in normal color. So that the ink mixes well, shake the ink cartridge horizontally with a stroke length of around 5 cm (2 in.) from each end of the ink cartridge.

- Remove the white ink cartridge, shake it 50 times (about 20 seconds), and then reinsert this cartridge.
- The ink cartridges for colors other than white do not need to be shaken before every operation, but be sure to shake them when installing new ones.

The ingredients in white ink tend to settle. Each day, before starting the day's operations, be sure to shake this cartridge. Allowing the ink to stand without carrying out these steps can cause the settled material to harden, resulting in malfunction or other problems.



#### IMPORTANT

- Before shaking the ink cartridge, wipe off any ink from around its mouth. If you do not wipe off the ink, it may splatter when you shake the ink cartridge.
- When you have finished mixing the ink, reattach the ink cartridge immediately. Taking time to reattach the ink cartridge will adversely affect the ink path.
- Even if you are not using the printer, shake the white ink cartridge 50 times (about 20 seconds) once a week.

# **Chapter 2 Output Method**

# 1. Printing Operations

---

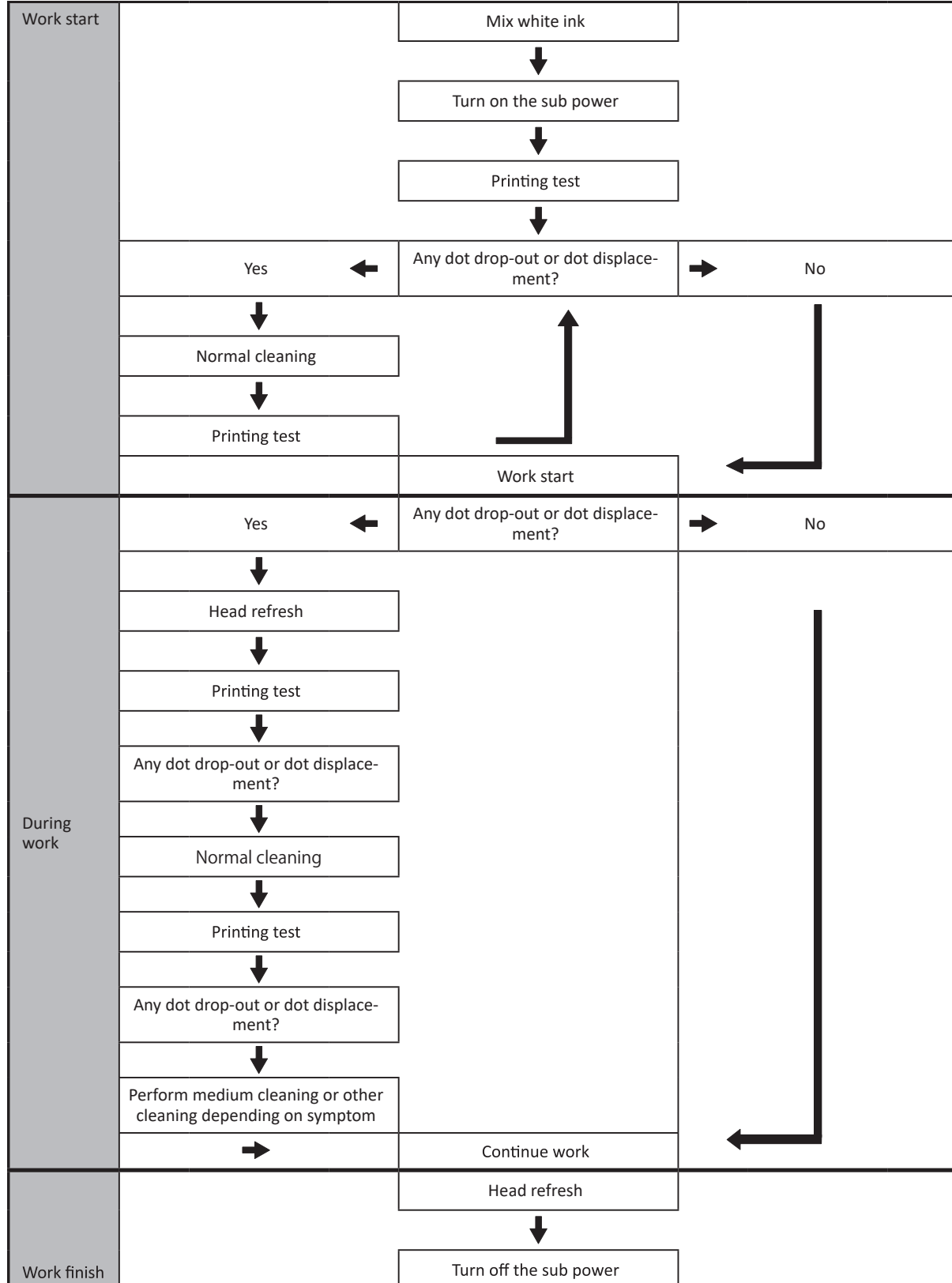
Printing method .....	31
Checking the Daily Workflow .....	31
Three Checks before Printing .....	32
Step1: Preparing for the Start of Daily Operations .....	34
Step 2: Start Printing .....	44
Step 3: Head Refreshing after Daily Operations .....	51
Pausing and Canceling Printing .....	56
Pausing and Resuming Printing .....	56
Canceling Printing .....	56

# Printing method

## Checking the Daily Workflow

This section explains the basic workflow of daily operations.

Performing appropriate maintenance at the correct times can help prevent malfunction as well as bring out the full potential of this machine.





### Three Checks before Printing

On this machine, ink affixed on the surface of the print heads might be cured by the reflection of the UV-LED lamp light and by ink mist (ink splashing during printing). If ink affixed on the surface of the print heads is cured, dot drop-outs may occur. Continued use of the product in this state may cause a failure that requires the replacement of the print heads.

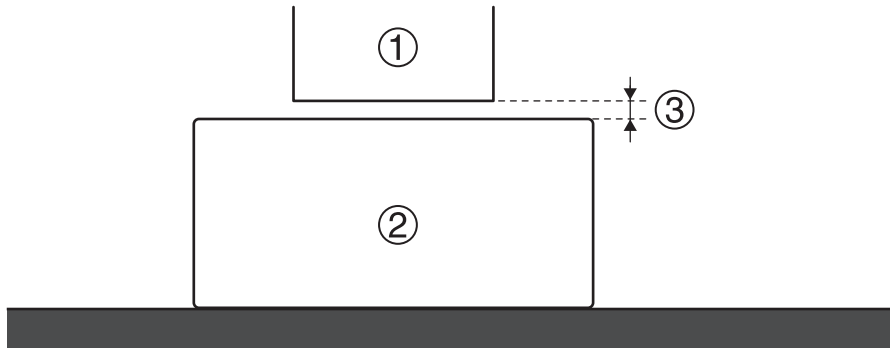
While daily cleaning is important to prevent dot drop-outs, there are also three important points to check before printing.

**1. Do not use objects that easily reflect light.**

Materials that are likely to reflect the UV-LED lamp light, such as mirrors and stainless steel, promote the curing of the surface of the print heads and therefore cannot be used as the object to be printed on.

**2. Shorten the distance to the print heads.**

As the distance between the print heads (①) and the surface of the object to be printed on (②) increases, the likelihood of ink mist increases. When setting the height of the object to be printed on manually, make the distance as short as possible. When the height (③) is automatically set, the distance is about 1 mm (39.4 mil).

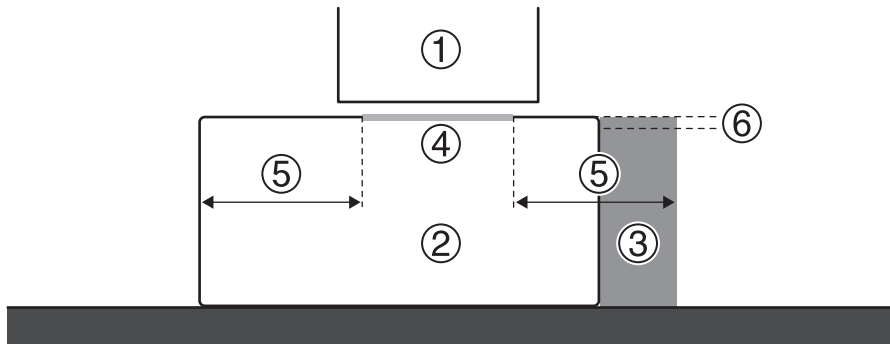


- P. 38 「5.The height of the object to be printed on is detected automatically.」
- P. 59 「Setting the Height of the Object to Be Printed On Manually」

**3. Consider whether a jig is necessary.**

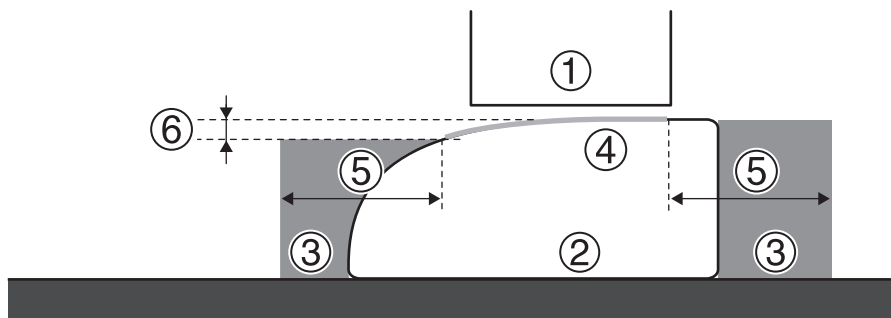
As the distance between the object to be printed on and the print heads increases, the likelihood of ink mist increases. Therefore, a jig might be required according to the size and shape of the object to be printed on. Prepare a jig if one of the following conditions is met.

- With just the object to be printed on, no margins can be obtained in the areas 40 mm (1.57 in.) to both the right and left of the portion (width) of the data to be printed.



1	Print heads	4	Data area
2	Object to be printed on	5	Margin: 40 mm (1.57 in.) or more
3	Jig	6	Less than 2 mm (78.7 mil) in height difference from the actual print surface

- The variation in height of the surface of the object to be printed on is 2 mm (78.7 mil) or more.



1	<b>Print heads</b>	4	Data area
2	<b>Object to be printed on</b>	5	Margin: 40 mm (1.57 in.) or more
3	<b>Jig</b>	6	Less than 2 mm (78.7 mil) in height difference from the actual print surface

## Step1: Preparing for the Start of Daily Operations

Perform a printing test to ensure no dot drop-out or dot displacement occurs. If dot drop-out or dot displacement occurs, clean the print heads (normal cleaning).

### 1. Press the sub power button.

Turn on the sub power to begin the day's work. If using white ink, be sure to mix the ink in the cartridge first.

#### Procedure

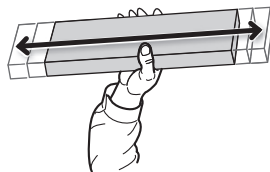
1. Open the front cover.

#### IMPORTANT

Be sure to hold the handle of the front cover and open and close it gently.

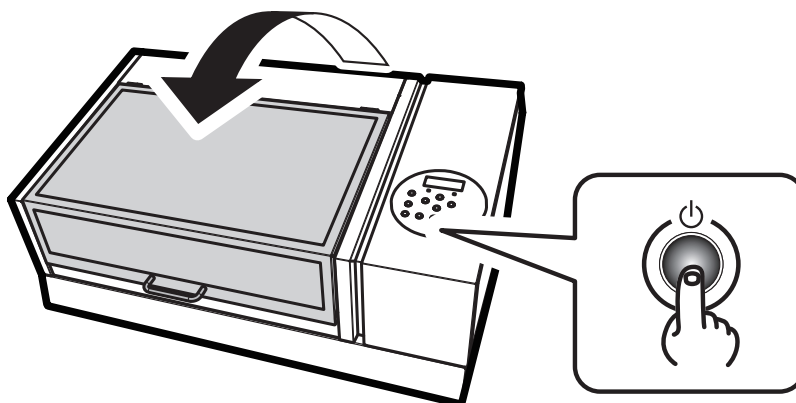
2. When using white ink, remove just the white ink cartridge, and shake it 50 times (about 20 seconds).

So that the ink mixes well, shake the ink cartridge horizontally with a stroke length of around 5 cm (2 in.) from each end of the ink cartridge.



3. Close the front cover.

4. Press the sub power button.



Initialization is complete when the following screen appears.

SETUP MEDIA

## 2. Set the machine so that the print area is set each time the media is set up.

Prevent printing in the incorrect position by specifying the print area each time before setting up the object to be printed on.

### MEMO

To print in the same position repeatedly, specify "DISABLE" for this setting.

### Procedure

1. Press [MENU].
2. Press [▼] to display the screen shown below.

```
MENU      ◀◀
SUB MENU  ▶
```

3. Press [▶] twice to display the screen shown below.

```
SET AT SETUP  ◀◀
DISABLE▶DISABLE↵
```

4. Press [▲] or [▼] to select "ENABLE".
5. Press [ENTER] to confirm your entry.

### 3. Set the lower-right corner of the object to be printed on to the base printing position.

---

Set the base printing position (home position) at the front right of the print area. This method is appropriate when the print site is level, and you can clearly specify the print area.

Print area setup can be performed with the front cover open. However, if the front cover is left open for approximately 40 seconds, the print heads automatically return to the home position. The menu returns to the previous one. Repeat the procedure.

#### Procedure

1. Press [◀].
2. Press [▼] twice, and then press [▶] once to display the screen shown below.

```
SET BASE POS. ◀◆
LOWER R▶CENTER Ⓜ
```

3. Press [▲] or [▼] to select "LOWER R".
4. Press [ENTER] to confirm your entry.
5. Press [MENU], then [◀] to go back to the original screen.

## 4. Attach the object to be printed on for the printing test.

Attach the object to be printed on for the printing test. Use paper for testing (width 90 mm (3.54 in.) × length 70 mm (2.76 in.) or more), not the object that will actually be printed on.

### Procedure

1. Check that the following screen is displayed.



If this screen is not displayed, check that nothing has been placed on top of the flat table, and then hold down [SETUP] for 1 second or more.

The flat table will come forward into a position in which the object to be printed on can be set up.

2. Open the front cover.

### IMPORTANT

Be sure to hold the handle of the front cover and open and close it gently.

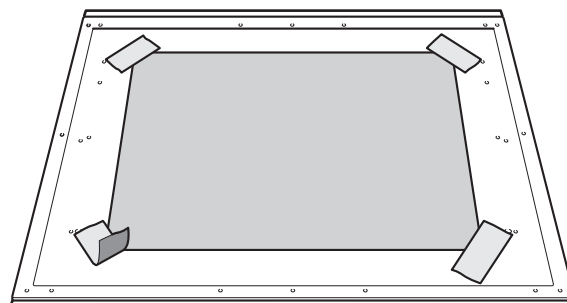
3. Secure the paper for the printing test.

Printing tests are used to check that no dot drop-out occurs. Use paper for testing (width 90 mm (3.54 in.) × length 70 mm (2.76 in.) or more), not the object that will actually be printed on.

### MEMO

There are two types of printing tests. Select the paper to be used based on the features of the given type.

Type	Features
CLEANING TEST PRINT	It is difficult to check the white ink if the paper for use in the printing test is white. We recommend printing on transparent paper.
CLEANING TEST PRINT2	Because white ink is printed on a black undercoat, white ink can be easily checked even when printed on white paper. However, printing takes longer than "TEST PRINT."



### MEMO

#### Affixing the media with tape

Secure the media in place using a substance such as commercially available tape affixed directly to the flat table. This method can be used for thin paper and other such media that can be secured with tape only. It can be set anywhere as long as it does not protrude from the top of the flat table. Be aware that folds or kinks in the paper might hit the interior of the printer and cause damage.

4. Close the front cover.

## 5. The height of the object to be printed on is detected automatically.

The height of the object to be printed on is automatically detected, and the print heads are adjusted to the appropriate height for printing.

### Procedure

**1. Press [SETUP].**

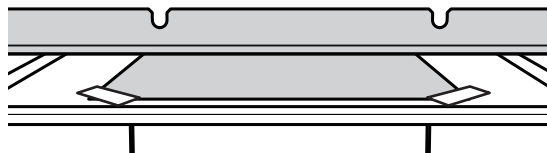
[SETUP] starts to flash.

**2. Open the front cover.**

**3. Press [▲], [▼], [UP] or [DOWN] to move the flat table, bringing the highest position of the print surface into contact with the head gap sensor.**

When the head gap sensor reacts, a buzzer goes off.

To fine-tune the height, open the front cover and make the adjustments from a close distance.



**4. Press [▶] to display the screen shown below.**



**5. Close the front cover.**

#### IMPORTANT

The following step moves the flat table rearward. If the object to be printed on hits the head gap sensor forcefully, the object to be printed on may be damaged or the head gap sensor may malfunction.

To re-adjust the height of the object to be printed on, press [◀] and redo the procedure from step 2.

**6. Press [ENTER].**

The flat table moves and the height of the object to be printed on is detected. The flat table rises while moving backward and forward until the object to be printed on reaches a position where it comes in contact with the head gap sensor.

When the flat table stops moving and one short beep is heard, the setup is complete.

The height of the object to be printed on will be set automatically to a position about 1 mm (39.4 mil) away from the print head's ink emission surface.

#### MEMO

You can change the distance between the ink emission surface of the print heads and the object to be printed on. For details, refer to Adjusting the Distance between the Object to Be Printed On and the Print Heads(P. 61).

## 6. Set the print area.

Set the print area for the printing test. For a printing test, set the print area with a "WIDTH" of 90 mm (3.5 in.) or more and a "LENGTH" of 70 mm (2.8 in.) or more. An error will occur and printing tests cannot be performed if the area is smaller than this.

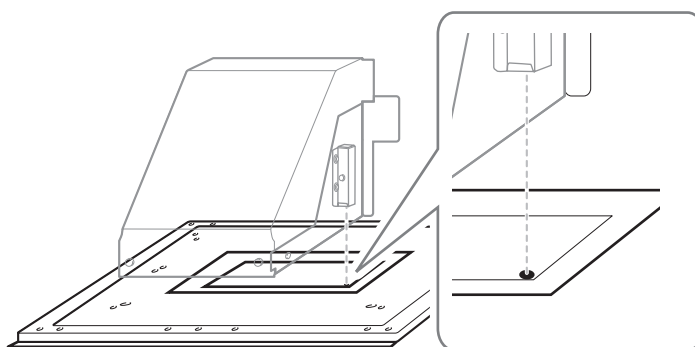
### Procedure

1. Press [▲], [▼], [▶] or [◀] when the following screen appears.

```
SCAN: 0.0mm
FEED: 0.0mm ↵
```

The flat table and the print heads move so that the pointer points at the previously set printing base position.

2. Press [▲], [▼], [▶] or [◀] to move the pointer until it points to a position in the right foreground of the print area.



3. Press [ENTER].

The print heads return to the home position and the following screen is displayed.

```
WIDTH: XXX.Xmm
LENGTH: XXX.Xmm ↵
```

### MEMO

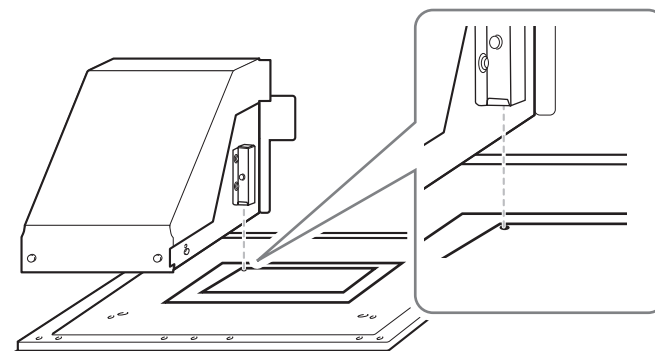
- The previously set values are displayed for "WIDTH" and "LENGTH."
- When the object to be printed on comes into contact with the head gap sensor, the setup is canceled and the screen shown below appears. Redo from 5. The height of the object to be printed on is detected automatically. (P. 38).

```
CHECK TABLE
HEIGHT ↵
```

When "CLEARANCE MODE" is set to "RE-ADJ." (Adjusting the Distance between the Object to Be Printed On and the Print Heads (P. 61)), the setup is not canceled and operation continues.

4. Press [▲], [▼], [▶] or [◀] to set the "WIDTH" to 90 mm (3.5 in.) or more and the "LENGTH" to 70 mm (2.8 in.) or more.

The pointer moves until it points to a position in the inner left of the print area.





**5.** Close the front cover when it is open.

**6.** Press [ENTER].

The print area is specified. Print heads return to the standby position.

**7.** Make sure the "W" (width), "L" (length), and "H" (height) values on the menu screen are as intended.

W: 90mm L: 70mm
H: 100.0mm

### MEMO

- If you want to use the print area specified here for the next printing operation, switch "SET AT SETUP" (Omitting the Setting of the Print Area(P. 85)) to "DISABLE." With this setting, you can set up the object to be printed on without setting the print area and base position.
- Automatic return is not possible for a set base printing position (home position). In other words, the setting must be configured again if the base printing position (home position) differs, such as when selecting a new object to be printed on.

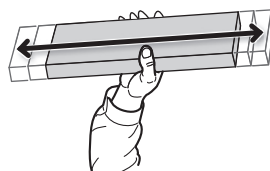
## 7. Perform a printing test.

Before you carry out actual printing, perform a printing test to ensure no dot drop-out or dot displacement occurs.

### Procedure

1. Before the start of daily operations, remove just the white ink cartridge, shake it 50 times (about 20 seconds), and then reinsert it.

So that the ink mixes well, shake the ink cartridge horizontally with a stroke length of around 5 cm (2 in.) from each end of the ink cartridge.



### IMPORTANT

The ingredients in white ink tend to settle. The precipitation of the ingredients in the ink disables printing in normal color. Allowing the ink to stand without carrying out these steps can cause the settled material to harden, resulting in malfunction or other problems.

2. Press [FUNCTION].

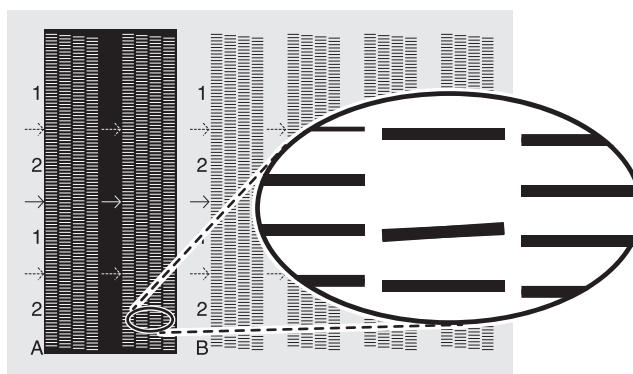
3. Press [ENTER].

Printing of the test pattern starts.

4. Check whether there is dot drop-out or dot displacement in the test pattern.

Missing blocks indicate dot drop-out. Collapsed or inclined blocks indicate dot displacement.

The following figure shows the "TEST PRINT 2" test pattern.



5. If you have opened the front cover, close it.

If no dot drop-out or dot displacement occurs, this operation is finished. Press [FUNCTION] to go back to the original screen.

### MEMO

When performing printing tests successively, you can select ""FEED"" (vertical printing) or ""SCAN"" (horizontal printing) as the print position for the second and later tests in comparison to the first test.

### RELATED LINKS

- P. 89 "Performing Printing Tests Arranged Horizontally"

## 8. Performing Normal Cleaning

If, after viewing the results of the printing test, dot drop-out or dot displacement is still present, perform normal cleaning.

### Procedure

1. Press [▼] several times to display the screen shown below.

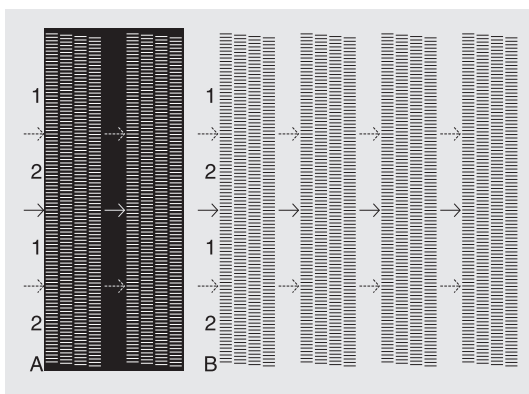
```
CLEANING      ◀▶
NORMAL CL.    ▶
```

2. Check for the group with dot drop-out or dot displacement by viewing the results of the printing test.

Missing blocks indicate dot drop-out. Collapsed or inclined blocks indicate dot displacement.

The space from "A" to "B" is group A. The space from "B" to the right side is group B.

The following figure shows the "TEST PRINT 2" test pattern.



### MEMO

If the printing-test results are difficult to interpret

Examine the results from different angles in a well-lit location. It is visible using the reflection of the light.

3. Press [▶].
4. Select the group of print heads to clean.
  - (1) Press [◀] or [▶] to select the group of print heads that is not to be cleaned.

```
J-70        ◀▶▶
  AB        ◀
```

- (2) Press [▲] or [▼] to get rid of the group display.

```
NORMAL CL.  ◀▶▶
  A_        ◀
```

- (3) Repeat steps 1 and 2 to display only the group of print heads that requires cleaning.

Only the displayed groups will be cleaned. If A and B are displayed, they will both be cleaned.

5. Press [ENTER].

The screen shown below appears, and then cleaning starts. The (approximate) remaining time for the procedure is displayed on the screen. (The display shown below is an example. "01:45" = "1 minute and 45 seconds")

```
CLEANING...
>>      01:45
```

When finished, the screen shown below appears again.



6. Press [◀].

7. Display the printing test menu.

TEST PRINT

Press [▲] several times to display the screen shown below.

It is difficult to check the white ink if the paper for use in the printing test is white. We recommend printing on transparent paper.



TEST PRINT2

Press [▲] several times to display the screen shown below.

Because white ink is printed on a black undercoat, white ink can be easily checked even when printed on white paper. However, printing takes longer than "TEST PRINT."



8. Press [ENTER].

Printing of the test pattern starts.

9. Check to make sure the dot drop-out or dot displacement has been corrected.

If the problem persists, try performing normal cleaning again. If the printer has been used for a long period, dot drop-outs may not be fixed even after performing normal cleaning two or three times. If this is the case, clean using a different method.

**IMPORTANT**

UV ink will harden. It may adhere to the print head and solidify. If left alone, ink may clog the print heads and cause problems including printer malfunctions. Clean the head manually when printing frequently with the print head at a distance from the print surface. This is called manual cleaning. To prevent clogging of the print heads, you may have to perform manual cleaning each time you print in some cases.

**RELATED LINKS**

- P. 138 "When Normal Cleaning Is Not Effective"
- P. 144 "Manual Cleaning"

---

## Step 2: Start Printing


### 1. Attach the object to be printed on.

#### MEMO

This section assumes that you are printing for the first time or immediately after changing the object to be printed on. Therefore, "SET AT SETUP" is set to "ENABLE." When repeatedly printing in the same position on objects to be printed on that have the same shape, we recommend that you set "SET AT SETUP" to "DISABLE" (Omitting the Setting of the Print Area(P. 85)).

#### Procedure

#### 1. Check that the following screen is displayed.



If this screen is not displayed, check that nothing has been placed on top of the flat table, and then hold down [SETUP] for 1 second or more.

[SETUP] turns off, and the flat table comes forward.

The above screen appears, and the object to be printed on can be set up.

#### 2. Open the front cover.

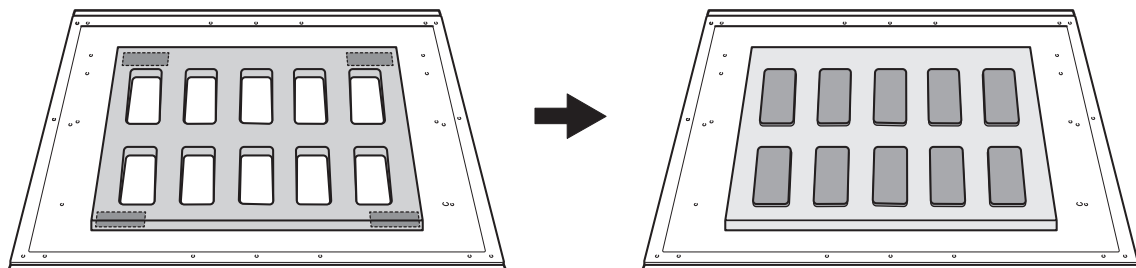
#### IMPORTANT

Be sure to hold the handle of the front cover and open and close it gently.

#### 3. Secure the object to be printed on.

A jig might be required according to the shape of the object to be printed on.

The following figure shows an example of using jigs to fit the shape of the object to be printed on. The jigs are secured by double-sided tape attached to the bottom side.



---

#### RELATED LINKS

- P. 32 "Three Checks before Printing"
-

## 2. The height of the object to be printed on is detected automatically.

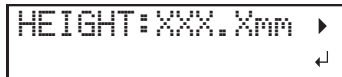
The height of the object to be printed on is automatically detected, and the print heads are adjusted to the appropriate height for printing.

### Procedure

#### 1. Press [SETUP].

[SETUP] starts to flash, and then the following screen appears.

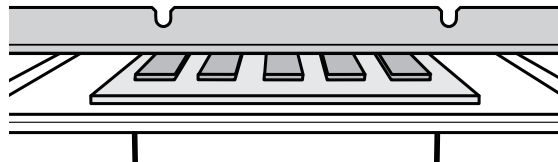
[XXX.X] indicates the height detected last time.



#### 2. Press [▲], [▼], [UP] or [DOWN] to move the flat table, bringing the highest position of the print surface into contact with the head gap sensor.

When the head gap sensor reacts, a buzzer goes off.

To fine-tune the height, open the front cover and make the adjustments from a close distance.



#### 3. Press [▶] to display the screen shown below.



#### 4. Close the front cover.

#### IMPORTANT

The following step moves the flat table rearward. If the object to be printed on hits the head gap sensor forcefully, the object to be printed on may be damaged or the head gap sensor may malfunction.

To re-adjust the height of the object to be printed on, press [◀] and redo the procedure from step 2.

#### 5. Press [ENTER].

The flat table moves and the height of the object to be printed on is detected. The flat table rises while moving backward and forward until the object to be printed on reaches a position where it comes in contact with the head gap sensor.

When the flat table stops moving and one short beep is heard, the setup is complete.

The height of the object to be printed on will be set automatically to a position about 1 mm (39.4 mil) away from the print head's ink emission surface.

#### MEMO

You can change the distance between the ink emission surface of the print heads and the object to be printed on. For details, refer to Adjusting the Distance between the Object to Be Printed On and the Print Heads(P. 61).

### 3. Set the print area.

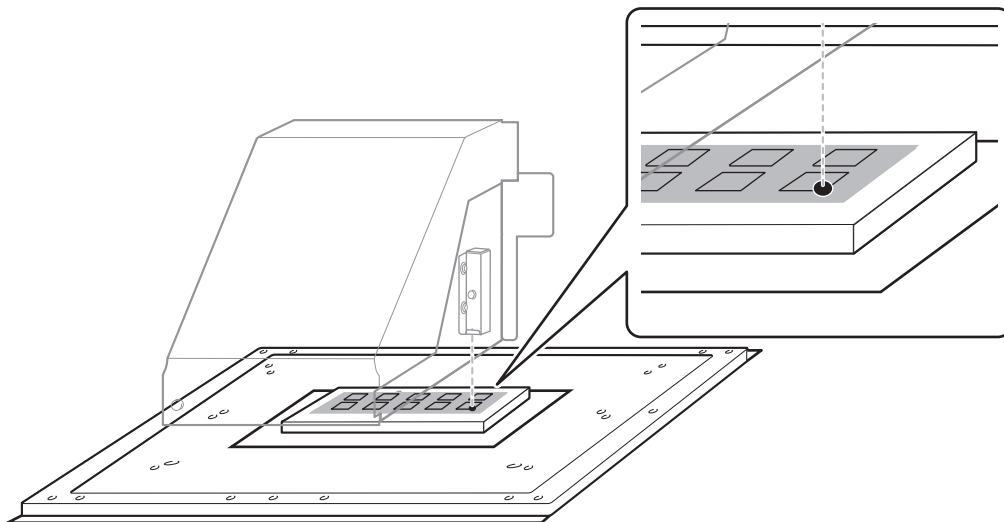
**Procedure**

1. Press [▲], [▼], [▶] or [◀] when the following screen appears.

```
SCAN: 0.0mm
FEED: 0.0mm ↵
```

The flat table and the print heads move so that the pointer points at the previously set printing base position.

2. Press [▲], [▼], [▶] or [◀] to move the pointer until it points to a position in the right foreground of the print area.



**MEMO**

**When the pointer is difficult to see**

Depending on the material of the object to be printed on, such as transparent media or high-gloss media with dark colors used on the print surface, the pointer may be difficult to see. In such cases, the pointer may become more visible by placing masking tape on the print surface or on the back.

3. Press [ENTER].

The print heads return to the home position and the following screen is displayed.

```
WIDTH: XXX.Xmm
LENGTH: XXX.Xmm ↵
```

**MEMO**

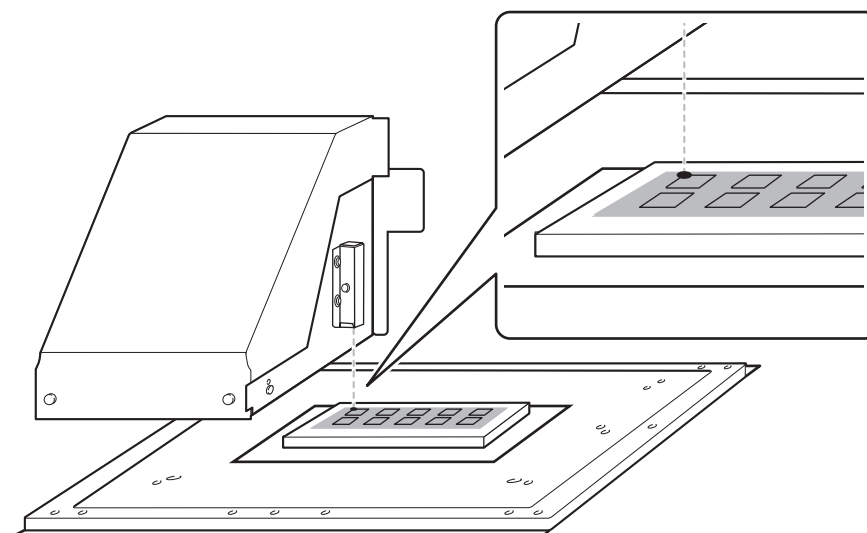
- The previously set values are displayed for "WIDTH" and "LENGTH."
- When the object to be printed on comes into contact with the head gap sensor, the setup is canceled and the screen shown below appears. Redo from 5. The height of the object to be printed on is detected automatically. (P. 38).

```
CHECK TABLE
HEIGHT ↵
```

When "CLEARANCE MODE" is set to "RE-ADJ." (Adjusting the Distance between the Object to Be Printed On and the Print Heads (P. 61)), the setup is not canceled and operation continues.

4. Press [▲], [▼], [▶] or [◀] to set "WIDTH" and "LENGTH" to values that match the size of the print area.

The pointer moves until it points to a position in the inner left of the print area.



5. Close the front cover when it is open.
6. Press [ENTER].  
The print area is specified. Print heads return to the standby position.
7. Make sure the "W" (width), "L" (length), and "H" (height) values on the menu screen are as intended.

W: 508mm L: 330mm H: 100.0mm
---------------------------------


**MEMO**

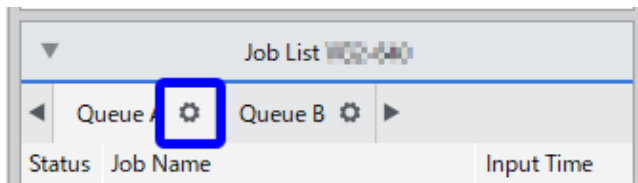
- If you want to use the print area specified here for the next printing operation, switch "SET AT SETUP" (Omitting the Setting of the Print Area(P. 85)) to "DISABLE." With this setting, you can set up the object to be printed on without setting the print area and base position.
- Automatic return is not possible for a set base printing position (home position). In other words, the setting must be configured again if the base printing position (home position) differs, such as when selecting a new object to be printed on.



## 4. Load the print area into VersaWorks.

### Procedure

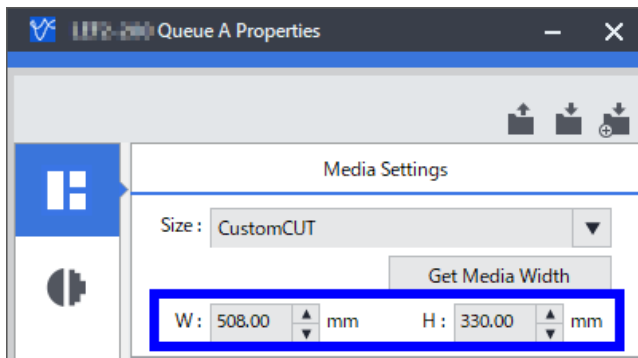
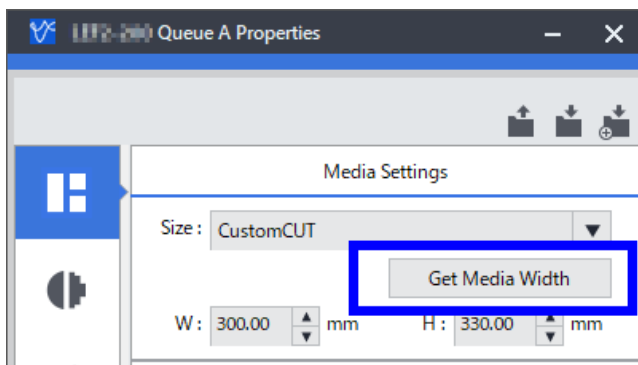
1. Start VersaWorks.
2. Check that:
  - VersaWorks Dual connects to the machine.
  - The status is "Ready to Print."
3. Click  for the queue folder that you want to use.



The [Queue Properties] window appears.

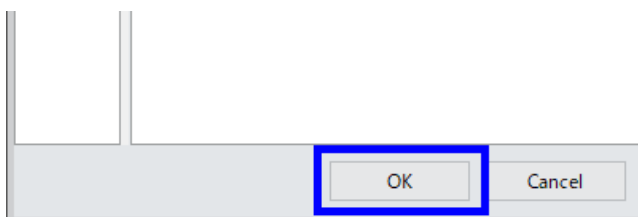
4. Click [Get Media Width].

The set print area is obtained from the printer and set here.



For other VersaWorks settings, refer to the help provided for VersaWorks.

5. Click [OK].

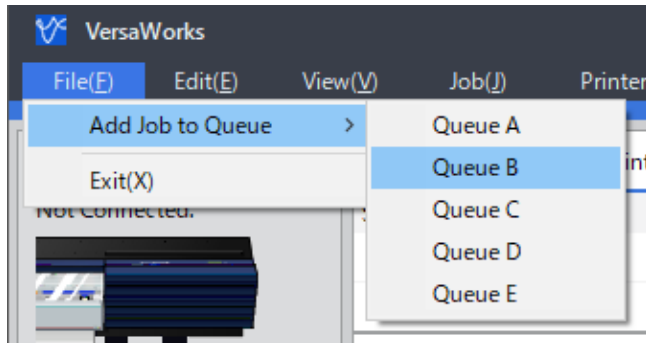


## 5. Perform printing

### Procedure

1. Click [File], [Add Job to Queue Folder] to select the queue folder to use.

The file opening screen is displayed.



2. Select the printing data to add to the job list, and then click [Open].

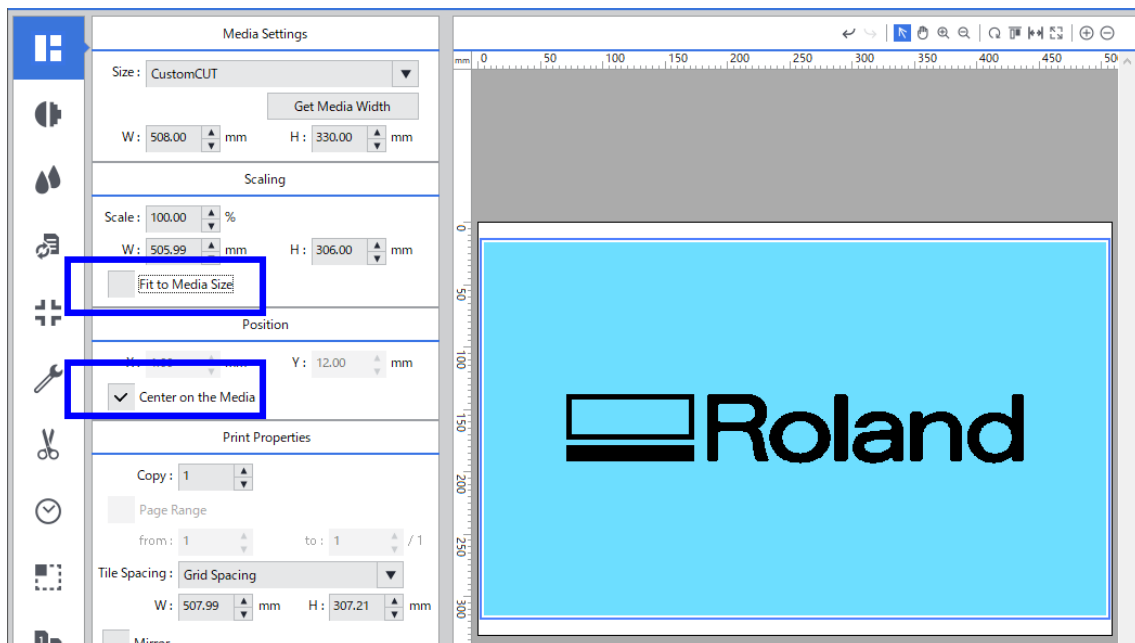
The selected data is displayed in the job list. To add more jobs, repeat step 1, 2.

#### MEMO

You can add jobs to the job list directly by dragging the icon for the printing data to the queue folder's job list.

3. In the job list, double-click the job whose print settings you want to change.

The job settings screen is displayed. Use this screen to fit the print data in the print area and adjust its position. The white part in the layout area is the loaded print area. The portion that is not in the print area will not be printed.

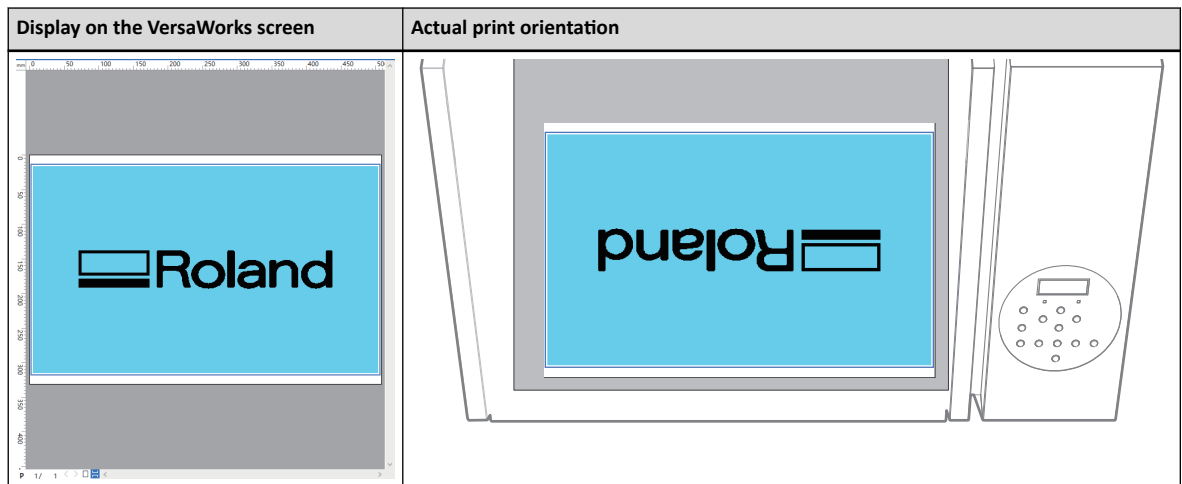


#### MEMO

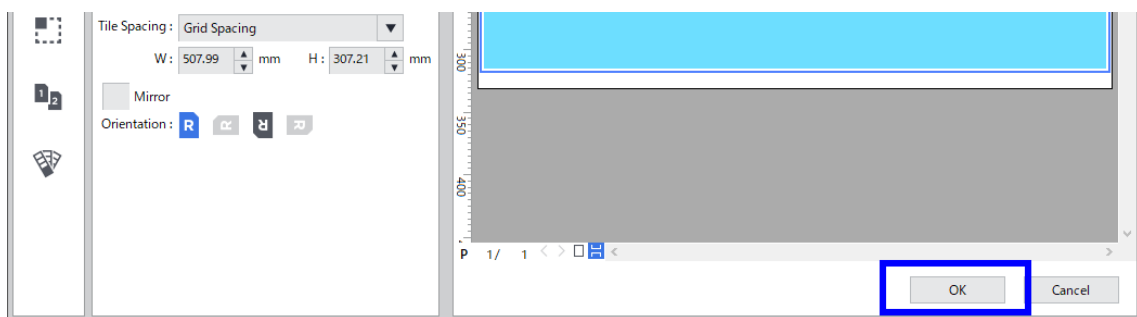
- Fit to Media Size: The print data is adjusted to match the print area.
- Center on the Media: The print data is placed in the center of the print area.

#### MEMO

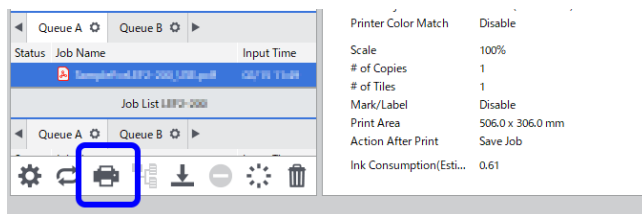
The orientation displayed on the VersaWorks screen is the opposite of the actual print orientation. Make sure the orientation of the object to be printed on is correct.



4. When the printing position is adjusted, click [OK].



5. Click .



Printing starts.

When the printing ends, the screen shown below appears on the display screen of the printer.



When this screen is displayed, no data is accepted from the computer.

**MEMO**

If [PRT CONTINUE] is set to "ENABLE", the screen shown in the figure (Continuously Printing Multiple Sets of Data(P. 86)) does not appear.

6. Press [ENTER].

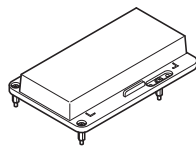

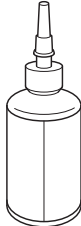
The screen shown below appears once more, and data from the computer can be accepted again.



### Step 3: Head Refreshing after Daily Operations

Head refreshing is an important operation that prevents clogging of the print heads.  
Refresh the heads:

- After daily operations.
- When the message "DO HEAD REFRESH" appears.
- When dot drop-out or dot displacement occurs.
- When an emergency stop occurs.
- When switching on the main power and sub power after the main power was previously switched off.

Required items		
		
Head refresher	Head cleaning sheet	Cleaning liquid for head refreshing

#### IMPORTANT

Be sure to hold the handle of the front cover and open and close it gently.

#### Procedure

1. If [SETUP] is lit, hold down [SETUP] for 1 second or more to cancel setup.  
[SETUP] turns off, and the flat table comes forward.

2. If the following message is displayed, press [ENTER].  
If this message is not displayed, start from step 5.

```
DO HEAD REFRESH
└─┘
```

3. Press [◀] or [▶] to select "YES".

```
DO REFRESH?  ◀▶
[YES]  NO    └─┘
```

#### MEMO

Selecting "NO" returns the display to the top menu (or initiates automatic cleaning, depending on the printer status). However, the same message will be displayed once a certain amount of time has passed and in specific situations (such as before the start of manual cleaning and during wiper replacement). Head refreshing is an important operation that keeps the print heads in good condition. Perform this operation with as close to the appropriate timing as possible.

4. Press [ENTER].  
Proceed to step 8.
5. Press [FUNCTION].
6. Press [▶] to display the screen shown below.

```
CLEANING  ◀◆
HEAD REFRESH └─┘
```

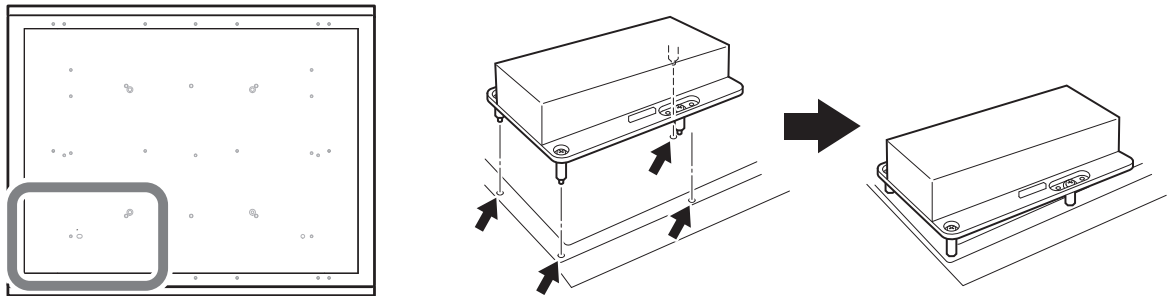
7. Press [ENTER].
8. When the following screen is displayed, open the front cover.



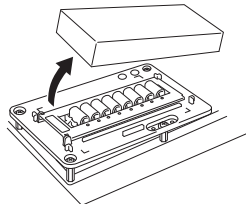
9. Check that nothing has been placed on top of the flat table.  
Remove any objects to be printed on and jigs that are present.
10. Attach the head refresher to the flat table in the prescribed location.

**IMPORTANT**

Be sure to attach the head refresher in this position. Attaching it in the incorrect position may lead to malfunctions caused by the head refresher hitting the print heads.



11. Remove the head refresher cover.



**IMPORTANT**

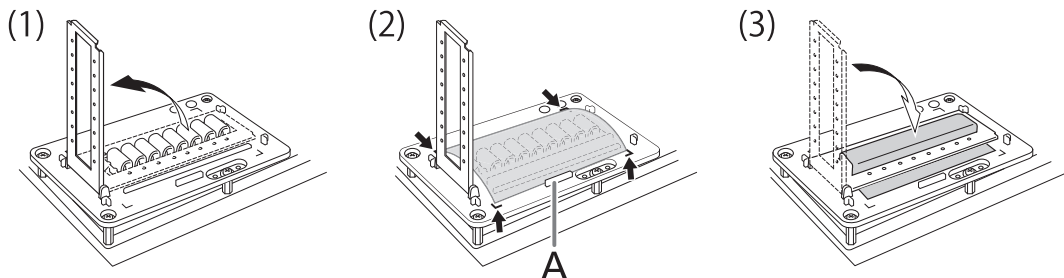
**Do not place the cover on the flat table.**

The cover being pinched between the head refresher and a part of the machine may lead to malfunctions. To avoid the risk of malfunctions, do not place the cover on the flat table.

12. Attach the head cleaning sheet to the head refresher.

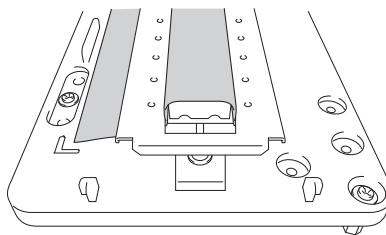
- (1) Open the sheet retaining cover.
- (2) Place the head cleaning sheet on the wiping part of the head refresher.  
Place the sheet so that it is aligned with the front position aligning tab (A) and its corners are inside the L-shaped marks.
- (3) Close the sheet retaining cover to secure the head cleaning sheet in place.

Secure the sheet to prevent it from loosening.



**Point**

To use the head refreshing function to its full effect, make sure that the head cleaning sheet is firmly fixed in place, with no slack. Failing to secure the sheet sufficiently will not only prevent you from obtaining the full effect of head refreshing but may also lead to print head malfunctions.



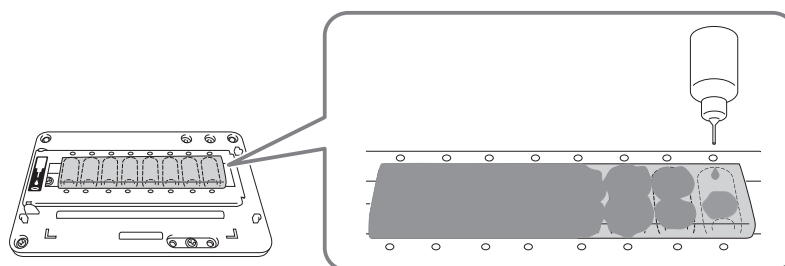
13. Press [ENTER].



14. When the following screen is displayed, apply head refreshing cleaning liquid to the head cleaning sheet.

**Point**

- As a guideline, apply 2 drops of cleaning liquid to a single cleaning pad. Apply 1 drop of cleaning liquid in each location, using the holes in the sheet retaining cover (8 holes in the front and 8 holes in the back for a total of 16 holes) as guidelines for the positions where to apply the liquid.
- Soak the cleaning liquid into the entirety of the head cleaning sheet covering the wiping part. Rubbing the print heads with a dry sheet may lead to malfunctions.



**IMPORTANT**

**Do not leave the bottle of cleaning liquid for head refreshing on the flat table.**

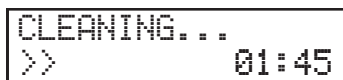
Leaving the cleaning liquid bottle on the flat table and proceeding to the next operation will lead to an error caused by the bottle hitting the head gap sensor.

15. Close the front cover.

16. Press [ENTER].



The screen shown below appears, and the head refresh starts. The (approximate) remaining time for the procedure is displayed on the screen. (The display shown below is an example. "01:45" = "1 minute and 45 seconds")



**MEMO**

If the possibility of the print heads hitting the head refresher (or some other obstacle) is detected, head refreshing is canceled and the following message is displayed.



Press [ENTER] to clear the message.

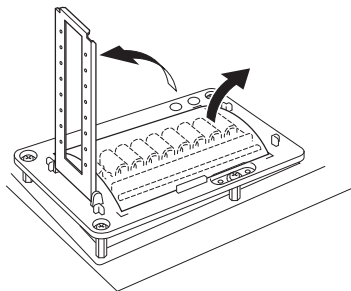
If the jig is in the way or has not been attached correctly, the head refresher position may be too high. Correctly reattach the head refresher by removing the jig or reviewing how the jig is attached. Then, perform head refreshing again.

17. When the following screen is displayed, open the front cover.

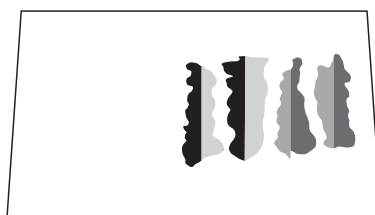


**18. Open the sheet retaining cover and remove the head cleaning sheet.**

Remove the sheet by pinching parts that are clean of ink and cleaning liquid. Use tweezers or gloves if getting cleaning liquid on your hands seems unavoidable.



**19. Check that there are traces of ink being wiped off onto the head cleaning sheet.**



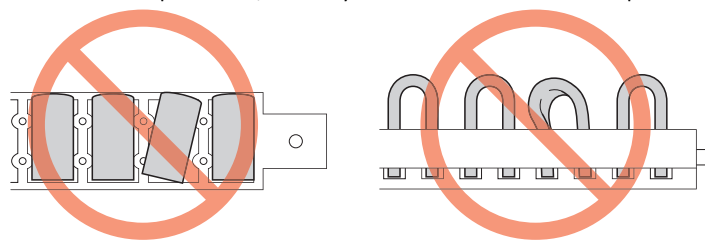
**IMPORTANT**

**Quickly dispose of used head cleaning sheets.**

Leaving a used head cleaning sheet inside the machine may lead to the machine's painting peeling off.

**Point**

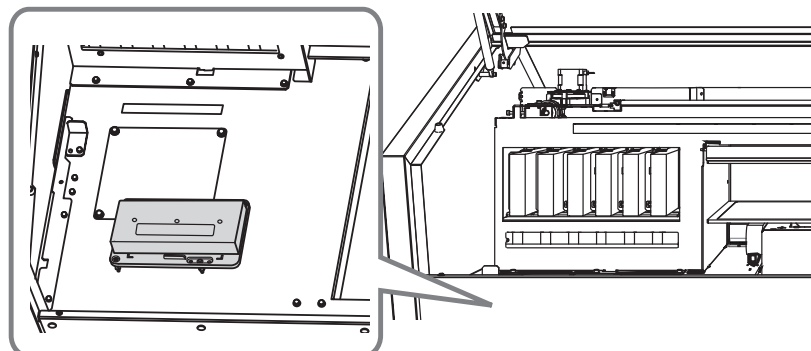
- If there are minor traces of ink being wiped off onto the sheet, head refreshing has failed. Check the following points, and then perform head refreshing again.
  - Has the head cleaning sheet been attached in the correct position?
  - Is the head cleaning sheet loose?
  - Has cleaning liquid soaked into the entirety of the head cleaning sheet?
  - Has too much cleaning liquid been applied? (The appropriate amount is two drops per cleaning pad.)
- Cleaning pads cannot be used if they are severely deformed (warped or tilted) or are coming free of the unit. Replace the cleaning pad unit. For information on replacement, contact your authorized Roland DG Corporation dealer.



**20. Remove the head refresher.**

**MEMO**

You can place the head refresher in the space on the left side of the machine.



**21.** Close the front cover.

**22.** Switch off the sub power.

**RELATED LINKS**

---

- P. 176 "Inquiries for Consumable Parts and Products"
-



# Pausing and Canceling Printing

You can pause and cancel printing before it finishes.

## Pausing and Resuming Printing

### IMPORTANT

We do not recommend resuming printing because horizontal stripes are produced at the place where printing was paused.

### Procedure

1. Press [PAUSE] before printing finishes.  
Printing pauses.
2. Press [PAUSE] again.  
Printing resumes.

## Canceling Printing

### Procedure

1. Press [PAUSE] before printing finishes.  
Printing pauses.
2. When the screen shown below appears, hold down [SETUP] for 1 second or longer.

TO CANCEL, HOLD  
DOWN SETUP KEY

This cancels printing operation.

3. Stop sending the output data from the computer.

# **Chapter 3 Optimizing Quality and Efficiency**

# 1. Optimizing the Setup Method

---

Adjusting the Height .....	59
Setting the Height of the Object to Be Printed On Manually.....	59
Adjusting the Distance between the Object to Be Printed On and the Print Heads.....	61
Enabling Automatic Height Adjustment during Printing.....	62
Determining the Maximum Value (Threshold) for Automatic Height Adjustment .....	63
Notes When the Print Surface Is Uneven .....	64
Changing the Z-axis (Height) Origin .....	65
Print Area Settings .....	66
Fixing the Base Position of the Print Area.....	66
Setting the Print Area Using the Center of the Print Area as the Base Position .....	67
Changing Just the Base (Home) Position .....	73

# Adjusting the Height

## Setting the Height of the Object to Be Printed On Manually

This section explains how to manually set the height of the object to be printed on. This is suited to the case when you do not want the head gap sensor to come in contact with the object to be printed on and the case when you want to set the distance between the heads and the object to be printed on.

The manual setting takes a little longer than the automatic setting because you need to visually set the height.

If the print surface is uneven, there is a limit to the area of unevenness.

### IMPORTANT

Be sure to hold the handle of the front cover and open and close it gently.

### Procedure

1. Secure the object to be printed on in place on the flat table.
2. Close the front cover.
3. Check that the following screen is displayed.



SETUP MEDIA

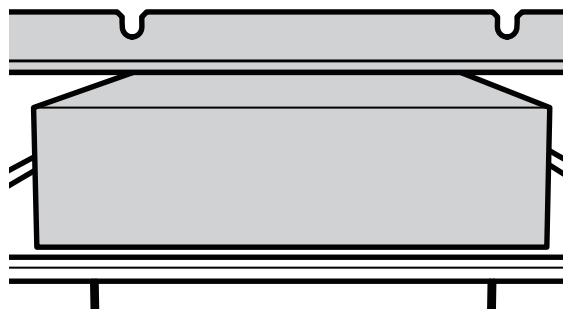
If this screen is not displayed, check that nothing has been placed on top of the flat table, and then hold down [SETUP] for 1 second or more.

The flat table will come forward into a position in which the object to be printed on can be set up.

4. Press [SETUP].  
[SETUP] starts to flash.
5. Open the front cover.
6. Press [▲], [▼], [UP] or [DOWN] to move the flat table, bringing the head gap sensor as close to the print surface as possible.

### IMPORTANT

- Set the height of the table in a way that the highest position of the print surface will not come into contact with the head gap sensor.
- Note that print quality will deteriorate as the distance between the head gap sensor and print surface widens.



### MEMO

When the screen shown below appears



AUTO DETECTION ◀  
↵

Pressing [ENTER] on this screen starts automatic height detection. During automatic detection, the head gap sensor comes into contact with the object to be printed on. If you do not want to perform automatic detection, press [◀] to return to the original screen.

7. Close the front cover when it is open.

**8.** When the location is set, press [ENTER].

### RELATED LINKS

---

- P. 32 "Three Checks before Printing"
  - P. 64 "Notes When the Print Surface Is Uneven"
-

## Adjusting the Distance between the Object to Be Printed On and the Print Heads

If the height (thickness) of the object to be printed on varies or if the object to be printed on is lifted or warped during printing, the object to be printed on might come into contact with the print heads. You can expand the distance between the object to be printed on and the print heads in advance to prevent issues like this from happening.

### IMPORTANT

- If the distance is expanded too much, the print quality may be deteriorated and the nozzles of the print heads may be clogged. Configure the settings so that the distance between the highest position of the object to be printed on and the lowest position of the print surface is 2 mm (78.7 mil) or less.
- This setting is enabled when the height of the object to be printed on is set automatically.
  - P. 70 「4.The height of the object to be printed on is detected automatically.」

### Procedure

1. Press [MENU].
2. Press [▼] to display the screen shown below.
3. Press [▶].
4. Press [▼] several times to display the screen shown below.

```
SUB MENU  ◀◆
AUTO DOWN ▶
```

5. Press [▶].

```
AUTO DOWN  ◀◆
0.0mm ▶ 1.5mm ↵
```

6. Press [▲] or [▼] to set the distance between the object to be printed on and the print heads.

You can adjust the distance in increments of 0.1 mm (3.9 mil).

AUTO DOWN	Distance between the object to be printed on and the print heads
0.0 mm (default setting)	1.0 mm (39.4 mil)
:	:
2.0 mm (78.7 mil)	3.0 mm (118.1 mil)

7. Press [ENTER] to confirm your entry.
8. Press [MENU], then [◀] to go back to the original screen.

## Enabling Automatic Height Adjustment during Printing

This setting allows the height to be readjusted automatically to continue printing even when the object to be printed on moves out of position or lifts up and comes into contact with the head gap sensor during printing. This function is effective when using objects that cannot be reprinted on.

### Procedure

1. Press [MENU].
2. Press [▼] to display the screen shown below.

```
MENU      ◀◆
SUB MENU  ▶
```

3. Press [▶].
4. Press [▼] several times to display the screen shown below.

```
SUB MENU  ◀◆
CLEARANCE MODE ▶
```

5. Press [▶] twice.

```
CLEARANCE MODE ◀◆
CANCEL ▶RE-ADJ. ⏴
```

6. Press [▲] or [▼] to select "RE-ADJ."

CLEARANCE MODE	Explanation
RE-ADJ	The height is readjusted and printing continues even when the object to be printed on comes into contact with the head gap sensor during printing.
"CANCEL" (default setting)	Printing and setup will be canceled when the object to be printed on comes into contact with the head gap sensor during printing.

7. Press [ENTER] to confirm your entry.
8. Press [MENU], then [◀] to go back to the original screen.

### MEMO

- After printing, "READJUST TABLE HEIGHT(P. 191)" is displayed if the height was automatically adjusted.
- When the height is readjusted automatically and printing continues, the height setting is changed. Therefore, the print quality may be changed. Hence, proper printing requires that the object to be printed on be secured properly before printing to keep it from moving out of position or lifting up.
- At the time when the height is readjusted automatically, the head gap sensor comes into contact with the object to be printed on.
- Even if "RE-ADJ" is selected, printing and setup will be canceled in the following cases.
  - When the height reaches the maximum value (threshold) of automatic adjustment
  - When the object to be printed on comes into contact with the head gap sensor during automatic readjustment, even if the flat table has moved to the bottom
- The maximum value (threshold) for readjustment can be set. Refer to "Determining the Maximum Value (Threshold) for Automatic Height Adjustment(P. 63)" for details.
- When printing is canceled, "CANCELED FOR TABLE HEIGHT(P. 193)" or "CHECK TABLE HEIGHT(P. 193)" is displayed.

## Determining the Maximum Value (Threshold) for Automatic Height Adjustment

You can set the maximum value (the threshold) to use when automatically adjusting the height of the table during printing.

This setting is only enabled when "CLEARANCE MODE" is set to "RE-ADJ."

### Procedure

1. Press [MENU].
2. Press [▼] to display the screen shown below.

```
MENU          ◀◆
SUB MENU      ▶
```

3. Press [▶].
4. Press [▼] several times to display the screen shown below.

```
SUB MENU      ◀◆
CLEARANCE MODE ▶
```

5. Press [▶], then [▼] to display the screen shown below.

```
CLEARANCE MODE ◀◆
THRESHOLD      ▶
```

6. Press [▶].
7. Press [MENU], then [◀] to go back to the original screen.

### MEMO

The greater the distance between the print surface and the print head, the greater the trend for the printing image quality to drop. Therefore, it is beneficial to minimize the adjustment width. Keep the following points in mind when determining the setting value.

- Consider the effect on the printing image quality in order to obtain satisfactory image quality.
- The variation in height across the entire print surface (not the print target area but including parts that will not be printed)



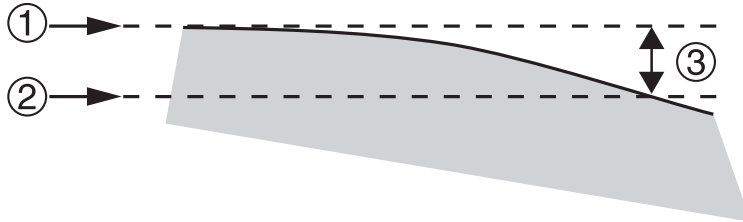
---

### Notes When the Print Surface Is Uneven

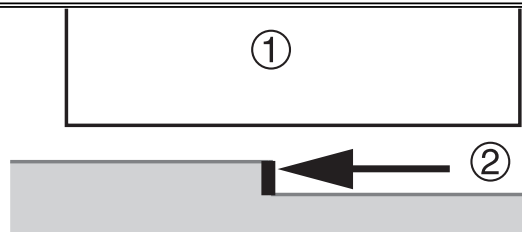
This machine can also print on uneven surfaces. However, remember the following points for the height setting.

**The gap between the "highest position of the object to be printed on" (①) and the "lowest position of the print surface" (②) should be 2 mm (78.7 mil) or less (③; as a general guide).**

Print quality at the lower position degrades as the height gap widens.



**Printing on a surface (②) that is perpendicular to the print heads (①) is not possible.**



## Changing the Z-axis (Height) Origin

You can select whether to set the origin of the Z axis (which indicates the distance in the height direction) to the lowest or highest position on the Z axis.

### Procedure

1. Press [MENU].
2. Press [▼] to display the screen shown below.



3. Press [▶].
4. Press [▲] or [▼] to select "SET Z AXIS."

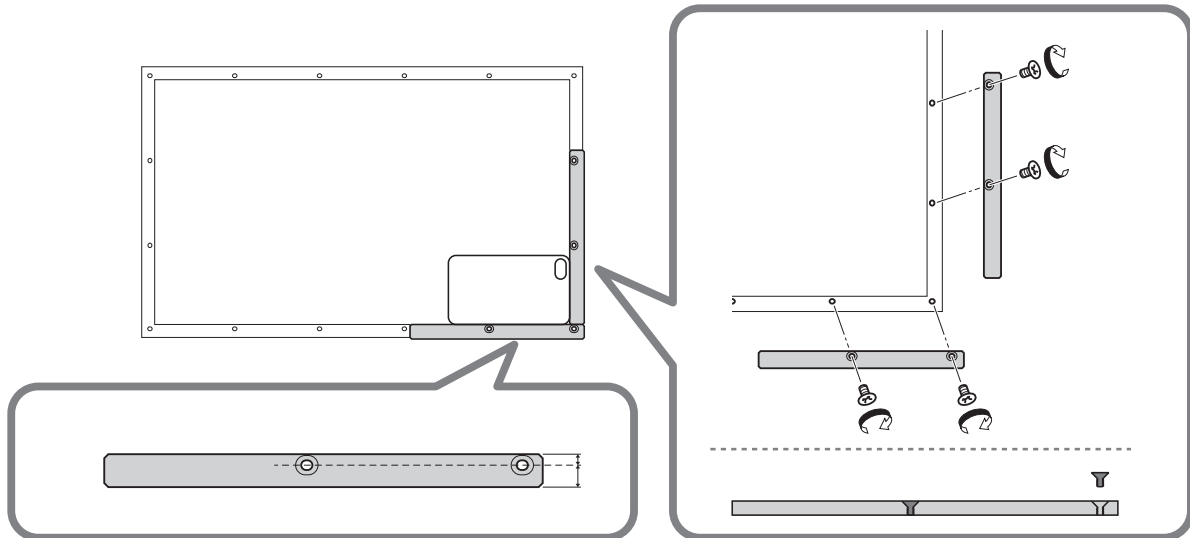
SET Z AXIS	Explanation
"HGT" (Default setting)	The lowest position on the Z axis is used for the origin (0 mm), and the distance up along the axis from the origin is displayed as the height ("HGT").
"THK"	The highest position on the Z axis is used for the origin (0 mm), and the distance down along the axis from the origin is displayed as the thickness ("THK"). The value displayed as "THK" takes into account items such as the height of the flat table. Therefore, the displayed value may differ from the actual thickness of the object to be printed on.

5. Press [ENTER] to confirm your entry.
6. Press [MENU], then [◀] to go back to the original screen.

# Print Area Settings

## Fixing the Base Position of the Print Area

You can use a positioning jig to fix the lower right corner of the flat table as the base position (home position) of the print area.

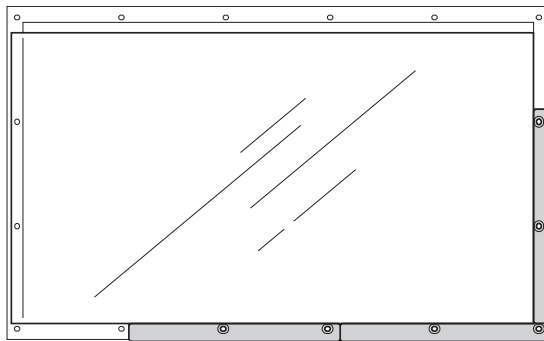


### MEMO

The positioning jig has a correct orientation for use. Use the figure above as reference.

- The side farther from the fixing holes comes to the outside.
- Make sure that the top and bottom sides are correct.

You can also use multiple positioning jigs according to the size of the object to be printed on.



### IMPORTANT

When using positioning jigs, select objects to be printed on that have a thickness of 3 mm (0.1 in.) or more. If the object is less than 3 mm (0.1 in.) thick, the print surface will be lower than the positioning jigs, preventing height from being set correctly.

## Setting the Print Area Using the Center of the Print Area as the Base Position

### 1. Set the machine so that the print area is set each time before setting up the media.

Prevent printing in the incorrect position by specifying the print area before setting up the object to be printed on.

#### Procedure

1. Press [MENU].
2. Press [▼] to display the screen shown below.

```
MENU      ◀◆
SUB MENU  ▶
```

3. Press [▶] twice to display the screen shown below.

```
SET AT SETUP  ◀◆
ENABLE ▶DISABLE↵
```

4. Press [▲] or [▼] to select "ENABLE".
5. Press [ENTER] to confirm your entry.
6. Press [◀].

## 2. Set the base printing position to the center of the print area.

Set the base printing position (home position) in the center of the print area. This setting method is appropriate when clear specification of the print area is difficult or when the print site is curved or uneven.

Print area setup can be performed with the front cover open. However, if the front cover is left open for approximately 40 seconds, the print heads automatically return to the home position. The menu returns to the previous one. Repeat the procedure.

### Procedure

1. Press [▼] twice, and then press [▶] once to display the screen shown below.

```
SET BASE POS. ◀◆
LOWER R▶LOWER R↓
```

2. Press [▲] or [▼] to select "CENTER".

```
SET BASE POS. ◀◆
LOWER R▶CENTER ↓
```

3. Press [ENTER] to confirm your entry.
4. Press [MENU], then [◀] to go back to the original screen.

### MEMO

Setting the base printing position to "CENTER" disables the [FUNCTION CHANGE ORIGIN] menu (Changing Just the Base (Home) Position(P. 73)).

---

### 3. Attach the object to be printed on.


---

**IMPORTANT**

Be sure to hold the handle of the front cover and open and close it gently.

**Procedure**

1. Check that the following screen is displayed.



SETUP MEDIA

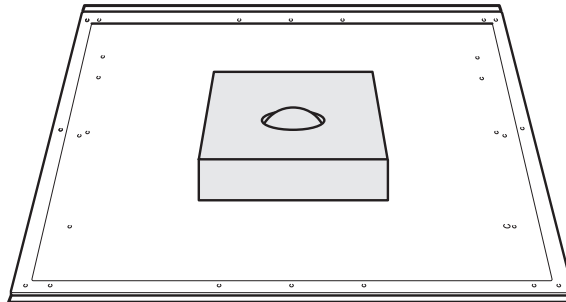
If this screen is not displayed, check that nothing has been placed on top of the flat table, and then hold down [SETUP] for 1 second or more.

The flat table will come forward into a position in which the object to be printed on can be set up.

2. Open the front cover.
3. Secure the object to be printed on.

A jig might be required according to the shape of the object to be printed on.

The following figure shows an example of using jigs to fit the shape of the object to be printed on.



4. Close the front cover.

---

**RELATED LINKS**

- P. 32 "Three Checks before Printing"
-

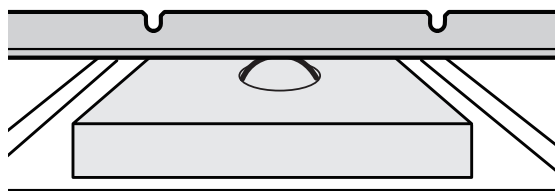
## 4. The height of the object to be printed on is detected automatically.

The height of the object to be printed on is automatically detected, and the print heads are adjusted to the appropriate height for printing.

### Procedure

1. Press [SETUP].  
[SETUP] starts to flash.
2. Open the front cover.
3. Press [▲], [▼], [UP] or [DOWN] to move the flat table, bringing the highest position of the print surface into contact with the head gap sensor.

When the head gap sensor reacts, a buzzer goes off.



4. Press [▶] to display the screen shown below.



5. Close the front cover.

### IMPORTANT

The following step moves the flat table rearward. If the object to be printed on hits the head gap sensor forcefully, the object to be printed on may be damaged or the head gap sensor may malfunction.

To re-adjust the height of the object to be printed on, press [◀] and redo the procedure from step 2.

6. Press [ENTER] to confirm your entry.

The flat table moves and the height of the object to be printed on is detected. The flat table rises while moving backward and forward until the object to be printed on reaches a position where it comes in contact with the head gap sensor.

When the flat table stops moving and one short beep is heard, the setup is complete.

The height of the object to be printed on will be set automatically to a position about 1 mm (39.4 mil) away from the print head's ink emission surface.

### MEMO

You can change the distance between the ink emission surface of the print heads and the object to be printed on. For details, refer to Adjusting the Distance between the Object to Be Printed On and the Print Heads(P. 61).

## 5. Set the print area.

For a printing test, set the print area with a "WIDTH" of 90 mm (3.5 in.) or more and a "LENGTH" of 70 mm (2.8 in.) or more. An error will occur and printing tests cannot be performed if the area is smaller than this.

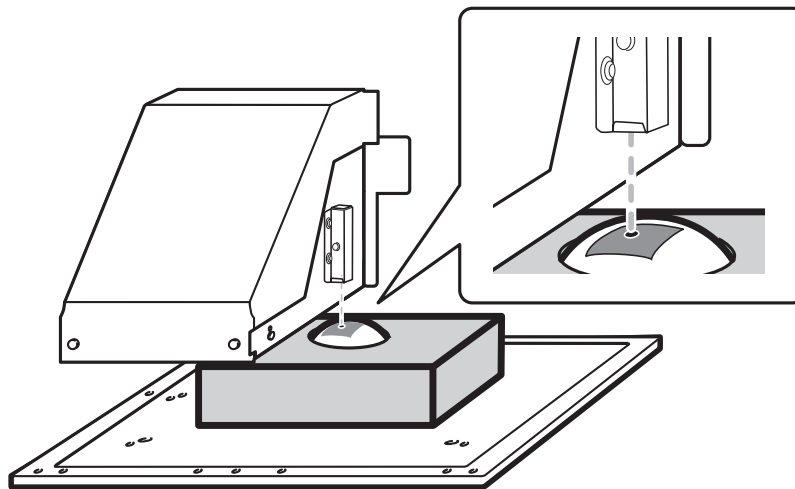
### Procedure

1. Press [▲], [▼], [▶] or [◀] when the following screen appears.

```
SCAN:  0.0mm
FEED:  0.0mm ↵
```

The flat table and the print heads move so that the pointer points at the previously set printing base position.

2. Press [▲], [▼], [▶] or [◀] to move the pointer until it points to a position in the center of the print area.



### MEMO

#### When the pointer is difficult to see

Depending on the material of the object to be printed on, such as transparent media or high-gloss media with dark colors used on the print surface, the pointer may be difficult to see. In such cases, the pointer may become more visible by placing masking tape on the print surface or on the back.

3. Press [ENTER].

The print heads return to the home position and the following screen is displayed.

```
WIDTH: XXX.Xmm
LENGTH:XXX.Xmm ↵
```

### MEMO

- The previously set values are displayed for "WIDTH" and "LENGTH."
- When the object to be printed on comes into contact with the head gap sensor, the setup is canceled and the screen shown below appears. Redo from 4. The height of the object to be printed on is detected automatically. (P. 70).

```
CHECK TABLE
HEIGHT ↵
```

When "CLEARANCE MODE" is set to "RE-ADJ." (Enabling Automatic Height Adjustment during Printing(P. 62)), the setup is not canceled and operation continues.

4. Press [▲], [▼], [▶] or [◀] to set "WIDTH" and "LENGTH" to values that match the width and length of the print area.
5. Close the front cover when it is open.
6. Press [ENTER].

The print area is specified. Print heads return to the standby position.



**7.** Make sure the "W" (width), "L" (length), and "H" (height) values on the menu screen are as intended.



W: 508mm L: 330mm  
H: 100.0mm

**MEMO**

- If you want to use the print area specified here for the next printing operation, switch "SET AT SETUP" (Omitting the Setting of the Print Area(P. 85)) to ""DISABLE"." With this setting, you can set up the object to be printed on without setting the print area and base position.
- Automatic return is not possible for a set base printing position (home position). In other words, the setting must be configured again if the base printing position (home position) differs, such as when selecting a new object to be printed on.

## Changing Just the Base (Home) Position

You can change just the base (home) position for each printing operation. Even if you change the base position, the diagonal position does not change, so the "WIDTH" and "LENGTH" values are changed according to the change to the base position.

### 1. Check that "SET BASE POS." is set to "LOWER R."

#### Procedure

1. Press [MENU].
2. Press [▼] to display the screen shown below.

```
MENU      ◀◆
SUB MENU  ▶
```

3. Press [▶] once, and then press [▼] several times to display the screen shown below.

```
SUB MENU  ◀◆
SET BASE POS. ▶
```

4. Press [▶] to display the screen shown below.

```
SET BASE POS. ◀◆
CENTER ▶LOWER R␣
```

5. If "CENTER" is selected, press [▲] or [▼] to select "LOWER R".  
If "LOWER R" is already selected, proceed to step 7.

```
SET BASE POS. ◀◆
CENTER ▶LOWER R␣
```

6. Press [ENTER] to confirm your entry.
7. Press [MENU], then [◀] to go back to the original screen.

## 2. Changing the Base (Home) Position

### Procedure

1. Press [FUNCTION].
2. Press [▼] several times to display the screen shown below.

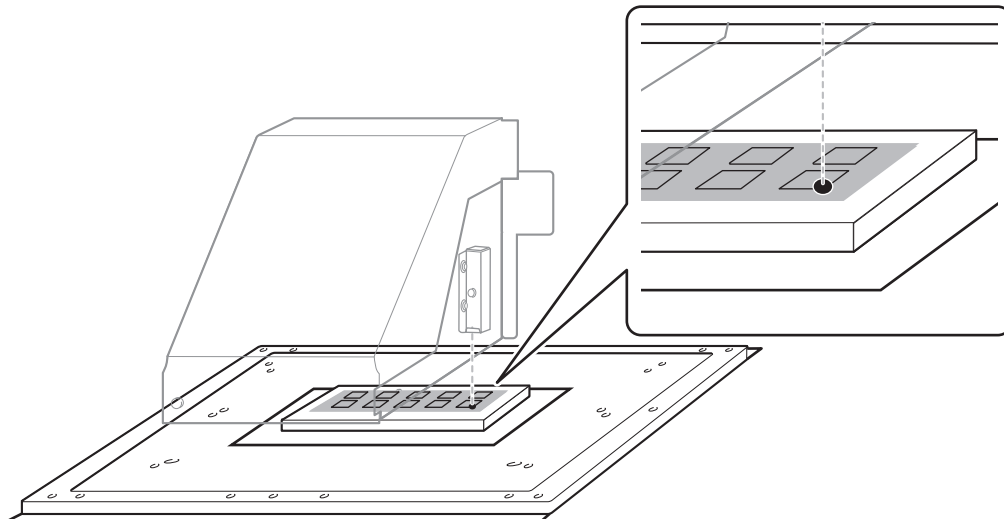
```
FUNCTION  ◀▶
CHANGE ORIGIN  ↵
```

3. Press [ENTER].
4. Press [▲], [▼], [▶] or [◀] when the following screen appears.

```
SCAN:    0.0mm
FEED:    0.0mm  ↵
```

The flat table and the print heads move so that the pointer points at the previously set printing base position.

5. Press [▲], [▼], [▶] or [◀] to move the pointer until it points to a position in the right foreground of the print area.



### MEMO

#### When the pointer is difficult to see

Depending on the material of the object to be printed on, such as transparent media or high-gloss media with dark colors used on the print surface, the pointer may be difficult to see. In such cases, the pointer may become more visible by placing masking tape on the print surface or on the back.

6. Press [ENTER].  
The base (home) position for printing is changed.  
The print heads return to the home position and the following screen is displayed.

```
FUNCTION  ◀▶
CHANGE ORIGIN  ↵
```

7. Press [FUNCTION] to go back to the original screen.

# 2. Optimizing the Printing Quality

---

Preventing Ink Discharge Defects.....	76
Preventing Soiling of the Object to Be Printed On and Dot Drop-out .....	76
Reducing Ink Mist (Ink Spatter).....	77
Preventing Primer Dot Drop-out.....	78
Improving Ink Adhesion .....	79
Additional UV Lamp Illumination after Printing.....	79

# Preventing Ink Discharge Defects

## Preventing Soiling of the Object to Be Printed On and Dot Drop-out

Removing the ink buildup on the print head surface before or during printing prevents soiling of the object to be printed on, dot drop-out, and dot displacement.

In the following cases, ink tends to collect on the surface of the print heads.

- When you use an object to be printed on that is prone to a buildup of static charge
- When the ambient temperature is low.

### Procedure

1. Press [MENU].
2. Press [▼] to display the screen shown below.

```
MENU      ◀◆
SUB MENU  ▶
```

3. Press [▶].
4. Press [▼] several times to display the screen shown below.

```
SUB MENU  ◀◆
PERIODIC CL. ▶
```

5. Press [▶].

```
PERIODIC CL. ◀◆
NONE ▶ 10min ↵
```

6. Press [▲] or [▼] to select an item.

PERIODIC CL.	Explanation
"PAGE"	Automatic cleaning is performed each time prior to the start of printing.
5 to 990"MIN"	Automatic cleaning is performed each time prior to the start of printing. Cleaning is also performed during printing when the set time elapses. The color may become uneven because the printing is paused.
"NONE" (default setting)	Cleaning during printing is not performed.

7. Press [ENTER] to confirm your entry.
8. Press [MENU], then [◀] to go back to the original screen.

### MEMO

Using ""NONE"" or a value from "5 "MIN"" to "990 "MIN"" results in longer printing times.

## Reducing Ink Mist (Ink Spatter)

Under some printing conditions (such as low temperature or when a static charge is likely), a greater amount of ink mist (ink spatter during printing) may be produced and adversely affect the print quality. In these cases, you may be able to alleviate the symptom by lowering the rotation of the carriage fan.

### Procedure

1. Press [MENU].
2. Press [▼] to display the screen shown below.

```
MENU      ◀◆
SUB MENU  ▶
```

3. Press [▶].
4. Press [▼] several times to display the screen shown below.

```
SUB MENU  ◀◆
MIST CATCHER ▶
```

5. Press [▶].

CONT.

```
MIST CATCHER ◀◆
OFF          ▶LOW  ↵
```

6. Press [▲] or [▼] to select an item.

MIST CATCHER	Explanation
"HIGH"(Default settings)	Rotates the carriage fan at high speed.
"MIDDLE"	Rotates the carriage fan at middle speed.
"LOW"	Rotates the carriage fan at low speed.
"OFF"	Does not rotate the carriage fan.

7. Press [ENTER] to confirm your entry.
8. Press [MENU], then [◀] to go back to the original screen.

### MEMO

Whether the symptom can be alleviated or not depends on the temperature and the type of object to be printed on. Be sure to check the print status as you adjust the setting.

However, the purpose of the carriage fan is to prevent ink buildup on the surface of print heads. Lowering its rotation will lead to more dot drop-outs. This means, if you specify "MIDDLE""LOW" or "OFF", you should perform normal cleaning more frequently. The "PERIODIC CL." (Preventing Soiling of the Object to Be Printed On and Dot Drop-out(P. 76)) setting is also effective against dot drop-outs.

## Preventing Primer Dot Drop-out

This cleaning prevents dot drop-out for printers equipped with primer. When data that includes primer or white is printed, cleaning is performed if the time that has elapsed since the last cleaning operation exceeds the set time. This cleaning function can only be used when you are using primer (the ink type is ECO-UV CMYKPrW or ECO-UV 4CMYKPrW).

### Procedure

1. Press [MENU].
2. Press [▼] to display the screen shown below.

```
MENU      ◀◆
SUB MENU  ▶
```

3. Press [▶].
4. Press [▼] several times to display the screen shown below.

```
SUB MENU  ◀◆
PRIMER CL. ▶
```

5. Press [▶].

```
PRIMER CL. ◀◆
 30min ▶60min ↵
```

6. Press [▲] or [▼] to select an item.

PRIMER CL.	Explanation
"PAGE"	Automatic cleaning is performed each time prior to the start of printing.
10 to 360 "MIN" (Default setting: 30"MIN")	If the time that has elapsed since the last cleaning operation exceeds the set time, cleaning will be performed before printing starts. You can set the value in units of 10 minutes from 10 minutes to 360 minutes.
"NONE"	Cleaning is not performed prior to the start of printing.

7. Press [ENTER] to confirm your entry.
8. Press [MENU], then [◀] to go back to the original screen.

# Improving Ink Adhesion

## Additional UV Lamp Illumination after Printing

When the ink is not completely cured after printing is complete, cure the ink by illuminating it once again with the UV-LED lamp.

A characteristic of UV ink is that it cures quickly when exposed to light from the UV-LED lamp, but curing may be difficult for materials that absorb ink like cloth. This function may alleviate this symptom.

### Procedure

1. Press [FUNCTION].
2. Press [▼] several times to display the screen shown below.

```
FUNCTION    ◀◆
UV SCANNING ◀↓
```

3. Press [▼] several times to display the screen shown below.
4. Press [ENTER].

The print heads move, and the print area is illuminated by the UV-LED lamp.

### MEMO

- This function cannot be used if the setup of the object to be printed on has been canceled ([SETUP] is off).
- The UV-LED lamp illuminates the print area configured in the setup of the object to be printed on.
- To change the range of emission, readjust the print area.
- The effect depends on the material of the object to be printed on.
- You can stop the operation by pressing [ENTER] while operation is in progress.

```
TO CANCEL,
PRESS ENTER KEY
```

- With VersaWorks, you can configure the settings so that additional emission continues after printing without using this function. For more information, refer to [VersaWorks Help](#).



# 3. Optimizing Work Efficiency

---

Using the Preset Function .....	81
Saving the Current Settings in Presets .....	81
Load a Preset and Print.....	83
Making Fine Adjustments and Printing a Preset .....	84
Reducing Print Time .....	85
Omitting the Setting of the Print Area .....	85
Continuously Printing Multiple Sets of Data .....	86
Minimizing Print Head Movement.....	87
Setting the Smallest Possible Print Area .....	88
Reducing Paper Used during Printing Tests.....	89
Performing Printing Tests Arranged Horizontally.....	89

# Using the Preset Function

## Saving the Current Settings in Presets

The settings configured in the setup for the object to be printed on can be saved as a preset. You can save up to 40 different presets.

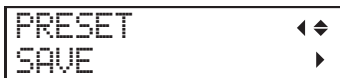
The following settings can be saved.

- Base (home) position to be set up every time
  - P. 67 「1.Set the machine so that the print area is set each time before setting up the media.」
- Height of the object to be printed on (thickness)  
Setting the Height of the Object to Be Printed On Manually(P. 59)
- Print area (including the printing base position)
  - P. 46 「3.Set the print area.」
  - P. 67 「Setting the Print Area Using the Center of the Print Area as the Base Position」
- Base printing position
  - P. 36 「3.Set the lower-right corner of the object to be printed on to the base printing position.」
  - P. 68 「2.Set the base printing position to the center of the print area.」
- Continuous printing
  - P. 86 「Continuously Printing Multiple Sets of Data」
- Fixed-width printing
  - P. 87 「Minimizing Print Head Movement」

You can assign a name to each preset. Using the names of the objects to be printed on for these presets may aid recognition.

### Procedure

1. Set up the object to be printed on (height position, print area), and then check that [SETUP] is lit.
2. Press [MENU].
3. Press [▶] once, and then press [▼] twice to display the screen shown below.



A monochrome LCD screen showing the text "PRESET" on the top line and "SAVE" on the bottom line. To the right of "PRESET" are left and right arrow symbols. To the right of "SAVE" is a right arrow symbol.

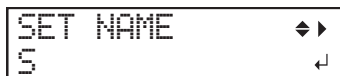
4. Press [▶] to display the screen shown below.



A monochrome LCD screen showing the text "SAVE" on the top line and "NAME1" on the bottom line. To the right of "SAVE" are left and right arrow symbols. To the right of "NAME1" is a left arrow symbol.

5. Decide on the preset number.
  - (1) Press [▲] or [▼] to select from "NAME1" to "NAME40."
  - (2) Press [ENTER] to confirm your entry.

The current menu settings are saved, and then the screen shown below appears.



A monochrome LCD screen showing the text "SET NAME" on the top line and "S" on the bottom line. To the right of "SET NAME" are left and right arrow symbols. To the right of "S" is a left arrow symbol.

6. Set the preset name.
  - (1) Press [▲] or [▼] to select a character.
  - (2) When you have selected the character you want to enter, press [▶].  
The characters you can enter are "A" through "Z," "0" through "9," and the "-" character.
  - (3) Press [▲] or [▼] to select the next character.  
Select the following characters in the same way. You can enter up to 15 characters, including spaces.



A screenshot of a device screen showing a menu with two options: "SET NAME" and "SAMPLE". To the right of "SET NAME" are three navigation arrows (left, center, right). To the right of "SAMPLE" is a return key icon (a small square with a downward arrow).

(4) When you have finished, press [ENTER] to confirm your entry.

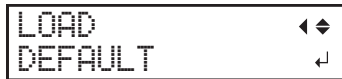
**7.** Press [MENU], then [◀] to go back to the original screen.

## Load a Preset and Print

This loads a saved preset from among the 40 types of presets. If you load a preset while [SETUP] is lit, [SETUP] flashes. After that, when the setup operation is complete, [SETUP] returns to being lit.

### Procedure

1. Press [MENU].
2. Press [▶], then [▼][▶] to display the screen shown below.



A rectangular screen with a black border. The top line displays 'LOAD' and the bottom line displays 'DEFAULT'. To the right of 'LOAD' is a left-pointing arrow and a diamond symbol. To the right of 'DEFAULT' is a right-pointing arrow and a diamond symbol.

3. Select the preset that you want to load.

Select one of the 40 types of presets (when no names have been assigned, select from NAME1 to NAME40) or DEFAULT (DEFAULT is the factory defaults for each setting).

- (1) Press [▲] or [▼] to select the name of the preset you want to load.
- (2) Press [ENTER] to confirm your entry.

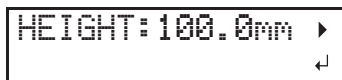


A rectangular screen with a black border. The top line displays 'SETUP MEDIA' and the bottom line displays 'NAME18'.

Setup is canceled and [SETUP] turns off. The selected preset name is displayed on the lower right side of the screen.

4. Attach the object to be printed on.
5. Press [SETUP].

The loaded preset setting is displayed.



A rectangular screen with a black border. The top line displays 'HEIGHT: 100.0mm' and the bottom line displays a right-pointing arrow and a diamond symbol.

6. Press [ENTER].

The screen shown below appears.



A rectangular screen with a black border. The top line displays 'W: 508mm L: 330mm' and the bottom line displays 'H: 100.0mm NAME18'.

7. Perform printing.

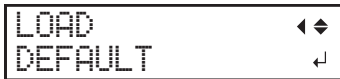
---

## Making Fine Adjustments and Printing a Preset

You can change part of a preset and then perform printing. For instance, you can just change the height of the object to be printed on and the print area without changing the other settings.

### Procedure

1. Press [MENU].
2. Press [▶], then [▼][▶] to display the screen shown below.



3. Select the preset that you want to load.

Select one of the 40 types of presets (when no names have been assigned, select from NAME1 to NAME40) or DEFAULT (DEFAULT is the factory defaults for each setting).

- (1) Press [▲] or [▼] to select the name of the preset you want to load.
- (2) Press [ENTER] to confirm your entry.



Setup is canceled and [SETUP] turns off. The selected preset name is displayed on the lower right side of the screen.

4. Attach the object to be printed on.
5. Press [SETUP].

The loaded preset setting is displayed.



6. Change the necessary settings, such as height and print area.
7. Perform printing.

### RELATED LINKS

---

- P. 38 "5.The height of the object to be printed on is detected automatically."
  - P. 39 "6.Set the print area."
  - P. 48 "4.Load the print area into VersaWorks."
  - P. 49 "5.Perform printing"
  - P. 59 "Adjusting the Height"
  - P. 66 "Print Area Settings"
  - P. 86 "Continuously Printing Multiple Sets of Data"
  - P. 87 "Minimizing Print Head Movement"
-

# Reducing Print Time

## Omitting the Setting of the Print Area

When repeatedly printing in the same position on objects to be printed on that have the same shape, you can omit the setting of the print area.

### Procedure

1. Press [MENU].
2. Press [▼] to display the screen shown below.

```
MENU      ◀◆
SUB MENU  ▶
```

3. Press [▶] twice to display the screen shown below.

```
SET AT SETUP  ◀◆
ENABLE ▶ENABLE  ⓵
```

4. Press [▲] or [▼] to select "DISABLE".

```
SET AT SETUP  ◀◆
ENABLE ▶DISABLE⓵
```

5. Press [ENTER] to confirm your entry.

## Continuously Printing Multiple Sets of Data

You can set up printing so that when multiple sets of print data are sent at a time from the computer, the sent data is continuously printed.

### Procedure

1. Press [MENU].
2. Press [▼] to display the screen shown below.

```
MENU      ◀◆
SUB MENU  ▶
```

3. Press [▶].
4. Press [▼] several times to display the screen shown below.

```
SUB MENU  ◀◆
PRT CONTINUE ▶
```

5. Press [▶].

```
PRT CONTINUE ◀◆
ENABLE ▶DISABLE ↵
```

6. Press [▲] or [▼] to select an item.

PRT CONTINUE	Explanation
"ENABLE"	Select this setting when you want to output multiple data entries in a row without replacing the object to be printed on. This function is useful when you want to overlay multiple images on a single object to be printed on.
"DISABLE"	Even when multiple data entries are sent at a time from the computer, they are not output in a row and the screen shown below appears after one data entry is printed. <div data-bbox="632 1167 970 1243" style="border: 1px solid black; padding: 5px; margin: 5px 0;"> <pre>FINISHED PRINT                     ↵</pre> </div> If you want to replace the object to be printed on for each set of data, select "DISABLE".

7. Press [ENTER] to confirm your entry.
8. Press [MENU], then [◀] to go back to the original screen.

### MEMO

When "PRT CONTINUE" is set to "DISABLE" (Continuously Printing Multiple Sets of Data(P. 86)) and this screen is displayed, no data is accepted from the computer.

```
FINISHED PRINT
                    ↵
```

Press [ENTER] to return to the screen shown below, at which point it will be possible to once more accept data from the computer.

```
W:508mm L:330mm
H:100.0mm
```

## Minimizing Print Head Movement

The print time is reduced by restricting the operating range of the print heads. This feature is effective when the print area or print data has a small width.

### Procedure

1. Press [MENU].
2. Press [▼] to display the screen shown below.

```
MENU      ◀◆
SUB MENU  ▶
```

3. Press [▶].
4. Press [▼] several times to display the screen shown below.

```
SUB MENU  ◀◆
FULL WIDTH S ▶
```

5. Press [▶].

```
FULL WIDTH S ◀◆
FULL ▶      OFF Ⓡ
```

6. Press [▲] or [▼] to select an item.

FULL WIDTH S	Explanation
"PRTAREA"	Adjust the operating range of the print heads to the preset print area.
"OFF"	"OFF" matches the range of print heads movement to the print data. Movement is limited to the minimum amount necessary, and this can be expected to yield the fastest printing. When this feature is used, the time needed for the ink to harden is not constant, and an uneven color may result.
"FULL" (default setting)	"FULL" makes the speed of the movement of the object to be printed on constant at all times and produces the most stable printing results.

7. Press [ENTER] to confirm your entry.
8. Press [MENU], then [◀] to go back to the original screen.

### MEMO



For print data whose width gradually narrows (e.g., an inverted triangle), even if "FULL WIDTH S" is set to "OFF", the movement of the print heads may not match the print data. This is to prevent ink-curing failures caused by the print position and is not a malfunction.



---

### Setting the Smallest Possible Print Area

Specifying the minimum print area allows shortening the print time. Specify the print area to the minimum necessary. This restricts the range of the print head movement, which reduces the print time.

Example of good settings	Example of bad settings
	
The blank area in the print area is minimized	The print area has a lot of unnecessary blank areas

---

#### RELATED LINKS

- P. 39 "6.Set the print area."
  - P. 66 "Print Area Settings"
-

# Reducing Paper Used during Printing Tests

## Performing Printing Tests Arranged Horizontally

When performing printing tests successively, you can select "FEED" (vertical printing) or "SCAN" (horizontal printing) as the print position for the second and later tests in comparison to the first test.

### Procedure

1. Press [MENU].
2. Press [▼] several times to display the screen shown below.

```
MENU          ◀◆
SUB MENU      ▶
```

3. Press [▶], then [▲] to display the screen shown below.

```
SUB MENU      ◀◆
TEST PRINT POS ▶
```

4. Press [▶] to display the screen shown below.

```
TEST PRINT POS ◀◆
SCAN ▶ SCAN   ↵
```

5. Press [▲] or [▼] to select "SCAN".

```
TEST PRINT POS ◀◆
SCAN ▶ FEED   ↵
```

TEST PRINT POS	Explanation
"SCAN"	The second and later printing tests will be printed side-by-side horizontally. If the area for printing in the scan direction is not sufficient, printing will be performed on the next line.
"NONE"(Default settings)	The second and later printing tests will be printed in the same position of the first printing test.
"FEED"	The second and later printing tests will be printed side-by-side vertically. If the area for printing in the feed direction is not sufficient, printing will be performed in the next column.

6. Press [ENTER] to confirm your entry.
7. Press [MENU], then [◀] to go back to the original screen.

# 4. Optimizing Operation Management

---

Managing the Operations Appropriately and Efficiently.....	91
Setting the Date and Time .....	91
Setting the Start Timer.....	92
Sounding a Buzzer to Notify the User of the End of Printing.....	94
Determining What Happens When Ink Runs Out .....	95
Notifying the User of Ink Exceeding Its Shelf Life .....	96
Checking the Ink Shelf Life .....	97
Setting the Activation Interval for Sleep Mode (Power-saving Feature) .....	98
Deactivating the Sleep Mode (Power-saving Feature).....	99
Managing the Basic Settings of the Printer.....	100
Setting the Menu Language and Units of Measurement.....	100
Viewing System Information.....	101
Returning All Settings to Factory Defaults .....	102

# Managing the Operations Appropriately and Efficiently

## Setting the Date and Time

Setting the date and time on the printer makes it possible to use the start timer, which turns on the sub power.

### Procedure

1. Press [FUNCTION].
2. Press [▼] to display the screen shown below.



A monochrome LCD screen displaying the text 'FUNCTION' on the top line and 'TIMER' on the bottom line. To the right of the text are two sets of navigation arrows: a left arrow and a right arrow on the top line, and a right arrow on the bottom line.

3. Press [▶], [▼] or [▶] to display the screen shown below.

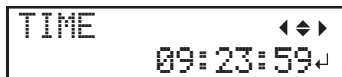


A monochrome LCD screen displaying the text 'DATE' on the top line and '2020/12/25' on the bottom line. The number '5' in '25' is underlined. To the right of the text are two sets of navigation arrows: a left arrow and a right arrow on the top line, and a right arrow on the bottom line.

- (1) Press [▲] or [▼] to set the year.
- (2) Press [▶].
- (3) Press [▲] or [▼] to set the month.
- (4) Press [▶].
- (5) Press [▲] or [▼] to set the day.

The number with the cursor (underline) is the one being set. You can use [◀] and [▶] to switch between the year, month, and day.

4. Press [ENTER] to confirm your entry.
5. Press [▼][▶] to display the screen shown below.



A monochrome LCD screen displaying the text 'TIME' on the top line and '09:23:59' on the bottom line. The number '9' in '09' is underlined. To the right of the text are two sets of navigation arrows: a left arrow and a right arrow on the top line, and a right arrow on the bottom line.

- (1) Press [▲] or [▼] to set the hour.
- (2) Press [▶].
- (3) Press [▲] or [▼] to set the minute.
- (4) Press [▶].
- (5) Press [▲] or [▼] to set the second.

6. Press [MENU], then [◀] to go back to the original screen.

➤ P. 92 「Setting the Start Timer」

### RELATED LINKS

- P. 91 "Setting the Date and Time"

## Setting the Start Timer

You can set a timer so that the machine finishes starting by the set time.

### Point

- Before configuring this setting, you need to set the date and time. For information about how to configure the settings, refer to "RELATED ITEM" at the end of this section.
- The timer specifies the next start date and time. Setting a regular start time is not possible.
- The timer can be set to a time between 10 minutes from the set date and time, to 23:50 3 days after the set date and time.
  - The minutes setting of the timer can be set at 10-minute intervals beginning with 00 minutes. Because setting less than 10 minutes is not possible, the following is an example of the shortest possible timer setting.

Example	Set date and time	12/03/17:33
	Configurable timer setting	12/03/17:50 to 12/06/23:50

### Procedure

1. Press [FUNCTION].
2. Press [▼] to display the screen shown below.

```
FUNCTION  ◀◆
TIMER    ▶
```

3. Press [▶] twice to display the screen shown below.

```
SET      09:23 ◀◆▶
12/25 11:30 ↵
```

### MEMO

Refresh the heads if the following screen is displayed during operation. Afterward, start over from the beginning. Continuing with operation without refreshing the heads is possible, but print quality may be affected, and deterioration of the print heads may be accelerated, and is not recommended.

```
DO HEAD REFRESH
↵
```

4. Set the date and time at which the machine will finish starting.

- (1) Press [▲] or [▼] to set the day.
- (2) Press [▶].
- (3) Press [▲] or [▼] to set the hour.
- (4) Press [▶].
- (5) Press [▲] or [▼] to set the minute.
- (6) Press [▶].

The number with the cursor (underline) is the one being set. You can use [◀] and [▶] to switch between the day, hour, and minute.

### MEMO

The start timer includes settings for day, hour, and minute. If the setting is configured at the end of the month, the setting will include up to 3 days into the following month.

5. Press [ENTER] to confirm your entry.
6. When the following screen is displayed, press [▲] or [▼] to set an action to be performed before startup completes. Startup will complete before the time set with the timer after the action configured here is performed.

```
ACTION  ◀◆
NONE    ↵
```

ACTION	Explanation
"NONE"	No action is performed before startup.
"CIRCULATE"	The white ink is circulated to eliminate ink precipitation, which restores the ink concentration.
"CLEANING"	Normal cleaning is performed.
"CIRCULATE + CL"	After circulating the white ink to eliminate ink precipitation, thereby restoring the ink concentration, normal cleaning is performed.

**MEMO**

When performing "CIRCULATE," the required time will vary depending on the machine status. This may result in errors occurring for several minutes before startup finishes.

**7. Press [ENTER] to confirm your entry.**

The sub power switches off automatically.

The key buttons on the operation panel flash slowly in order until the next time the machine starts.

**IMPORTANT**

After the sub power switches off, if the operation panel key buttons remain unlit, the timer was not configured. Perform the procedure again.

**MEMO**

If the following messages are displayed before the sub power is turned off, perform the operations indicated by the messages.

Messages	Explanation
CLOSE FRONT COVER↵	Close the applicable cover as directed in the message. The sub power turns off automatically when the cover is closed.
CLOSE PANEL COVER	
CLOSE THE COVER	
SHAKE WHITE INK CARTRIDGE↵	Remove the white ink cartridge, shake it 50 times (about 20 seconds) with a stroke length of around 5 cm (2 in.) from each end, and then reinsert it. Afterwards, press [ENTER] to switch off the sub power.

**MEMO**

- If you switch on the sub power button before the set start time, the start timer is cleared. To enable the start timer, set it again.
- If the front cover is open or an ink cartridge is not inserted appropriately when the set start time is reached, an error will occur and the machine will not be able to start.

**RELATED LINKS**

- P. 91 "Setting the Date and Time"
- P. 123 "Maintenance of Ink Cartridges"
- P. 133 "Head Refreshing Method"
- P. 190 "CLOSE XXX COVER"
- P. 191 "DO HEAD REFRESH"

## Sounding a Buzzer to Notify the User of the End of Printing

You can configure the settings so that the user is notified of the end of printing with a buzzer.

### Procedure

1. Press [MENU].
2. Press [▼] to display the screen shown below.

```
MENU          ◀◆
SUB MENU      ▶
```

3. Press [▶].
4. Press [▼] several times to display the screen shown below.

```
SUB MENU          ◀◆
PRINT-END BEEP   ▶
```

5. Press [▶] to display the screen shown below.

```
PRINT-END BEEP ◀◆
ON ▶          OFF ↵
```

6. Press [▲] or [▼] to select an item.

PRINT-END BEEP	Explanation
"OFF"(Default settings)	No buzzer sounds even when printing is finished.
"ON"	A buzzer sounds when printing is finished.

7. Press [ENTER] to confirm your entry.
8. Press [MENU], then [◀] to go back to the original screen.

## Determining What Happens When Ink Runs Out

This menu lets you determine the operation that takes place when an ink cartridge becomes empty during printing. The print quality will be affected by the selected operation.

### Procedure

1. Press [MENU].
2. Press [▼] to display the screen shown below.

```
MENU      ◀◆
SUB MENU  ▶
```

3. Press [▶].
4. Press [▼] several times to display the screen shown below.

```
SUB MENU  ◀◆
INK CONTROL ▶
```

5. Press [▶] twice to display the screen shown below.

```
EMPTY MODE ◀◆
STOP      ▶CONT.  ↵
```

6. Press [▲] or [▼] to select an item.

EMPTY MODE	Explanation
"STOP"(Default settings)	Printing is paused immediately when an ink cartridge becomes empty. Printing pauses, so colors may be uneven. To prevent uneven colors, ensure that a sufficient amount of ink remains before you begin printing.
"CONT."	A buzzer sounds when an ink cartridge becomes empty. Printing continues until all the data that this machine has received is printed. In this case, you can pause printing by pressing [PAUSE].

7. Press [ENTER] to confirm your entry.
8. Press [MENU], then [◀] to go back to the original screen.



## Notifying the User of Ink Exceeding Its Shelf Life

Use this menu item to set the machine so that a warning message ("INK SHELF LIFE EXPIRE") is displayed on the screen when the ink's shelf life is exceeded.

This message is displayed when the sub power is turned on for the first time after the ink has expired. A buzzer sounds at the same time the message is displayed.

### Procedure

1. Press [MENU].
2. Press [▼] several times to display the screen shown below.

```
MENU      ◀▶
INK SHELF LIFE ▶
```

3. Press [▶] twice to display the screen shown below.

```
SETTING   ◀▶
ENABLE ▶DISABLE ↵
```

4. Press [▲] or [▼] to select an item.

EMPTY MODE	Explanation
"ENABLE"(Default settings)	The user is notified of ink exceeding its shelf life with a buzzer and a message.
"DISABLE"	The user is not notified of the ink exceeding its shelf life.

5. Press [ENTER] to confirm your entry.
6. Press [MENU], then [◀] to go back to the original screen.

### MEMO

Continuing to use ink that has exceeded its shelf life may lead to the following problems and malfunction. We recommend setting this item to "ENABLE."

- Ink leaks from the ink cartridge.
- The ink viscosity increases, leading to ink discharge issues (which may result in decreased print quality).
- The ink hardens, leading to printer malfunctions.

## Checking the Ink Shelf Life

You can use the display to check the shelf lives of the inks in slots 1 to 6.

### Procedure

1. Press [MENU].
2. Press [▼] several times to display the screen shown below.

```
MENU ◀◆
INK SHELF LIFE ▶
```

3. Press [▶], then [▼] to display the screen shown below.

```
INK SHELF LIFE ◀◆
SLOT1 ▶
```

4. Press [▶] to display the screen shown below.

You can check the shelf lives of the inks.

```
SLOT1 ◀
  2019/11/30
```

5. Press [▶].
6. Press [▲] or [▼] to display a different slot.
7. Press [MENU], then [◀] to go back to the original screen.

### MEMO

The shelf life items (the expiration year, month, and day) are blank when:

- No ink cartridge has been inserted.
- The ink cartridge's IC chip is broken or has been lost.
- A system error is occurring on the printer.

### RELATED LINKS

- P. 96 "Notifying the User of Ink Exceeding Its Shelf Life"

---

## Setting the Activation Interval for Sleep Mode (Power-saving Feature)

This setting is used to set how long it should take until the machine goes into sleep mode (the state in which the power-saving feature is working) when no print data is received and no operations are performed for a continued length of time.

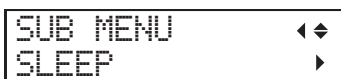
### Procedure

1. Press [MENU].
2. Press [▼] to display the screen shown below.



MENU ◀◆  
SUB MENU ▶

3. Press [▶].
4. Press [▼] several times to display the screen shown below.



SUB MENU ◀◆  
SLEEP ▶

5. Press [▶] twice to display the screen shown below.



INTERVAL ◀◆  
15min ▶ 15min ↵

6. Press [▲] or [▼] to select the time.  
You can set the value in units of 15 minutes from 15 minutes to 120 minutes.
7. Press [ENTER] to confirm your entry.
8. Press [MENU], then [◀] to go back to the original screen.

### MEMO

When "SLEEP SETTING" is set to "DISABLE", the machine does not switch to sleep mode, so this setting is ignored.

### RELATED LINKS

---

- P. 99 "Deactivating the Sleep Mode (Power-saving Feature)"
-

## Deactivating the Sleep Mode (Power-saving Feature)

This setting is used to set the machine so that it never goes into sleep mode (the state in which the power-saving feature is working) when no print data is received and no operations are performed for a continued length of time.

### Procedure

1. Press [MENU].
2. Press [▼] to display the screen shown below.

```
MENU      ◀◆
SUB MENU  ▶
```

3. Press [▶].
4. Press [▼] several times to display the screen shown below.

```
SUB MENU  ◀◆
SLEEP     ▶
```

5. Press [▶], then [▼] to display the screen shown below.

```
SLEEP     ◀◆
SETTING   ▶
```

6. Press [▶] to display the screen shown below.

```
SETTING   ◀◆
ENABLE ▶DISABLE┘
```

7. Press [▲] or [▼] to select an item.

EMPTY MODE	Explanation
"ENABLE"(Default settings)	The sleep mode is activated after a certain period of time.
"DISABLE"	The sleep mode is not activated.

8. Press [ENTER] to confirm your entry.
9. Press [MENU], then [◀] to go back to the original screen.

### RELATED LINKS

- P. 98 "Setting the Activation Interval for Sleep Mode (Power-saving Feature)"

# Managing the Basic Settings of the Printer

## Setting the Menu Language and Units of Measurement

This feature sets the language and units of measurement displayed on the display screen of the operation panel.

### Procedure

1. Hold down [MENU] and switch on the sub power.
2. Press [▲] or [▼] to select the display (menu) language.



MENU LANGUAGE ◆  
ENGLISH ↵

3. Press [ENTER] to confirm your entry.
4. Press [▲] or [▼] to select the measurement unit for length.



LENGTH UNIT ◆  
mm ▶ INCH ↵

5. Press [ENTER] to confirm your entry.
6. Press [▲] or [▼] to select the measurement unit for temperature.



TEMP. UNIT ◆  
°C °F ↵

7. Press [ENTER] to confirm your entry.

### MEMO

- Default settings
  - [MENU LANGUAGE]: ENGLISH
  - [LENGTH UNIT]: mm
  - [TEMP. UNIT]: °C

## Viewing System Information

This is a method for viewing system information of this machine, such as serial number and ink type.

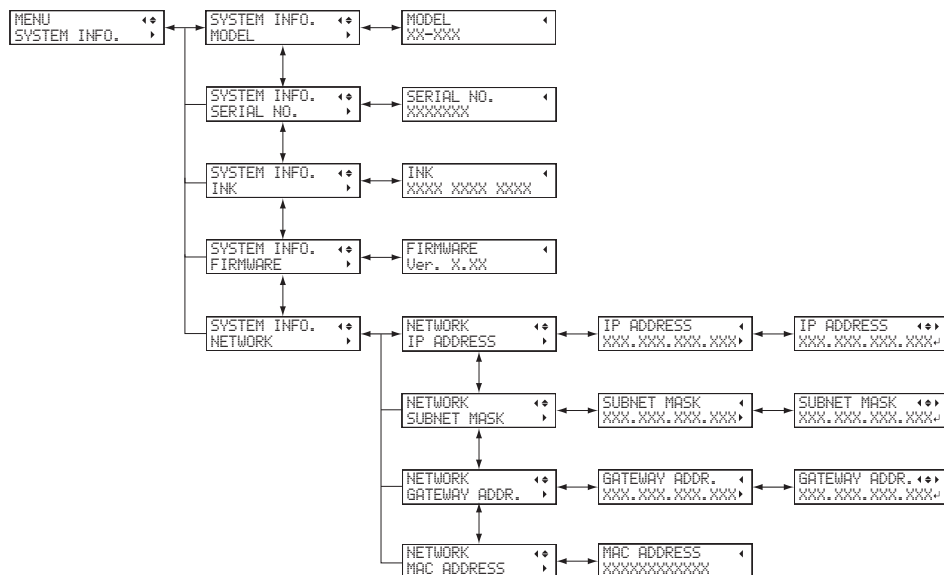
### Procedure

1. Press [MENU].
2. Press [▼] several times to display the screen shown below.



You can view the following information.

- [MODEL]: Model name
- [SERIAL NO.]: Serial number
- [INK]: Ink type
- [FIRMWARE]: Firmware version
- [NETWORK]: Network settings such as the IP address



### MEMO

For information on how to set up a network, see the "Setup Guide."

## Returning All Settings to Factory Defaults

This menu returns all settings to the same as their factory defaults. The settings for [MENU LANGUAGE], [LENGTH UNIT], and [TEMP. UNIT] are not returned to their factory default values.

### Procedure

1. Press [MENU].
2. Press [▼] several times to display the screen shown below.

```
MENU      ◀◆
SUB MENU  ▶
```

3. Press [▶] once, and then press [▼] several times to display the screen shown below.

```
SUB MENU  ◀◆
FACTORY DEFAULT ↵
```

4. Press [ENTER].

# **Chapter 4 Maintenance**



# 1. Introduction

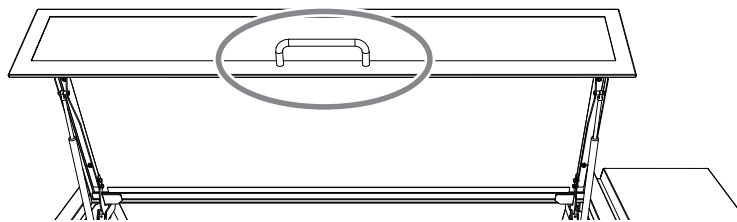
---

Important Notes on Handling and Use .....	105
Printer .....	105
Ink Cartridges.....	106
Basic Maintenance Knowledge .....	107
Types and Timing of Maintenance.....	107
Automatic Maintenance Feature and Notes.....	109
Alarm Feature .....	110
Measures When the Printer Is Not in Use for a Prolonged Period .....	111

# Important Notes on Handling and Use

## Printer

- This machine is a precision device.
  - Never subject the machine to impacts or excessive force.
  - Never needlessly put your hand or fingers inside the cover, the ink-cartridge ports, or other internal areas of the machine.
- Install in a suitable location.
  - Install the machine in a location having the specified temperature and humidity.
  - Install the machine in a quiet, stable location offering good operating conditions.
- Open and close the front cover gently.
  - Be sure to hold the handle of the front cover and keep holding it until the cover is completely opened or closed. If you do not open and close the front cover gently, it may break or you may be injured.



- The print heads and the UV emitter are delicate devices.
  - Never needlessly touch or allow the object to be printed on to scrape them. Failure to handle these items with care may cause damage.
  - The print heads may be damaged if allowed to dry out. The machine prevents desiccation automatically, but improper operation may render this feature inoperative. Operate the machine properly, as specified in this manual.
  - Never leave the machine with an ink cartridge removed. Remaining ink in the printer may harden and clog the print heads.
  - Daily maintenance as well as various types of maintenance depending on the status must be performed. Read this manual thoroughly and perform the appropriate maintenance at the appropriate times.
  - The print heads are components that wear out. Periodic replacement is required, with the frequency of replacement depending on use.

### Ink Cartridges

- Ink cartridges come in various types.
  - Use a type that is compatible with the printer. Also, be sure to use only genuine items from Roland DG Corporation.
- Never subject to impact or attempt to disassemble.
  - Never drop the ink cartridges or shake them forcefully. The impact may rupture the internal pouch and cause the ink to leak.
  - Never attempt to disassemble the ink pouches.
  - Never attempt to refill the ink.
  - If ink gets on your hands or clothing, wash it off as soon as possible. Removal may become difficult if you leave such adhered ink untreated.
- Storage
  - Use up the ink before the expiration date printed on the ink cartridge.
  - Store the ink cartridges in a location that is not subject to direct sunlight or strong illumination.
  - Store the ink cartridges unopened in a well-ventilated location at a temperature of 5°C (41°F) or higher and less than 35°C (95°F) and a relative humidity of 20 to 80%RH.

# Basic Maintenance Knowledge

## Types and Timing of Maintenance

To use this machine under its optimal conditions, it is important to perform the appropriate maintenance at the appropriate times.

### Regular Maintenance

These are the maintenance items that are required on a daily basis.

Timing	Category	Item
Before daily operations	Maintenance of Ink Cartridges	➤ P. 123 「Maintenance of Ink Cartridges」
		➤ P. 124 「Printing Tests and Normal Cleaning」
During and after daily operations	Cleaning of the print heads	➤ P. 133 「Head Refreshing Method」
	Cleaning the Machine	➤ P. 113 「Cleaning the Machine」
	Replacing Ink Cartridges	➤ P. 115 「Replacing Ink Cartridges」
When the discharged fluid is ready to overflow	Disposing of Discharged Fluid	➤ P. 118 「If the Discharged Fluid Disposal Message Appears」
		➤ P. 120 「If the Drain Bottle Exceeds Its Capacity Limit」
		➤ P. 122 「If the Contents of the Drain Bottle Are Not Visible」
When dot drop-out or dot displacement occurs.	Cleaning of the print heads	➤ P. 133 「Head Refreshing Method」
		➤ P. 124 「Printing Tests and Normal Cleaning」
		➤ P. 138 「Medium Cleaning Method」
		➤ P. 140 「Powerful Cleaning Method」
		➤ P. 145 「Manual Cleaning Method」
Once a month	Cleaning of the print heads	➤ P. 145 「Manual Cleaning Method」

### Advanced Maintenance

These maintenance methods consume a large amount of ink. Thoroughly read the explanation, and then perform the operation at the appropriate point in time.

Timing	Category	Item
When the white ink concentration drops	Eliminating drops in ink concentration	➤ P. 151 「Circulating the Ink to Clear Precipitation」
When manual cleaning is not effective	Eliminating uneven colors, dot drop-out, and dot displacement	➤ P. 153 「Handling Severe Dot Drop-out with Spot Color Ink」
		➤ P. 157 「Cleaning All Print Heads」

### Replacing Consumable Parts

These items are for replacement of consumable parts. Thoroughly read the explanation, and then perform the operation at the appropriate point in time.

Timing	Part name	Item
When a replacement message appears	Wipers and wiper cleaner	➤ P. 169 「Replacing the Wipers and Wiper Cleaner」
Half a year after the start of use	Filter	➤ P. 173 「Replacing the Filter」
When the head refresher cleaning pad becomes twisted or falls out	Cleaning pad unit	➤ P. 175 「Replacing the Cleaning Pad Unit」

**RELATED LINKS**

---

- P. 176 "Inquiries for Consumable Parts and Products"
-

## Automatic Maintenance Feature and Notes

This machine has a feature that automatically performs maintenance periodically.

This function performs operations for preventing the print heads from drying out, so:

- **Always keep the main power switched on.**
- **Do not leave the front cover open for a long time.**
- **Return to the top menu after specifying settings in the menus.**

## Alarm Feature

This function reminds you to switch on the sub power once a month.

When the machine remains unused for about a month, this screen appears and a warning buzzer sounds. If this screen appears, switch on the sub power. When maintenance operations finish, switch off the sub power.

This feature operates when the printer's main power is turned on. Leave the main power switched on at all times even when the printer is to remain out of use for a prolonged period.



PRESS THE POWER  
KEY TO CLEAN

## Measures When the Printer Is Not in Use for a Prolonged Period

Be sure to follow the instructions shown below when the printer is not in use for a prolonged period.

- **Empty the drain bottle.**

If you know that you will not use the machine for a prolonged period, empty the drain bottle. When the main power is on, the machine periodically performs automatic maintenance in which fluid is discharged.

The drain bottle is filled when the following periods elapse. Leaving the drain bottle as-is will lead to the discharged fluid overflowing.

- Approximately 2 weeks after the message "EMPTY DRAIN BOTTLE" is displayed

➤ P. 118 「If the Discharged Fluid Disposal Message Appears」

- Approximately 80 days after the drain bottle is emptied

➤ P. 120 「If the Drain Bottle Exceeds Its Capacity Limit」

- **Switch the sub power on once every two weeks.**

Switch the sub power on once every two weeks. When you turn on the power, the machine automatically performs operations such as those to keep the print heads from drying out. Leaving the machine unused for a prolonged period may damage the print heads, so be sure to switch on the power to perform these automatic operations.

Refresh the heads if a message prompting you to do so is displayed when you switch on the sub power.

➤ P. 133 「Head Refreshing Method」

- **Keep the machine at a constant temperature and relative humidity.**

Even when the machine is not in use, keep it at a temperature of 5 to 40°C (41 to 104°F) and a relative humidity of 20 to 80% (with no condensation). Failure to do so may result in malfunction.



# 2. Regular Maintenance

---

Cleaning the Machine .....	113
Cleaning the Machine on a Daily Basis .....	113
Replacing Ink Cartridges.....	115
Checking for Remaining Ink .....	115
How to Replace the Ink Cartridge .....	116
Disposing of Discharged Fluid .....	117
Precautions for Disposing of Discharged Fluid.....	117
If the Discharged Fluid Disposal Message Appears.....	118
If the Drain Bottle Exceeds Its Capacity Limit .....	120
If the Contents of the Drain Bottle Are Not Visible.....	122
Maintenance That Must Be Performed Daily.....	123
Maintenance of Ink Cartridges .....	123
Printing Tests and Normal Cleaning .....	124
Head Refreshing Method.....	133
When Normal Cleaning Is Not Effective .....	138
Medium Cleaning Method.....	138
Powerful Cleaning Method .....	140
Manual Cleaning .....	144
When Manual Cleaning Is Necessary.....	144
Manual Cleaning Method .....	145

# Cleaning the Machine

## Cleaning the Machine on a Daily Basis

As part of daily cleaning, wipe away any buildup of ink or grime that has adhered to the machine. In particular, the flat table is likely to have a buildup of grime. Clean by wiping with a cloth moistened by neutral detergent diluted with water then wrung dry.

**⚠ WARNING** Never use a solvent such as gasoline, alcohol, or thinner to perform cleaning. Doing so may cause fire.

### IMPORTANT

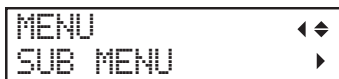
- This machine is a precision device and is sensitive to dust and dirt. Perform cleaning on a daily basis.
- Never attempt to oil or lubricate the machine.
- Before performing this operation, remove any objects to be printed on.
- To prevent the print heads from drying out, try to finish this procedure in 10 minutes or less. A warning beep sounds after 10 minutes.
- If the warning beep is heard, stop work, close all the covers, and then press [ENTER] to end the manual cleaning mode. After that, restart from the beginning.

### Procedure

**1. Remove the object to be printed on.**

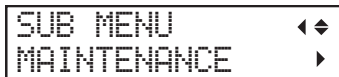
**2. Move the print-head carriage.**

- (1) Press [MENU].
- (2) Press [▼] to display the screen shown below.



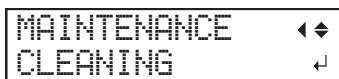
MENU ◀◆  
SUB MENU ▶

- (3) Press [▶] once, and then press [▼] several times to display the screen shown below.



SUB MENU ◀◆  
MAINTENANCE ▶

- (4) Press [▶] to display the screen shown below.



MAINTENANCE ◀◆  
CLEANING ↵

- (5) Press [MENU].

After "NOW PROCESSING.." is displayed and the print heads move, the screen shown below appears.



OPEN FRONT  
COVER

### MEMO

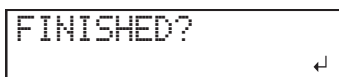
Refresh the heads if the following message is displayed.



DO HEAD REFRESH ↵

- (6) Open the front cover.

The screen shown below appears.

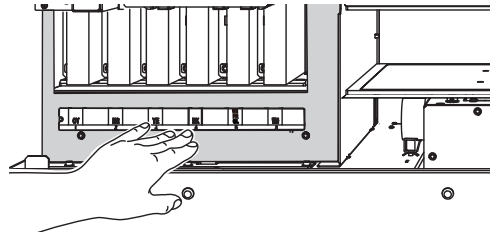


FINISHED? ↵

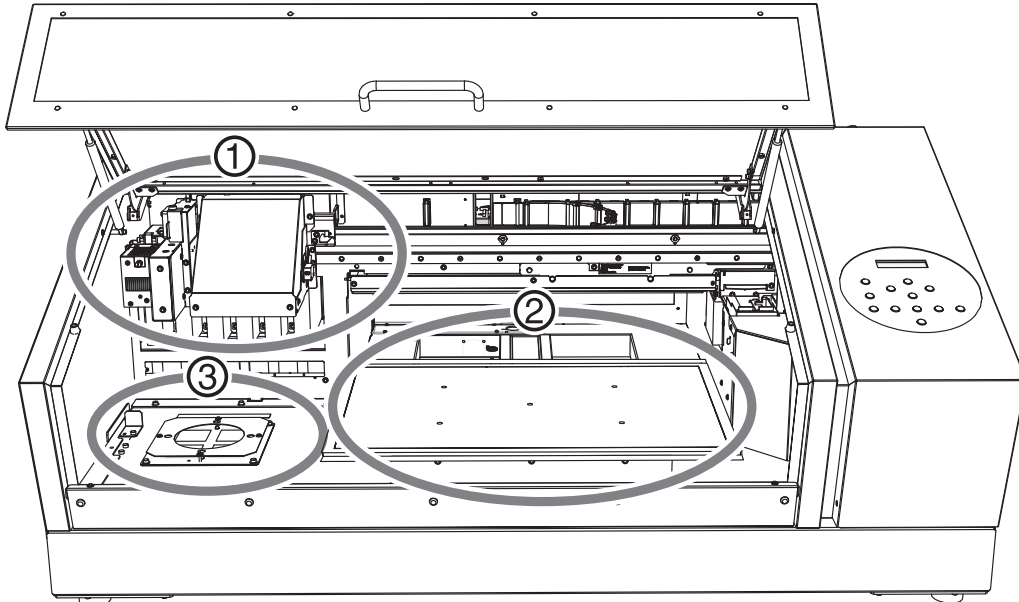
### IMPORTANT

Do not press the [ENTER] key at this stage. Press the [ENTER] after cleaning is complete. If you press the [ENTER] key at this stage, wait for the screen to change as shown in the following figure, and then press the [ENTER] key again.

- (7) Touch the location shown in the figure (the area below the ink cartridge slots) to discharge any static electricity.



**3.** Clean the locations shown in the following figure.



①	UV-LED device, carriage fan, and the surface of the print head carriage	Frequently clean the inside of the machine using a vacuum cleaner or by wiping with a cloth moistened with water then wrung dry. If dust and dirt accumulate in the machine, they are likely to affix to printed materials.
②	Vicinity of the flat table or the object to be printed on	
③	Vicinity of the inlet of the ventilating equipment	

**4.** When you have finished cleaning, close the front cover.

**5.** Press [ENTER].

# Replacing Ink Cartridges

## Checking for Remaining Ink

Printing is paused immediately when an ink cartridge becomes empty (with the default settings). Uneven colors may occur easily if the machine is paused. We recommend that you periodically check the remaining ink.

### Procedure

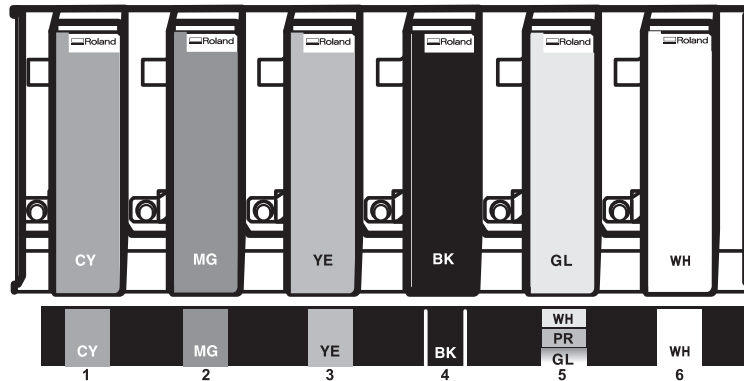
1. Press [MENU].
2. Press [▲] several times to display the screen shown below.



3. Press [▶].

The amount of ink remaining is displayed.

■ indicates the amount of ink remaining. When there are more ■, the amount of ink remaining is larger. The display shows approximately how much ink remains. It may differ somewhat from the actual amount remaining.



4. Press [MENU], then [◀] to go back to the original screen.

### MEMO

If the following message is displayed, ink cartridges must be replaced.

<pre> 1  2■■ 3■■ 4■■ 5■■ 6■■         </pre>	<p>The numbers of the cartridges that are out of ink flash.</p>
<pre> INK SHELF LIFE EXPIRE 123456 ↵         </pre>	<p>The numbers of the cartridges whose ink has exceeded its shelf life flash.</p>

### RELATED LINKS

- P. 116 "How to Replace the Ink Cartridge"
- P. 190 "1 ■ 2 ■ 3 ■ 4 ■ 5 ■ 6 ■ 7 ■ 8 ■"
- P. 194 "INK SHELF LIFE EXPIRE 123456"

## How to Replace the Ink Cartridge

### ⚠ WARNING

Never store ink, cleaning liquid, or discharged fluid in any of the following locations.

- Any location exposed to open flame
- Any location where high temperature may occur
- Near bleach or any other such oxidizing agent or explosive material
- Any location within the reach of children

Such locations present the risk of fire occurring. Accidental ingestion by children may pose a health hazard.

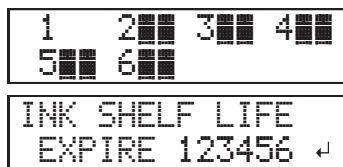
### IMPORTANT

- Be sure to replace each pouch with an item of identical type and color.
- Never use an ink pouch that has already been used in another machine even if it is an identical type.
- Never mix different types of items.
- Never leave the machine with an ink cartridge removed. The print heads may become clogged.
- Never insert or remove ink cartridges with undue force. Ink may leak.
- Never remove an ink cartridge suddenly while the printer is in operation.

### Procedure

#### 1. Check the number flashing on the screen.

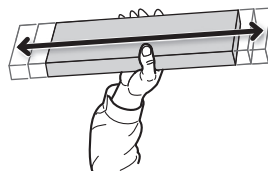
The ink in the cartridges whose slot numbers are flashing has run out or has exceeded its shelf life.



#### 2. Open the front cover.

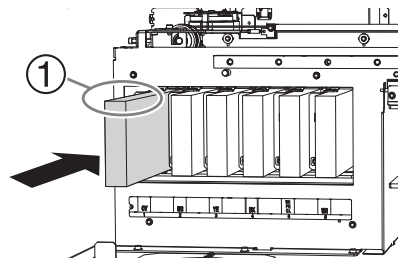
#### 3. Shake a new ink cartridge of the same type and color 50 times (about 20 seconds).

The precipitation of the ingredients in the ink disables printing in normal color. So that the ink mixes well, shake the ink cartridge horizontally with a stroke length of around 5 cm (2 in.) from each end of the ink cartridge.



#### 4. Pull out the empty ink cartridge and immediately insert the new one.

- Insert the cartridge so that the side with the arrow (①) faces up.
- Insert and remove cartridges slowly, one at a time.



#### 5. Close the front cover.

# Disposing of Discharged Fluid

## Precautions for Disposing of Discharged Fluid

 WARNING

**Never place discharged fluid or ink near an open flame.**

Doing so may cause fire.

 CAUTION

**Before you detach the drain bottle, be sure to wait for the screen to display "EMPTY DRAIN BOTTLE."**

Failing to follow this procedure may cause discharged fluid to flow out of the tube and spill, soiling your hands or the floor.

 CAUTION

**To store discharged fluid temporarily, place it in the included drain bottle or in a durable sealed container such as a metal can or polyethylene tank, and cap the container tightly.**

Any spillage or vapor leakage may cause fire, odor, or physical distress.

**IMPORTANT**

**Do not store discharged liquids in a location where they are exposed to direct sunlight.**

When temporarily storing discharged fluid in the included drain bottle, do not store in a location that is exposed to direct sunlight. The discharged fluid may harden, making the drain bottle unusable.

**Dispose of discharged fluid properly, in accordance with the laws in effect in your locale.**

Discharged fluid is flammable and contains toxic ingredients. Never attempt to incinerate discharged fluid or discard it with ordinary trash. Also, do not dispose of it in sewer systems, rivers, or streams. Doing so may have an adverse impact on the environment.

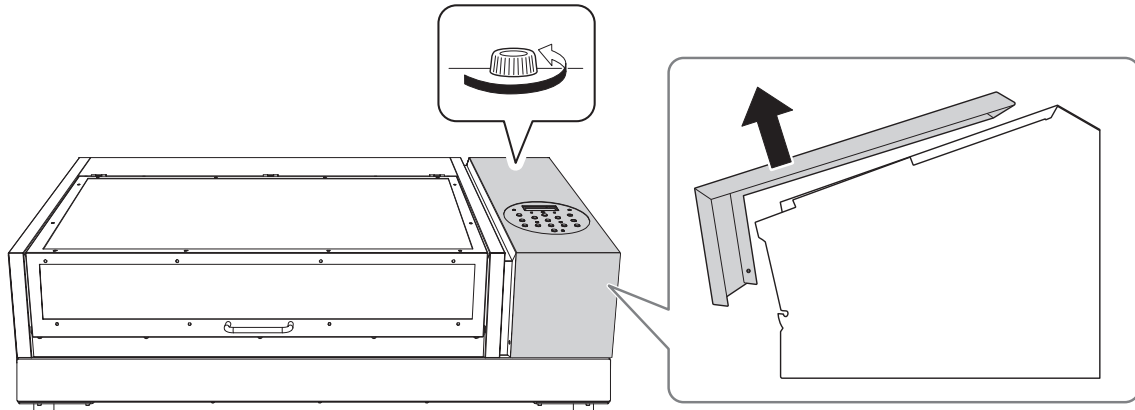
### If the Discharged Fluid Disposal Message Appears

The message appears when a certain amount of discharged fluid has collected in the bottle. If this message appears, dispose of the discharged fluid.

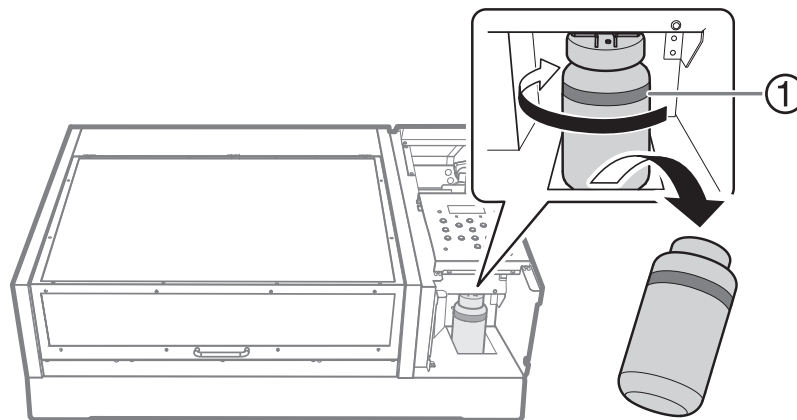
EMPTY  
DRAIN BOTTLE ↵

#### Procedure

1. When the following message appears, press [ENTER].
2. Open the panel cover.



3. Remove the drain bottle and discard the discharged fluid.

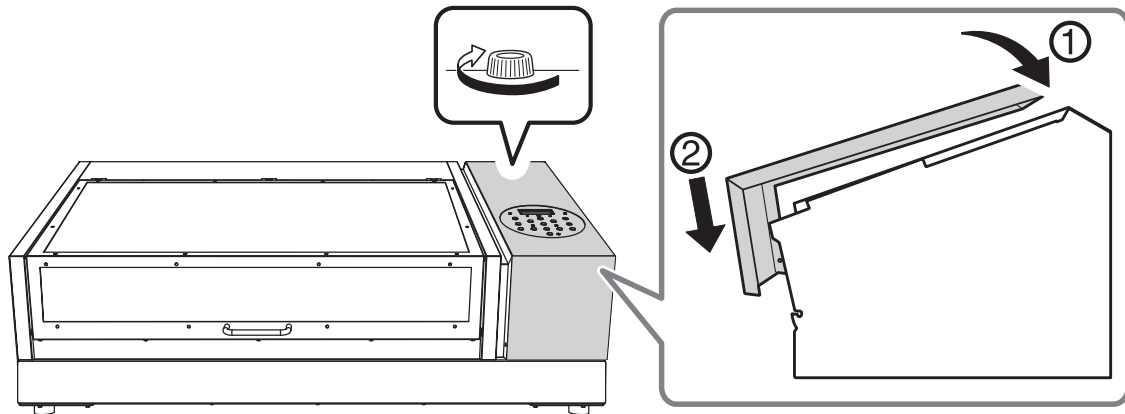


①: Upper limit. Discard the discharged fluid before this line is passed.

#### IMPORTANT

When you remove the drain bottle, a few drops of discharged fluid may come out of the machine. Exercise caution to prevent this fluid from soiling your hands.

4. Quickly attach the emptied drain bottle to the machine once more.
5. Close the panel cover.



6. Press [◀] or [▶] to select "YES".



7. Press [ENTER].

The display returns to the original screen.

**MEMO**

**If you did not discard the discharged fluid and selected "NO"**

The display also returns to the original screen if you did not discard the discharged fluid and selected "NO" In this case the [EMPTY DRAIN BOTTLE] message disappears temporarily. The message appears again once a certain amount of discharged fluid has collected.

**⚠ CAUTION**

**When the [EMPTY DRAIN BOTTLE] message appears on the screen, discard discharged fluid as soon as possible.**

Repeatedly selecting "NO" without discarding the discharged fluid may cause it to spill out of the drain bottle, soiling your hands or the floor.



## If the Drain Bottle Exceeds Its Capacity Limit

The drain bottle collects discharged fluid. You can dispose of discharged fluid even if the message "EMPTY DRAIN BOTTLE" is not displayed on the screen. Discard the discharged fluid before it exceeds the capacity limit of the bottle.

### Procedure

1. Press [MENU].
2. Press [▼] several times to display the screen shown below.



3. Press [▶] once, and then press [▼] several times to display the screen shown below.

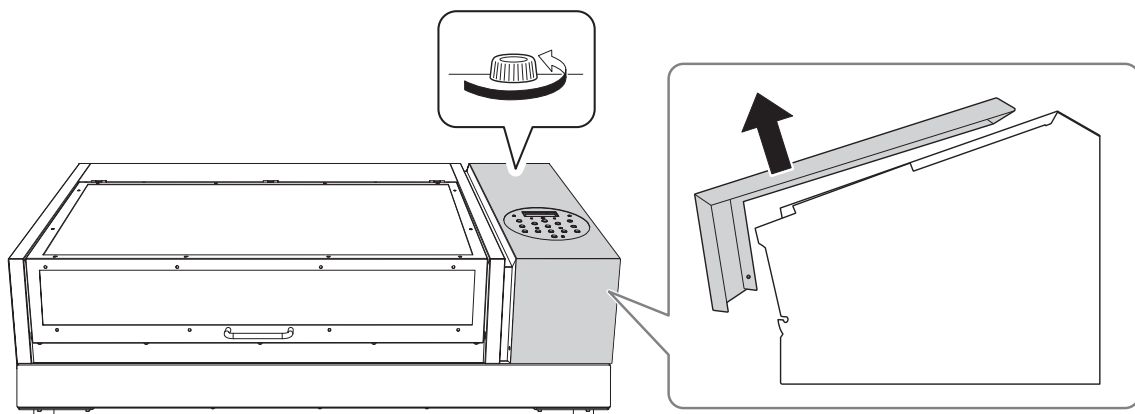


4. Press [▶] once, and then press [▼] several times to display the screen shown below.

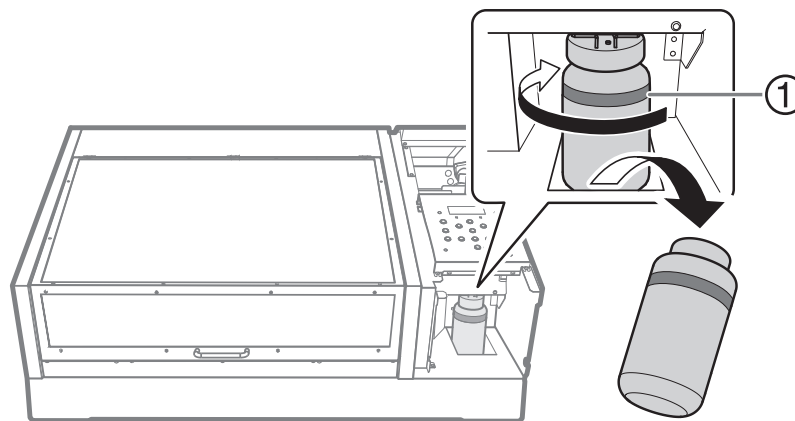


5. Press [ENTER].

6. When the following screen is displayed, open the panel cover.



7. Remove the drain bottle and discard the discharged fluid.



①: Upper limit. Discard the discharged fluid before this line is passed.

**IMPORTANT**

When you remove the drain bottle, a few drops of discharged fluid may come out of the machine. Exercise caution to prevent this fluid from soiling your hands.

**8.** Quickly attach the emptied drain bottle to the machine once more.

**9.** Press [ENTER].

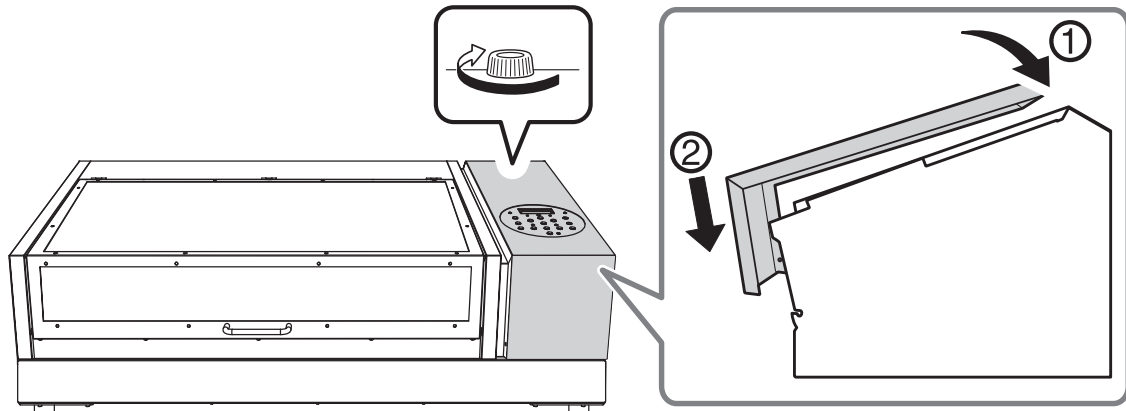
EMPTY  
DRAIN BOTTLE ↵

**10.** Press [ENTER].

RESET DRAIN  
COUNTER ↵

**11.** When the following screen is displayed, close the panel cover.

CLOSE PANEL  
COVER



**12.** Press [MENU], then [◀] to go back to the original screen.

### If the Contents of the Drain Bottle Are Not Visible

Sometimes, ink affixes to the inside of the drain bottle, which makes it difficult to check the amount of discharged fluid. In this situation, clean the inside of the drain bottle by using one of the following procedures.

#### Procedure

- 1. Remove the drain bottle, which you will clean, from the machine.**
- 2. Attach another drain bottle (included) to the machine.**
- 3. Scrape the inside of the drain bottle clean using one of the included cleaning sticks.**

Dispose of used cleaning sticks. They cannot be used for any other cleaning.  
If this method is not effective, proceed to the next step.
- 4. Dispose of the discharged fluid, leaving about 2 to 3 cm (0.8 to 1.2 inches) of it in the bottom of the bottle.**
- 5. Securely cap the drain bottle.**
- 6. Gently shake the drain bottle to wet the inside of the bottle with the discharged fluid.**

Tilt the drain bottle to make the entirety of the inside of the bottle wet.
- 7. Stand the bottle upright and leave it for 1 to 2 hours.**

If inside of the bottle is not cleaned sufficiently of ink stains, repeat steps 4 and 5.
- 8. Discard the remaining discharged fluid.**

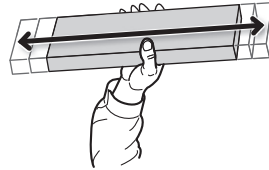
# Maintenance That Must Be Performed Daily

## Maintenance of Ink Cartridges

The precipitation of the ingredients in the ink disables printing in normal color. So that the ink mixes well, shake the ink cartridge horizontally with a stroke length of around 5 cm (2 in.) from each end of the ink cartridge.

- Remove the white ink cartridge, shake it 50 times (about 20 seconds), and then reinsert this cartridge.
- The ink cartridges for colors other than white do not need to be shaken before every operation, but be sure to shake them when installing new ones.

The ingredients in white ink tend to settle. Each day, before starting the day's operations, be sure to shake this cartridge. Allowing the ink to stand without carrying out these steps can cause the settled material to harden, resulting in malfunction or other problems.



### IMPORTANT

- Before shaking the ink cartridge, wipe off any ink from around its mouth. If you do not wipe off the ink, it may splatter when you shake the ink cartridge.
- When you have finished mixing the ink, reattach the ink cartridge immediately. Taking time to reattach the ink cartridge will adversely affect the ink path.
- Even if you are not using the printer, shake the white ink cartridge 50 times (about 20 seconds) once a week.

## Printing Tests and Normal Cleaning

Perform a printing test to ensure no dot drop-out or dot displacement occurs. If dot drop-out or dot displacement occurs, clean the print heads (normal cleaning).

- Be sure to perform a printing test before daily operations to check whether normal cleaning is necessary.
- If dot drop-out or dot displacement is present after refreshing the heads and performing a printing test, perform normal cleaning.


### 1. Set the machine so that the print area is set each time the media is set up.


Prevent printing in the incorrect position by specifying the print area each time before setting up the object to be printed on.

#### MEMO

To print in the same position repeatedly, specify "DISABLE" for this setting.

#### Procedure

1. Press [MENU].
2. Press [▼] to display the screen shown below.  


```
MENU      ◀▶
SUB MENU  ▶
```
3. Press [▶] twice to display the screen shown below.  


```
SET AT SETUP  ◀▶
DISABLE▶DISABLE┘
```
4. Press [▲] or [▼] to select "ENABLE".
5. Press [ENTER] to confirm your entry.

## 2. Set the lower-right corner of the object to be printed on to the base printing position.

Set the base printing position (home position) at the front right of the print area. This method is appropriate when the print site is level, and you can clearly specify the print area.

Print area setup can be performed with the front cover open. However, if the front cover is left open for approximately 40 seconds, the print heads automatically return to the home position. The menu returns to the previous one. Repeat the procedure.

### Procedure

1. Press [◀].
2. Press [▼] twice, and then press [▶] once to display the screen shown below.

```
SET BASE POS. ◀◆
LOWER R▶CENTER Ⓜ
```

3. Press [▲] or [▼] to select "LOWER R".
4. Press [ENTER] to confirm your entry.
5. Press [MENU], then [◀] to go back to the original screen.

### 3. Attach the object to be printed on for the printing test.

Attach the object to be printed on for the printing test. Use paper for testing (width 90 mm (3.54 in.) × length 70 mm (2.76 in.) or more), not the object that will actually be printed on.

**Procedure**

1. Check that the following screen is displayed.



If this screen is not displayed, check that nothing has been placed on top of the flat table, and then hold down [SETUP] for 1 second or more.

The flat table will come forward into a position in which the object to be printed on can be set up.

2. Open the front cover.

**IMPORTANT**

Be sure to hold the handle of the front cover and open and close it gently.

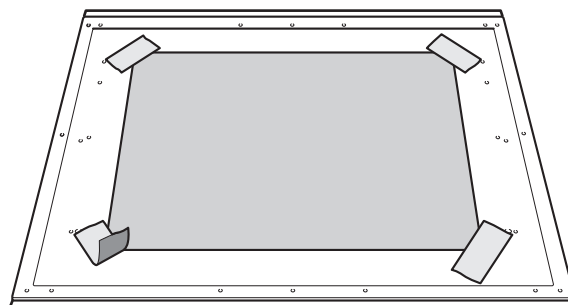
3. Secure the paper for the printing test.

Printing tests are used to check that no dot drop-out occurs. Use paper for testing (width 90 mm (3.54 in.) × length 70 mm (2.76 in.) or more), not the object that will actually be printed on.

**MEMO**

There are two types of printing tests. Select the paper to be used based on the features of the given type.

Type	Features				
<table border="1"> <tr> <td>CLEANING</td> <td>◀◆</td> </tr> <tr> <td>TEST PRINT</td> <td>↓</td> </tr> </table>	CLEANING	◀◆	TEST PRINT	↓	It is difficult to check the white ink if the paper for use in the printing test is white. We recommend printing on transparent paper.
CLEANING	◀◆				
TEST PRINT	↓				
<table border="1"> <tr> <td>CLEANING</td> <td>◀◆</td> </tr> <tr> <td>TEST PRINT2</td> <td>↓</td> </tr> </table>	CLEANING	◀◆	TEST PRINT2	↓	Because white ink is printed on a black undercoat, white ink can be easily checked even when printed on white paper. However, printing takes longer than "TEST PRINT."
CLEANING	◀◆				
TEST PRINT2	↓				



**MEMO**

**Affixing the media with tape**

Secure the media in place using a substance such as commercially available tape affixed directly to the flat table. This method can be used for thin paper and other such media that can be secured with tape only. It can be set anywhere as long as it does not protrude from the top of the flat table. Be aware that folds or kinks in the paper might hit the interior of the printer and cause damage.

4. Close the front cover.

## 4. The height of the object to be printed on is detected automatically.

The height of the object to be printed on is automatically detected, and the print heads are adjusted to the appropriate height for printing.

### Procedure

**1. Press [SETUP].**

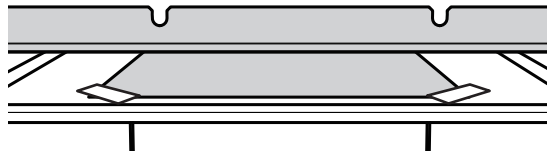
[SETUP] starts to flash.

**2. Open the front cover.**

**3. Press [▲], [▼], [UP] or [DOWN] to move the flat table, bringing the highest position of the print surface into contact with the head gap sensor.**

When the head gap sensor reacts, a buzzer goes off.

To fine-tune the height, open the front cover and make the adjustments from a close distance.



**4. Press [▶] to display the screen shown below.**



**5. Close the front cover.**

### IMPORTANT

The following step moves the flat table rearward. If the object to be printed on hits the head gap sensor forcefully, the object to be printed on may be damaged or the head gap sensor may malfunction.

To re-adjust the height of the object to be printed on, press [◀] and redo the procedure from step 2.

**6. Press [ENTER].**

The flat table moves and the height of the object to be printed on is detected. The flat table rises while moving backward and forward until the object to be printed on reaches a position where it comes in contact with the head gap sensor.

When the flat table stops moving and one short beep is heard, the setup is complete.

The height of the object to be printed on will be set automatically to a position about 1 mm (39.4 mil) away from the print head's ink emission surface.

### MEMO

You can change the distance between the ink emission surface of the print heads and the object to be printed on. For details, refer to Adjusting the Distance between the Object to Be Printed On and the Print Heads (P. 61).



## 5. Set the print area.

Set the print area for the printing test. For a printing test, set the print area with a "WIDTH" of 90 mm (3.5 in.) or more and a "LENGTH" of 70 mm (2.8 in.) or more. An error will occur and printing tests cannot be performed if the area is smaller than this.

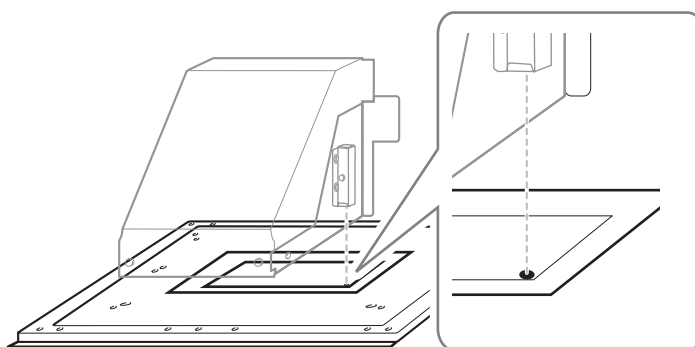
### Procedure

1. Press [▲], [▼], [▶] or [◀] when the following screen appears.

```
SCAN:  0.0mm
FEED:  0.0mm ↵
```

The flat table and the print heads move so that the pointer points at the previously set printing base position.

2. Press [▲], [▼], [▶] or [◀] to move the pointer until it points to a position in the right foreground of the print area.



3. Press [ENTER].

The print heads return to the home position and the following screen is displayed.

```
WIDTH: XXX.Xmm
LENGTH: XXX.Xmm ↵
```

### MEMO

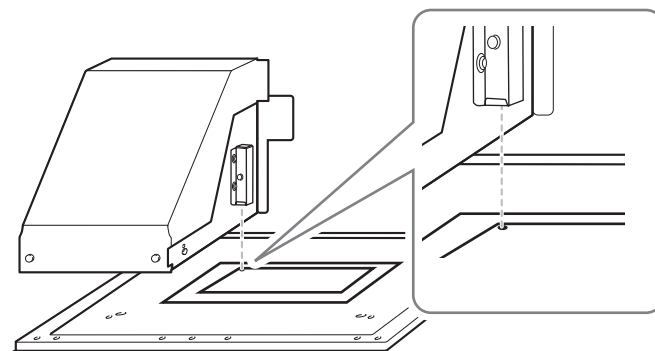
- The previously set values are displayed for "WIDTH" and "LENGTH."
- When the object to be printed on comes into contact with the head gap sensor, the setup is canceled and the screen shown below appears. Redo from 5. The height of the object to be printed on is detected automatically. (P. 38).

```
CHECK TABLE
HEIGHT ↵
```

When "CLEARANCE MODE" is set to "RE-ADJ." (Adjusting the Distance between the Object to Be Printed On and the Print Heads (P. 61)), the setup is not canceled and operation continues.

4. Press [▲], [▼], [▶] or [◀] to set the "WIDTH" to 90 mm (3.5 in.) or more and the "LENGTH" to 70 mm (2.8 in.) or more.

The pointer moves until it points to a position in the inner left of the print area.



**5.** Close the front cover when it is open.

**6.** Press [ENTER].

The print area is specified. Print heads return to the standby position.

**7.** Make sure the "W" (width), "L" (length), and "H" (height) values on the menu screen are as intended.

W: 90mm L: 70mm
H: 100.0mm

**MEMO**

- If you want to use the print area specified here for the next printing operation, switch "SET AT SETUP" (Omitting the Setting of the Print Area(P. 85)) to "DISABLE." With this setting, you can set up the object to be printed on without setting the print area and base position.
- Automatic return is not possible for a set base printing position (home position). In other words, the setting must be configured again if the base printing position (home position) differs, such as when selecting a new object to be printed on.

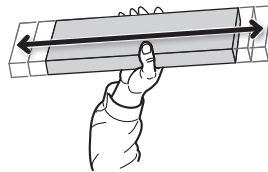
## 6. Perform a printing test.

Before you carry out actual printing, perform a printing test to ensure no dot drop-out or dot displacement occurs.

### Procedure

1. Before the start of daily operations, remove just the white ink cartridge, shake it 50 times (about 20 seconds), and then reinsert it.

So that the ink mixes well, shake the ink cartridge horizontally with a stroke length of around 5 cm (2 in.) from each end of the ink cartridge.



### IMPORTANT

The ingredients in white ink tend to settle. The precipitation of the ingredients in the ink disables printing in normal color. Allowing the ink to stand without carrying out these steps can cause the settled material to harden, resulting in malfunction or other problems.

2. Press [FUNCTION].

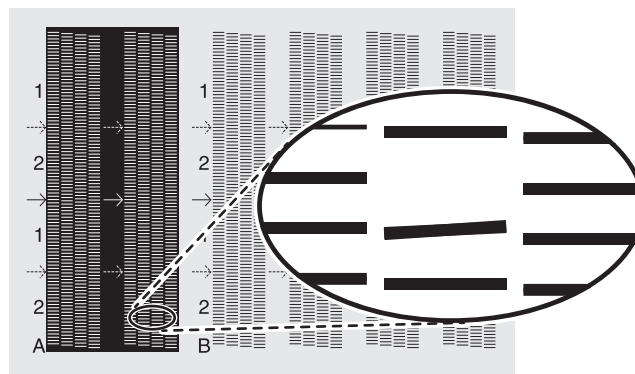
3. Press [ENTER].

Printing of the test pattern starts.

4. Check whether there is dot drop-out or dot displacement in the test pattern.

Missing blocks indicate dot drop-out. Collapsed or inclined blocks indicate dot displacement.

The following figure shows the "TEST PRINT 2" test pattern.



5. If you have opened the front cover, close it.

If no dot drop-out or dot displacement occurs, this operation is finished. Press [FUNCTION] to go back to the original screen.

### MEMO

When performing printing tests successively, you can select ""FEED"" (vertical printing) or ""SCAN"" (horizontal printing) as the print position for the second and later tests in comparison to the first test.

## 7. Performing Normal Cleaning

If, after viewing the results of the printing test, dot drop-out or dot displacement is still present, perform normal cleaning.

### Procedure

1. Press [▼] several times to display the screen shown below.

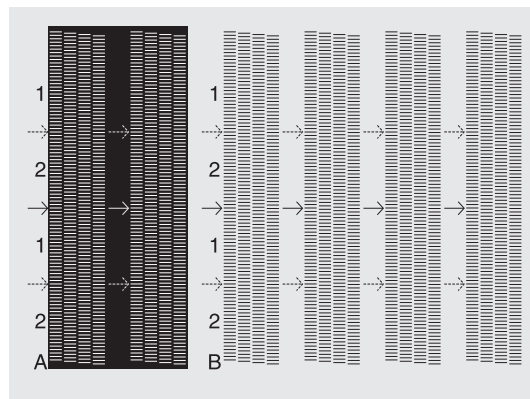
```
CLEANING      ◀▶
NORMAL CL.    ▶
```

2. Check for the group with dot drop-out or dot displacement by viewing the results of the printing test.

Missing blocks indicate dot drop-out. Collapsed or inclined blocks indicate dot displacement.

The space from "A" to "B" is group A. The space from "B" to the right side is group B.

The following figure shows the "TEST PRINT 2" test pattern.



### MEMO

If the printing-test results are difficult to interpret

Examine the results from different angles in a well-lit location. It is visible using the reflection of the light.

3. Press [▶].
4. Select the group of print heads to clean.
  - (1) Press [◀] or [▶] to select the group of print heads that is not to be cleaned.

```
J-70        ◀▶▶
  AB        ◀
```

- (2) Press [▲] or [▼] to get rid of the group display.

```
NORMAL CL.  ◀▶▶
  A_        ◀
```

- (3) Repeat steps 1 and 2 to display only the group of print heads that requires cleaning.

Only the displayed groups will be cleaned. If A and B are displayed, they will both be cleaned.

5. Press [ENTER].

The screen shown below appears, and then cleaning starts. The (approximate) remaining time for the procedure is displayed on the screen. (The display shown below is an example. "01:45" = "1 minute and 45 seconds")

```
CLEANING...
>>      01:45
```

When finished, the screen shown below appears again.



**6.** Press [◀].

**7.** Display the printing test menu.

TEST PRINT

Press [▲] several times to display the screen shown below.

It is difficult to check the white ink if the paper for use in the printing test is white. We recommend printing on transparent paper.



TEST PRINT2

Press [▲] several times to display the screen shown below.

Because white ink is printed on a black undercoat, white ink can be easily checked even when printed on white paper. However, printing takes longer than "TEST PRINT."



**8.** Press [ENTER].

Printing of the test pattern starts.

**9.** Check to make sure the dot drop-out or dot displacement has been corrected.

If the problem persists, try performing normal cleaning again. If the printer has been used for a long period, dot drop-outs may not be fixed even after performing normal cleaning two or three times. If this is the case, clean using a different method.

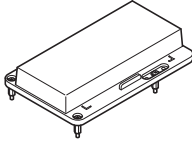

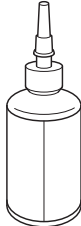
### IMPORTANT

UV ink will harden. It may adhere to the print head and solidify. If left alone, ink may clog the print heads and cause problems including printer malfunctions. Clean the head manually when printing frequently with the print head at a distance from the print surface. This is called manual cleaning. To prevent clogging of the print heads, you may have to perform manual cleaning each time you print in some cases.

## Head Refreshing Method

Head refreshing is an important operation that prevents clogging of the print heads.  
Refresh the heads:

- After daily operations.
- When the message "DO HEAD REFRESH" appears.
- When dot drop-out or dot displacement occurs.
- When an emergency stop occurs.
- When switching on the main power and sub power after the main power was previously switched off.

Required items		
		
Head refresher	Head cleaning sheet	Cleaning liquid for head refreshing

### IMPORTANT

Be sure to hold the handle of the front cover and open and close it gently.

### Procedure

1. If [SETUP] is lit, hold down [SETUP] for 1 second or more to cancel setup.  
[SETUP] turns off, and the flat table comes forward.

2. If the following message is displayed, press [ENTER].  
If this message is not displayed, start from step 5.

```
DO HEAD REFRESH
└─┘
```

3. Press [◀] or [▶] to select "YES".

```
DO REFRESH?  ◀▶
[YES]  NO    └─┘
```

### MEMO

Selecting "NO" returns the display to the top menu (or initiates automatic cleaning, depending on the printer status). However, the same message will be displayed once a certain amount of time has passed and in specific situations (such as before the start of manual cleaning and during wiper replacement). Head refreshing is an important operation that keeps the print heads in good condition. Perform this operation with as close to the appropriate timing as possible.

4. Press [ENTER].  
Proceed to step 8.
5. Press [FUNCTION].
6. Press [▶] to display the screen shown below.

```
CLEANING  ◀◆
HEAD REFRESH └─┘
```

7. Press [ENTER].
8. When the following screen is displayed, open the front cover.



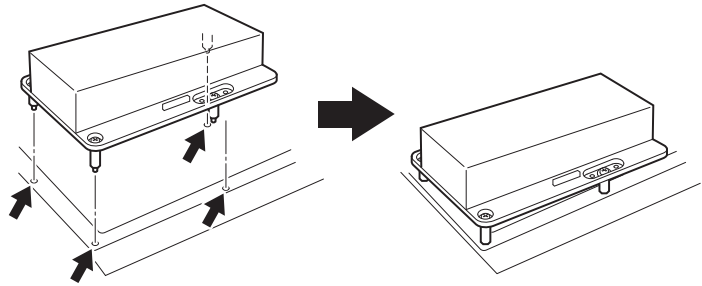
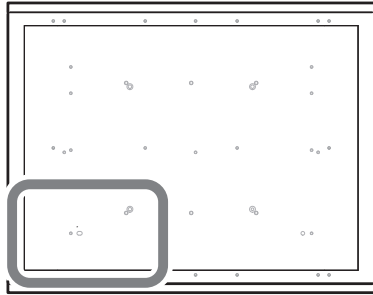
**9. Check that nothing has been placed on top of the flat table.**

Remove any objects to be printed on and jigs that are present.

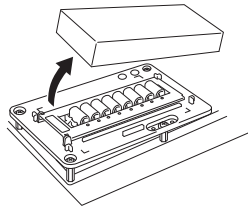
**10. Attach the head refresher to the flat table in the prescribed location.**

**IMPORTANT**

Be sure to attach the head refresher in this position. Attaching it in the incorrect position may lead to malfunctions caused by the head refresher hitting the print heads.



**11. Remove the head refresher cover.**



**IMPORTANT**

**Do not place the cover on the flat table.**

The cover being pinched between the head refresher and a part of the machine may lead to malfunctions. To avoid the risk of malfunctions, do not place the cover on the flat table.

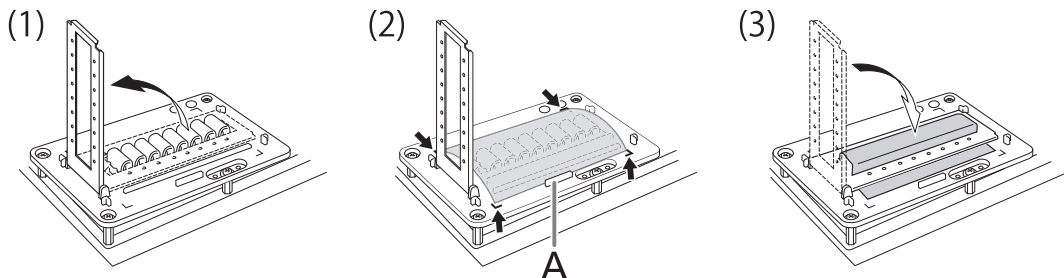
**12. Attach the head cleaning sheet to the head refresher.**

- (1) Open the sheet retaining cover.
- (2) Place the head cleaning sheet on the wiping part of the head refresher.

Place the sheet so that it is aligned with the front position aligning tab (A) and its corners are inside the L-shaped marks.

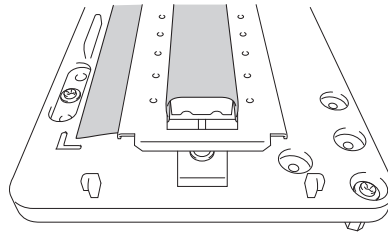
- (3) Close the sheet retaining cover to secure the head cleaning sheet in place.

Secure the sheet to prevent it from loosening.



**Point**

To use the head refreshing function to its full effect, make sure that the head cleaning sheet is firmly fixed in place, with no slack. Failing to secure the sheet sufficiently will not only prevent you from obtaining the full effect of head refreshing but may also lead to print head malfunctions.



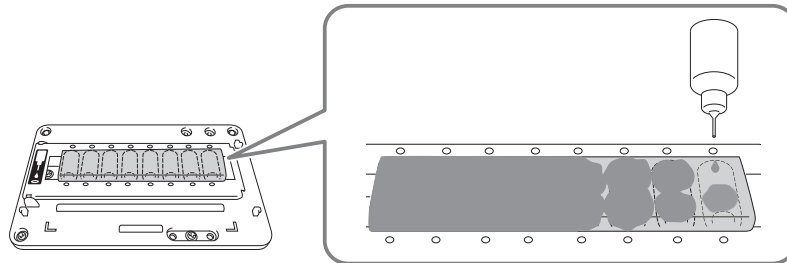
13. Press [ENTER].



14. When the following screen is displayed, apply head refreshing cleaning liquid to the head cleaning sheet.

**Point**

- As a guideline, apply 2 drops of cleaning liquid to a single cleaning pad. Apply 1 drop of cleaning liquid in each location, using the holes in the sheet retaining cover (8 holes in the front and 8 holes in the back for a total of 16 holes) as guidelines for the positions where to apply the liquid.
- Soak the cleaning liquid into the entirety of the head cleaning sheet covering the wiping part. Rubbing the print heads with a dry sheet may lead to malfunctions.



**IMPORTANT**

**Do not leave the bottle of cleaning liquid for head refreshing on the flat table.**

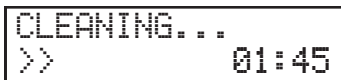
Leaving the cleaning liquid bottle on the flat table and proceeding to the next operation will lead to an error caused by the bottle hitting the head gap sensor.

15. Close the front cover.

16. Press [ENTER].



The screen shown below appears, and the head refresh starts. The (approximate) remaining time for the procedure is displayed on the screen. (The display shown below is an example. "01:45" = "1 minute and 45 seconds")



**MEMO**

If the possibility of the print heads hitting the head refresher (or some other obstacle) is detected, head refreshing is canceled and the following message is displayed.



Press [ENTER] to clear the message.

If the jig is in the way or has not been attached correctly, the head refresher position may be too high. Correctly reattach the head refresher by removing the jig or reviewing how the jig is attached. Then, perform head refreshing again.

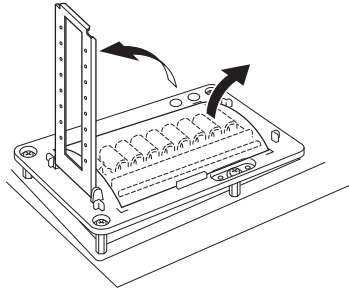
17. When the following screen is displayed, open the front cover.



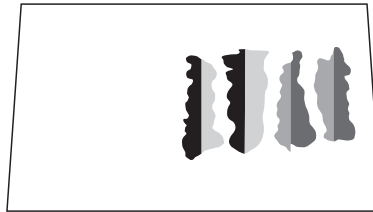


**18. Open the sheet retaining cover and remove the head cleaning sheet.**

Remove the sheet by pinching parts that are clean of ink and cleaning liquid. Use tweezers or gloves if getting cleaning liquid on your hands seems unavoidable.



**19. Check that there are traces of ink being wiped off onto the head cleaning sheet.**



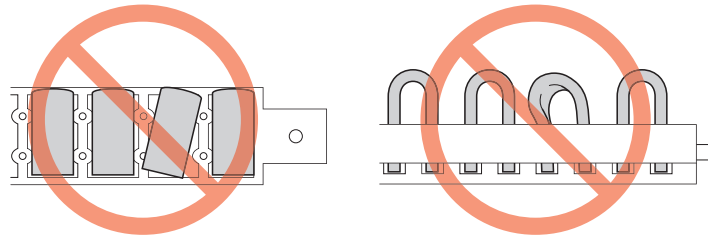
**IMPORTANT**

**Quickly dispose of used head cleaning sheets.**

Leaving a used head cleaning sheet inside the machine may lead to the machine's painting peeling off.

**Point**

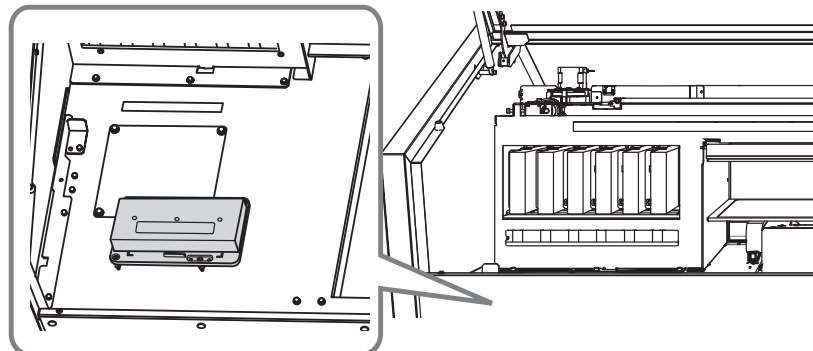
- If there are minor traces of ink being wiped off onto the sheet, head refreshing has failed. Check the following points, and then perform head refreshing again.
  - Has the head cleaning sheet been attached in the correct position?
  - Is the head cleaning sheet loose?
  - Has cleaning liquid soaked into the entirety of the head cleaning sheet?
  - Has too much cleaning liquid been applied? (The appropriate amount is two drops per cleaning pad.)
- Cleaning pads cannot be used if they are severely deformed (warped or tilted) or are coming free of the unit. Replace the cleaning pad unit. For information on replacement, contact your authorized Roland DG Corporation dealer.



**20. Remove the head refresher.**

**MEMO**

You can place the head refresher in the space on the left side of the machine.



**21.** Close the front cover.

**22.** Switch off the sub power.

**RELATED LINKS**

---

- P. 176 "Inquiries for Consumable Parts and Products"
-

# When Normal Cleaning Is Not Effective

## Medium Cleaning Method

The print heads are important components that discharge ink. They require periodic and appropriate maintenance. When problems such as dot drop-out are not resolved by normal cleaning, perform the more forceful "medium cleaning" to remove clogging from the print heads.

➤ P. 124 「Printing Tests and Normal Cleaning」

### IMPORTANT

Medium cleaning consumes more ink than normal cleaning, and overly frequent use may damage the print heads themselves. Avoid performing this operation more than necessary.

### Procedure

1. Press [FUNCTION].
2. Press [▶].
3. Press [▼] several times to display the screen shown below.

```
CLEANING      ◀◆▶
MEDIUM CL.   ▶
```

4. Press [▶] to display the screen shown below.

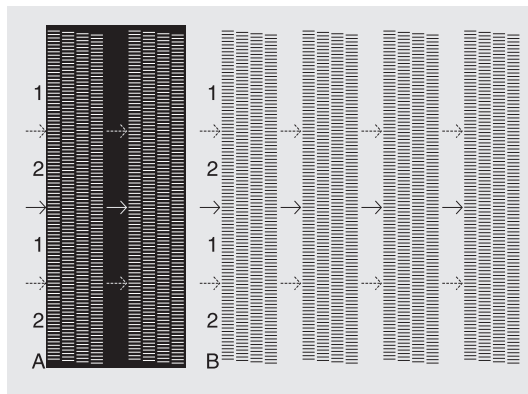
```
MEDIUM CL.   ◀◆▶
  AB          ◀
```

5. Check for the group with dot drop-out or dot displacement by viewing the results of the printing test.

Missing blocks indicate dot drop-out. Collapsed or inclined blocks indicate dot displacement.

The space from "A" to "B" is group A. The space from "B" to the right side is group B.

The following figure shows the "TEST PRINT 2" test pattern.



### MEMO

If the printing-test results are difficult to interpret

Examine the results from different angles in a well-lit location. It is visible using the reflection of the light.

6. Select the group of print heads to clean.
  - (1) Press [◀] or [▶] to select the group of print heads that is not to be cleaned.

```
MEDIUM CL.   ◀◆▶
  AB          ◀
```

- (2) Press [▲] or [▼] to get rid of the group display.

```
MEDIUM CL.   ◀◆▶
  A_          ◀
```

- (3) Repeat steps 1 and 2 to display only the group of print heads that requires cleaning.

Only the displayed groups will be cleaned. If A and B are displayed, they will both be cleaned.

**7. Press [ENTER].**

The screen shown below appears, and then cleaning starts. The (approximate) remaining time for the procedure is displayed on the screen. (The display shown below is an example. "01:45" = "1 minute and 45 seconds")



When finished, the screen shown below appears again.



**8. Press [◀].**

**9. Display the printing test menu.**

TEST PRINT

Press [▲] several times to display the screen shown below.

It is difficult to check the white ink if the paper for use in the printing test is white. We recommend printing on transparent paper.



TEST PRINT2

Press [▲] several times to display the screen shown below.

Because white ink is printed on a black undercoat, white ink can be easily checked even when printed on white paper. However, printing takes longer than "TEST PRINT."



**10. Press [ENTER].**

Perform a printing test again to check whether the dot drop-out and dot displacement have been corrected.

**Point**

- If the problem persists, perform normal cleaning or medium cleaning again.
- If problems such as dot drop-out and dot displacement persist even after you have performed normal cleaning or medium cleaning several times, perform "powerful cleaning."
- This cleaning can be effective when carried out periodically, according to the frequency of use.

**RELATED LINKS**

- P. 124 "Printing Tests and Normal Cleaning"
- P. 140 "Powerful Cleaning Method"

## Powerful Cleaning Method

The print heads are important components that discharge ink. They require periodic and appropriate maintenance. When problems such as dot drop-out are not resolved by medium cleaning, perform the more forceful "powerful cleaning" to remove clogging from the print heads.

➤ P. 138 「Medium Cleaning Method」

### IMPORTANT

Powerful cleaning consumes more ink than medium cleaning, and overly frequent use may damage the print heads themselves. Avoid performing this operation more than necessary.

## 1. Prepare for powerful cleaning.

After determining the group of print heads on which to perform powerful cleaning, dispose of the discharged fluid to enable the machine to start powerful cleaning.

### Procedure

1. Press [FUNCTION].
2. Press [▶].
3. Press [▼] several times to display the screen shown below.

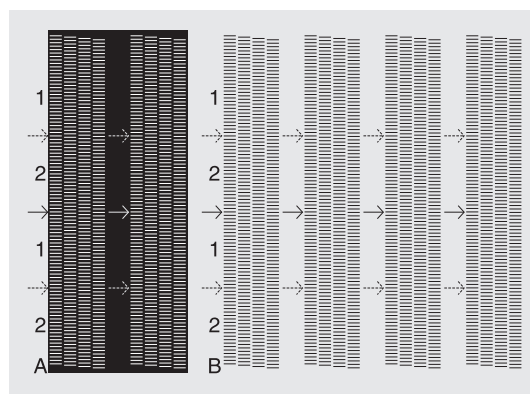
```
CLEANING      ◀◆
POWERFUL CL.  ▶
```

4. Press [▶] to display the screen shown below.
- 5.
6. Check for the group with dot drop-out or dot displacement by viewing the results of the printing test.

Missing blocks indicate dot drop-out. Collapsed or inclined blocks indicate dot displacement.

The space from "A" to "B" is group A. The space from "B" to the right side is group B.

The following figure shows the "TEST PRINT 2" test pattern.



### MEMO

If the printing-test results are difficult to interpret

Examine the results from different angles in a well-lit location. It is visible using the reflection of the light.

7. Select the group of print heads to clean.

- (1) Press [◀] or [▶] to select the group of print heads that is not to be cleaned.

```
POWERFULL CL. ◀◆▶
  AB          ↵
```

- (2) Press [▲] or [▼] to get rid of the group display.



- (3) Repeat steps 1 and 2 to display only the group of print heads that requires cleaning.

Only the displayed groups will be cleaned. If A and B are displayed, they will both be cleaned.

8. Press [ENTER].

The screen shown below appears.

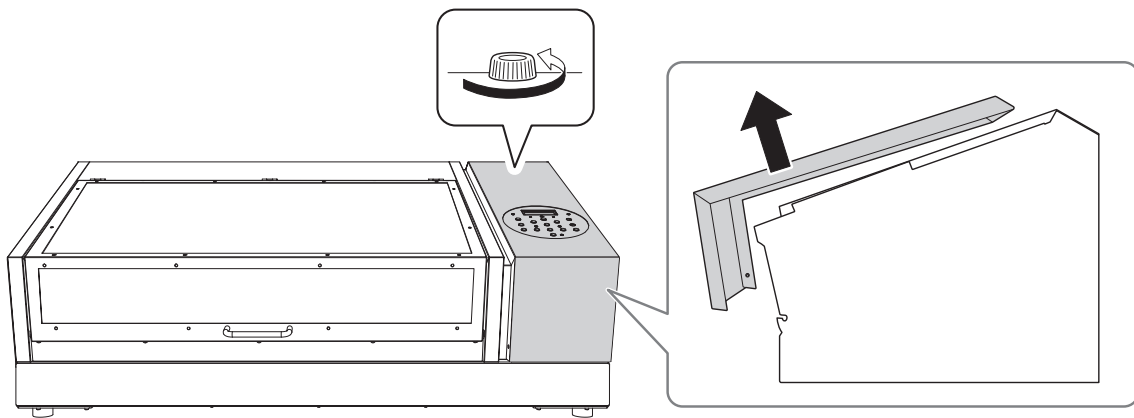


**MEMO**

You can press [◀] on this screen to cancel powerful cleaning.

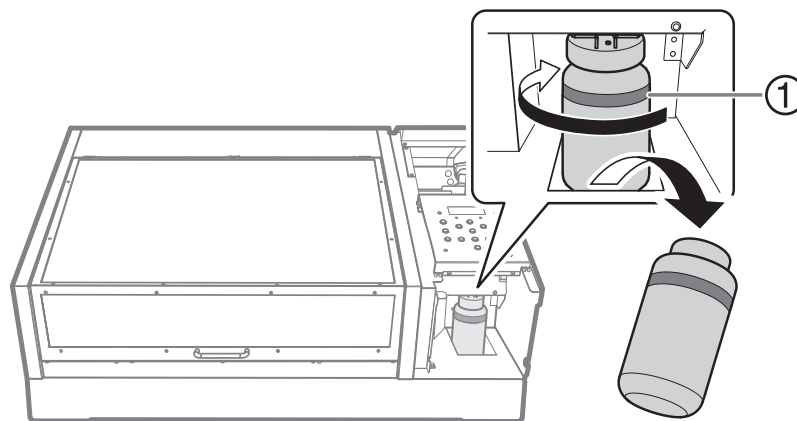
Powerful cleaning consumes a lot of ink and overly frequent use will damage the print heads. Perform this cleaning only when it is required. If you display this menu by mistake, cancel the operation.

9. Open the panel cover.



- 10.

11. Remove the drain bottle and discard the discharged fluid.



①: Upper limit. Discard the discharged fluid before this line is passed.

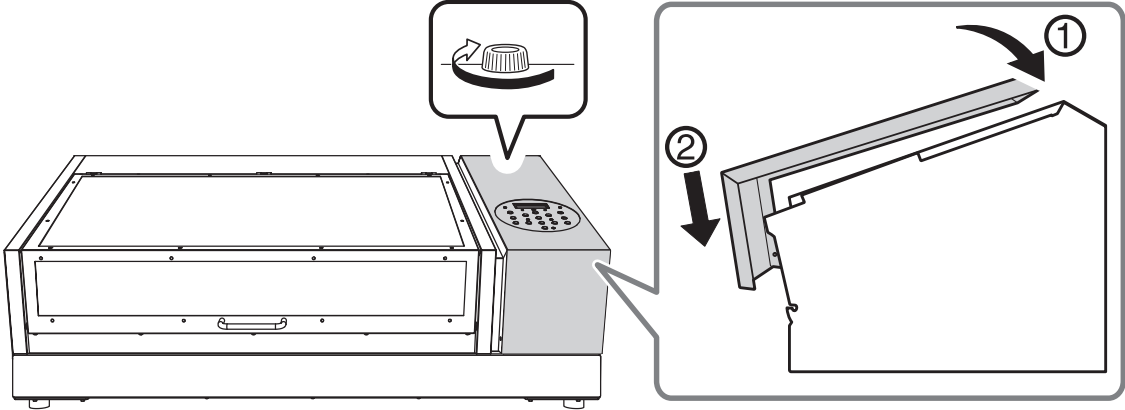
**IMPORTANT**

When you remove the drain bottle, a few drops of discharged fluid may come out of the machine. Exercise caution to prevent this fluid from soiling your hands.

12. Quickly attach the emptied drain bottle to the machine once more.

13. Close the panel cover.

When Normal Cleaning Is Not Effective



## 2. Start powerful cleaning.

### Procedure

#### 1. Press [ENTER].

#### MEMO

The screen shown below appears, and then cleaning starts. The (approximate) remaining time for the procedure is displayed on the screen. (The display shown below is an example. "01:45" = "1 minute and 45 seconds")

```
CLEANING...
>> 01:45
```

When finished, the screen shown below appears again.

```
POWERFULL CL. ◀▶
  AB ↵
```

#### 2. Press [◀].

#### 3. Display the printing test menu.

TEST PRINT

Press [▲] several times to display the screen shown below.

It is difficult to check the white ink if the paper for use in the printing test is white. We recommend printing on transparent paper.

```
CLEANING ◀▶
TEST PRINT ↵
```

TEST PRINT2

Press [▲] several times to display the screen shown below.

Because white ink is printed on a black undercoat, white ink can be easily checked even when printed on white paper. However, printing takes longer than "TEST PRINT."

```
CLEANING ◀▶
TEST PRINT2 ↵
```

#### 4. Press [ENTER].

Perform a printing test again to check whether the dot drop-out and dot displacement have been corrected.

#### MEMO

- If the problem persists, perform normal, medium, or powerful cleaning again.
- If problems such as dot drop-out and dot displacement persist even after you have performed normal, medium, or powerful cleaning several times, perform "manual cleaning."
- This cleaning can be effective when carried out periodically, according to the frequency of use.

#### RELATED LINKS

- P. 124 "Printing Tests and Normal Cleaning"
- P. 138 "Medium Cleaning Method"
- P. 145 "Manual Cleaning Method"



# Manual Cleaning

## When Manual Cleaning Is Necessary

The print heads are important components that discharge ink. They require periodic and appropriate maintenance. It is important to perform manual cleaning with the appropriate timing.

### When there is a lot of scattered ink mist and the inside of the machine is soiled

Perform this cleaning every day when frequently printing with the print heads at a distance from the print surface or when ink is emitted to locations that protrude from the print surface. If the scattered ink mist is allowed to harden, it may cause malfunctions.

### When a message appears

The following message appears periodically. When this message is displayed, be sure to perform manual cleaning.



### Once a month or more

To keep a stable printing condition at all times, perform manual cleaning once a month or more.

### When symptoms that cannot be improved with powerful cleaning occur

When any of the symptoms given below occur and powerful cleaning is not effective, perform manual cleaning.

Dot drop-out/Dot displacement	Ink drips	Dragging dirt
Dust or other foreign matter adheres to the print heads and impedes correct ink discharge.	Ink accumulates on dirty areas around the print heads and drips onto the object to be printed on.	Dirt accumulates on the area around the print heads and touches the object to be printed on.

#### Point

- The frequency with which manual cleaning should be performed depends on the machine's use. For information about the frequency of cleaning needed for your conditions of use, contact your authorized Roland DG Corporation dealer.
- Wiper replacement may also be effective in improving these symptoms.
- The print heads are components that wear out. Periodic replacement is required, with the frequency of replacement depending on use.

#### RELATED LINKS

- P. 169 "Replacing the Wipers and Wiper Cleaner"
- P. 176 "Inquiries for Consumable Parts and Products"

## Manual Cleaning Method

Perform manual cleaning once per month, if the inside of the machine is dirty due to ink mist, or if dot drop-out or ink drip issues that cannot be improved with powerful cleaning occur.

### ⚠ CAUTION

**Be sure to perform operations as specified by the instructions above, and never touch any area not specified in the instructions.**

**Sudden movement of the machine may cause injury.**

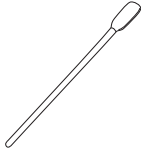

### IMPORTANT

#### Important notes on this procedure

- Before performing this operation, remove any objects to be printed on.
- To prevent the print heads from drying out, finish this procedure in 10 minutes or less. A warning beep sounds after 10 minutes.
- Never use any implements other than the included cleaning sticks. Cotton swabs or other lint-producing items may damage the print heads.
- Promptly dispose of cleaning sticks after using them once. Reusing cleaning sticks immediately or after time has passed will have a negative effect on the print heads.
- Do not put a cleaning stick that has been used for cleaning into the cleaning liquid. Doing so will deteriorate the cleaning liquid.
- Never rub the print head surface (nozzle surface).
- Stroke the sponges very gently, applying as little pressure as possible. Never rub, scrape, or crush them.

#### If a warning beep sounds during cleaning

- A warning beep sounds 10 minutes after operation begins. Stop work, close all the covers, and then press [ENTER] to end the manual cleaning mode. After that, restart the procedure from the beginning.

Required items	
	
Cleaning sticks	Cleaning liquid

## 1. Perform manual cleaning.

### Procedure

1. Remove the object to be printed on.
2. Press [MENU].
3. Press [▼] to display the screen shown below.

```
MENU      ◀◆
SUB MENU  ▶
```

4. Press [▶] once, and then press [▼] several times to display the screen shown below.

```
SUB MENU  ◀◆
MAINTENANCE ▶
```

5. Press [▶] to display the screen shown below.

```
MAINTENANCE ◀◆
CLEANING   ↵
```

6. Press [ENTER].

After "NOW PROCESSING.." is displayed and the print heads move, the screen shown below appears.

```
OPEN FRONT
COVER
```

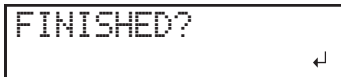
**MEMO**

Refresh the heads if the following message is displayed.



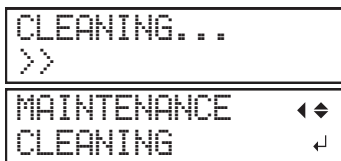
**7. Open the front cover.**

The screen shown below appears.

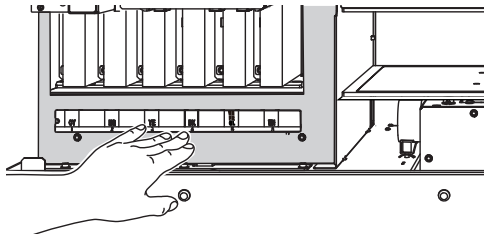


**IMPORTANT**

Do not press the [ENTER] key at this stage. Press the [ENTER] key after cleaning is complete. If you press the [ENTER] key at this stage, wait for the screen to change as shown in the following figure, and then press the [ENTER] key again.



**8. Touch the location shown in the figure (the area below the ink cartridge slots) to discharge any static electricity.**



**9. Moisten the cleaning stick with the cleaning liquid.**

**IMPORTANT**

Be sure to use one of the included cleaning sticks.

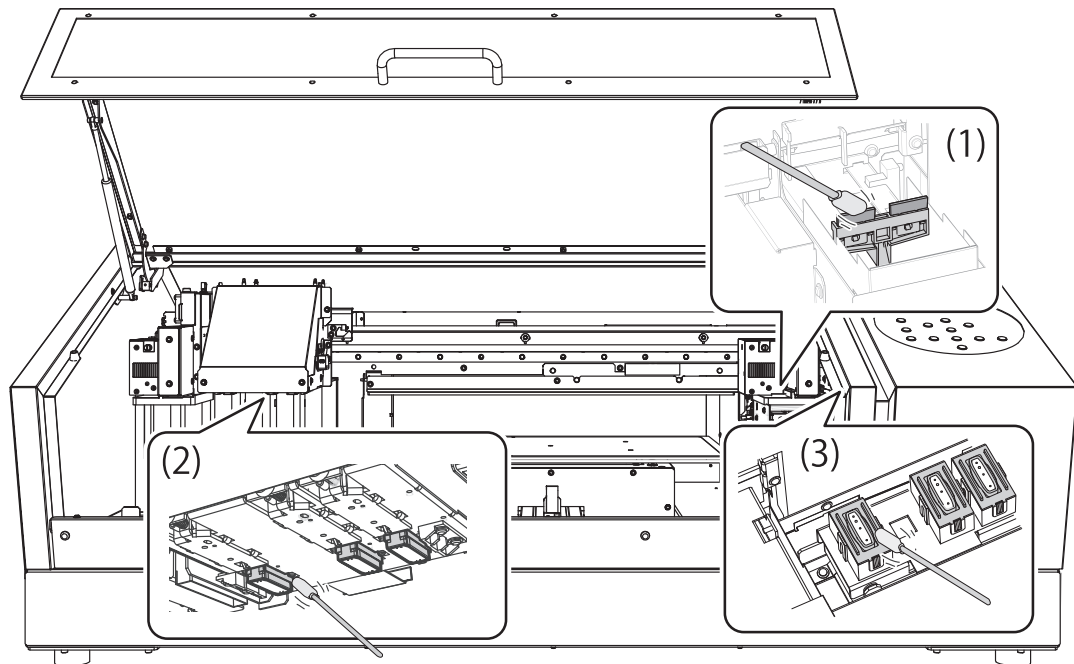


**10. Clean the locations shown in the following figure.**

Be especially careful to clean away any fibrous dust (lint).

Be careful not to touch the print head surface (nozzle surface) directly with the cleaning stick.

- (1) **Wipers**
- (2) **Clean only the metal frame.**
- (3) **Focus your cleaning on the frames. Only stroke the sponges gently, do not rub them forcefully.**



**11.** When you have finished cleaning, close the front cover.

**12.** Press [ENTER].

```

FINISHED?
└─┬─┘

```

The screen shown below appears, and then cleaning starts.

```

CLEANING...
>>

```

When the display returns to the following screen, manual cleaning is finished.

```

SETUP MEDIA

```

#### RELATED LINKS

- P. 133 "Head Refreshing Method"

## 2. Perform a printing test to check the results.

### Procedure

1. Load the object to be printed on.
2. Set the print area.
3. Press [FUNCTION].
4. Display the printing test menu.

TEST PRINT

Press [▲] several times to display the screen shown below.

It is difficult to check the white ink if the paper for use in the printing test is white. We recommend printing on transparent paper.



TEST PRINT2

Press [▲] several times to display the screen shown below.

Because white ink is printed on a black undercoat, white ink can be easily checked even when printed on white paper. However, printing takes longer than "TEST PRINT."

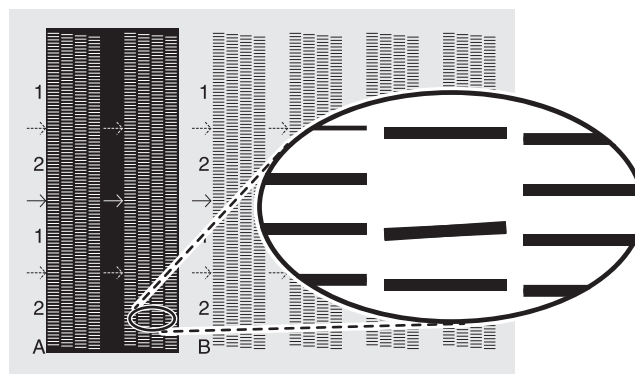


5. Press [ENTER].  
Printing of the test pattern starts.

6. Check whether there is dot drop-out or dot displacement in the test pattern.

Missing blocks indicate dot drop-out. Collapsed or inclined blocks indicate dot displacement.

The following figure shows the "TEST PRINT 2" test pattern.



7. If you have opened the front cover, close it.

If no dot drop-out or dot displacement occurs, this operation is finished. Press [FUNCTION] to go back to the original screen.

If dot drop-out or dot displacement is present, perform normal, medium, or powerful cleaning.

### RELATED LINKS

- P. 124 "Printing Tests and Normal Cleaning"
- P. 138 "Medium Cleaning Method"
- P. 140 "Powerful Cleaning Method"

- P. 176 "Inquiries for Consumable Parts and Products"
-

# 3. Advanced Maintenance

---

Restoring the White Ink Concentration .....	151
Circulating the Ink to Clear Precipitation .....	151
Handling Severe Dot Drop-out .....	153
Handling Severe Dot Drop-out with Spot Color Ink .....	153
Cleaning All Print Heads.....	157
Partially Restricting the Print Heads Used for Printing .....	159
Emergency Measure) Cleaning the Print Head Surface .....	167

# Restoring the White Ink Concentration

## Circulating the Ink to Clear Precipitation

Prolonged use of this machine may cause the concentration of the white ink to decrease. This is because white ingredients in white ink easily precipitate. The "CIRCULATE INK" feature circulates the ink to eliminate white ink precipitation, which restores the white ink concentration.

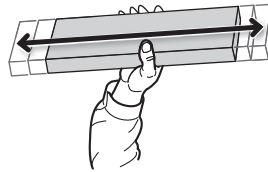
### MEMO

This procedure requires some ink to be discharged, so we do not recommend that you perform this procedure frequently.

### Procedure

1. Open the front cover.
2. Remove just the white ink cartridge, and shake it 50 times (about 20 seconds).

So that the ink mixes well, shake the ink cartridge horizontally with a stroke length of around 5 cm (2 in.) from each end of the ink cartridge.



3. Insert the white ink cartridge.
4. Close the front cover.
5. Press [MENU].
6. Press [▼] several times to display the screen shown below.

```
MENU          ◀◆
SUB MENU      ▶
```

7. Press [▶] once, and then press [▼] several times to display the screen shown below.

```
SUB MENU      ◀◆
INK CONTROL   ▶
```

8. Press [▶] once, and then press [▼] several times to display the screen shown below.

```
INK CONTROL   ◀◆
CIRCULATE INK ▶
```

9. Press [▶] to display the screen shown below.

```
インク濃度低下  
防止のため、インクを  
循環させます。
```

10. Press [ENTER].

Ink circulation starts.

```
CIRCULATING INK
```

### MEMO

Refresh the heads if the following message is displayed.

```
DO HEAD REFRESH
```

11. Press [MENU], then [◀] to go back to the original screen.



## Restoring the White Ink Concentration

---

### RELATED LINKS

---

- P. 133 "Head Refreshing Method"
-

# Handling Severe Dot Drop-out

## Handling Severe Dot Drop-out with Spot Color Ink

In this operation, all white ink, gloss ink and primer within the printer is discharged and the interior is cleaned. The white ink, gloss ink, and primer are refilled after cleaning. This operation requires two SOL INK cleaning cartridges.

If you want to perform maintenance on ink other than white ink, gloss ink and primer, see *Cleaning All Print Heads* (P. 157).

### MEMO

White ink tends to settle, and may harden if allowed to stand for a lengthy time. Therefore, abnormal ink emission including dot drop-out tends to occur more frequently than with other inks, even when using the cleaning function (normal, medium, or powerful) or manual cleaning.

### IMPORTANT

- Be sure to hold the handle of the front cover and open and close it gently.
- A large amount of ink will be discharged during this operation. Perform this operation only when ink emission failures (such as dot drop-out) cannot be improved even after performing "normal," "medium," "powerful," and "manual" cleaning.
- Be sure to use SOL INK cleaning cartridges. Use of any other type may result in breakdown.
- Follow the procedure and fill the machine with ink as soon as possible. Leaving the machine alone without ink may damage the print heads.

### Procedure

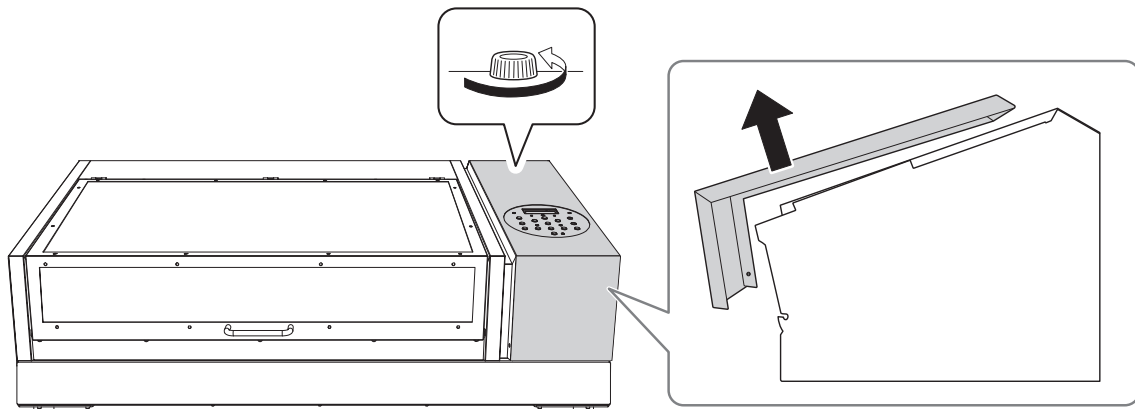
1. Press [MENU].
2. Press [▼] several times to display the screen shown below.



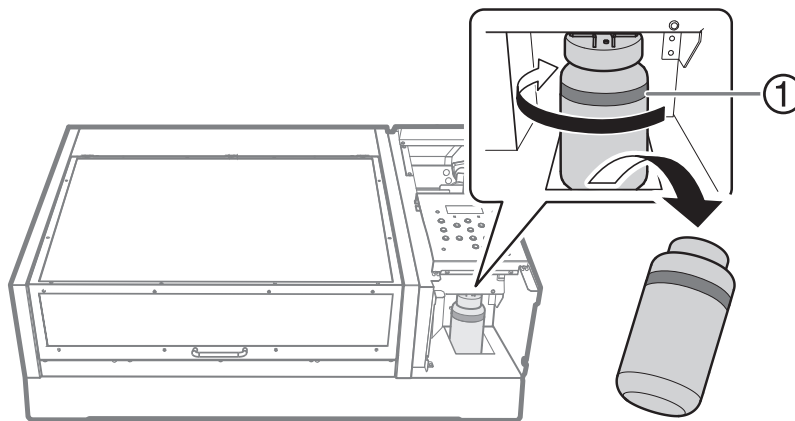
3. Press [ENTER].
4. Press [ENTER] when the following screen appears.



5. Make sure the cleaning liquid is ready.
6. When the following screen is displayed, open the panel cover.



7. Remove the drain bottle and discard the discharged fluid.

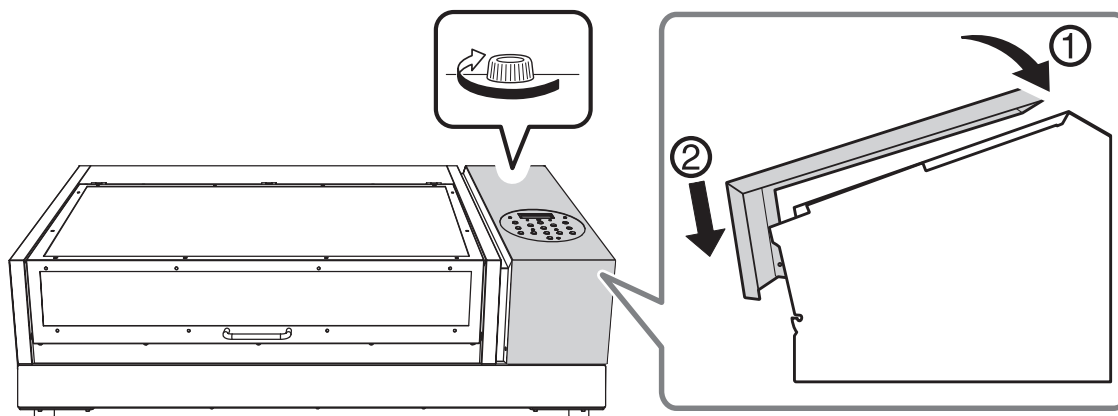


①: Upper limit. Discard the discharged fluid before this line is passed.

**IMPORTANT**

When you remove the drain bottle, a few drops of discharged fluid may come out of the machine. Exercise caution to prevent this fluid from soiling your hands.

- 8. Quickly attach the emptied drain bottle to the machine once more.
- 9. Close the panel cover.



- 10. Press [ENTER].
- 11. Open the front cover.
- 12. Remove the ink cartridges from the flashing number slots 5 and 6.

```
REMOVE CL-LIQUID
123456
```

- 13. When the screen shown below is displayed, insert SOL INK cleaning cartridges into the flashing number slots 5 and 6.

```
SET CL-LIQUID
123456
```

The screen shown below appears.

```
RENEWING INK...
>>>>>>
```

- 14. When the screen shown below is displayed, remove SOL INK cleaning cartridges from the flashing number slots 5 and 6.

```
REMOVE CL-LIQUID
123456
```

The screen shown below appears.

RENEWING INK...  
 >>>>>>

15. When the screen shown below is displayed, insert ink cartridges into the flashing number slots 5 and 6.

SET CARTRIDGE  
 123456

The screen shown below appears.

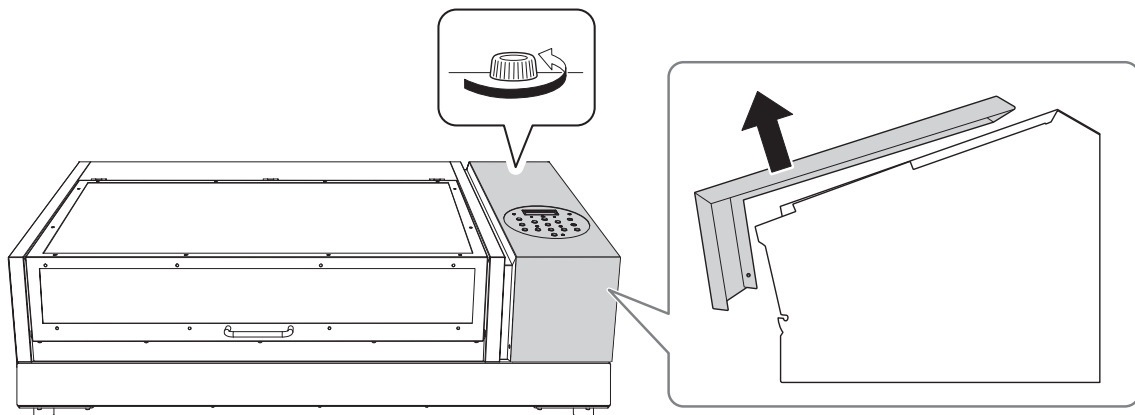
RENEWING INK...  
 >>>>>>

16. When the following screen is displayed, open the panel cover.

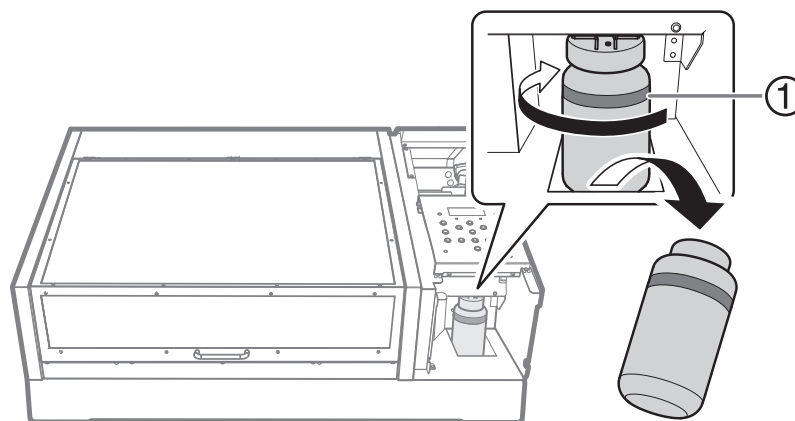
EMPTY ◀  
 DRAIN BOTTLE ↵

17. Close the front cover.

18. Open the panel cover.



19. Remove the drain bottle and discard the discharged fluid.



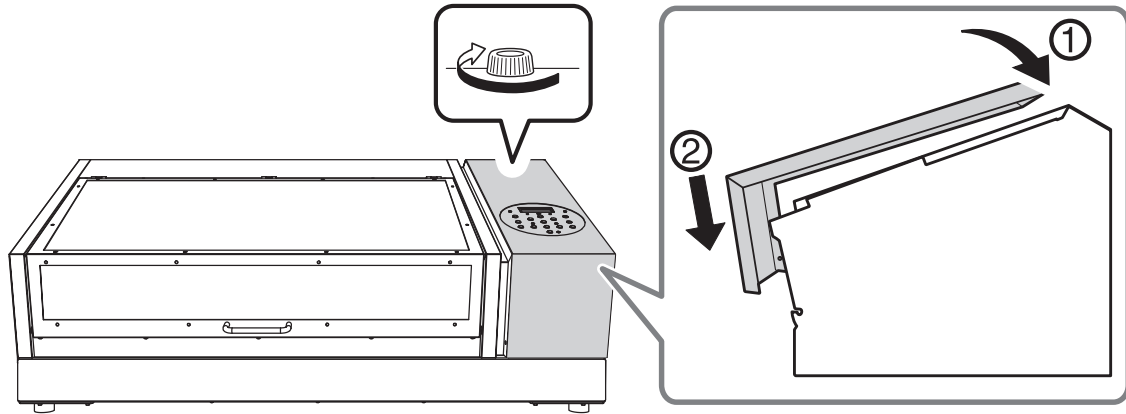
①: Upper limit. Discard the discharged fluid before this line is passed.

**IMPORTANT**

When you remove the drain bottle, a few drops of discharged fluid may come out of the machine. Exercise caution to prevent this fluid from soiling your hands.

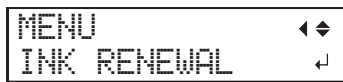
20. Quickly attach the emptied drain bottle to the machine once more.

21. Close the panel cover.



**22.** Press [ENTER].

The screen shown below appears again.



**23.** Press [MENU], then [◀] to go back to the original screen.

## Cleaning All Print Heads

In this operation, all inks within the printer are discharged, and the interior is cleaned. Ink is refilled after cleaning. This operation requires six unused SOL INK cleaning cartridges (four for cleaning and two for refilling ink). Have these on hand before you start.

The effect on white ink, gloss ink and primer is the same as Handling Severe Dot Drop-out with Spot Color Ink(P. 153). If you want to perform maintenance only on white ink, gloss ink, and primer, see Handling Severe Dot Drop-out with Spot Color Ink(P. 153).

### IMPORTANT

- All ink is discharged in this operation. Perform this operation only when ink emission failures (such as dot drop-out) cannot be improved even after performing "normal," "medium," "powerful," and "manual" cleaning.
- Be sure to use SOL INK cleaning cartridges. Use of any other type may result in breakdown.
- Fill the machine with ink as soon as possible after cleaning is finished. Allowing the machine to stand without ink may damage the print heads.

### Procedure

1. Press [MENU].
2. Press [▼] to display the screen shown below.

```
MENU      ◀◆
SUB MENU  ▶
```

3. Press [▶] once, and then press [▼] several times to display the screen shown below.

```
SUB MENU  ◀◆
INK CONTROL ▶
```

4. Press [▶] once, and then press [▼] several times to display the screen shown below.

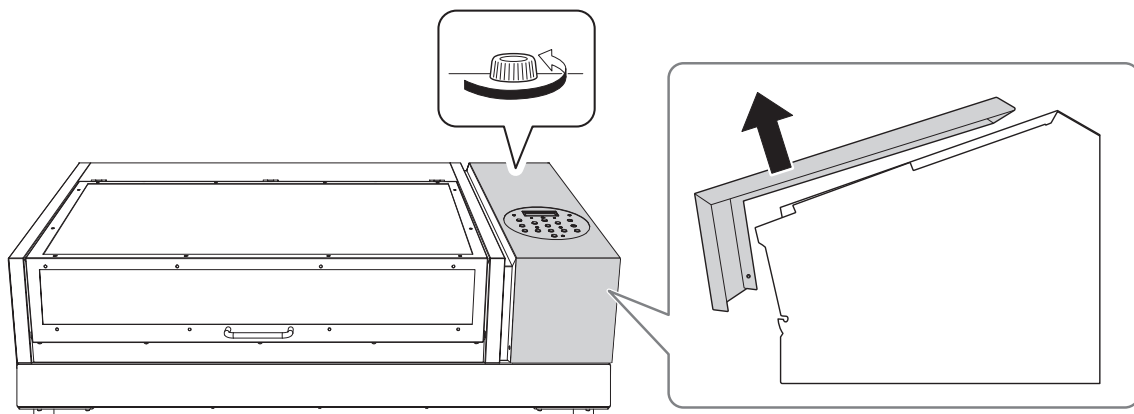
```
INK CONTROL ◀◆
HEAD WASH  ◀↓
```

5. Press [ENTER].
6. Press [ENTER] when the following screen appears.

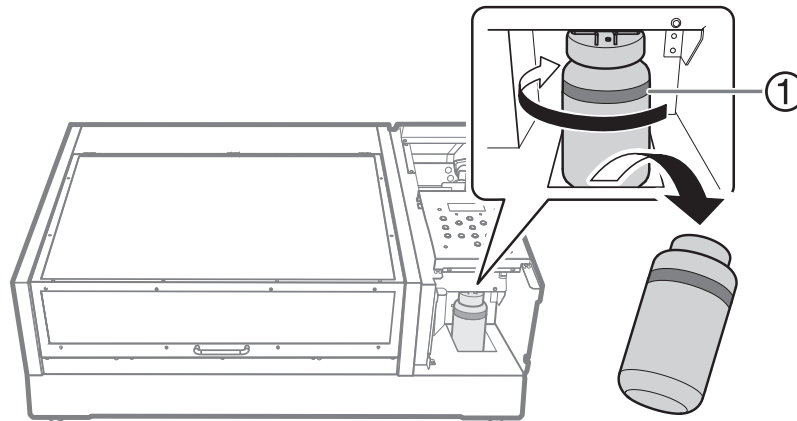
```
CLEANING LIQUID ◀
IS REQUIRED      ◀↓
```

7. Make sure the cleaning liquid is ready.
8. When the following screen is displayed, open the panel cover.

```
OPEN PANEL
COVER
```



### 9. Remove the drain bottle and discard the discharged fluid.



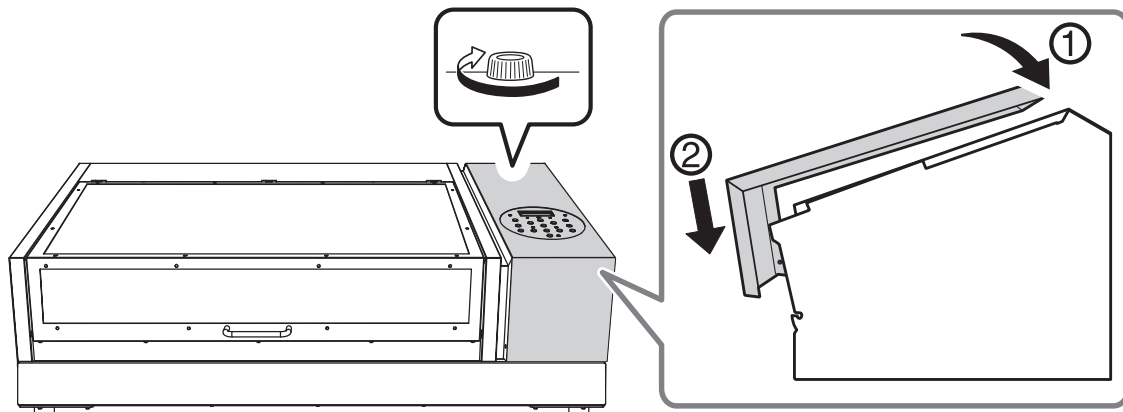
①: Upper limit. Discard the discharged fluid before this line is passed.

#### IMPORTANT

When you remove the drain bottle, a few drops of discharged fluid may come out of the machine. Exercise caution to prevent this fluid from soiling your hands.

### 10. Quickly attach the emptied drain bottle to the machine once more.

### 11. Close the panel cover.

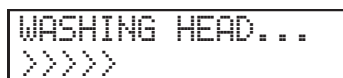


#### IMPORTANT

The following operations will discharge large amounts of fluid. If you do not empty the drain bottle, the discharged fluid may overflow.

### 12. Press [ENTER].

The screen shown below appears.



### 13. Thereafter, follow the on-screen instructions to carry out the operations.

After cleaning has finished, the sub power is automatically switched off.

### 14. Start filling the machine with ink.

See the "Setup Guide" and promptly fill the machine with ink. When filling the machine with ink, use (two) SOL INK cleaning cartridges again.

## Partially Restricting the Print Heads Used for Printing

When dot drop-out or dot displacement is not improved even if "INK RENEWAL" and "HEAD WASH" are performed, partially restrict the print heads to use for printing (i.e. prevent the use of the print heads that are causing discharge issues). This operation is called the "nozzle mask," and while it slows down printing speed, it also allows you to decrease the impact of dot drop-out or dot displacement.

First print a test pattern, and then select the print heads to use in printing from the test results. After that, use VersaWorks to limit print heads used for printing.

### 1. Set the machine so that the print area is set each time the media is set up.

Prevent printing in the incorrect position by specifying the print area each time before setting up the object to be printed on.

#### MEMO

To print in the same position repeatedly, specify "DISABLE" for this setting.

#### Procedure

1. Press [MENU].
2. Press [▼] to display the screen shown below.

```
MENU      ◀◆
SUB MENU  ▶
```

3. Press [▶] twice to display the screen shown below.

```
SET AT SETUP  ◀◆
DISABLE▶DISABLE┘
```

4. Press [▲] or [▼] to select "ENABLE".
5. Press [ENTER] to confirm your entry.



## 2. Set the lower-right corner of the object to be printed on to the base printing position.

---

Set the base printing position (home position) at the front right of the print area. This method is appropriate when the print site is level, and you can clearly specify the print area.

Print area setup can be performed with the front cover open. However, if the front cover is left open for approximately 40 seconds, the print heads automatically return to the home position. The menu returns to the previous one. Repeat the procedure.

### Procedure

1. Press [◀].
2. Press [▼] twice, and then press [▶] once to display the screen shown below.

```
SET BASE POS. ◀◆
LOWER R▶CENTER Ⓜ
```

3. Press [▲] or [▼] to select "LOWER R".
4. Press [ENTER] to confirm your entry.
5. Press [MENU], then [◀] to go back to the original screen.

### 3. Attach the object to be printed on for the printing test.

Attach the object to be printed on for the printing test. Use paper for testing (width 90 mm (3.54 in.) × length 70 mm (2.76 in.) or more), not the object that will actually be printed on.

**Procedure**

1. Check that the following screen is displayed.



If this screen is not displayed, check that nothing has been placed on top of the flat table, and then hold down [SETUP] for 1 second or more.

The flat table will come forward into a position in which the object to be printed on can be set up.

2. Open the front cover.

**IMPORTANT**

Be sure to hold the handle of the front cover and open and close it gently.

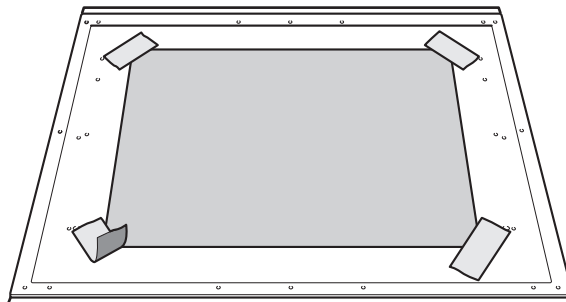
3. Secure the paper for the printing test.

Printing tests are used to check that no dot drop-out occurs. Use paper for testing (width 90 mm (3.54 in.) × length 70 mm (2.76 in.) or more), not the object that will actually be printed on.

**MEMO**

There are two types of printing tests. Select the paper to be used based on the features of the given type.

Type	Features				
<table border="1"> <tr> <td>CLEANING</td> <td>◀ ◆</td> </tr> <tr> <td>TEST PRINT</td> <td>↓</td> </tr> </table>	CLEANING	◀ ◆	TEST PRINT	↓	It is difficult to check the white ink if the paper for use in the printing test is white. We recommend printing on transparent paper.
CLEANING	◀ ◆				
TEST PRINT	↓				
<table border="1"> <tr> <td>CLEANING</td> <td>◀ ◆</td> </tr> <tr> <td>TEST PRINT2</td> <td>↓</td> </tr> </table>	CLEANING	◀ ◆	TEST PRINT2	↓	Because white ink is printed on a black undercoat, white ink can be easily checked even when printed on white paper. However, printing takes longer than "TEST PRINT."
CLEANING	◀ ◆				
TEST PRINT2	↓				



**MEMO**

**Affixing the media with tape**

Secure the media in place using a substance such as commercially available tape affixed directly to the flat table. This method can be used for thin paper and other such media that can be secured with tape only. It can be set anywhere as long as it does not protrude from the top of the flat table. Be aware that folds or kinks in the paper might hit the interior of the printer and cause damage.

4. Close the front cover.

## 4. The height of the object to be printed on is detected automatically.

The height of the object to be printed on is automatically detected, and the print heads are adjusted to the appropriate height for printing.

### Procedure

**1. Press [SETUP].**

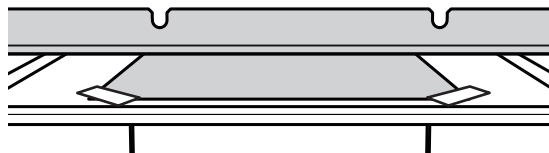
[SETUP] starts to flash.

**2. Open the front cover.**

**3. Press [▲], [▼], [UP] or [DOWN] to move the flat table, bringing the highest position of the print surface into contact with the head gap sensor.**

When the head gap sensor reacts, a buzzer goes off.

To fine-tune the height, open the front cover and make the adjustments from a close distance.



**4. Press [▶] to display the screen shown below.**



**5. Close the front cover.**

#### IMPORTANT

The following step moves the flat table rearward. If the object to be printed on hits the head gap sensor forcefully, the object to be printed on may be damaged or the head gap sensor may malfunction.

To re-adjust the height of the object to be printed on, press [◀] and redo the procedure from step 2.

**6. Press [ENTER].**

The flat table moves and the height of the object to be printed on is detected. The flat table rises while moving backward and forward until the object to be printed on reaches a position where it comes in contact with the head gap sensor.

When the flat table stops moving and one short beep is heard, the setup is complete.

The height of the object to be printed on will be set automatically to a position about 1 mm (39.4 mil) away from the print head's ink emission surface.

#### MEMO

You can change the distance between the ink emission surface of the print heads and the object to be printed on. For details, refer to Adjusting the Distance between the Object to Be Printed On and the Print Heads(P. 61).

## 5. Set the print area.

Set the print area for the printing test. For a printing test, set the print area with a "WIDTH" of 90 mm (3.5 in.) or more and a "LENGTH" of 70 mm (2.8 in.) or more. An error will occur and printing tests cannot be performed if the area is smaller than this.

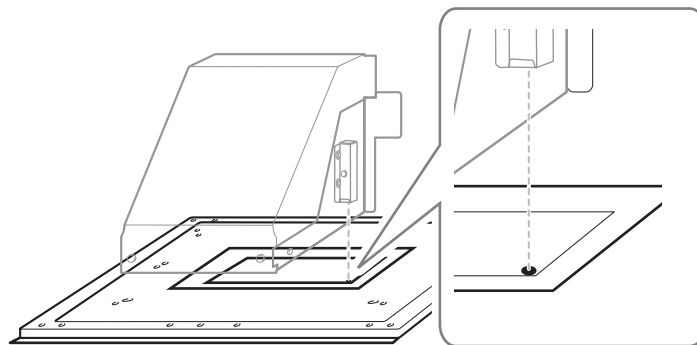
### Procedure

1. Press [▲], [▼], [▶] or [◀] when the following screen appears.

```
SCAN:  0.0mm
FEED:  0.0mm ↵
```

The flat table and the print heads move so that the pointer points at the previously set printing base position.

2. Press [▲], [▼], [▶] or [◀] to move the pointer until it points to a position in the right foreground of the print area.



3. Press [ENTER].

The print heads return to the home position and the following screen is displayed.

```
WIDTH: XXX.Xmm
LENGTH: XXX.Xmm ↵
```

### MEMO

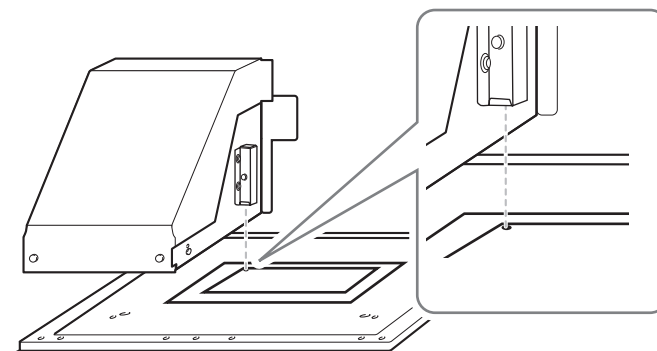
- The previously set values are displayed for "WIDTH" and "LENGTH."
- When the object to be printed on comes into contact with the head gap sensor, the setup is canceled and the screen shown below appears. Redo from 5. The height of the object to be printed on is detected automatically. (P. 38).

```
CHECK TABLE
HEIGHT ↵
```

When "CLEARANCE MODE" is set to "RE-ADJ." (Adjusting the Distance between the Object to Be Printed On and the Print Heads (P. 61)), the setup is not canceled and operation continues.

4. Press [▲], [▼], [▶] or [◀] to set the "WIDTH" to 90 mm (3.5 in.) or more and the "LENGTH" to 70 mm (2.8 in.) or more.

The pointer moves until it points to a position in the inner left of the print area.



**5.** Close the front cover when it is open.

**6.** Press [ENTER].

The print area is specified. Print heads return to the standby position.

**7.** Make sure the "W" (width), "L" (length), and "H" (height) values on the menu screen are as intended.

W: 90mm L: 70mm
H: 100.0mm

**MEMO**

- If you want to use the print area specified here for the next printing operation, switch "SET AT SETUP" (Omitting the Setting of the Print Area(P. 85)) to "DISABLE." With this setting, you can set up the object to be printed on without setting the print area and base position.
- Automatic return is not possible for a set base printing position (home position). In other words, the setting must be configured again if the base printing position (home position) differs, such as when selecting a new object to be printed on.

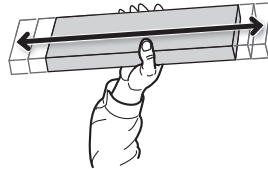
## 6. Perform a printing test.

Before you carry out actual printing, perform a printing test to ensure no dot drop-out or dot displacement occurs.

### Procedure

1. Before the start of daily operations, remove just the white ink cartridge, shake it 50 times (about 20 seconds), and then reinsert it.

So that the ink mixes well, shake the ink cartridge horizontally with a stroke length of around 5 cm (2 in.) from each end of the ink cartridge.



### IMPORTANT

The ingredients in white ink tend to settle. The precipitation of the ingredients in the ink disables printing in normal color. Allowing the ink to stand without carrying out these steps can cause the settled material to harden, resulting in malfunction or other problems.

2. Press [FUNCTION].

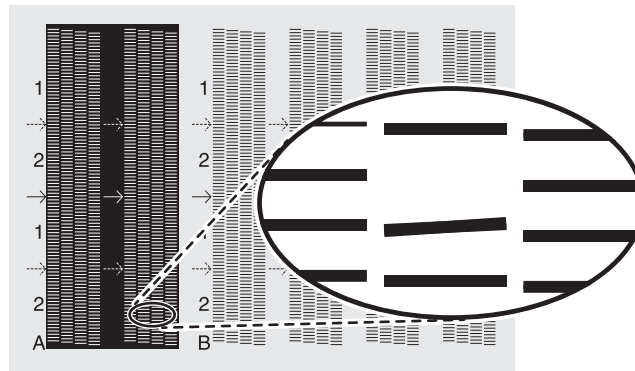
3. Press [ENTER].

Printing of the test pattern starts.

4. Check whether there is dot drop-out or dot displacement in the test pattern.

Missing blocks indicate dot drop-out. Collapsed or inclined blocks indicate dot displacement.

The following figure shows the "TEST PRINT 2" test pattern.



5. If you have opened the front cover, close it.

If no dot drop-out or dot displacement occurs, this operation is finished. Press [FUNCTION] to go back to the original screen.

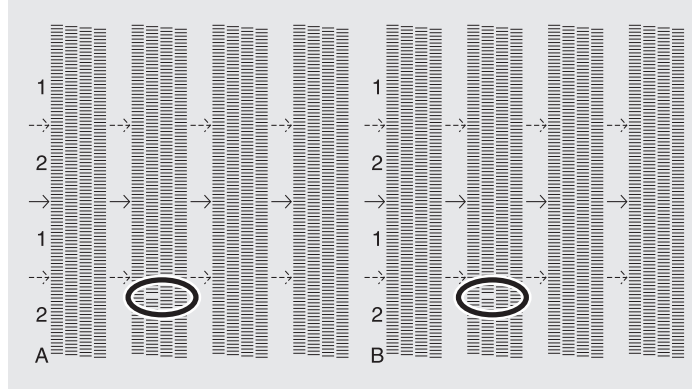
### MEMO

When performing printing tests successively, you can select ""FEED"" (vertical printing) or ""SCAN"" (horizontal printing) as the print position for the second and later tests in comparison to the first test.

## 7. Limiting Print Heads Used for Printing

**Procedure**

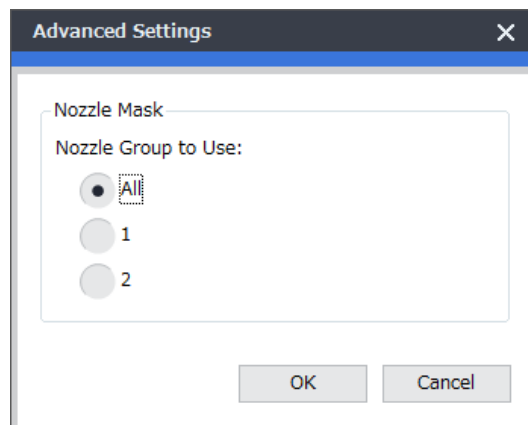
1. Check for the nozzle group with dot drop-out or dot displacement by viewing the results of the printing test.  
"1" or "2" is the nozzle group. The following shows a dot drop-out in nozzle group 2.




**MEMO**

If the printing-test results are difficult to interpret  
Examine the results from different angles in a well-lit location. It is visible using the reflection of the light.

2. Start VersaWorks.
3. Click [Printer] - [Printer Settings].  
The [Printer Settings] dialog box appears.
4. From the [Printer List], select the printer whose print heads will be limited.
5. Click [Advanced].  
The [Advanced] dialog box appears.
6. Select the print heads to use in printing from the printing-test results.



7. Click [OK].  
Close the [Advanced] dialog box.
8. Click [OK].
9. Close the [Printer Settings] dialog box.
10. The  icon is displayed on top of the image of the printer whose setting has been changed.

## Emergency Measure) Cleaning the Print Head Surface

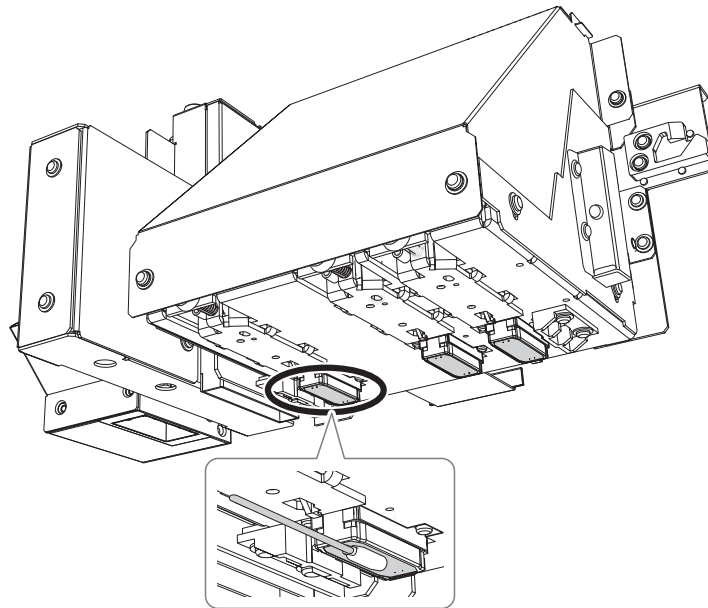
When dot drop-out or dot deflection is not improved even if cleaning is performed several times, you can clean the surface of the print heads as an emergency measure. The print head surface (nozzle surface) is a very delicate mechanism, so work must be performed carefully and cautiously.

This operation is an emergency measure. It may damage defect-free parts depending on the symptoms, worsening the symptoms. If you have any questions, contact your authorized Roland DG Corporation dealer.

### Procedure

1. Apply a large amount of cleaning solution to the cleaning stick.
2. Very gently touch the cleaning stick against the print head surface (nozzle surface).

Very softly press the cleaning stick against the print head so that cleaning liquid soaks into the print head surface (nozzle surface). Never rub the stick on the surface or press it forcibly.





# 4. Replacing Consumable Parts and Products

---

How to Replace Consumable Parts .....	169
Replacing the Wipers and Wiper Cleaner .....	169
Replacing the Filter .....	173
Replacing the Cleaning Pad Unit.....	175
Inquiries for Consumable Parts and Products.....	176
Items That You Can Purchase and Replace by Yourself.....	176
Items That Require Inquiries before Replacement .....	176

# How to Replace Consumable Parts

## Replacing the Wipers and Wiper Cleaner

The wipers and wiper cleaner are consumables that you use when cleaning the print heads. They need to be replaced at appropriate intervals.

When the following screen is displayed, it is time to replace the wiper.

```
TIME FOR
WIPER REPLACE ↵
```

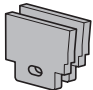
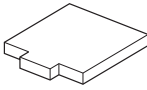
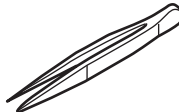

### ⚠ CAUTION

**Be sure to perform operations as specified by the instructions, and never touch any area not specified in the instructions.**

Otherwise sudden movement of the machine may cause injury.

### IMPORTANT

- A warning beep sounds 10 minutes after operation begins. If the warning beep is heard, temporarily stop work, close the front cover, and press [ENTER]. Quit the wiper replacement menu. After that, restart the procedure from the beginning.
- Be sure to hold the handle of the front cover and open and close it gently.

Required items			
Included items		Commercially available item	
 Wipers (2)	 Wiper cleaner	 Tweezers	 Cloth

## 1. Replace the wipers.

### Procedure

1. Press [ENTER] when the following screen appears.

```
TIME FOR
WIPER REPLACE ↵
```

2. Remove the object to be printed on.

3. Press [MENU].

4. Press [▼] to display the screen shown below.

```
MENU          ◀◆
SUB MENU      ▶
```

5. Press [▶] once, and then press [▼] several times to display the screen shown below.

```
SUB MENU     ◀◆
MAINTENANCE ▶
```

6. Press [▶], then [▼] to display the screen shown below.

```
MAINTENANCE ◀◆
REPLACE WIPER ↵
```

7. Press [ENTER].

After "NOW PROCESSING.." is displayed and the operation for wiper replacement is performed, the screen shown below appears.

OPEN FRONT  
COVER

**MEMO**

Refresh the heads if the following message is displayed.

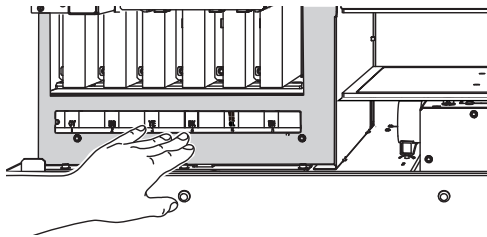
DO HEAD REFRESH

**8. Open the front cover.**

Preparation is complete once the following screen is displayed.

FINISHED?

**9. Touch the location shown in the figure (the area below the ink cartridge slots) to discharge any static electricity.**



**10. Replace the wipers.**

**(1) Detach both of the old wipers.**

Using the tweezers, unhook the wipers, and then pull them up. Using the tweezers to press on the hook in the hole on the wiper makes it easier to remove the wiper.

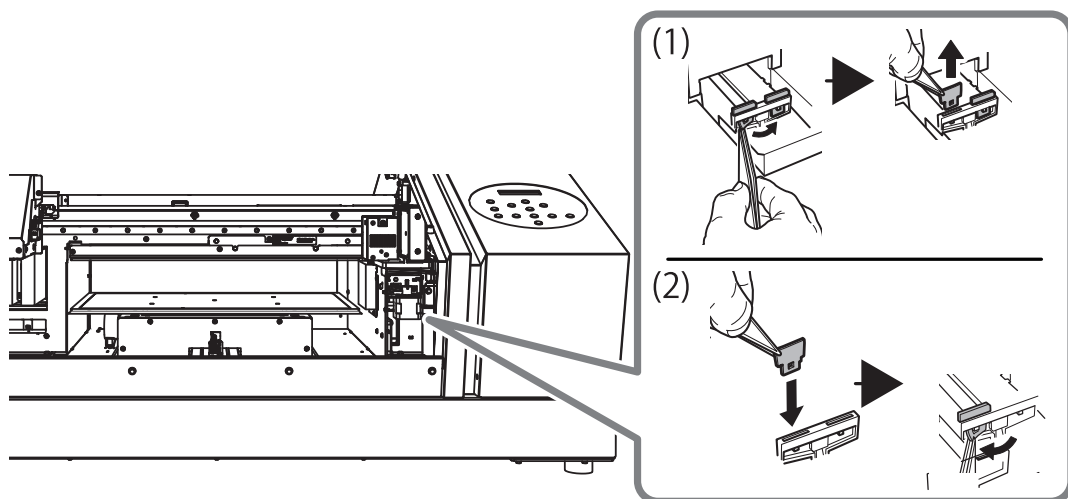
**(2) Attach both of the new wipers.**

Attach the wipers so that the notches on both wipers face each other. If the wiper is installed with the incorrect orientation, appropriate cleaning will not be possible.

Be sure to attach the wipers to the hooks. Failure to do so may result in dot drop-out or other problems.

**MEMO**

Replace the two wipers at the same time.



**RELATED LINKS**

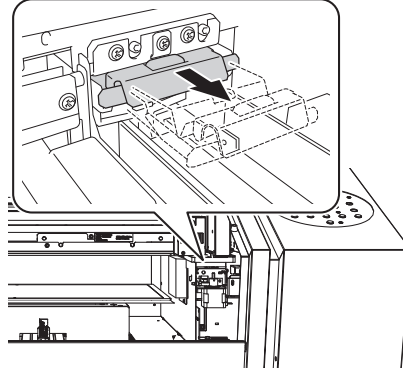
- P. 133 "Head Refreshing Method"

## 2. Replace the wiper cleaner.

### Procedure

#### 1. Remove the wiper cleaner case.

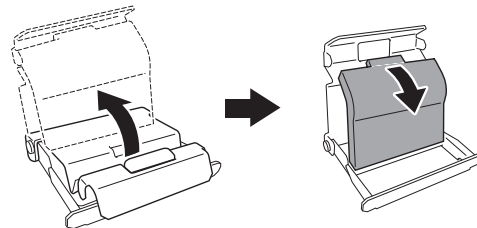
Hold the right and left sides of the case with your hands and use slight force to pull it out.



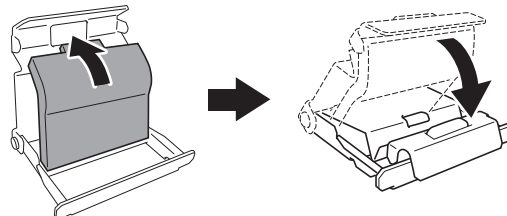
During the replacement, wipe away any buildup of ink around the outlet with a cloth.

#### 2. Replace the wiper cleaner.

##### (1) Remove the old wiper cleaner.

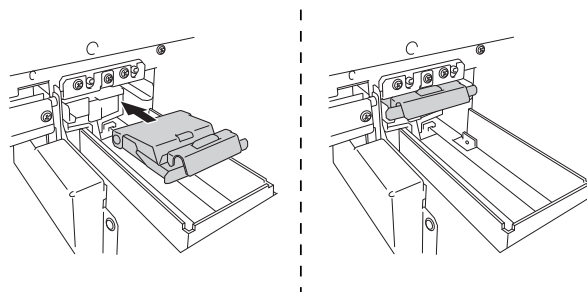


##### (2) Attach the new wiper cleaner.



#### 3. Attach the wiper cleaner case.

Hold the right and left sides of the case and use slight force to push it in.



#### 4. Press [ENTER].

#### 5. When the following screen is displayed, close the front cover.

```
CLOSE FRONT
COVER ↵
```

## How to Replace Consumable Parts

---

Start cleaning.

When the following screen is displayed again, the wiper and wiper cleaner replacement is finished.



### RELATED LINKS

---

- P. 176 "Inquiries for Consumable Parts and Products"
-

## Replacing the Filter

This section explains how to replace the filter used for the mist fan that adjusts scattering of ink mist. When the screen displays a message like the one shown, it means the item needs to be replaced. Replace with new items.

TIME FOR  
FILTER REPLACE ↵

### ⚠ CAUTION

Be sure to perform operations as specified by the instructions, and never touch any area not specified in the instructions.

Otherwise sudden movement of the machine may cause injury.

### IMPORTANT

- A warning beep sounds 10 minutes after operation starts. Stop work and close the front cover. Press [ENTER] to exit the wiper replacement menu. After that, restart the procedure from the beginning.
- Be sure to hold the handle of the front cover and open and close it gently.

### Procedure

1. Press [ENTER] when the following screen appears.

TIME FOR  
FILTER REPLACE ↵

2. Remove the object to be printed on.
3. Press [MENU].
4. Press [▼] to display the screen shown below.

MENU ◀▶  
SUB MENU ▶

5. Press [▶] once, and then press [▼] several times to display the screen shown below.

MAINTENANCE ◀▶  
REPLACE FILTER ↵

6. Press [MENU].

After "NOW PROCESSING.." is displayed and the operation for filter replacement is performed, the screen shown below appears.

OPEN FRONT  
COVER

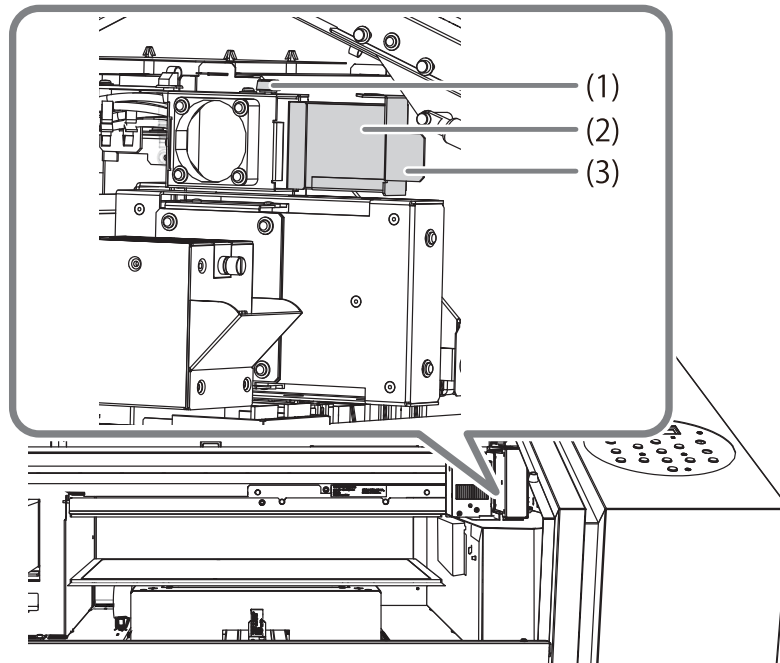
### MEMO

Refresh the heads if the following message is displayed.

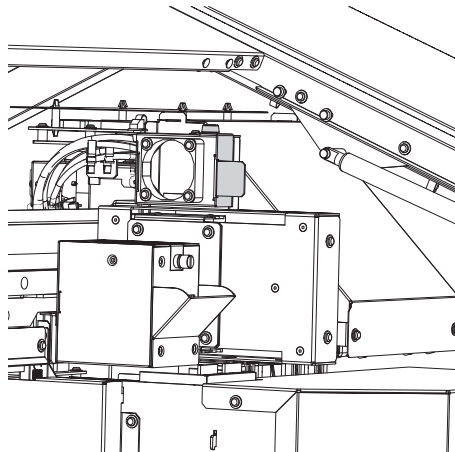
DO HEAD REFRESH ↵

7. Open the front cover.
  8. The screen shown below appears.
- REPLACE CARRIAGE  
FAN FILTER ↵
9. Loosen the screw (1) and pull out the filter holder (2) of the carriage mist fan.
  10. Replace the filter (3).

During the replacement, wipe away any buildup of ink around the outlet with a cloth.



- 11. Tighten the screw while pushing the filter holder of the carriage mist fan.**  
Insert the filter holder completely so that there is no gap in the insertion port.



- 12. Press [ENTER].**
- 13. When the following screen is displayed, close the front cover.**

```
CLOSE FRONT  
COVER ↵
```

- 14. Press [ENTER].**  
Start cleaning.  
When the following screen is displayed again, the filter replacement is finished.

```
SETUP MEDIA
```

### RELATED LINKS

- P. 133 "Head Refreshing Method"
- P. 176 "Inquiries for Consumable Parts and Products"

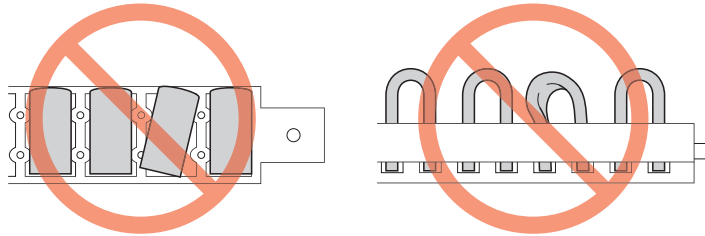
---

## Replacing the Cleaning Pad Unit

Replace the cleaning pad unit for the head refresher whenever necessary.

Replace the cleaning pad unit in the following cases. Continued use of the product in this state may prevent effective head refreshing and cause print head malfunctions.

- After half a year from starting use
- When the cleaning pad is excessively distorted (warped or tilted) or when it gets pulled out



For information on replacement, contact your authorized Roland DG Corporation dealer.

---

### RELATED LINKS

- P. 176 "Inquiries for Consumable Parts and Products"
-



# Inquiries for Consumable Parts and Products

## Items That You Can Purchase and Replace by Yourself

To purchase the following consumable parts or products, contact your authorized Roland DG Corporation dealer or visit our website (<http://www.rolanddg.com/>).

Item	Related page
Wipers	➤ P. 169 「Replacing the Wipers and Wiper Cleaner」
Wiper cleaner	
Filter	➤ P. 173 「Replacing the Filter」
Cleaning sticks	➤ P. 144 「Manual Cleaning」
Cleaning liquid	
Head cleaning sheet	➤ P. 133 「Head Refreshing Method」
Cleaning liquid for head refreshing	

## Items That Require Inquiries before Replacement

When replacing the following consumable parts, contact your authorized Roland DG Corporation dealer.

Item	Related page
Print heads	➤ P. 144 「Manual Cleaning」
Cleaning pad unit	➤ P. 175 「Replacing the Cleaning Pad Unit」

# **Chapter 5 Troubleshooting Methods**

# 1. Print Quality Problems

---

Printed Results Are Coarse or Contain Horizontal Stripes.....	179
Do the print heads cause dot drop-out?.....	179
Are the software RIP settings appropriate? .....	179
Is the printer installed in a level and stable location? .....	179
Is the printer installed in a location that is not exposed to direct sunlight?.....	179
Is the object to be printed on loaded and set up correctly?.....	179
The Object to be Printed on Becomes Soiled When Printed .....	180
Are the print heads dirty?.....	180
Is the humidity of the room too low? .....	180
Colors Are Unstable or Uneven.....	181
Did you shake the ink cartridges before installing them? .....	181
Has the printer been used continuously for a long time? .....	181
Was printing paused partway through? .....	181
Is the printer installed in a level and stable location? .....	181
Is the printer set to pause during printing for cleaning? .....	181
Is the printer being used in a location subject to severe changes in the operating environment? .....	181
Are the settings for the [PRESET] menu item appropriate? .....	181

# Printed Results Are Coarse or Contain Horizontal Stripes

---

## Do the print heads cause dot drop-out?

If dot drop-out or dot displacement is present, perform head refreshing.

After performing head refreshing, carry out a printing test and make sure no dot drop-out or dot displacement occurs. If dot drop-out or dot displacement is still present, perform normal cleaning.

### RELATED LINKS

---

- P. 133 "Head Refreshing Method"
  - P. 124 "Printing Tests and Normal Cleaning"
  - P. 138 "When Normal Cleaning Is Not Effective"
- 

## Are the software RIP settings appropriate?

Try using the optimal print mode on software RIP. Specific combinations of the object to be printed on and print mode may cause the colors to be uneven, and results may also vary greatly depending on the color-profile selection. Select settings appropriate for the object to be printed on.

## Is the printer installed in a level and stable location?

Never install the machine in a location where it is tilted or where it may wobble or experience vibration. These factors may lead to dot-dropout or reduced printing quality.

## Is the printer installed in a location that is not exposed to direct sunlight?

Never install the machine in a location that is exposed to direct sunlight. Doing so may result in dot drop-out or other problems with reduced printing quality, or may even result in malfunction.

## Is the object to be printed on loaded and set up correctly?

If the object to be printed on is not loaded correctly, printing may be adversely affected. Make sure the object to be printed on is loaded and set up correctly.

### RELATED LINKS

---

- P. 44 "1.Attach the object to be printed on."
-

# The Object to be Printed on Becomes Soiled When Printed

---

## Are the print heads dirty?

The following may cause ink to drip on the object to be printed on during printing.

- Buildup of fibrous dust (lint) around the heads
- Ink transferred to the heads due to rubbing against the object to be printed on

If this happens, perform manual cleaning. We recommend carrying out periodic head cleaning.

### RELATED LINKS

---

- P. 144 "Manual Cleaning"
- 

## Is the humidity of the room too low?

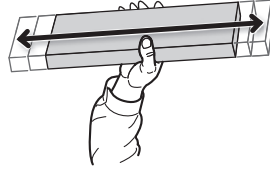
Use the machine in an environment with a humidity of 35 to 80%RH (no condensation).

# Colors Are Unstable or Uneven

## Did you shake the ink cartridges before installing them?

Shake new ink cartridges 50 times (about 20 seconds) before you install them.

Every day before starting work, remove the white ink cartridge, shake it 50 times (about 20 seconds), and then reinsert it.



## Has the printer been used continuously for a long time?

If, during use, the white ink concentration becomes low, use the [CIRCULATE INK] function.

### RELATED LINKS

---

- P. 151 "Circulating the Ink to Clear Precipitation"
- 

## Was printing paused partway through?

When printing is paused, the coloring at the seam may be altered when printing resumes. Avoid pausing printing. By default, printing pauses when ink remaining inside the machine runs out. Printing may also pause when data is not sent from the computer quickly enough. We recommend not performing any other tasks with the computer while printing is in progress.

## Is the printer installed in a level and stable location?

Never install the machine in a location where it is tilted or where it may wobble or experience vibration. These factors may lead to dot-dropout or reduced printing quality.

## Is the printer set to pause during printing for cleaning?

If time is set in the [PERIODIC CL.] menu setting, cleaning may start by pausing ongoing printing. When printing pauses, the printed colors may be uneven. Set the [PERIODIC CL.] menu setting to [NONE] or [PAGE].

### RELATED LINKS

---

- P. 76 "Preventing Soiling of the Object to Be Printed On and Dot Drop-out"
- 

## Is the printer being used in a location subject to severe changes in the operating environment?

Large fluctuations in temperature or humidity while printing is in progress may cause the colors to change partway through the printing. When printing, use the machine in a location where the temperature and humidity are stable.

## Are the settings for the [PRESET] menu item appropriate?

If the settings selected with the [PRESET] menu item are not suitable for the type of object to be printed on, printing may be adversely affected. Select settings appropriate for the object to be printed on.

# 2. Machine Problems

---

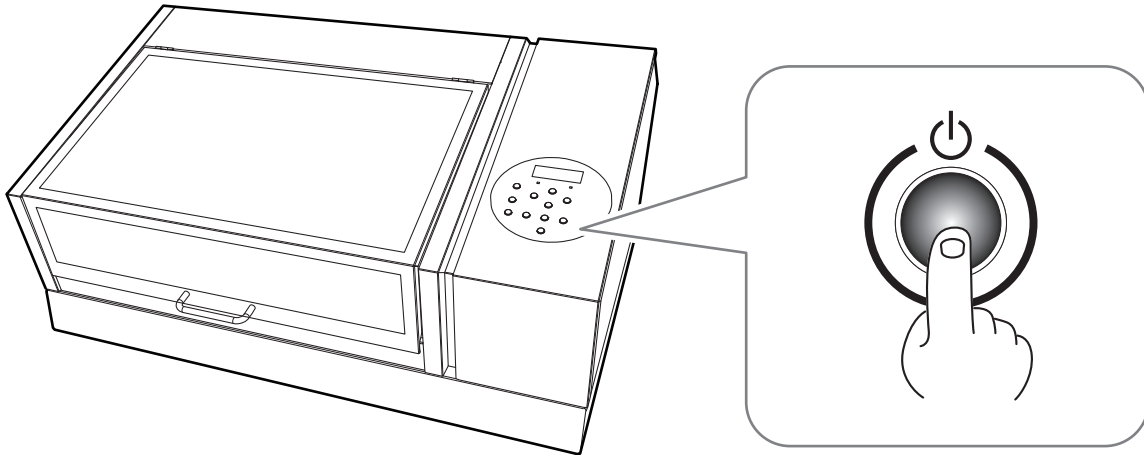
The Print Heads Do Not Move .....	183
What to Do First.....	183
If the Heads Still Do Not Move .....	183
The Printer Unit Does Not Run .....	184
Is the power switched on?.....	184
Is [SETUP] lit? .....	184
Are any covers open?.....	184
Is the top menu displayed?.....	184
Is [PAUSE] lit? .....	184
Has the ink run out? .....	184
Is a message displayed on the screen? .....	185
Are the cables connected? .....	185
Is the status LED for the LAN cable connector lit in green? .....	185
Are the LAN settings correct? .....	185
Did the software RIP end abnormally? .....	185
Is the temperature of the room too low? .....	185
The Flat Table Does Not Move .....	186
Is something stuck in one of the movable components inside of the machine?.....	186
Are any covers open?.....	186
The Head Gap Sensor Does Not Detect the Object to Be Printed on.....	187
Is something covering the head gap sensor or has it attracted dust? .....	187
It Is Not Possible to Check the Amount of Discharged Fluid in the Drain Bottle .....	188
Is ink splattered around the inside of the drain bottle? .....	188

# The Print Heads Do Not Move

If the print-head carriage stops over the flat table, take action immediately to prevent the heads from drying out.

## What to Do First

Switch the sub power off and then back on again. If the print heads move to the home position (inside the panel cover), it means the operation has ended successfully.



## If the Heads Still Do Not Move

Try switching off the main power, then switching on the main power again, followed by the sub power.

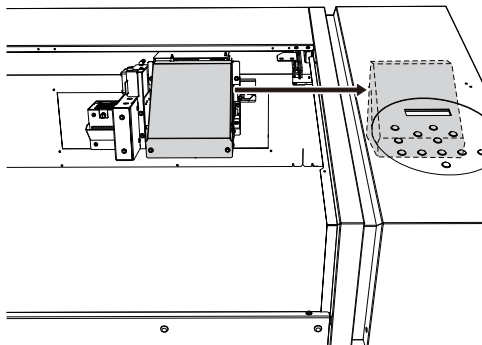
## If the Heads Still Do Not Move

If the heads still do not move, carry out the following emergency response measure, and then contact your authorized Roland DG Corporation dealer.

### Procedure

1. Switch off the main power, and then open the front cover.
2. Gently move the print-head carriage to the home position by hand.

Stopping at the place where the audible click is heard locks the print-head carriage in place.



3. Close the front cover.



# The Printer Unit Does Not Run

## Is the power switched on?

Switch on the printer's main power, and then press the sub power switch and make sure the sub power switch lights.

### RELATED LINKS

- P. 23 "Turning the Power On"

## Is [SETUP] lit?

Printing is only performed when [SETUP] is lit. Complete up to setting the printer area, close the front cover, and press [ENTER].

### RELATED LINKS

- P. 44 "Step 2: Start Printing"

## Are any covers open?

Close the front cover and the panel cover.

## Is the top menu displayed?

If the top menu is not displayed, output will not start even when data is sent from the computer. To go to the top menu (shown below), press [MENU] and then press [◀].



```
W: 508mm L: 330mm
H: 100.0mm
```

If a message is displayed, perform the operation prompted by the displayed message.

### RELATED LINKS

- P. 190 "Messages"
- P. 193 "Error Messages"

## Is [PAUSE] lit?

When [PAUSE] is lit, operation is paused. To resume, press [PAUSE]. [PAUSE] turns off and printing resumes.

### RELATED LINKS

- P. 56 "Pausing and Resuming Printing"

## Has the ink run out?



```
1  2■■ 3■■■ 4■■■■
5■■■■ 6■■■■■
```

When data is sent while the screen shown in the figure is displayed, a message appears and a warning beep sounds. At the same time, operation pauses. The number of the cartridge that ran out of ink flashes. When the ink cartridge is replaced with a new one, output resumes.

### RELATED LINKS

- P. 116 "How to Replace the Ink Cartridge"

## Is a message displayed on the screen?

### RELATED LINKS

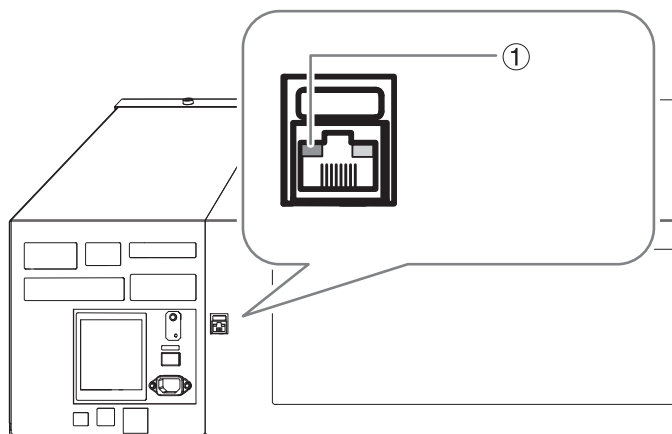
- P. 190 "Messages"
- P. 193 "Error Messages"

## Are the cables connected?

Connect the cable securely.

## Is the status LED for the LAN cable connector lit in green?

If the status LED (①) for the LAN cable connector is not lit in green, the network connection has not been made correctly. Check whether or not the network routing is appropriate. Try connecting the computer and the machine to the same hub or connecting them directly using a crossover cable. If this makes it possible to perform output, it means the problem is in the network itself.



## Are the LAN settings correct?

If printing is not possible even though the link LED for the Ethernet connector is lit, make sure the IP address and other settings are appropriate. The settings on both the machine and the computer must be appropriate. Redo the settings, checking to ensure that the IP address does not conflict with the IP address for another device on the network, that the port setting for the software RIP specifies the IP address set on the machine, that the settings have no typing errors, and for other such problems.

## Did the software RIP end abnormally?

Make sure the software RIP is running correctly, and then switch the sub power switch off and back on.

## Is the temperature of the room too low?

Use the machine in an environment with an ambient temperature of 20 to 32°C (68 to 90°F).

# The Flat Table Does Not Move

---

## **Is something stuck in one of the movable components inside of the machine?**

Check whether or not something is catching or stuck and interfering with operation.

## **Are any covers open?**

Close the front cover and panel cover during startup and printing. If any cover is open while starting up or printing, the flat table cannot be moved for your safety.

# The Head Gap Sensor Does Not Detect the Object to Be Printed on

---

## Is something covering the head gap sensor or has it attracted dust?

Check whether something is interfering with the head gap sensor's detection.

# It Is Not Possible to Check the Amount of Discharged Fluid in the Drain Bottle

---

## Is ink splattered around the inside of the drain bottle?

If ink is splattered around the inside of the drain bottle, it may not be possible to check how much discharged fluid the bottle contains.

### RELATED LINKS

---

- P. 122 "If the Contents of the Drain Bottle Are Not Visible"
-

# 3. Messages on the Operation Panel

---

Messages .....	190
1 ■ 2 ■ 3 ■ 4 ■ 5 ■ 6 ■ 7 ■ 8 ■ .....	190
PRESS THE POWER KEY TO CLEAN .....	190
CIRCULATING INK .....	190
SHAKE WHITE INK CARTRIDGE .....	190
FINISHED PRINT .....	190
SET/REMOVE CARTRIDGE .....	190
CLOSE XXX COVER DRY-UP MAY DAMAGE THE HEAD .....	190
CLOSE XXX COVER .....	190
SET/REMOVE CL-LIQUID .....	191
READJUST TABLE HEIGHT .....	191
DO HEAD REFRESH .....	191
INSTALL DRAIN BOTTLE .....	191
EMPTY DRAIN BOTTLE .....	191
SETUP MEDIA .....	191
TIME FOR FILTER REPLACE .....	191
TIME FOR WIPER REPLACE .....	191
TIME FOR MAINTENANCE .....	192
Error Messages .....	193
AREA TOO SMALL CONTINUE? .....	193
PRINT AREA TOO SMALL .....	193
CANCELED FOR TABLE HEIGHT .....	193
CHECK TABLE HEIGHT .....	193
CHECK HEIGHT OF HEAD REFRESHER .....	193
TEMPERATURE IS TOO HIGH **°C .....	194
TEMPERATURE IS TOO LOW **°C .....	194
DATA ERROR CANCELING... .....	194
INK SHELF LIFE EXPIRE 123456 .....	194
WRONG CARTRIDGE .....	194
WRONG HEAD IS INSTALLED .....	194
AVOIDING DRY-UP TURN POWER OFF .....	194
MOTOR ERROR TURN POWER OFF .....	195
CANCELED FOR MOTOR PROTECTION .....	195
SERVICE CALL **** .....	195

# Messages

These are the main messages that appear on the machine's display to prompt correct operation. They do not indicate any error. Follow the prompts and take action accordingly.

## 1 ■ 2 ■ 3 ■ 4 ■ 5 ■ 6 ■ 7 ■ 8 ■

**Only a small amount of ink remains.**

Replace the ink cartridge indicated by the flashing number with a new cartridge.

## PRESS THE POWER KEY TO CLEAN

**This message appears when the machine has not been used for approximately a month.**

Turn on the sub power once a month.

## CIRCULATING INK

**White ink is being circulated inside the machine. This action is automatically performed to clear the white ink precipitation.**

Wait until the displayed message changes.

## SHAKE WHITE INK CARTRIDGE

**This message appears when an action is selected under "ACTION" (including "CIRCULATE") in the start timer settings.**

Remove the white ink cartridge, shake it 50 times (about 20 seconds) with a stroke length of around 5 cm (2 in.) from each end, and then reinsert it. Afterwards, press [ENTER] to switch off the sub power.

### RELATED LINKS

---

- P. 123 "Maintenance of Ink Cartridges"
  - P. 92 "Setting the Start Timer"
- 

## FINISHED PRINT

**Printing is finished.**

Press [ENTER].

## SET/REMOVE CARTRIDGE

**This message appears at times such as during ink cartridge replacement.**

Insert or remove the ink cartridge indicated by the flashing number.

## CLOSE XXX COVER DRY-UP MAY DAMAGE THE HEAD

**The front cover or panel cover is open.**

Close the front cover or panel cover or both. If the message is left displayed, the print heads may get dry, resulting in malfunction.

## CLOSE XXX COVER

**The front cover or panel cover is open when setting the start timer.**

Close the front cover or panel cover or both. If the message is left displayed, setting the timer will not be completed.

### RELATED LINKS

---

- P. 92 "Setting the Start Timer"
-

---

## SET/REMOVE CL-LIQUID

These messages appear at times such as during head cleaning.

Insert or remove the SOL INK cleaning cartridge into the slot(s) indicated by the flashing number.

## READJUST TABLE HEIGHT

During printing, the object to be printed on came into contact with the head gap sensor, but [CLEARANCE MODE] is set to "RE-ADJ", so the object height was reset automatically and printing was performed to completion.

After verifying the message, press [ENTER].

---

### RELATED LINKS

- P. 63 "Determining the Maximum Value (Threshold) for Automatic Height Adjustment"
- 

## DO HEAD REFRESH

The recommend interval for head refreshing has elapsed.

The specified time has elapsed since the last head refreshing. Press [ENTER] to bring up the screen that allows you to select whether to perform head refreshing. If you select "YES" and press [ENTER], the head refreshing menu appears. Perform head refreshing.

---

### RELATED LINKS

- P. 133 "Head Refreshing Method"
- 

## INSTALL DRAIN BOTTLE

Check whether the drain bottle is installed.

Install the drain bottle, and then press [ENTER].

## EMPTY DRAIN BOTTLE

This message appears when a certain amount of discharged fluid collects in the drain bottle.

When this message is displayed, discard the discharged fluid.

## SETUP MEDIA

This message appears when an attempt to perform a printing test was made while no object to be printed on was loaded.

Reload the object to be printed on and press [SETUP].

## TIME FOR FILTER REPLACE

It is now time to replace the filter used for the mist fan that adjusts scattering of ink mist.

After verifying the message, press [ENTER]. Then immediately replace the filter.

---

### RELATED LINKS

- P. 173 "Replacing the Filter"
- 

## TIME FOR WIPER REPLACE

It is time to replace the wipers.

After verifying the message, press [ENTER]. Then immediately replace the wipers.



## Messages

---

### RELATED LINKS

---

- P. 169 "Replacing the Wipers and Wiper Cleaner"
- 

### TIME FOR MAINTENANCE

**It is time to perform manual cleaning.**

After verifying the message, press [ENTER], and then perform manual cleaning.

### RELATED LINKS

---

- P. 144 "Manual Cleaning"
-

# Error Messages

This section describes the error messages that may appear on the machine's display, and how to take action to remedy the problem. If the action described here does not correct the problem or if an error message not described here appears, contact your authorized Roland DG Corporation dealer.

## AREA TOO SMALL CONTINUE?

**The size of the data is larger than the print area of the loaded object to be printed on.**

To continue printing without correcting this, press [ENTER]. The portion extending beyond the print area will not be printed. To stop printing, stop sending data from the computer and hold down [SETUP] for one second or longer. Make the print area wider by replacing the object to be printed on with a larger object or by changing the position of the object, then send the data again.

## PRINT AREA TOO SMALL

**The size of the test print is larger than the print area of the loaded object to be printed on.**

Press any key on the operation panel to go back to the main menu. Make the print area wider by replacing the object to be printed on with a larger object or by changing the position of the object, then redo the test printing.

## CANCELED FOR TABLE HEIGHT

**The object to be printed on was detected in a position (at a height) at which it hits the print heads.**

Press any key (except the sub power switch) on the operation panel, and the message disappears. If the setup of the object to be printed on is completed, the setup is canceled. Redo the setup.

### RELATED LINKS

---

- P. 44 "Step 2: Start Printing"
  - P. 59 "Adjusting the Height"
- 

## CHECK TABLE HEIGHT

**The object to be printed on was detected in a position (at a height) at which it hits the print heads.**

Remove the object to be printed on (remove the cause of the failure) or change its position. After verifying the message, press [ENTER].

### RELATED LINKS

---

- P. 44 "Step 2: Start Printing"
  - P. 59 "Adjusting the Height"
- 

## CHECK HEIGHT OF HEAD REFRESHER

**The possibility of the print heads colliding into the head refresher (or other obstacle) when they move for head refreshing is detected.**

Press [ENTER] to clear the message.

The jig may be in the way or it may not have been attached correctly. Correctly reattach the head refresher by removing the jig or reviewing how the jig is attached. Then, perform head refreshing again.

### RELATED LINKS

---

- P. 133 "Head Refreshing Method"
-

### TEMPERATURE IS TOO HIGH \*\*°C

**The temperature of the location where the machine is installed has risen above the ambient temperature at which the machine can operate**

Operation cannot be continued. Turn off the sub power. The displayed temperature is the current ambient temperature of the installation location. Bring the installed location to a temperature at which operation is possible (20 to 32°C or 68 to 90°F) and allow the machine to come to room temperature, and then turn on the power.

### TEMPERATURE IS TOO LOW \*\*°C

**The temperature of the location where the machine is installed has fallen below the ambient temperature at which the machine can operate**

Operation cannot be continued. Turn off the sub power. The displayed temperature is the current ambient temperature of the installation location. Bring the installed location to a temperature at which operation is possible (20 to 32°C or 68 to 90°F) and allow the machine to come to room temperature, and then turn on the power.

### DATA ERROR CANCELING...

**Output was stopped because a problem was found in the data received**

Operation cannot be continued. Check whether or not there is an error in the data. Check for a problem with the connector cable or the computer, and redo the operation from setting up the object to be printed on.

### INK SHELF LIFE EXPIRE 123456

**One of the ink cartridges is expired.**

The numbers of the cartridges whose ink has exceeded its shelf life flash. After pressing [ENTER], replace the cartridge indicated by the flashing number.

This message is displayed when the sub power is turned on for the first time after the ink has expired. A buzzer sounds at the same time the message is displayed.

You can still continue to use the printer without replacing the ink cartridge. However, continuing to use an ink cartridge that has exceeded its shelf life may lead to the following problems and malfunction.

- Ink leaks from the ink cartridge.
- The ink viscosity increases, leading to ink discharge issues (which may result in decreased output quality).
- The ink hardens, leading to printer malfunctions.

We recommend that you replace any expired ink cartridges. For information about purchasing ink cartridges, contact your authorized Roland DG Corporation dealer or visit our website (<http://www.rolanddg.com/>).

### WRONG CARTRIDGE

**A cartridge that cannot be used was installed.**

Remove the ink cartridge to clear the error. Use an ink cartridge of the specified type.

### WRONG HEAD IS INSTALLED

**An unusable print head has been installed.**

Turn off the sub power. After turning the power off, contact your authorized Roland DG Corporation dealer.

### AVOIDING DRY-UP TURN POWER OFF

**The print heads were forced to standby position to prevent them from drying out**

Operation cannot be continued. Switch the sub power off, and then back on. Opening the front cover while printing is in progress causes an emergency stop. Never allow the print heads to remain in this state.

---

## MOTOR ERROR TURN POWER OFF

### A motor error occurred

Operation cannot be continued. Turn off the sub power. Next, eliminate the cause of the error, then immediately switch on the sub power. If the machine is allowed to stand with the error uncorrected, the print heads may dry out and become damaged. This error may be caused by the object to be printed on being set incorrectly.

## CANCELED FOR MOTOR PROTECTION

**An attempt was made to perform one of the following operations (menu items) immediately after performing another one.**

- PUMP UP
- HEAD WASH
- INK RENEWAL
- POWERFUL CL.
- Filling with ink

Press any key other than the sub power switch to cancel the error message.

When performing these menu items sequentially, this error message may appear in order to prevent malfunctions due to the overheating of the pump motor. In this case, allow the machine to stand for approximately 10 minutes before resuming operation.

## SERVICE CALL \*\*\*\*

**An unrecoverable error occurred, or part replacement that must be performed by a service technician is required**

Note the number displayed on the display screen, and then switch off the sub power. After you switch off the power, inform your authorized Roland DG Corporation dealer of the number that appeared on the display.

# Chapter 6 Appendix

# 1. Operations When Moving the Unit

---

Moving the Unit .....	198
Step 1 : Cleaning All Print Heads.....	198
Step 2: Securing the Print Heads and the Flat Table Using Retainers .....	201
Step 3: Reinstalling the Machine .....	202

# Moving the Unit

Before moving the machine, dispose of the discharged fluid and secure the print heads in place. Attempting to move the machine without first performing these preparations may result in damage to internal components due to leaking ink or damage to the print heads.

## IMPORTANT

- Once the preparations for moving the machine are complete, move the machine promptly and turn on the machine as soon as possible after the machine is relocated. If you leave the machine alone without turning it on, the precipitated ink will coagulate and result in problems such as the clogging of the print heads.
- When moving the machine, keep it at a temperature from 5 to 40°C (41 to 104°F) and at a humidity from 20 to 80% (with no condensation). Failure to do so may result in a breakdown.
- Handle the machine with care when moving it, keeping it level (not tilted at an angle) and preventing it from striking other objects.


## MEMO


### Items Required for This Work


- New SOL INK cleaning cartridges: 6 (4 for cleaning and 2 for ink filling)


## Step 1 : Cleaning All Print Heads

### Procedure

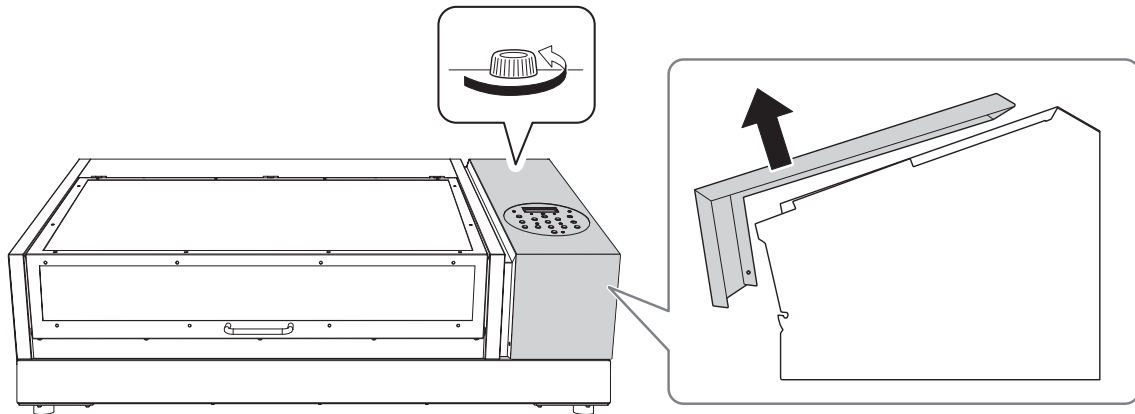
1. Press [MENU].
2. Press [▼] to display the screen shown below.  


```
MENU      ◀◆
SUB MENU  ▶
```
3. Press [▶].
4. Press [▼] several times to display the screen shown below.  


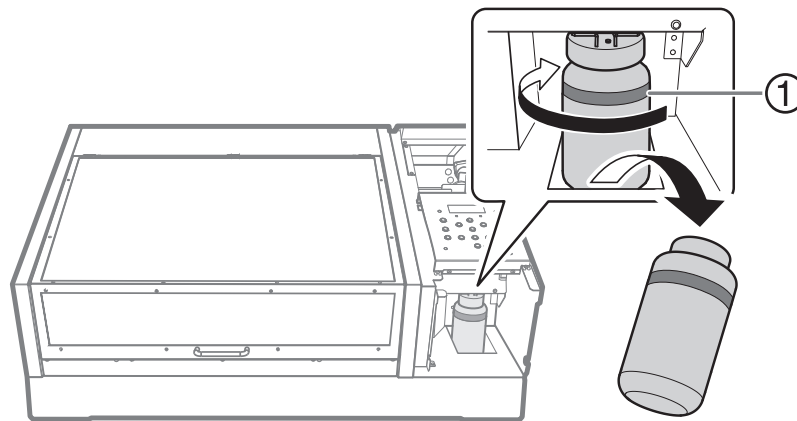
```
SUB MENU  ◀◆
INK CONTROL ▶
```
5. [▶]
6. Press [▶] once, and then press [▼] several times to display the screen shown below.  


```
INK CONTROL ◀◆
HEAD WASH  ↵
```
7. Make sure the cleaning liquid is ready.
8. Press [ENTER].  


```
EMPTY      ◀
DRAIN BOTTLE ↵
```
9. Open the panel cover.



**10.** Remove the drain bottle and discard the discharged fluid.



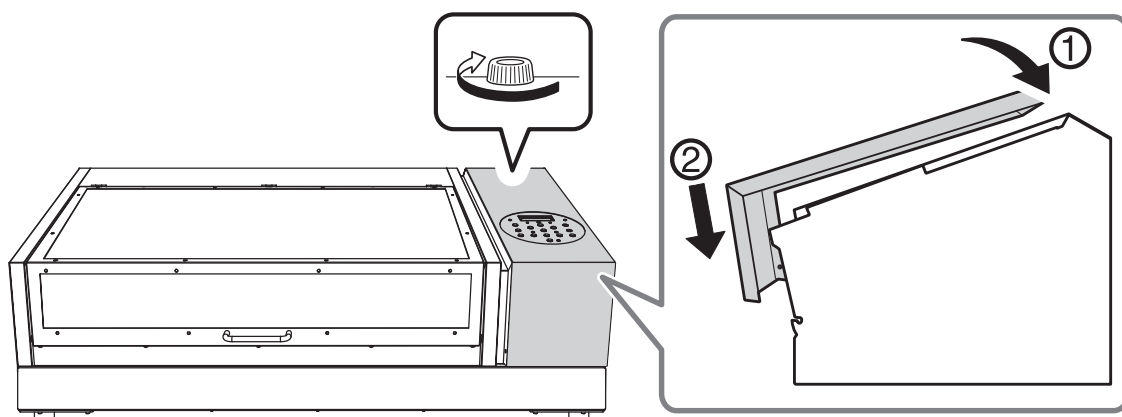
①: Upper limit. Discard the discharged fluid before this line is passed.

**IMPORTANT**

When you remove the drain bottle, a few drops of discharged fluid may come out of the machine. Exercise caution to prevent this fluid from soiling your hands.

**11.** Quickly attach the emptied drain bottle to the machine once more.

**12.** Close the panel cover.



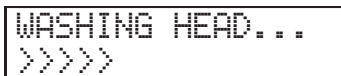
**IMPORTANT**

The following operations will discharge large amounts of fluid. If you do not empty the drain bottle, the discharged fluid may overflow.

**13.** Press [ENTER].

The screen shown below appears.





WASHING HEAD...  
>>>>

- 14.** Thereafter, follow the on-screen instructions to carry out the operations.  
After cleaning has finished, the sub power is automatically switched off.

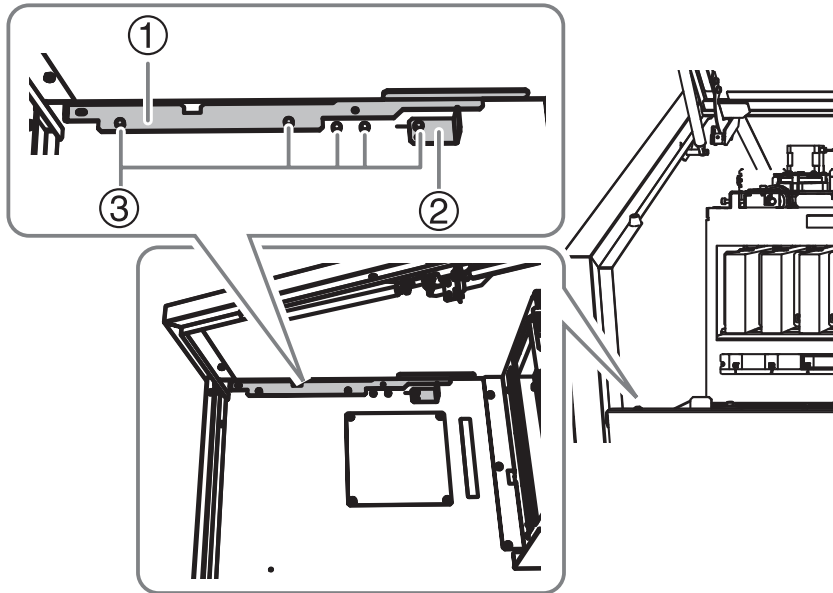
## Step 2: Securing the Print Heads and the Flat Table Using Retainers

Use the retainer that was attached to the inside of the machine during its installation.

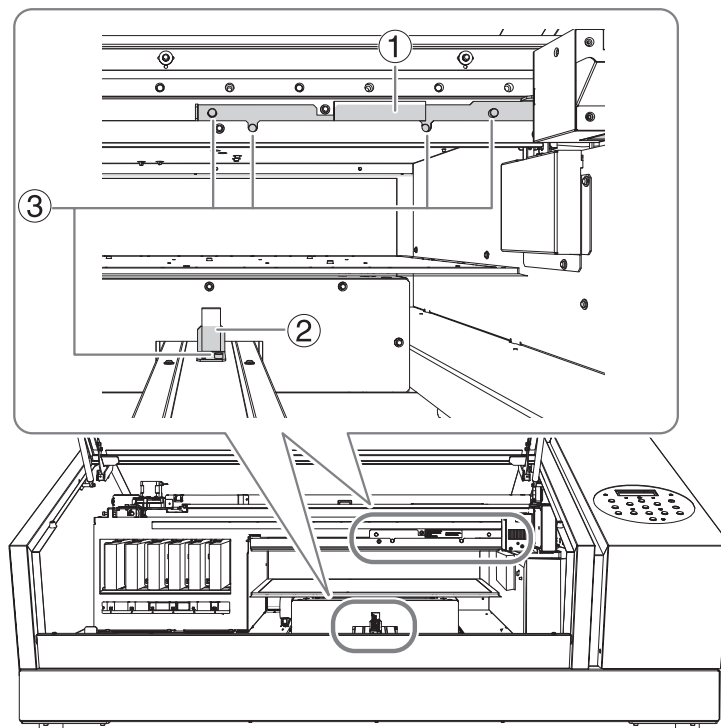
### Procedure

1. Remove the stored retainers A (①) and B (②).

Make sure to remove all five retaining screws (③).



2. Using the five retaining screws (③), secure the print heads with retainer A (①) and the flat table with retainer B (②).



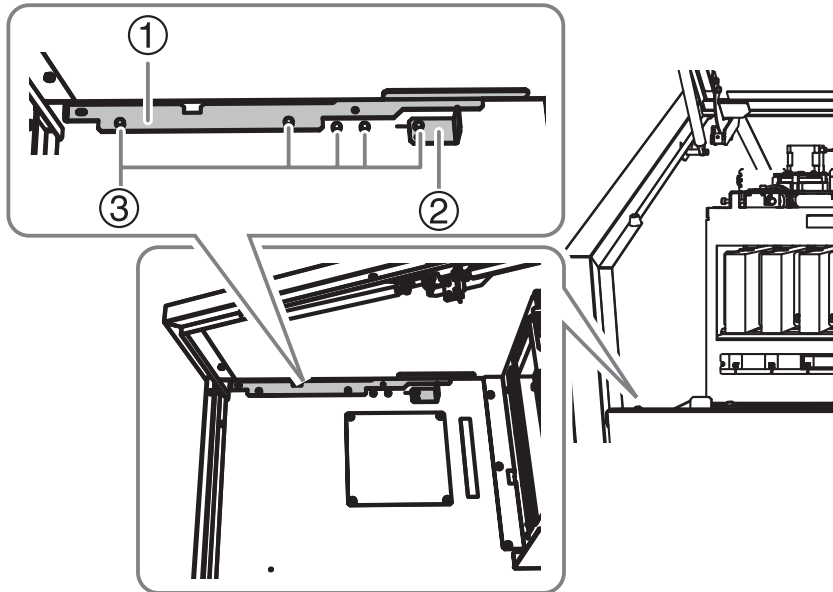
The machine is now ready to be moved.

## Step 3: Reinstalling the Machine

### Procedure

1. Once the preparations are complete, move the machine with as little delay as possible.
2. Reinstall the printer immediately, and then remove the retainer securing the print heads and flat table in place.

For storage, attach retainer A (①) and retainer B (②) using the retaining screws (③).



3. Turn on the main power switch.

### IMPORTANT

To prevent the print heads from being damaged, move the machine with as little delay as possible and switch on the main power as soon as possible after moving the machine. To install the machine again, follow the procedure in the Setup Guide.

4. Press the sub power button.

# 2. Main Specifications

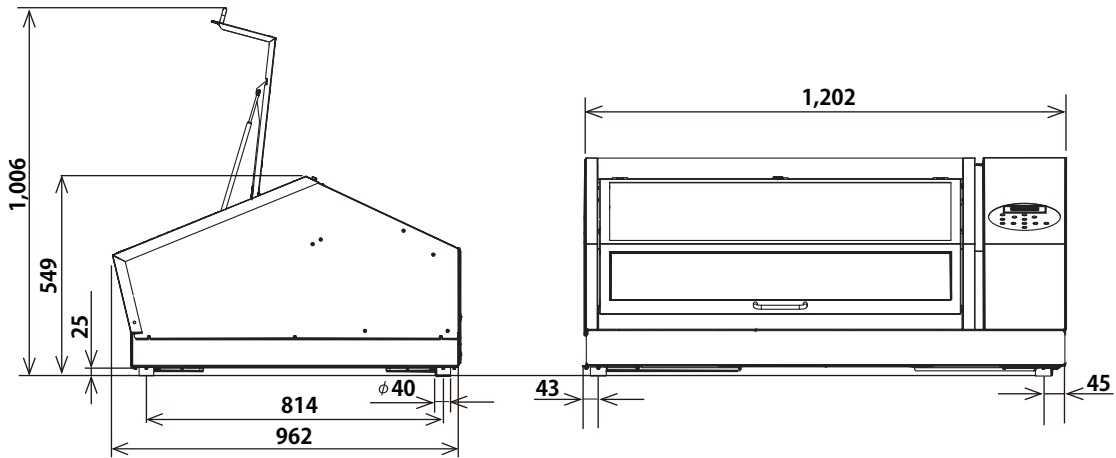
---

Dimensional Drawings .....	204
When using a jig: Hole position for head refresher .....	205
Locations of the Power Rating and Serial Number Label .....	206
Specifications .....	207

# Dimensional Drawings

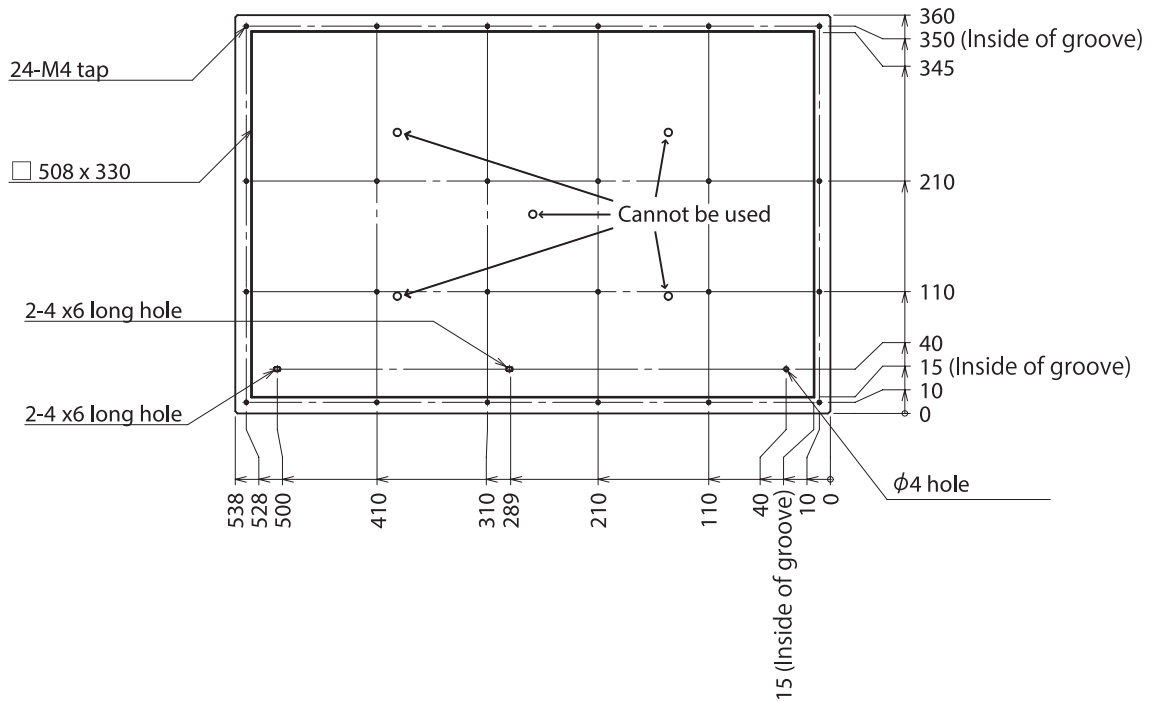
## Outer dimensions

Unit: mm



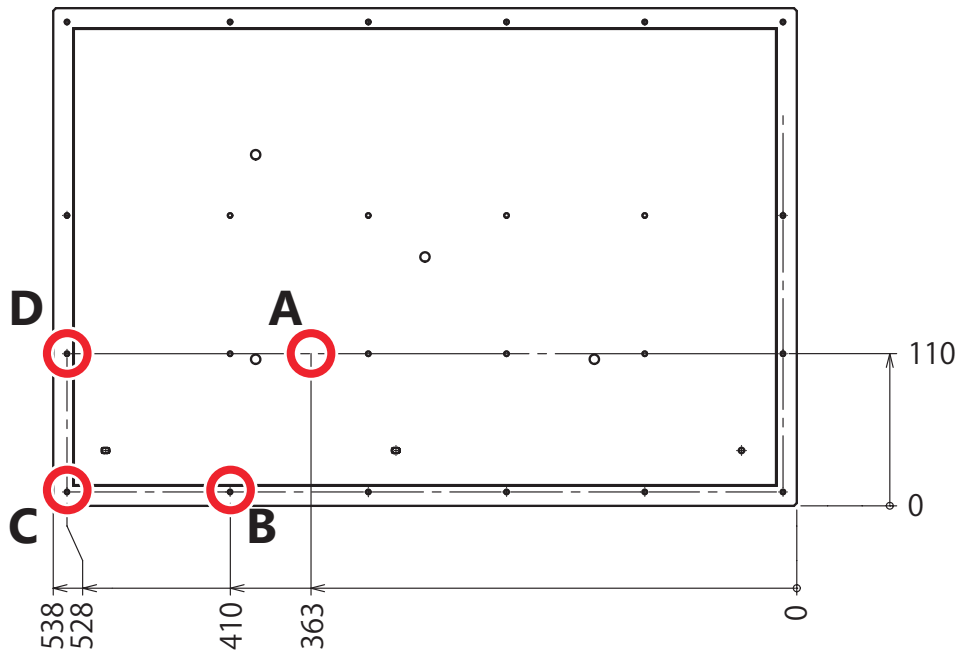
## Flat Table Dimensions

Unit: mm



**When using a jig: Hole position for head refresher**

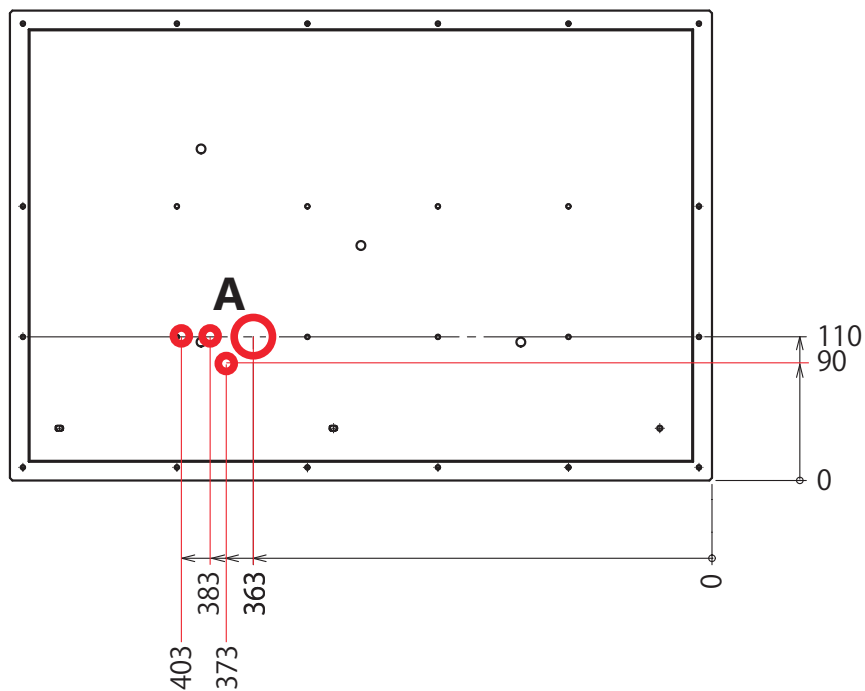
Unit: mm



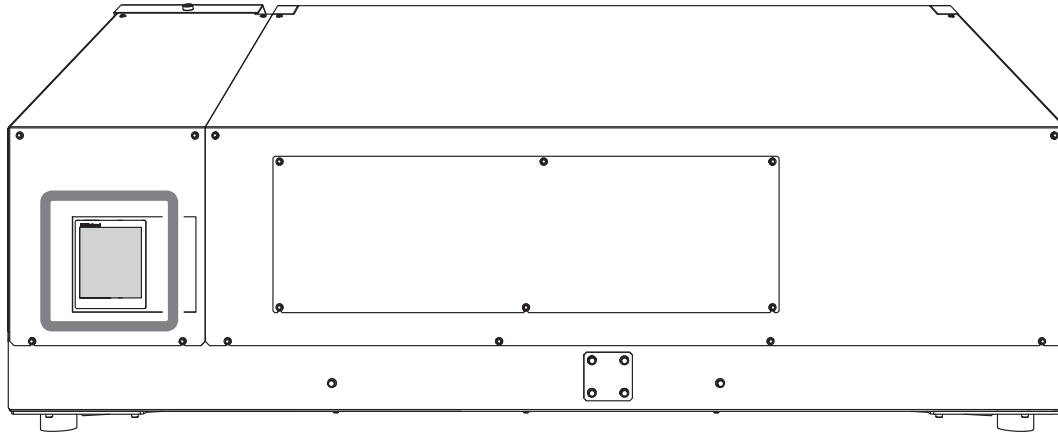
• **A, B, C, D: Left positions of head refresher**

When using a printing jig, make a hole of diameter 8 mm at the above position so that the head refresher can be attached.

The position of A can be selected from the following 4 locations.



# Locations of the Power Rating and Serial Number Label



## **Serial number**

This number is required when you seek maintenance, servicing, or support. Never remove the label.

## **Power rating**

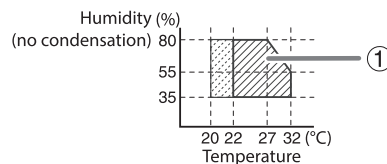
Use an electrical outlet that meets the requirements for voltage, frequency, and amperage given here.

# Specifications

		LEF2-200
Printing method		Piezo ink-jet method
Attachable objects to be printed on	Width	Max. 538 mm (21.2 in.)
	Length	Max. 360 mm (14.2 in.)
	Thickness	Max. 100 mm (3.94 in.)
	Weight	Max. 5 kg (11 lb.)
Maximum printing width/printing length		Max. 508 (width) × 330 (length) mm (20 × 13 in.)
Ink	Type	ECO-UV (EUUV, EUV4) 220 ml cartridge
	Color	Five colors (cyan, magenta, yellow, black, and white) Five colors (cyan, magenta, yellow, black, and white) and primer Six colors (cyan, magenta, yellow, black, white, and gloss)
Ink-curing unit		Built-in UV-LED lamp
Printing resolution (dots per inch)		Max. 1440 dpi
Distance accuracy*1		Error of less than ±0.3% of distance traveled or ±0.3 mm (±11.8 mil), whichever is greater
Connectivity		Ethernet (10BASE-T/100BASE-TX, automatic switching)
Power-saving function		Automatic sleep feature
Power requirements		100 VAC ± 10%, 1.8 A, 50/60 Hz
Power consumption	During operation	Approx. 149 W
	Sleep mode	Approx. 13 W
Acoustic noise level	During operation	60 dB (A) or less
	During standby	49 dB (A) or less
Outer dimensions		1,202 (W) × 962 (D) × 549 (H) mm (47.3 [W] × 37.9 [D] × 21.6 [H] in.)
Weight		110 kg (242.5 lb.)
Environment	During operation *2	Temperature: 20 to 32°C (68 to 89.6°F) (22°C (71.6°F) or higher recommended), Humidity: 35 to 80%RH (no condensation)
	Not operating	Temperature: 5 to 40°C (41 to 104°F), Humidity: 20 to 80%RH (no condensation)
Included items		Power cord, software RIP, cleaning liquid, drain bottle, user documentation, etc.

\*1 Temperature: 25°C (77°F) Humidity: 50%RH

\*2 Operating environment (Use the machine in an operating environment within the range of ①.)





# 3. MEMO

---

This product is using GNU General Public License (GPL) / GNU Lesser General Public License (LGPL) software. You have the right to acquire, modify, and distribute the source code for this GPL/LGPL software. You can obtain the GPL/LGPL source code used in this product by downloading it from the following website. See the following URL for details on the basic method for acquiring the source code.

URL:<https://www.rolanddg.com/gpl/>

Company names and product names are trademarks or registered trademarks of their respective holders.

<http://www.rolanddg.com/>

Copyright © 2019 Roland DG Corporation

FA01471

R1-190305