



OPERATING MANUAL Gfp 865DH



Please read this manual carefully before operating!

Table of Contents

Contents	Page
1. Introduction	3
2. Important Safety Instructions.....	3
3. Installation Safeguards	3
4. General Safeguards.....	4
5. Operating Conditions	5
6. Electrical Requirements.....	5
7. System Components	6
8. Control Panel	7
9. Packing List	8
10. Installation	
A. Uncrate the machine.....	9
B. Remove heat tube package.....	9
C. Remove machine from Skid.....	10
D. Assemble machine stand.....	11
E. Set Machine on stand.....	12
F. Align machine to stand.....	13
G. Install front unwind.....	14
11. Installing Heat Tube	
A. Insert heat tube.....	15
B. Connect electric wires.....	16
12. Additional Installation Items	17
13. Removing Print Hold Down Assembly.....	17
14. Inserting Rewind Shafts	17
15. Optional Rear Rewind	
A. Installing Rewind Motor Assembly.....	18
B. Operating Rewind Motor	18
16. Brake Tension Adjustment	19
17. Top Rewind Clutch Adjustment	19
18. Loading Film	19
19. Threading Film	
A. Cold PSA Film.....	20
B. Thermal Film.....	21
C. Front Unwind.....	22
20. Operation	23
21. Roller Pressure Adjustment.....	24
22. Roller Gap Adjustment.....	24
23. Pull Roller Clutch Adjustment.....	25
24. Troubleshooting	26
25. Specifications	27
26. Warranty	28

1. Introduction

Thank you for choosing a Gfp laminator. It has been designed and manufactured to provide years of continuous service. Please read this manual thoroughly before operating. Please inspect the box and the laminator for shipping damage. Damage should be brought to the attention of the delivering carrier immediately. For a list of shipping components see “Packing List” on page 9.

2. Important Safety Instructions



In this operating manual you will find important safety messages regarding the product.

Read these instructions carefully, failure to comply with the following safety procedures could result in serious injury.

WARNING Do not attempt to service or repair the laminator. Only authorized maintenance and service technicians should make repairs.

WARNING Do not connect the laminator to an electrical supply or attempt to operate the laminator until you have completely read these instructions. Maintain these instructions in a convenient location for future reference.

WARNING To guard against injury, the following safety precautions must be observed in the installation and use of the laminator

3. Installation Safeguards



- Shipping damage should be brought to the immediate attention of the delivering carrier
- Avoid locating the laminator near sources of heat or cold. Avoid locating the laminator in the direct path of forced, heated or cooled air
- The receptacle must be located near the equipment and easily accessible.



- Connect the attachment plug provided with the laminator to a suitably grounded outlet only. This machine must have reliable earth wire to ensure the safety of the machine during operations
- Contact an electrician should the attachment plug provided with the laminator not match the receptacles at your location



- Ensure that the voltages of the power supply you are using match the rated working voltages before operations. Do not use incorrect power supply

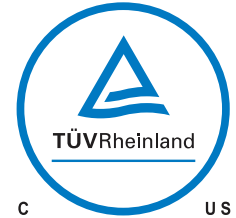


- Do not use damaged wires or sockets. If abnormal conditions occur, switch off the power supply first.



- Only a licensed electrician should install wiring and outlet for the laminator
- Do not defeat or remove electrical and mechanical safety equipment such as interlocks, shields and guards

NOTE: This equipment has been tested and found to comply with the limits for a Class A digital device, pursuant to part 15 of the FCC Rules. These limits are designed to provide reasonable protection against harmful interference when the equipment is operated in a commercial environment. This equipment generates, uses and can radiate radio frequency energy and, if not installed and used in accordance with the instruction manual, may cause harmful interference to radio communications. Operation of this equipment in a residential area is likely to cause harmful interference in which case the user will be required to correct the interference at his own expense.



Changes or modifications not expressly approved by the party responsible for compliance could void the user's authority to operate the equipment.

4. General Safeguards



- Keep hands, long hair, loose clothing, and articles such as neckties away from rollers to avoid entanglement and entrapment. The rollers have pinch points that can trap body parts or clothing and cause serious injury
- Do not use the machines for purposes other than lamination and mounting, otherwise damages to the machine or accidents may occur
- Keep out of reach of children
- Keep flammable and wet objects away from the machine.
- Do not use flammable sprays or materials when cleaning the machine
- Do not leave the machine unattended during operations.
- Do not mount metal materials or other hard objects.
- Do not put burrs, sharp blade or rigid materials in between the two rubber rollers.
- Do not attempt to laminate items that exceed total recommended material thickness of the unit.
- Do not touch the rollers when they are hot or place foreign object inside the machine.
- Do not cut adhesive films directly on the surface of the rollers to avoid damaging the rubber coating.
- Shut down the machine after laminating to avoid misusing this machine by others.
- Shut down the power before moving the machine
- Note the locations of foot wheels while moving or operating this machine to avoid injuries to your feet.



- Disconnect from the power supply before repair or maintenance.



- Disconnect from the power supply when the machine is not in use for a long time.
- When the machine lies idle for a long period of time, raise the top rubber roller to avoid the distortion of the rubber surface.
- Do not cover the surface of the machine until the machine has completely cooled.
- Perform only the routine maintenance procedures referred to in these instructions

5. Operating Conditions

- Place machine on level surface
- Environment requirements :
 - Ambient temperature: 50⁰ F - 104⁰ F
 - Humidity : 30%—80% ; ideal humidity : 55%
- Due to the static on film rolls, you should try to keep the environment clean.
- Provide enough space around machine to ensure the safe and effective operation. The minimum area covered is 8 ft. x 10 ft.
- Do not directly cut the films on the surfaces of the rubber rollers to avoid damages to the rollers.
- Do not put burrs, sharp knives or extra thick and hard materials in between the rollers. Do not leave objects like tools, rulers, knives, etc on the working panels or the side cabinets to avoid their being rolled into the machine accidentally and damaging the rollers.
- For repairs and replacements, please contact your local distributor. Unauthorized repairs and dismantling will affect future maintenances of the machines.
- The machine can laminate continuously objects less than ½” thick.
 - For objects over ½” but less than 1” thick, use the pedal switch.
- Operator should be present while machine is in operation



Warning: Do not keep the machines in direct sunshine or near it.

Do not keep the machine in dusty place or places with strong vibrations.

6. Electrical Requirements

- 220-240V 50/60 Hz Single Phase
- 24 amp
- 5760 watts

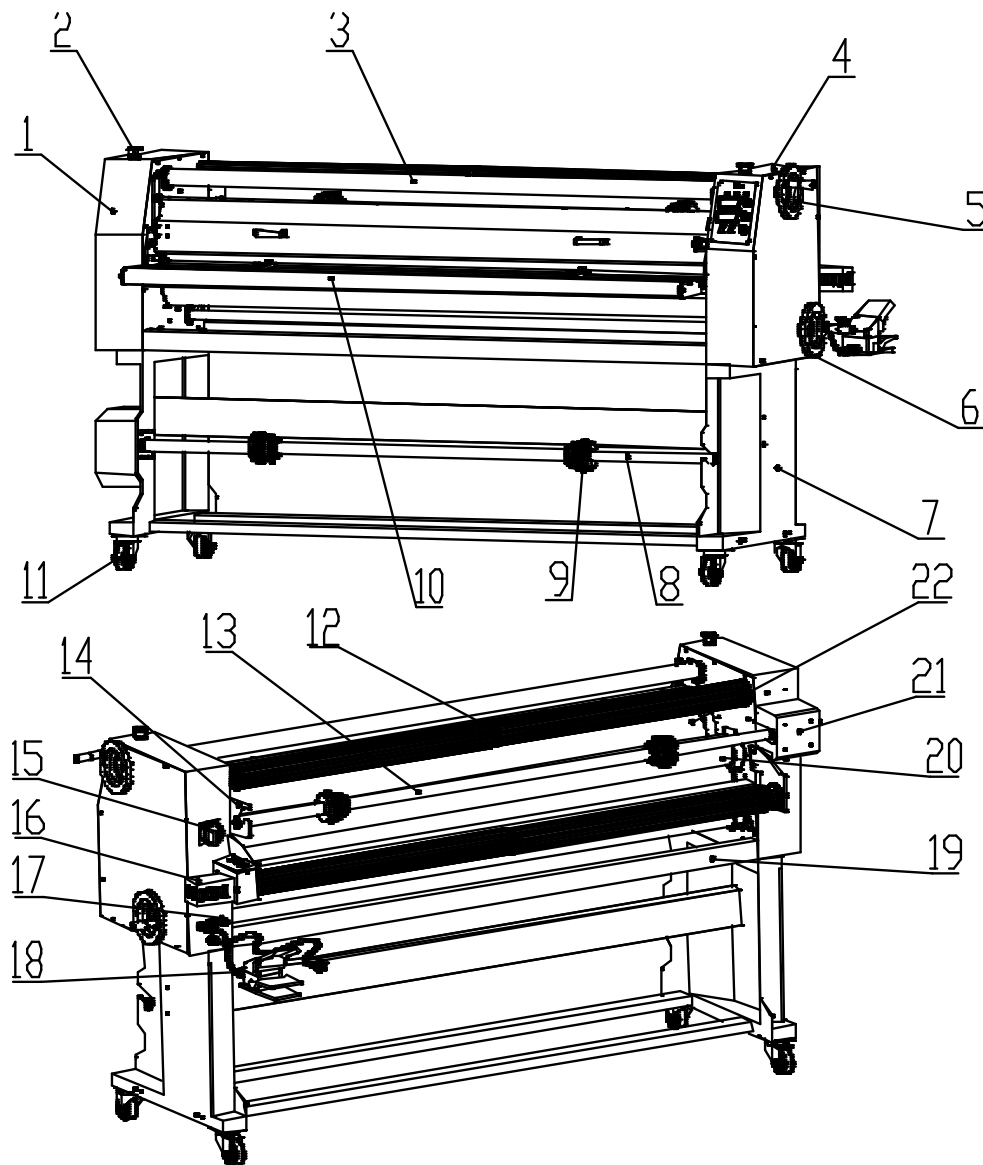


Connect the attachment plug provided with the laminator to a suitably grounded outlet only.

This machine must have reliable earth wire to ensure the safety of the machine during operations

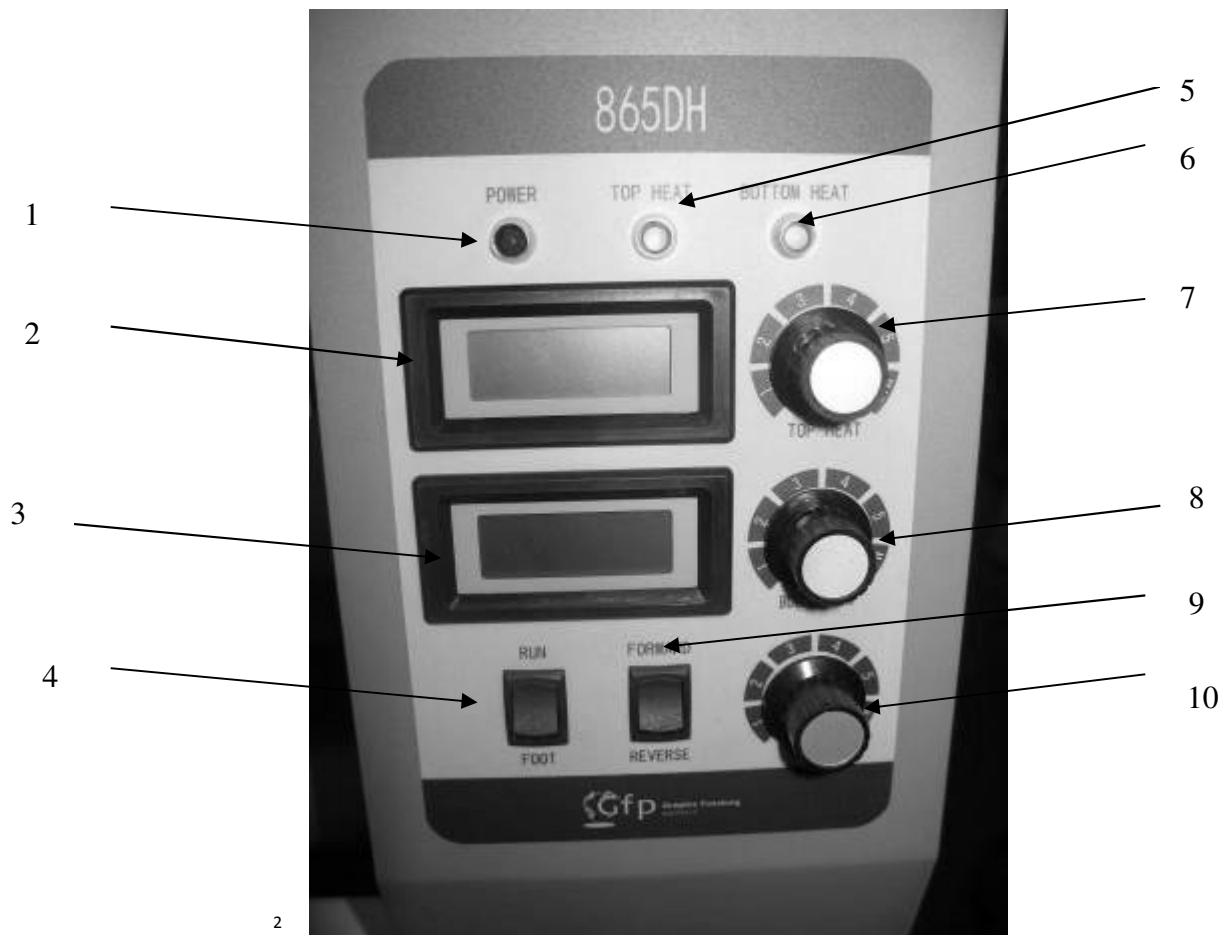
- Contact an electrician should the attachment plug provided with the laminator not match the receptacles at your location
- Ensure that the voltages of the power supply you are using match the rated working voltages before operations. Do not use incorrect power supply
- Do not use damaged wires or sockets. If abnormal conditions occur, switch off the power supply

7. System Components



- | | |
|---|------------------------------|
| 1. Left side cover | 12. Top rewind shaft |
| 2. Emergency stop switch | 13. Top Supply shaft |
| 3. Linkage shaft for pressure-adjustment | 14. Top supply shaft bracket |
| 4. Right side covert | 15. On/Off switch |
| 5. Pressure-adjust hand-wheel of front roller | 16. Rear rewind assembly |
| 6. Pressure-adjust hand-wheel of rear roller | 17. Fuse |
| 7. Stand | 18. Foot pedal |
| 8. Lower Supply shaft | 19. Rear Support beam |
| 9. Core adaptor/brake assembly | 20. Top/rear roller |
| 10. Feed tray | 21. Top swing out assembly |
| 11. Castor | 22. Top/front roller |

8. Control Panel



- | | |
|--------------------------------------|-------------------------------|
| 1. Power indicator | 6. Bottom heat indicator |
| 2. Top roller temperature display | 7. Top heater control knob |
| 3. Bottom roller temperature display | 8. Bottom heater control knob |
| 4. Run/ foot switch | 9. Forward/ reverse switch |
| 5. Top heat indicator | 10. Speed control knob |

Note:

- The machine does not have continuous reverse. Reverse can only operate using the pedal switch
- If the photo-electric eye stops the machine, wait 5 seconds, move operation switch to "Foot" then back to "Run" operation.
- Temperature control knobs include on/off switches. Full turn counter clockwise will turn heater off
- Heat indicator lights will flash RED until they reach selected temperature then turn to solid Green

9. Packing list

Remove all parts from shipping create and boxes. Inspect parts and the machine carefully. Any missing parts should be reported to the shipper.

Main Crate	Machine		Stand Box	
Part		Quantity	Part	Quantity
Main Machine		1	Cross beams	2
Swing out shaft assembly		1	Middle beam	1
Rewind tube		1	Left side stand	1
Foot Pedal		1	Right side stand	1
Heat tube		2	8 x100 hex screw	8
Media support brackets		3	Alignment bracket	2
Leveling Feet		4	5 x 8 hex screw	4
Stand anchor bolts (M10)		4	# 5 flat washer	8
Allen wrench 5mm		1	# 5 spring spacer	8
Film cutter		1	Anchor bolts (M8)	2
Operation manual		1	#8 Nut	2
8 x 20 hex screw		10	Allen wrench 4mm	1
# 8 flat washer		20	Allen wrench 6mm	1
# 8 spring spacer		20	5X16 hex screw	4
4X8 Combination screw		4	Spanner	1



10. Installation

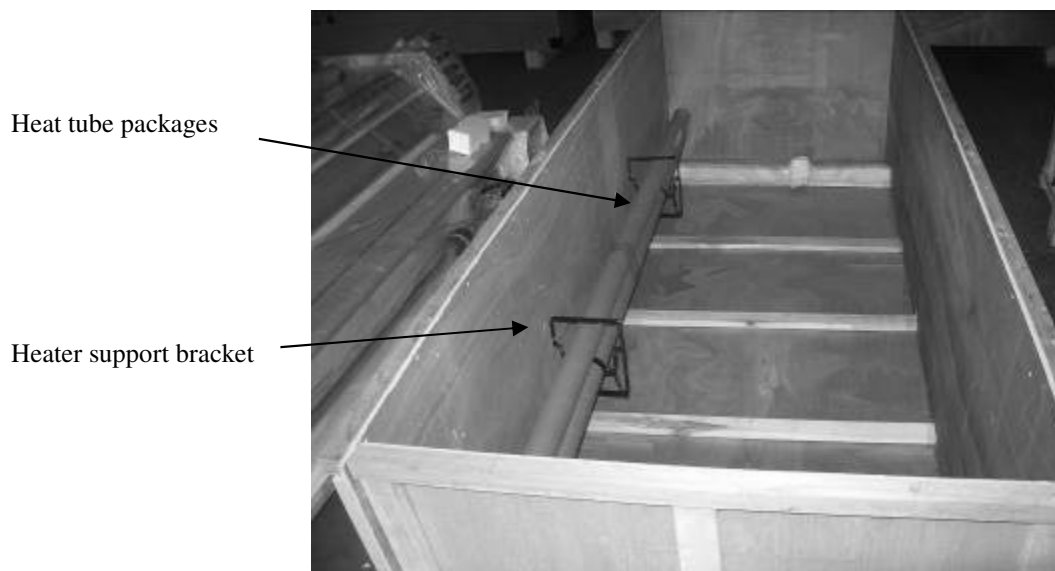
10 A. Uncrate the machine

1. Remove bolts around the base of the crate
2. Lift crate top straight up and off the skid



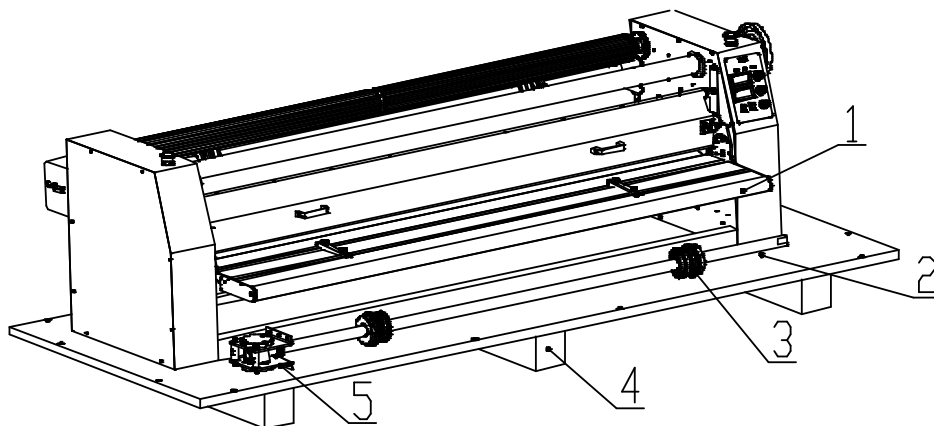
10 B. Remove heat tube packages from inside crate top

3. Remove nuts on heater support brackets that hold the cardboard tubes to the inside of the crate and remove the heater packages



10 C. Remove machine from skid

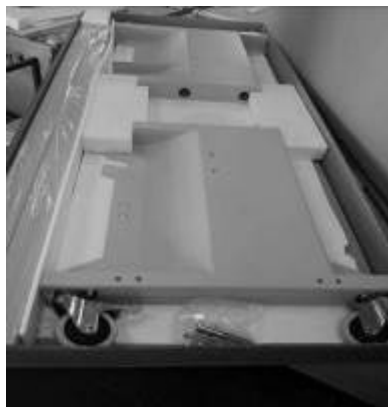
1. Remove plastic cover and accessory box.
2. Raise the In-feed table (# 1) and lock in place
3. Remove rewind tube by pushing toward the spring side
4. Remove supply shaft (# 2) from the crate base by loosening the hex bolts on core adapters and sliding to one side



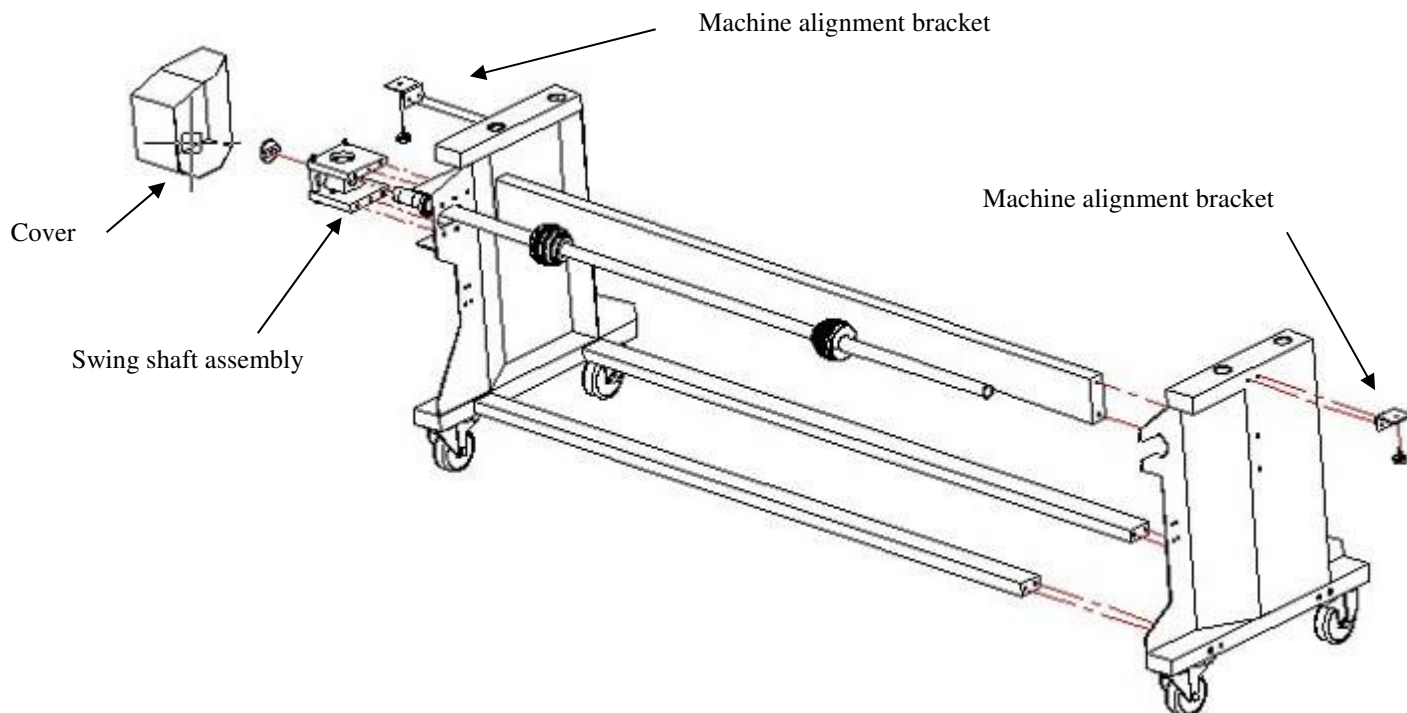
- | |
|--|
| <ol style="list-style-type: none">1. In feed table2. Top Supply mandrel3. Film core adaptor/ brake4 Shipping skid5. Swing out shaft assembly |
|--|

10 D. Assemble machine stand

1. Remove stand from shipping box
2. Bolt cross members to stand side frame
3. Larger cross member goes in the center and takes the shorter bolts
4. Use a flat washer and lock washer – Flat washer contacts the stand.



5. Remove brake assembly, thread shaft through opening in stand
6. Bolt swing shaft assembly to stand with 6 bolts
7. Bolt cover to swing shaft assembly
8. Bolt machine alignment brackets to the outside of machine stand



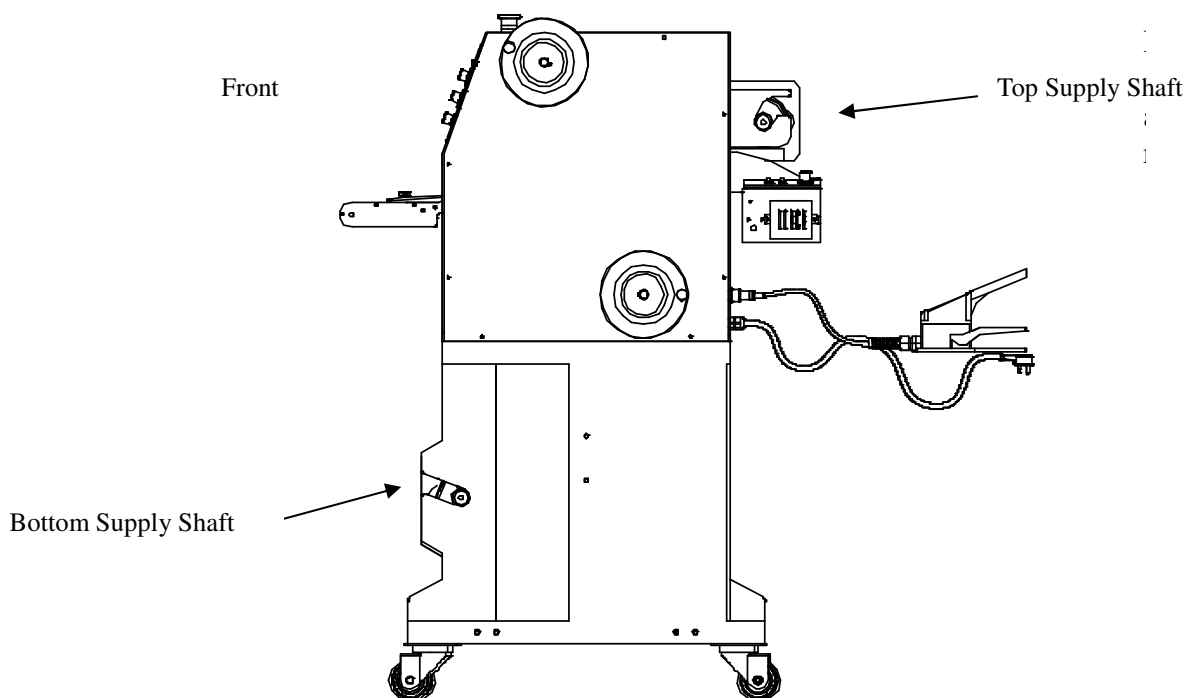
10 E. Set machine on stand

1. Remove machine from the bottom supports of the packing box
2. Lift machine onto support stand using a **FORK LIFT** and moving straps to support the machine



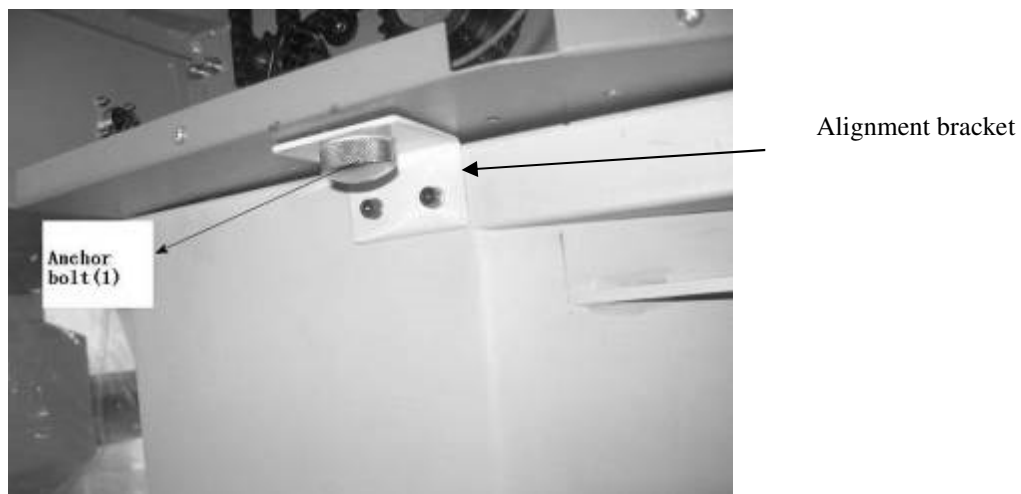
Heavy! Handle with care!!

Note Bottom Supply Shaft on stand goes to the Front of the machine

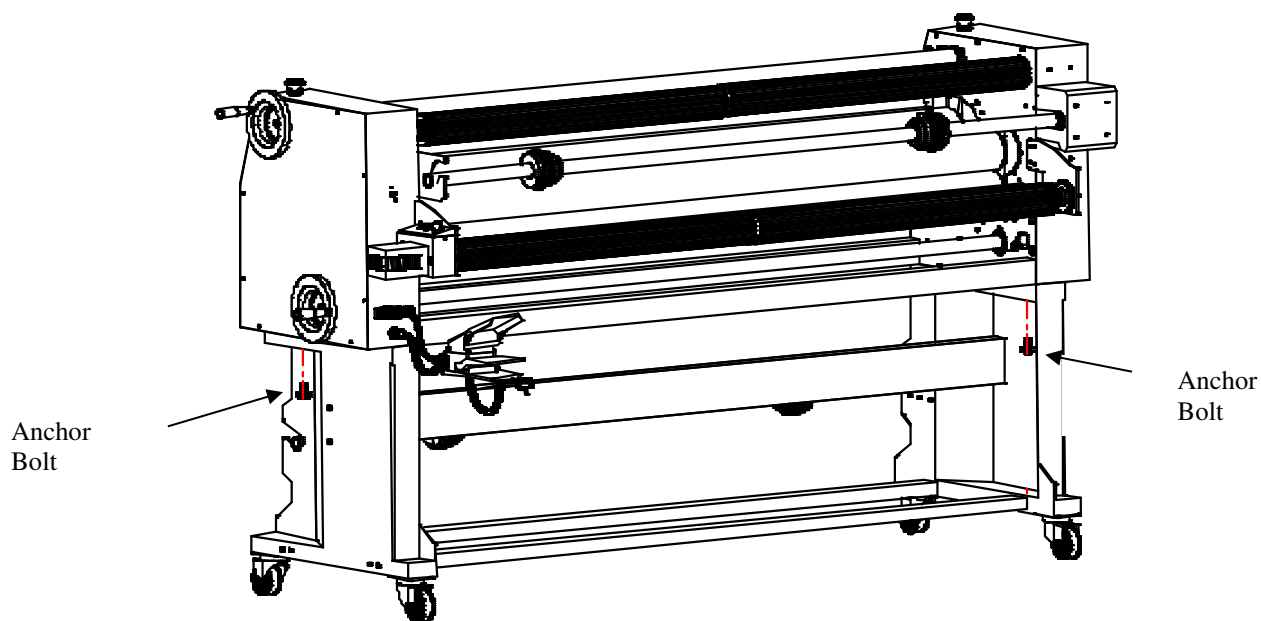


10 F. Align machine to stand

1. Attach alignment brackets to outside of both stand legs
2. Insert one alignment anchor bolt through the bracket on the outside of the stand into bottom of the machine on each side

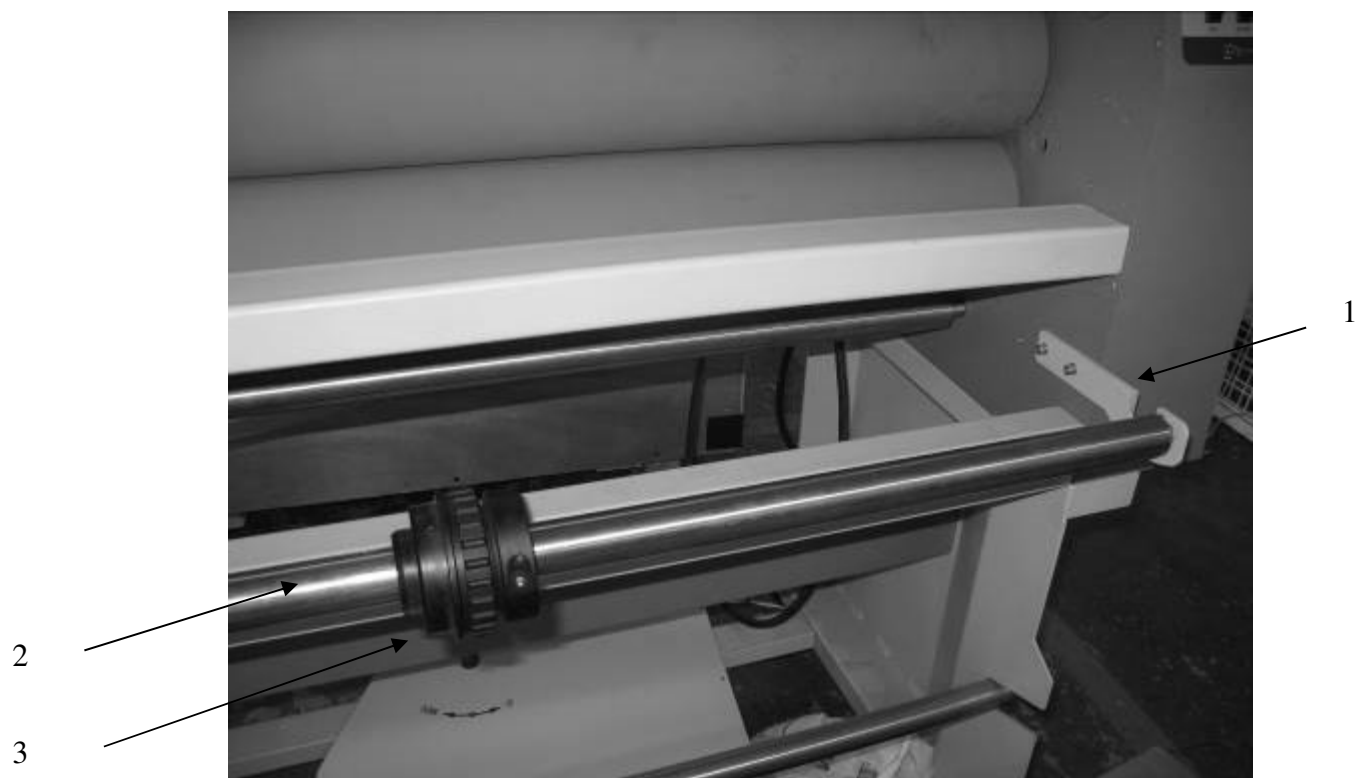


3. Insert four (4) anchor bolts through the stand into the bottom of machine



10 G. Install front unwind shaft

1. Bolt left and right supply shaft brackets inside machine frame
2. Insert Supply shaft and film core adaptors



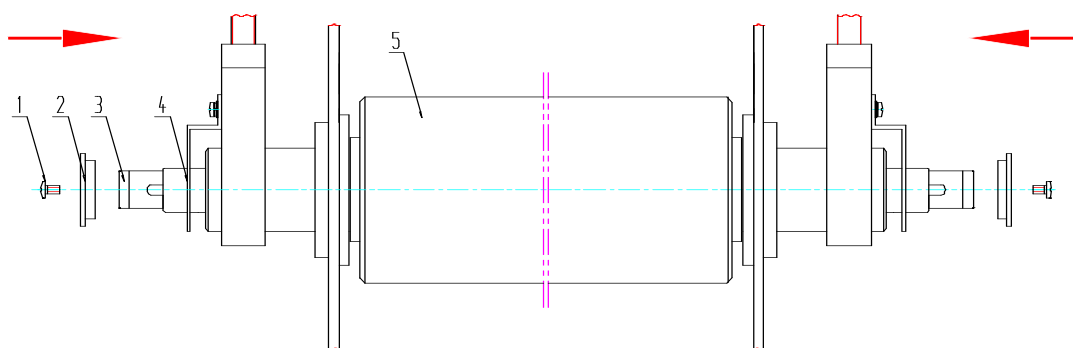
1. Supply shaft bracket
2. Supply shaft
3. Film core adaptor/ brake

11. Installing Heat Tube

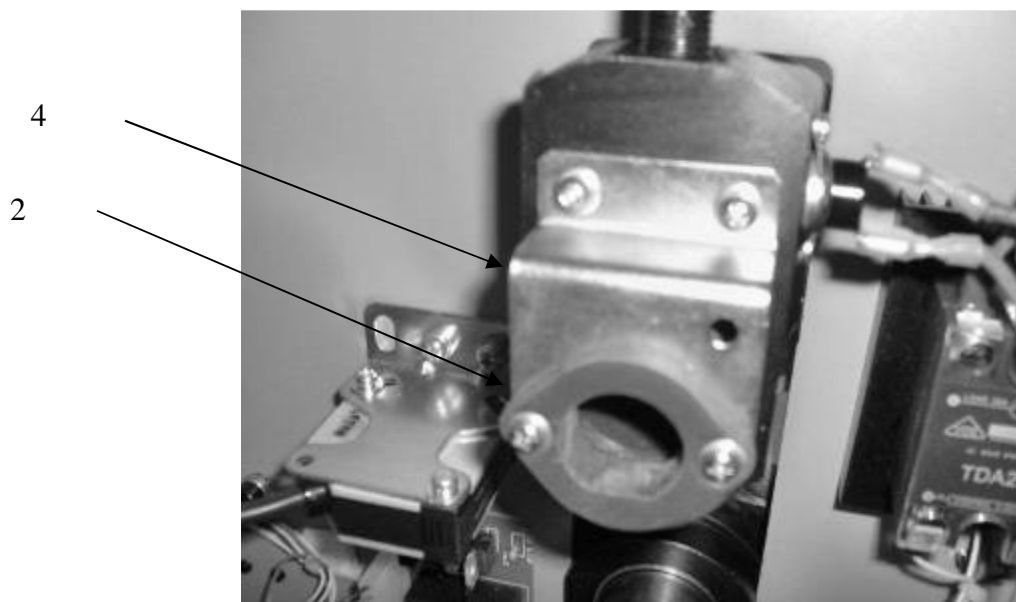
Warning: Do not attempt this with the power on!

11 A. Insert heat tube

1. Remove gap Hand wheels from right side cover
2. Remove the right and left cabinet covers.
3. Remove left and right heater rubber cushion (2) from support brackets (4)
4. Insert heat tube through the core of the roller (longer heat tube on top)
5. Align ends with flat spots with flat side of rubber cushion
6. Replace left and right heater rubber cushions

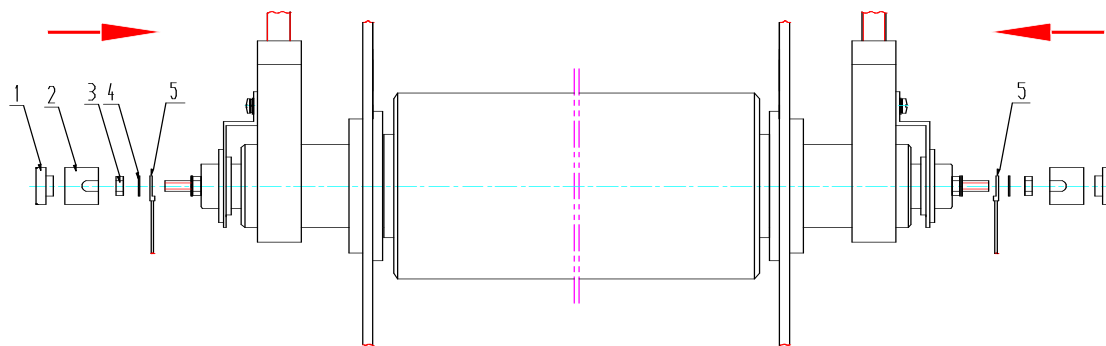


1. Screw 2. Rubber cushion 3. Heat tube 4. Support Bracket 5. Roller

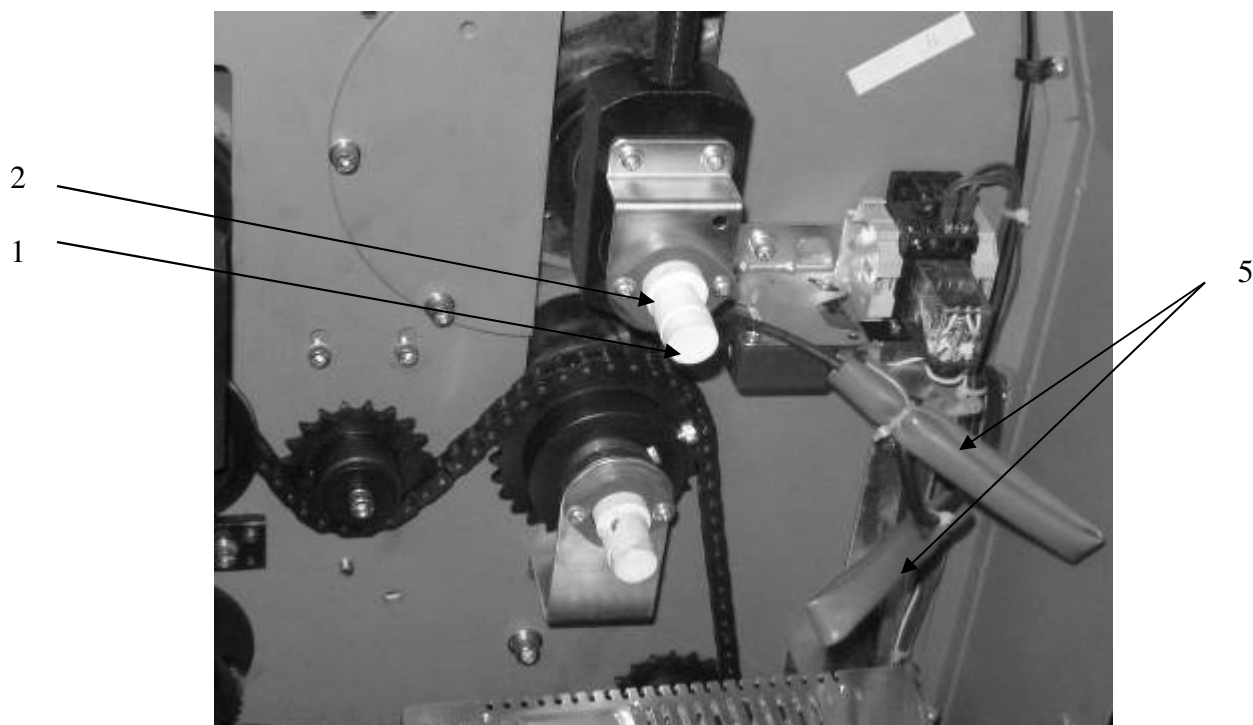


11 B. Connect electric wires

1. With the tube in place, remove the porcelain inserter (1), porcelain cap (2), hex nut (3), and flat washer (4) from both ends
2. Connect the two ends to the electric wire connectors for both top and bottom heaters
3. Replace flat washer, hex nut, porcelain cap and porcelain inserter
4. Replace side covers and gap wheel



1. Porcelain cap 2. Porcelain insert 3. Hex nut 4. Flat washer 5. Electric wire connector



12. Additional Installation Items

1. Check drive chains for tightness
2. Check all drive set screws for tightness
3. Check all electrical connections and input power and test for proper operation

13. Removing Print Hold Down Assembly

1. For Roll to Roll applications and mounting, it may be necessary to remove the print hold down assembly
2. Unscrew knurled thumb screws securing the Print hold down assembly
3. Lift off and remove assembly



14. Inserting Rewind Shafts

1. Slide a cardboard core onto the rewind shaft
2. Rotate the locking outer sleeves on both sides of the machine to the open position
3. Align the arrow and shaft tongue with the slot in support bracket on one side
4. Do the same for the opposite side support bracket
5. Rotate both locking outer sleeves to the closed position on the support brackets



15. Installing Optional Rear Rewind

15 A. Installing the Rewind Motor Assembly

1. Remove 4 screws and inserts bolted inside each side frame
2. Bolt rewind motor assembly to control side frame and rewind bracket to opposite side frame where the inserts were located
3. Slide cardboard core onto the rewind tube and insert the rewind tube onto the support brackets
4. Plug rewind motor into power plug outlet at the rear of the side frame

15 B. Operating Rewind Motor

1. Select “Combine” and the rewind shaft will match the speed of the laminator
2. Select “Single” and the rewind shaft runs independent of laminator
3. Adjust the speed or power of the rewind shaft with the Motor Torque knob
 - a. As the diameter of the rear rewind roll gets larger and the roll gets heavier, the motor may need additional torque or power to maintain the same speed as the laminator
4. Select “Forward” for the rewind motor to turn clockwise
5. Select “Reverse” for the rewind motor to turn counter-clockwise
6. Adjust the Shaft Clutch to keep the rewind shaft turning at the same speed as the machine output
 - a. As the diameter of the rear rewind roll gets larger and the roll gets heavier, the clutch may need to be tightened to keep the shaft clutch from slipping



Clutch adjustment



16. Brake Tension Adjustment

1. Adjust brake tension by turning the Tension adjustment knobs on top of each supply shaft assembly
2. Apply only enough brake tension to remove wrinkles from the vinyl web before it enters the nip rollers
3. Brake tension should not prevent roll from turning



Note: Excessive brake tension will cause waves, wrinkles, or a curl in the vinyl

17. Top Rewind Clutch Adjustment

1. Adjust top liner rewind shaft clutch by turning the Clutch adjustment knob on the left side cabinet
2. Apply only enough clutch tension to keep the liner rewind shaft turning with the supply roll



Note: Excessive clutch tension will cause rewind shaft to turn faster than the supply roll



Warning Ensure the safety shield is in place before operating the Laminator. Operating without the safety shield can cause serious injury

18. Loading Film

1. Rotate the locking outer sleeve to the open position, aligned with the inner sleeve
2. Swing the supply shaft out to load position and slide the film roll onto the shaft
Note: If using Liner-in film, the web should come off the bottom of the roll, for Liner-out film, the web should come off the top of the roll Swing shaft back into position and rotate locking outer sleeve to the closed position
3. Align film roll with a number on the supply shaft, positioning the roll in the middle of the supply shaft



19. Threading Film

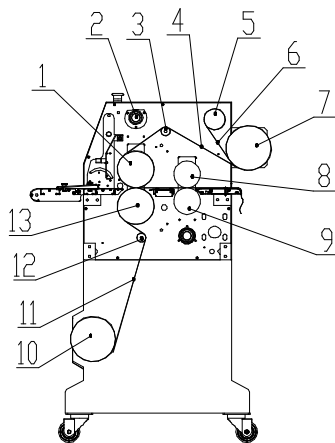
19A. Cold PSA film

1. Place cold film roll on top supply shaft and a roll of media on the bottom.
2. Pull the film and paper liner by hand over the top idler roller drape down across the front Nip roller.
3. Turn the front hand-wheel counter clockwise to raise the front Nip roller
4. Turn the rear hand-wheel to raise the rear pull. This roller will remain in the up position when using Cold PSA film
5. Pass the film through the Nip rollers, between the pull rollers, and lay on the rear exit panel. Pull the film flat then turn the front hand wheel to lower the front Nip roller.
6. Separate the paper liner from the film web between the supply roll and the idler roller and pull the liner up and tape it to the cardboard tube on the top rewind tube
7. Use foot pedal to advance the film web until the adhesive is exposed on the front of the Nip roller
8. Raise the feed tray assembly
9. Bring the bottom media roll up behind the idler roller and tack to the exposed film web adhesive
10. Lower the feed tray assembly
11. Use foot pedal to advance both webs until cleared of the nip rollers
12. Lower the top Nip roller to the desired nip pressure

NOTE: Slide film cutter between the paper liner and film to cut liner only. Be careful not to cut the top heat roller

NOTE: The film should be wrinkleless and tight to the surface of the heat roller. If wrinkles appear in the film web, adjust the brake tension on both sides of the film roll

When using a roll of mounting adhesive on the bottom shaft, follow the same procedure but web the mounting adhesive IN FRONT OF the bottom idler roller in this illustration



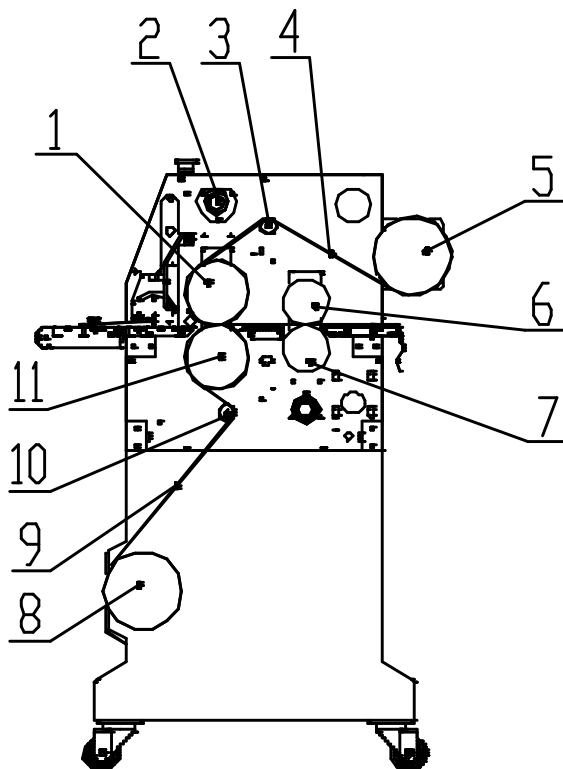
1. Top Nip roller
2. Linkage shaft for roller adjustment
3. Top idler roller
4. PSA film web
5. Liner rewind tube
6. Paper liner
7. PSA film roll
8. Top Rear Pull roller
9. Bottom Rear Pull roller
10. Bottom supply roll
11. Media web
12. Bottom idler roller
13. Bottom Nip roller

19B. Thermal film

1. Place thermal film roll on top and bottom supply shafts
2. Pull the top film over the top idler roller and drape down across the front Nip roller.
3. Turn the front hand-wheel counter clockwise to raise the front Nip roller
4. Turn the rear hand-wheel to raise the rear pull.
5. Raise the feed tray assembly
6. Pull the bottom film behind the bottom idler roller and up over the two nip rollers
7. Using a threading board, pass the two film webs through the Nip rollers,
8. Lower the top nip roller by turning the front hand wheel clockwise until the two rollers touch
9. Use foot pedal to advance the film web into the Pull rollers then lower the rear puller roller by turning the rear hand wheel clockwise until the rollers touch
10. Lower the feed tray assembly
11. Use foot pedal to advance both webs until cleared of the pull rollers
12. Adjust the roller pressure on both sets of rollers to the desired position



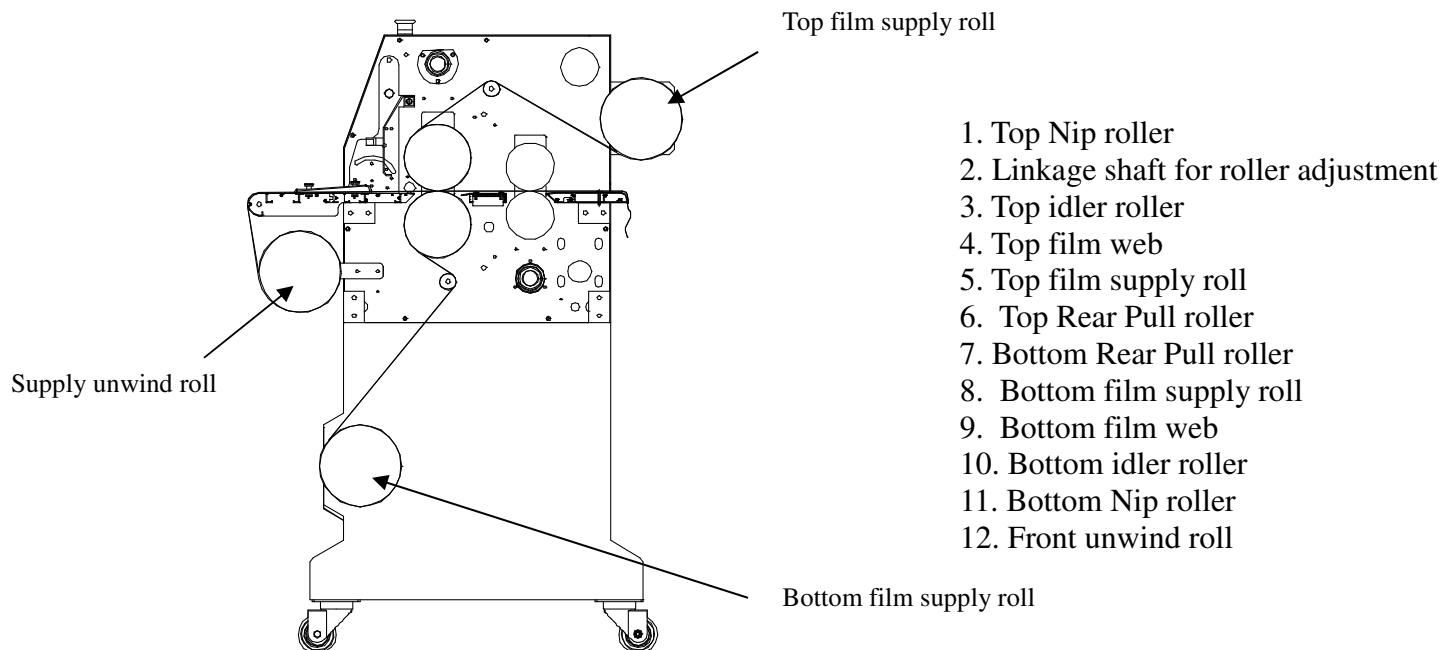
Warning Ensure the safety shield is in place before operating the Laminator. Operating without the safety shield can cause serious injury



1. Top Nip roller
2. Linkage shaft for roller adjustment
3. Top idler roller
4. Top film web
5. Top film supply roll
6. Top Rear Pull roller
7. Bottom Rear Pull roller
8. Bottom film supply roll
9. Bottom film web
10. Bottom idler roller
11. Bottom Nip roller

19 C. Front unwind for encapsulation

1. Thread two rolls of thermal film as in section 19 B above
2. Remove supply shaft from front unwind brackets
2. Loosen the fastening screws on the film core adaptor on one side of the supply shaft, and slide it off the supply shaft.
3. Slide the media roll onto the supply shaft
4. Return the film core adaptor to the supply shaft
5. Position the media in the middle of the supply shaft and measure the distance from one side of the film core adaptor to the side frame or use the substrate width positions printed on the supply shaft
6. Fasten the screws for film core adaptor
7. (Note: there should be 1/8" clearance between the positioning and the adjusting sleeves of the film core adaptor to make brake adjustment easier),
8. Adjust the brake tension by turning the adjusting sleeve (Note: the brake tension should not prevent roll from turning)
9. Pull media web up over the feed tray and align with thermal film web. Loosen film core adaptors and move media web into desired position then retighten.
10. Use foot pedal to advance the film web while pushing media web into the nip point where it will contact the hot film and be pulled through the machine



20. Operation

1. General operation

- Turn power to “ON” with the rear power switch, Power light on control will illuminate
- Select temperature and speed settings
- Wait until rollers reach desired temperature displayed on LCD
- Adjust desired roller pressure
- Depress Run switch for continuous operation

2. Cold laminating

- When doing cold laminating, turn both temperature dials counter clockwise to turn off heaters
- Adjust speed dial to desired position

3. Top Heat Laminating

- Rotate TOP heater dial counter clockwise to turn on top heater only
- Select desired temperature setting
- Recommended temperature setting for most applications with PSA film is dial setting 2 for approximately 100° F
- Recommended speed setting is dial setting 2 for 5 ft./min

4. Thermal Laminating (Encapsulation)

- Turn both temperature dials clockwise to turn on both top and bottom heaters
- Select desired temperature and speed settings
- Recommended temperature settings
 - a. Low temperature film (activation temperature 185° F) - Dial setting 4 = 200° F
 - b. High temperature film (activation temperature 210° F) - Dial setting 5 = 230° F

Film gauge	Dial	ft./min
1.5 mil	4	8
3.0 mil	2.5	6
5.0 mil	2	5
10 mil	1.5	2.5

NOTE:

- Recommended settings are starting points only and should be adjusted according to quality of output achieved.
- Excess heat may damage the printed image or cause waves. Insufficient heat may result in delamination.
- Thinner stocks can be run faster, and thicker stocks or heavy ink coverage should be run slower.
- Some stocks and ink-sets cannot be effectively laminated with thermal films. Compatibility testing is recommended before laminating long runs.

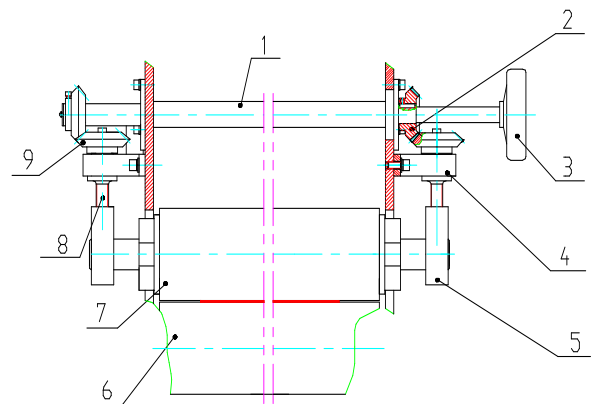
NOTE: The surface temperature of the rollers is shown on the LCD readout. The LCD does not work when the heaters are turned off

21. Roller Pressure Adjustment

- When the pressure-adjusting hand-wheel is turned clockwise, the top rubber roller comes down and the pressure will increase
- With a counter-clock turn, the top rubber roller goes up and the pressure will decrease.
- Too much nip pressure will wrinkle the output. Bring the nip roller down to just touch the film, then increase slightly
- NOTE: The Gfp 847DH model requires less nip pressure than the 865DH. When using the 47", bring the rollers down only to touch the film together. Do not over tighten the nip pressure.

22. Roller Gap Adjustment

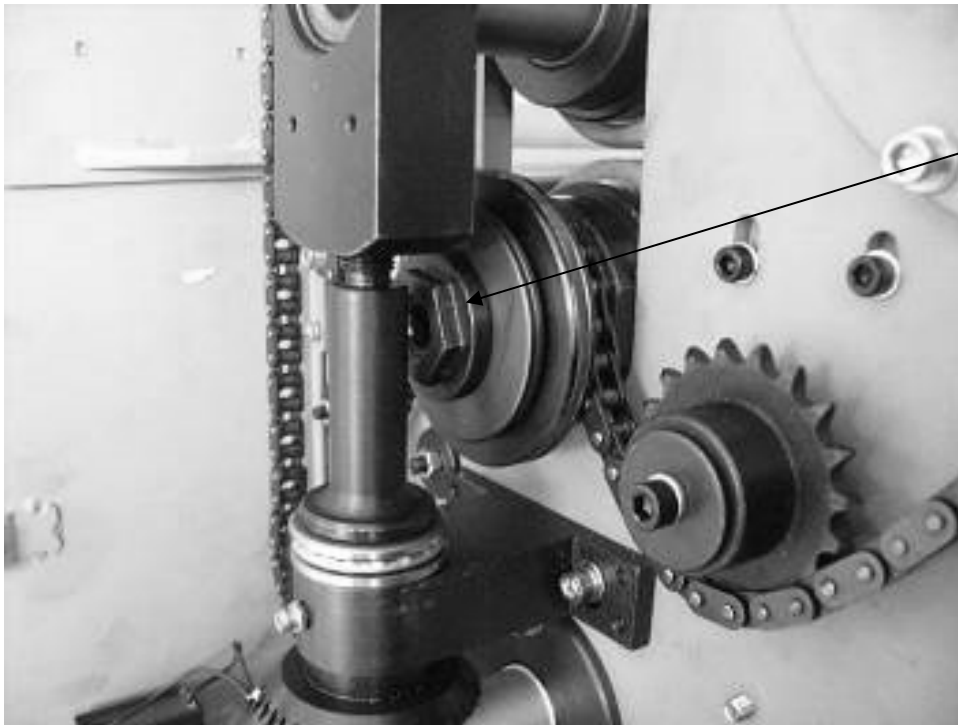
- To check for uneven roller gap
 - Place a sheet of paper between the rollers the full width of the laminator
 - Turn the pressure-adjusting hand-wheel to lower the upper rubber roller
 - Apply some pressure so the two rollers just touch
 - Check to see if the space in between the rubber rollers is even across the machine
- If the space is not even
 - Open the left and the right cabinet covers;
 - Check whether the left and right pressure-adjusting brackets are loose.
 - If loose, tighten brackets and then replace cabinet covers
- Check whether the longitudinal taper gears on the two sides are loose.
 - If they are loose, take apart the left transverse taper gear and then remove the screws of pressure-adjusting brackets, then tilt the longitudinal taper gear, and tighten the screws on the top of the gear
- Remove the left transverse taper gear, turn the longitudinal taper gear until the space of the two sides of rubber rollers becomes even.
- Tighten the screws of each component and replace the side covers



1. Linkage Axis 2. Transverse Taper Gear 3. Pressure-Adjusting Hand-wheel
 4. Pressure-Adjusting Bracket 5. Pressure-Adjusting Blocks 6. Lower rubber Roller
 7. Upper rubber Roller 8. Pressure-Adjusting Orientation Axis 9. Longitudinal Taper Gear

23. Pull Roller Clutch Adjustment

- A friction clutch is installed on the drive side of the rear lower pull roller shaft inside the left cabinet. Adjusting the compression nut will increase or decrease the rear pull roller speed to regulate film tension between the nip and the pull rollers.
- Adjust the compression nut by using the locking wrench supplied with the machine. Rotating the nut clockwise will increase speed of the pull rollers and so the film tension between the nip and pull rollers; a clockwise rotation will decrease the pull roller speed and so the film tension.
- The machine is adjusted before delivery; under normal conditions the clutch should not need further adjustment.
- However, if the output web has horizontal waves (across the width of the web), the clutch may need to be adjusted clockwise to increase the speed of the pull rollers. This will increase the web tension between the nip and pull rollers to reduce the horizontal waves
- Conversely, if the output web has vertical waves (running the length of the web), the clutch may need to be adjusted counter clockwise to reduce the speed of the pull rollers. This will decrease the tension between the rollers and reduce the vertical waves.



Compression Nut

24. Troubleshooting

Problems	Causes	Solutions
Machine does not turn on	<ol style="list-style-type: none"> 1. No power supply 2. Main power switch is OFF 3. Circuit breaker has tripped 4. Blown main power fuse 5. Motor has failed 	<ol style="list-style-type: none"> 1. Plug in power cord 2. Place power switch to ON 3. Reset circuit breaker 4. Replace fuse on rear panel 5. Change the electric motor
Rollers do not turn after "Run" button is pressed	<ol style="list-style-type: none"> 1. Emergency switch is engaged 2. Excess roller nip pressure 	<ol style="list-style-type: none"> 1. Disengage emergency switch 2. Reduce the nip pressure of the rubber rollers
Heat roller not heating	<ol style="list-style-type: none"> 1. Heater not set 	<ol style="list-style-type: none"> 1. Switch heater on, adjust temperature setting knob
Poor film adhesion or cloudy prints	<ol style="list-style-type: none"> 1. Nip roller pressure to low. 2. Dust on the surface of the print 	<ol style="list-style-type: none"> 1. Increase nip roller pressure 2. Clean print surface before lamination
Poor film adhesion on one side	<ol style="list-style-type: none"> 1. Nip roller pressure on the two sides is not even 	<ol style="list-style-type: none"> 1. See "Roller gap adjustment"
Lamination output is curled	<ol style="list-style-type: none"> 1. Sheet is curled upward 2. Sheet is curled downward 	<ol style="list-style-type: none"> 1. Reduce top roll tension 2. Reduce bottom roll tension
Film supply roll gets loose during operation	<ol style="list-style-type: none"> 1. Not enough brake tension on supply roll 	<ol style="list-style-type: none"> 1. Increase brake tension on supply roll
Backing paper gets loose when being rolled up	<ol style="list-style-type: none"> 1. Not enough brake tension on the backing paper rewind roller 	<ol style="list-style-type: none"> 1. Increase brake tension on backing paper rewind roller
Wrinkles in film both on top and bottom	<ol style="list-style-type: none"> 1. Too much nip roller pressure 	<ol style="list-style-type: none"> 1. Reduce nip pressure with hand wheel

25. Specifications

Description	865DH
Laminating Width	65"
Roller Diameter	5"
Roller Gap	1"
Max Temperature	266° F
Film core size	3"
Laminating Speed	0-13 Ft/min
Pressure Adjustment	Hand wheel
Heat Method	Quartz tube
Power Supply	240v 24 amp
Power Consumption	5760 W
Net weight	767 lbs.
Output height	38"
Dimensions	87 x 34 x 49"
Shipping weight Machine	893 lbs.
Shipping weight stand	134 lbs.
Shipping dimensions machine	90 x 38 x 33"
Shipping dimensions stand	79 x 33 x 15"



26. Warranty

January 2014

Graphic Finishing Partners, LLC warrants each new Gfp Laminator is free from defects in material and workmanship for a period of one (1) year from the date of installation. A machine which proves defective in materials or workmanship within the warranty period will be repaired or, at Gfp's option, replaced without charge. This warranty is extended only to the original purchaser.

This warranty is the only warranty made by Gfp and cannot be modified or amended. Gfp's sole and exclusive liability and the customer's sole and exclusive remedy under this warranty shall be, at Gfp's option, to repair or replace any such defective part or product. These remedies are only available if Gfp's examination of the product discloses to Gfp's satisfaction that such defects actually exist and were not caused by misuse, neglect, attempt to repair, unauthorized alteration or modification, incorrect line voltage, fire, accident, flood or other hazard.

The warranty made herein is in lieu of all other warranties, expressed or implied, including any warranty or merchantability or fitness for a particular purpose. Gfp will not be liable for personal damage or personal injury (unless primarily caused by its negligence), loss of profit, or other incidental or consequential damages arising out of the use or inability to use this equipment.

This warranty specifically does not cover damage to laminating rollers caused by knives, razor blades, or any sharp objects or abrasives, or failure caused by adhesives, or damage caused by lifting, tilting and/or any attempt to position the machine other than rolling on the installed castors or feet on even surfaces, or improper use of the machine. Warranty repair or replacement by Gfp or its authorized reseller(s) does not extend the warranty beyond the initial period from the date of installation. Unauthorized customer alterations will void this warranty.