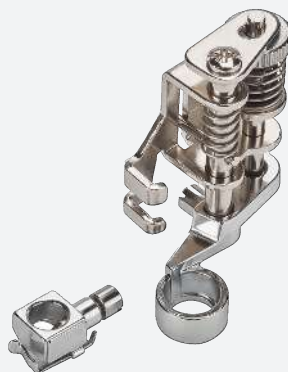
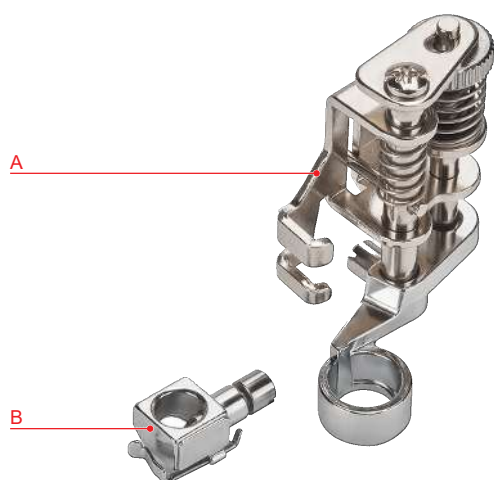


# Adjustable Ruler Foot Set



1



## Information

### Scope of Delivery

- Adjustable Ruler Foot (A)
- Needle holder (B)

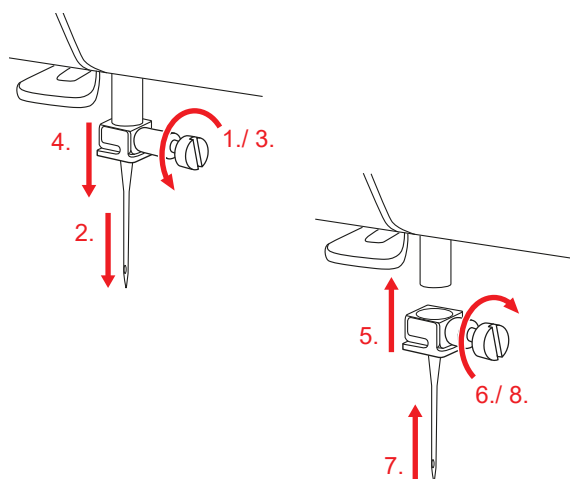
### Purpose

- For quilting with 1/4" rulers.
- For free-motion quilting.

### For Your Safety

Before using this accessory, please read this instruction manual as well as the instruction manual of your machine carefully.

2



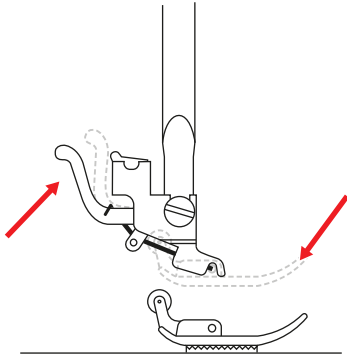
## Application

### How to change the Needle Holder

(Fig. 2)

- > Set needle to topmost position.
- > Loosen the needle holding screw a little.
- > Remove the needle.
- > Completely loosen the needle holding screw and remove the needle holder.
- > Attach the supplied needle holder to the needle bar, by tightening the needle holding screw slightly.
- > Insert a needle.
- > Tighten the needle holding screw until it is finger-tight.

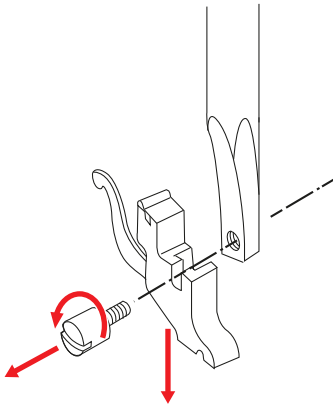
3



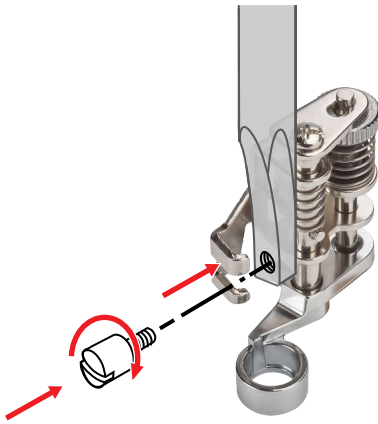
## How to mount the Ruler Foot

- > Raise the presser foot. (Fig. 3)
- > Remove the presser foot. (Fig. 3)
- > Loosen the presser foot fixing screw. (Fig. 4)
- > Remove the presser foot holder. (Fig. 4)
- > Hold the adjustable ruler foot against the presser foot bar. (Fig. 5)
- > Tighten the presser foot fixing screw. (Fig. 5)

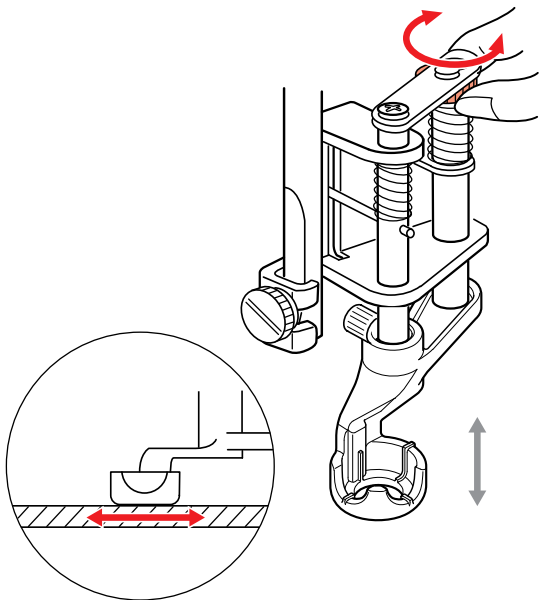
4



5



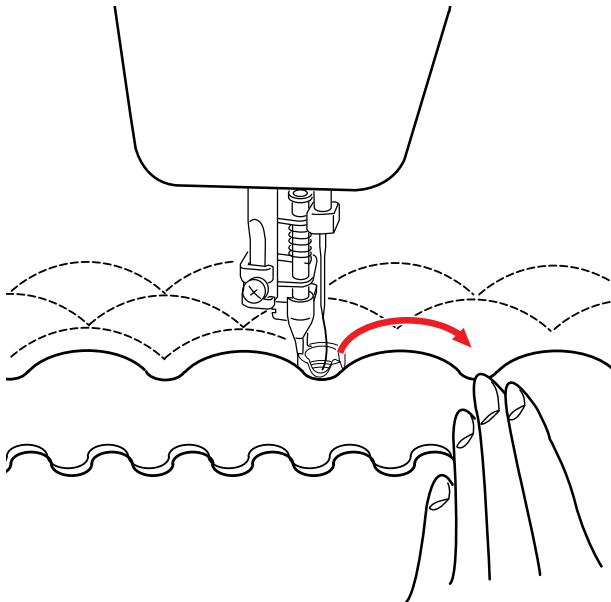
6



## Quilting

- > Set the needle position to «Center».
- > Select the straight stitch.
- > Place the fabric under the presser foot.
- > Lower the presser foot.
- > Adjust the height of the presser foot. To do this, turn the adjusting wheel of the presser foot until the fabric can be moved back and forth under the presser foot sole without difficulty. (Fig. 6)
- > Thread the needle.
- > Bring the bobbin thread up to the right side of the fabric. Hold the upper and lower threads together.
- > Start quilting with ruler (Fig. 7) or free-motion quilting. Move the fabric with your hands according to the sewing speed in order to achieve an even stitch length.

7



## Tip

- If skipped stitches occur, reduce the presser foot height or the sewing speed.
- For best results, move the quilt sandwich 3 mm or less per stitch.
- For an optimal sewing result, use the straight stitch plate.
- For a beautiful stitch formation, use upper and bobbin threads of the same color and thread quality.