



THE ULTIMATE GUIDE STIX USER GUIDE

GSU SERIES MONOPOD & BIPOD



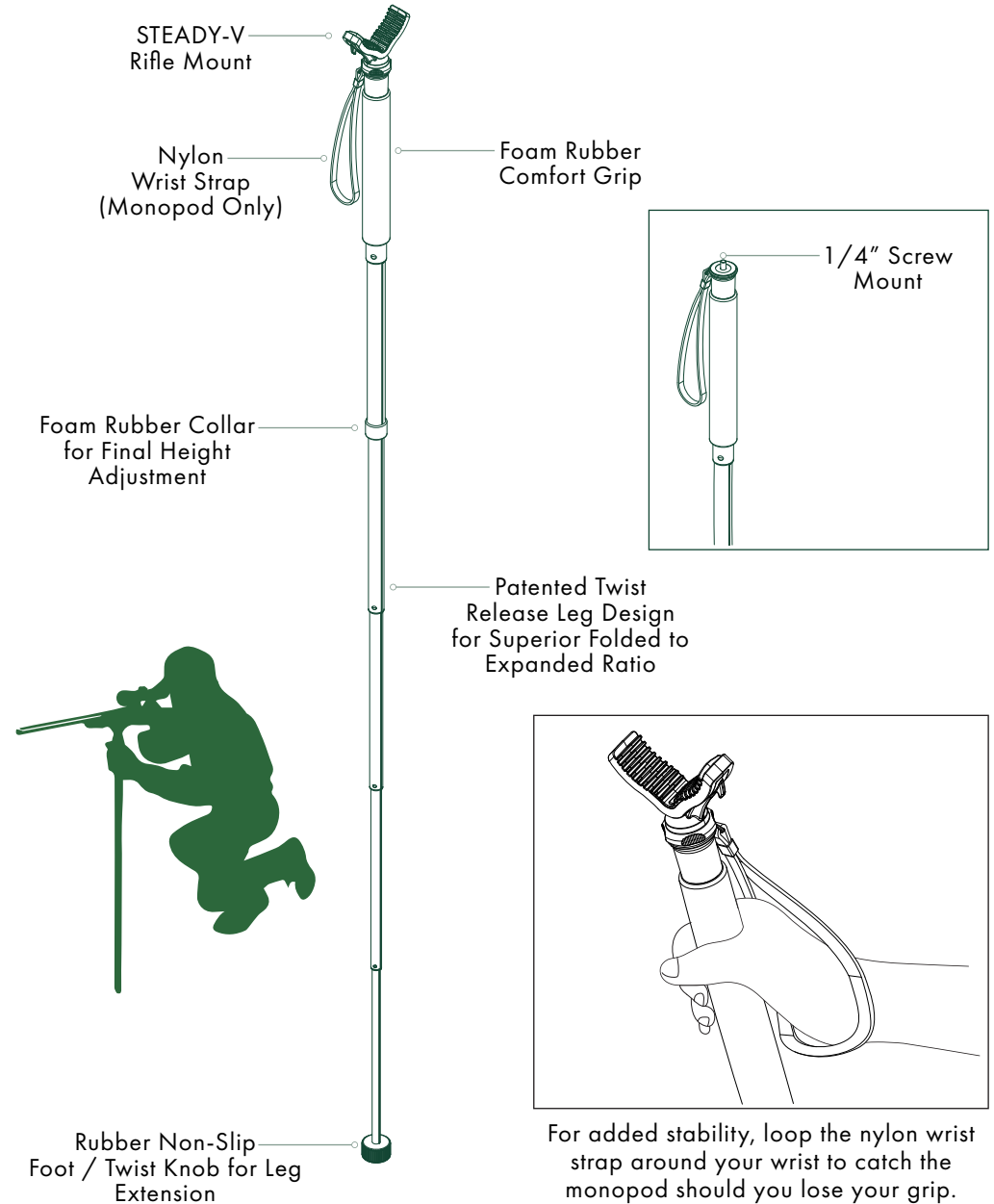
FEATURING STEADY-V TECHNOLOGY

The Guide Stix Steady-V Mount rotates 360° for quick adjustment. Featuring sure grip rubber ridges, the Steady-V is the perfect rest for your rifle stock. By removing the Steady-V Mount, your Guide Stix can alternatively be used for Camera or Spotting Scope use.

ITEM	GSU 1	GSU 2	STEADY-V
Folded Length	14.6"	15.75"	2"
Maximum Extension	63.2"	61.4"	
Folded to Expanded Ratio	1:4.3 (Over 4x the Folded Length!)	1:3.0 (Almost 4x the Folded Length!)	
Weight	0.76 lb	1.49 lb	0.12 lb

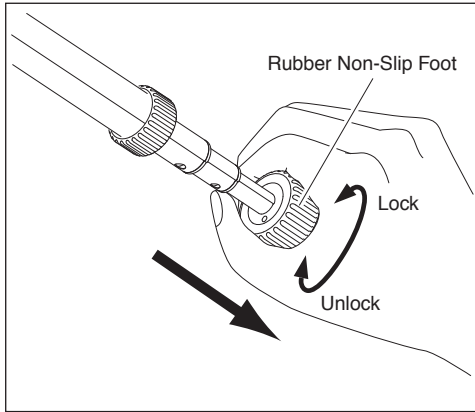
The Thunder Bay brand of shooting sticks has been developed in conjunction with Velbon Corporation, established in 1955 as a renowned manufacturer of tripods and monopods with innovation at its core.

We hope you enjoy this innovation at work with the ULTIMATE GSU series of GUIDE STIX.



For added stability, loop the nylon wrist strap around your wrist to catch the monopod should you lose your grip.

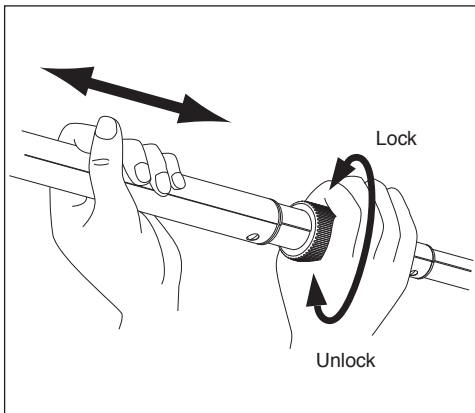
OUR GUIDE STIX CSU SERIES INCORPORATES A UNIQUE AND PATENTED LEG LOCKING SYSTEM.



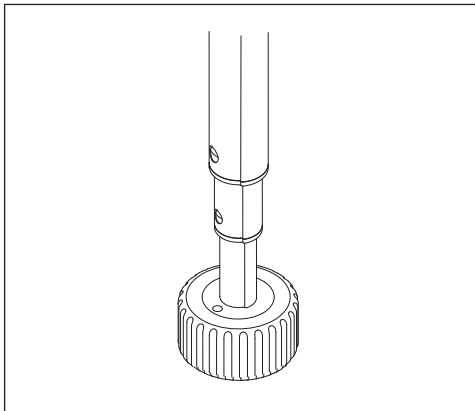
To release the legs, grasp the Foam Rubber Comfort Grip in one hand and the Rubber Non-Slip Foot in the other hand. TWIST the Rubber Non-Slip Foot in a counter-clockwise direction to unlock.

For FULL extension, twist the Rubber Non-Slip Foot in a counter-clockwise direction for a full 5 clicks, which indicates that 5 leg sections are unlocked. Pull the legs out to their fullest extension, and twist the foot in a clockwise direction to tighten and lock fully in place.

For PARTIAL extension, twist the Rubber Non-Slip Foot in a counter-clockwise direction until the number of clicks equals the total number of leg sections you'd like to extend. Pull the leg out to the desired position, and twist the foot in a clockwise direction to lock in place. To make sure the locks are secure, give one final twist again in a clockwise direction.



For final small height adjustments (FOR FULLY EXTENDED LEGS ONLY), grasp the Foam Rubber Comfort Grip in one hand and the Foam Rubber Collar for Final Height Adjustment in the other hand. TWIST the Foam Rubber Collar For Height Adjustment in a counter-clockwise direction (there will be one click only) to unlock. Raise or lower the top section of your leg using your hand on the Foam Rubber Comfort Grip. Once the desired height is achieved, TWIST the Foam Rubber Collar for Final Height Adjustment in a clockwise direction to lock in place. To make sure the locks are secure, give one final twist again in a clockwise direction.



⚠ Before setting equipment on your Monopod or Bi-Pod, check to make sure your legs are fully locked and secure. Apply downward pressure to the top of your unit to confirm your legs are at their full strength. If there is any leg slide, the Rubber Non-Slip Foot or Foam Rubber Collar for Final Height Adjustment must be tightened further in a clockwise direction to fully lock in place.

