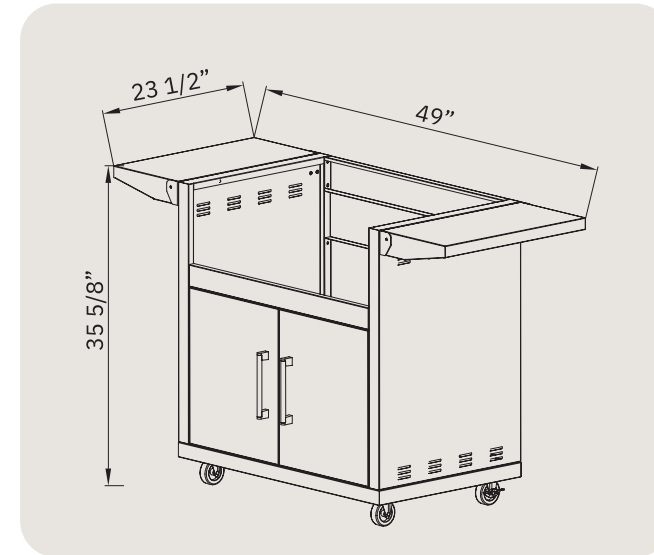


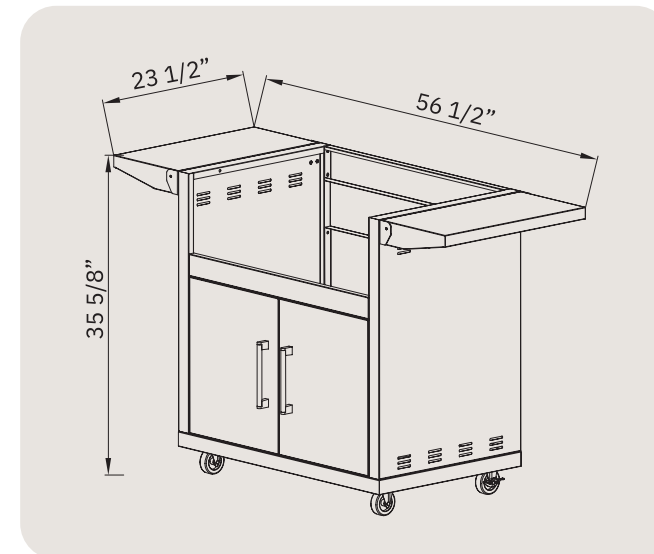


CART ASSEMBLY GUIDE

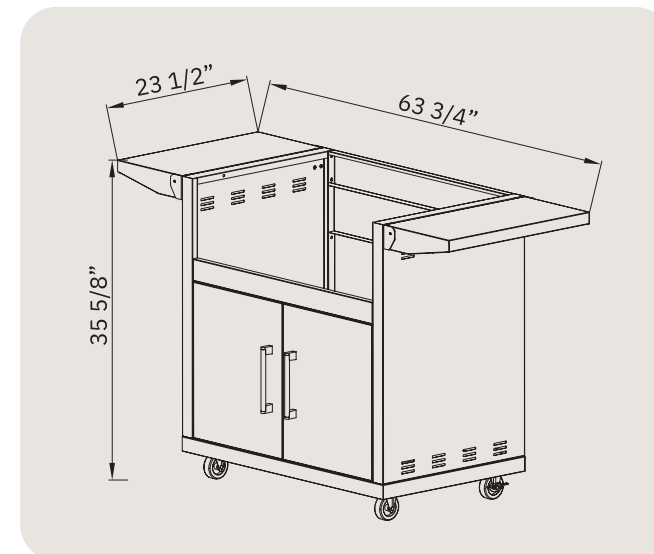
Thank you for purchasing a deluxe cart and welcome to the TrueFlame family. TrueFlame's premium grill carts offer an alternative solution to outdoor dining. Durable and sleek, these stainless steel carts feature soft close drawers, propane tank storage, and collapsible shelving. Use this guide to set up your cart and make sure to use two people to ensure a safe install.



CART-TF-25DC

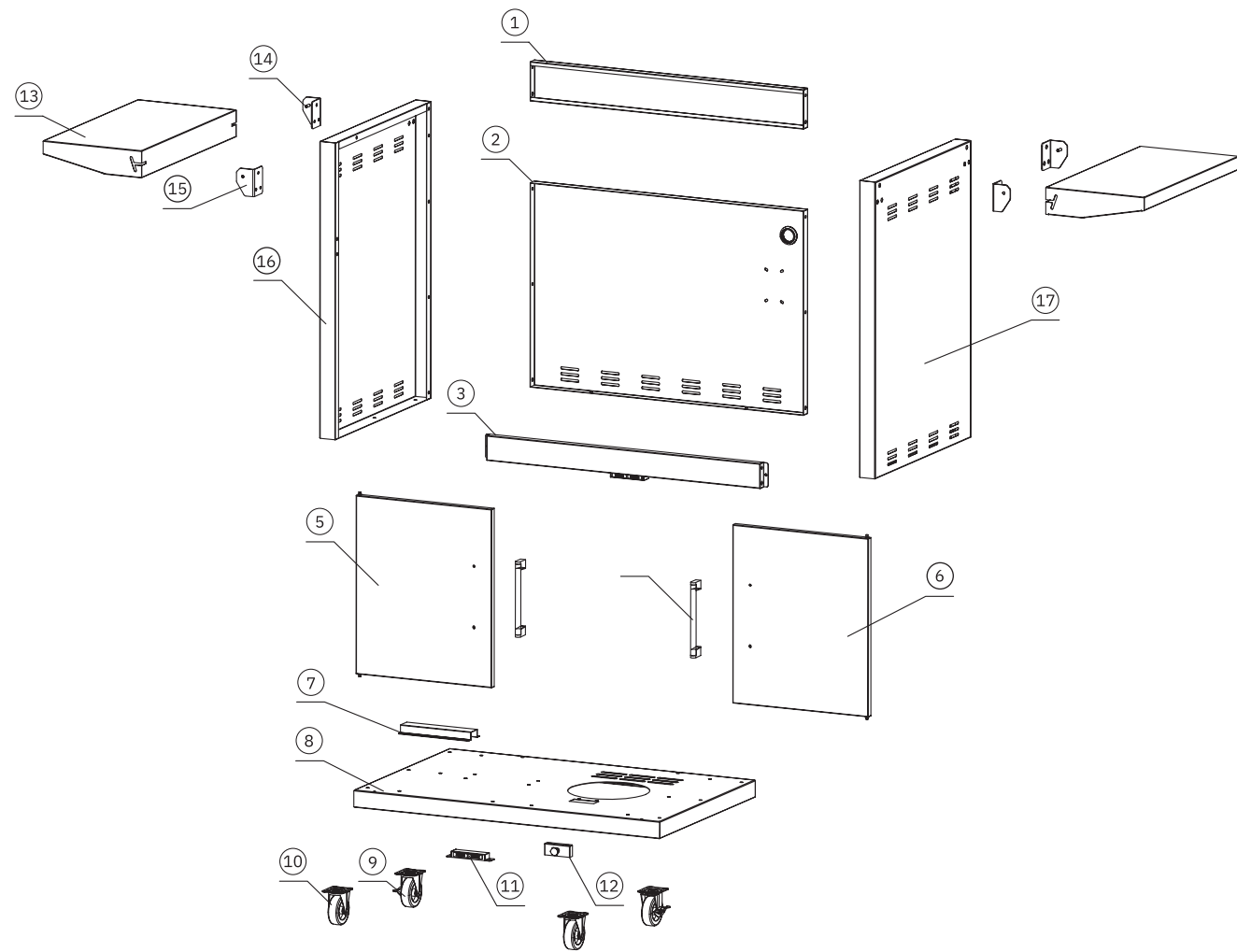


CART-TF-32DC



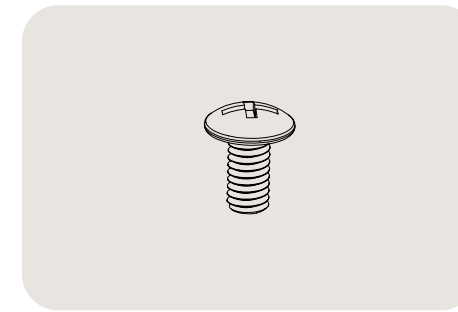
CART-TF-40DC

## PARTS LIST

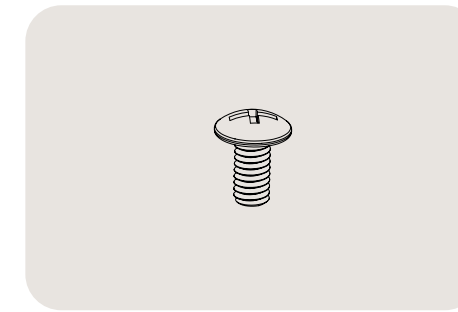


- |                                   |                                       |
|-----------------------------------|---------------------------------------|
| 1. 1PCS 1 x Cart Rear Upper Panel | 10. 2PCS 2 x Caster Without Locks     |
| 2. 1PCS 1 x Cart Rear Lower Panel | 11. 1PC 1 x Magnet Assembly           |
| 3. 1PCS 1 x Beam                  | 12. 1PCS 1 x Cylinder Lock Down       |
| 4. 2PCS 2 x Door Handle           | 13. 2CS 1 x Side Shelf                |
| 5. 1PCS 1 x Left Door             | 14. 2PCS 2 x Side Shelf Left Bracket  |
| 6. 1PCS 1 x Right Door            | 15. 2PCS 2 x Side Shelf Right Bracket |
| 7. 1PCS 1 x U Mounting Panel      | 16. 1PCS 1 x Cart Left Side Panel     |
| 8. 1PCS 1 x Bottom Panel          | 17. 1PCS 1 x Cart Right Side Panel    |
| 9. 2PCS 2 x Caster With Locks     |                                       |

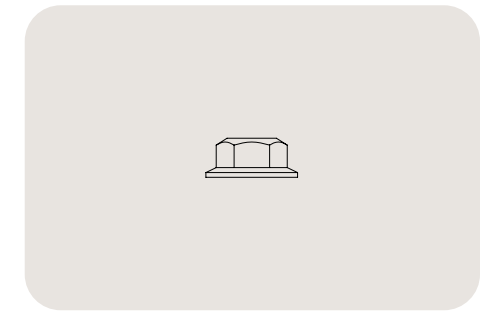
## HARDWARE PACK



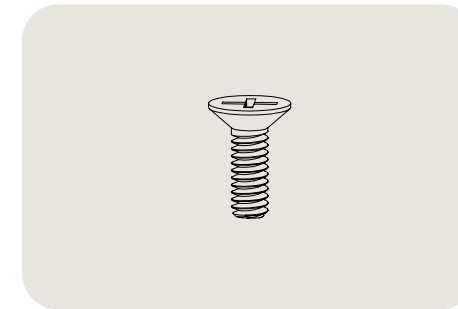
A: M6x12 Bolt (16PCS)



B: M5x10 Bolt (34PCS)



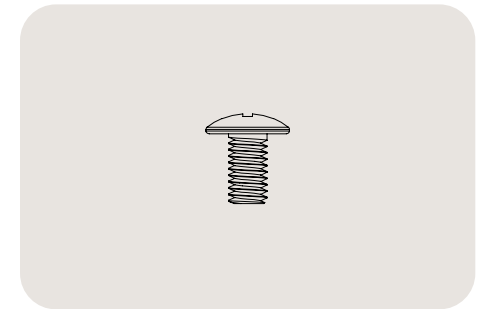
C: M4 Nut (4PCS)



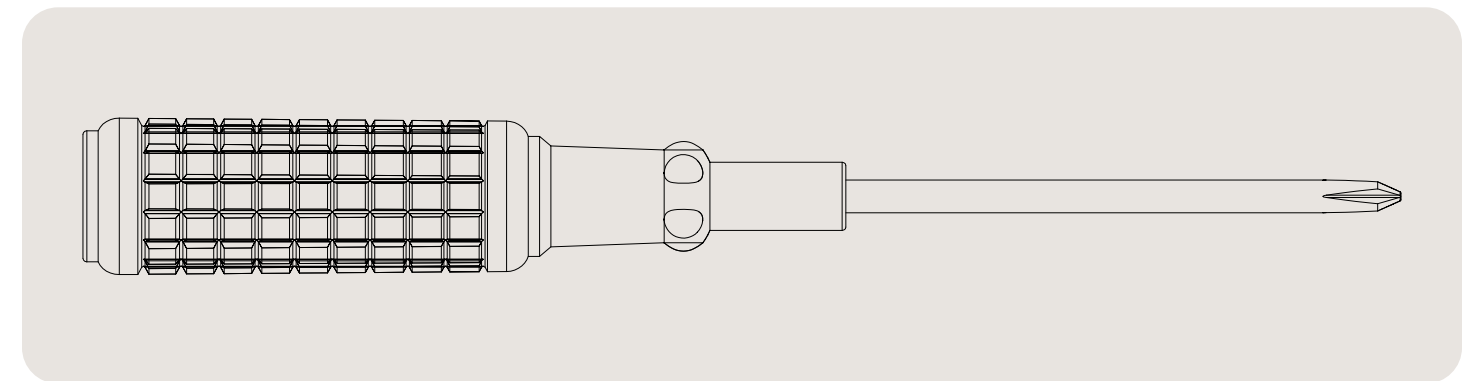
D: M6x12 Countersunk Screw (12PCS)



E: M4x6 Bolt (4PCS)



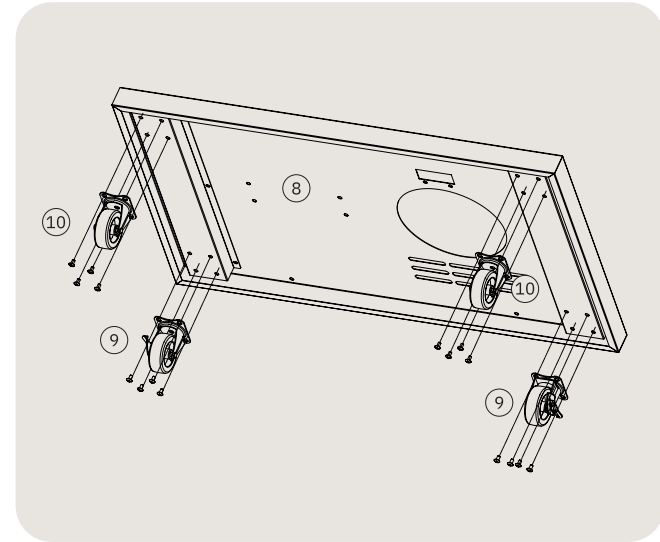
F: M4x12 Bolt (4PCS)



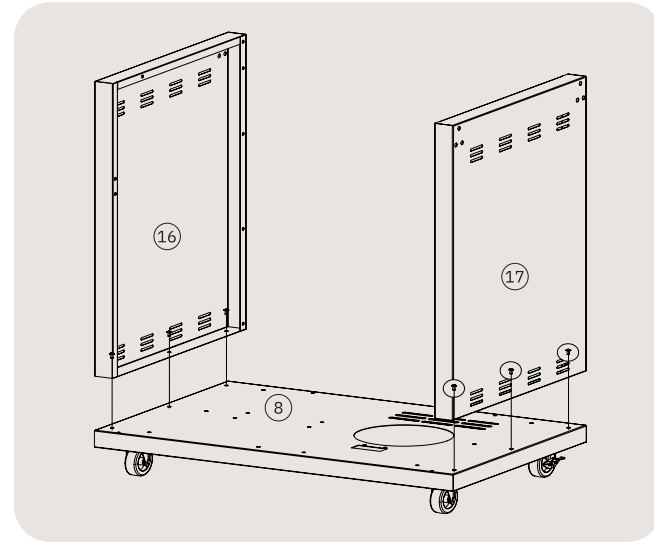
G: Screwdriver (1PC)

## INSTRUCTIONS

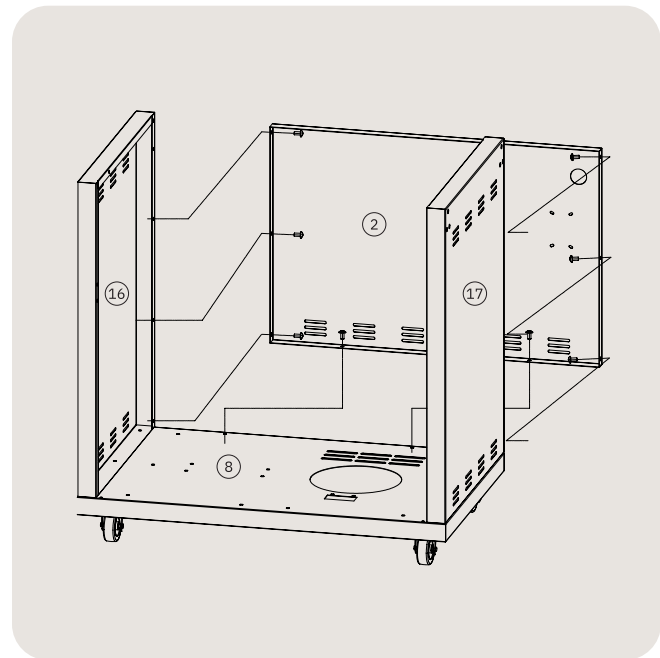
1. Use M6\*12 bolt (16pcs) to install the four casters to the bottom panel, as shown below.



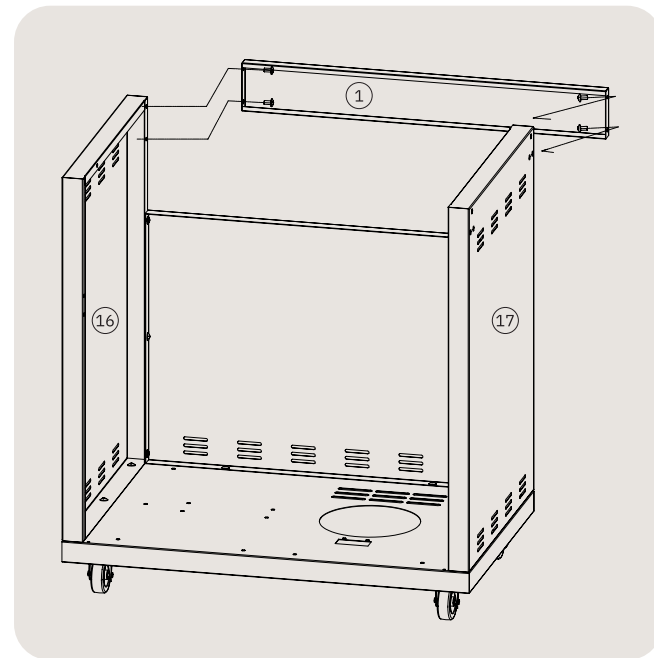
2. Use M5\*10 bolt (6pcs) to install the left side panel and right side panel to the bottom panel.



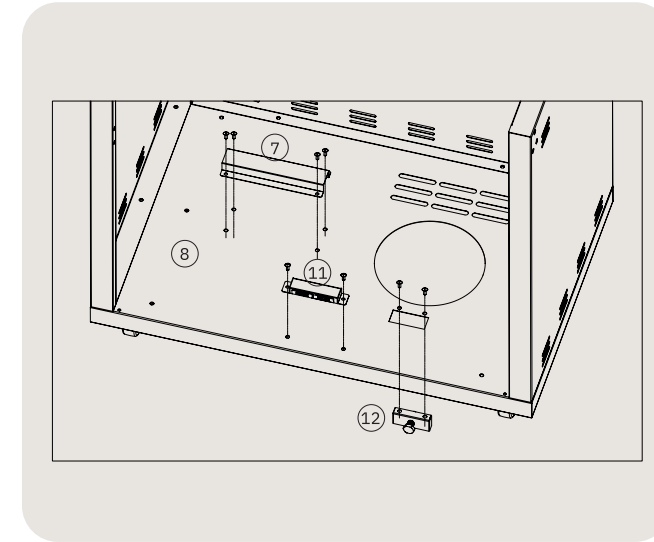
3. Use M5\*10 bolt (8pcs) to assemble the cart's rear lower panel (2) with the left side, right side, and bottom panels.



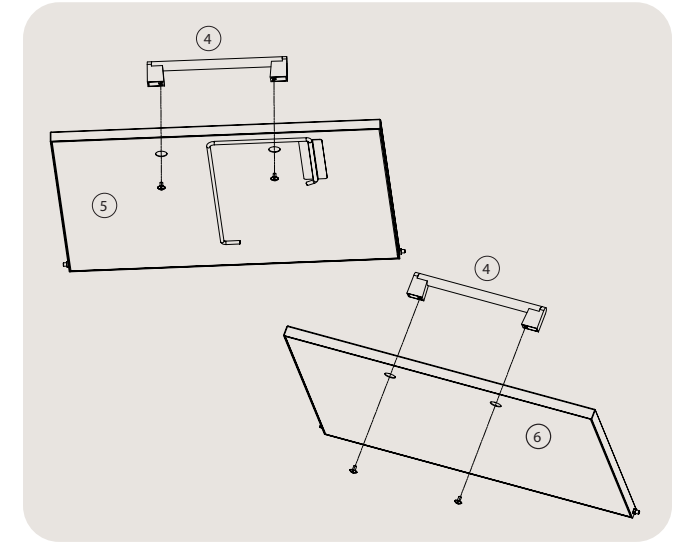
4. Use M5\*10 bolt (4pcs) to assemble the rear upper panel with the left side panel and right side panel.



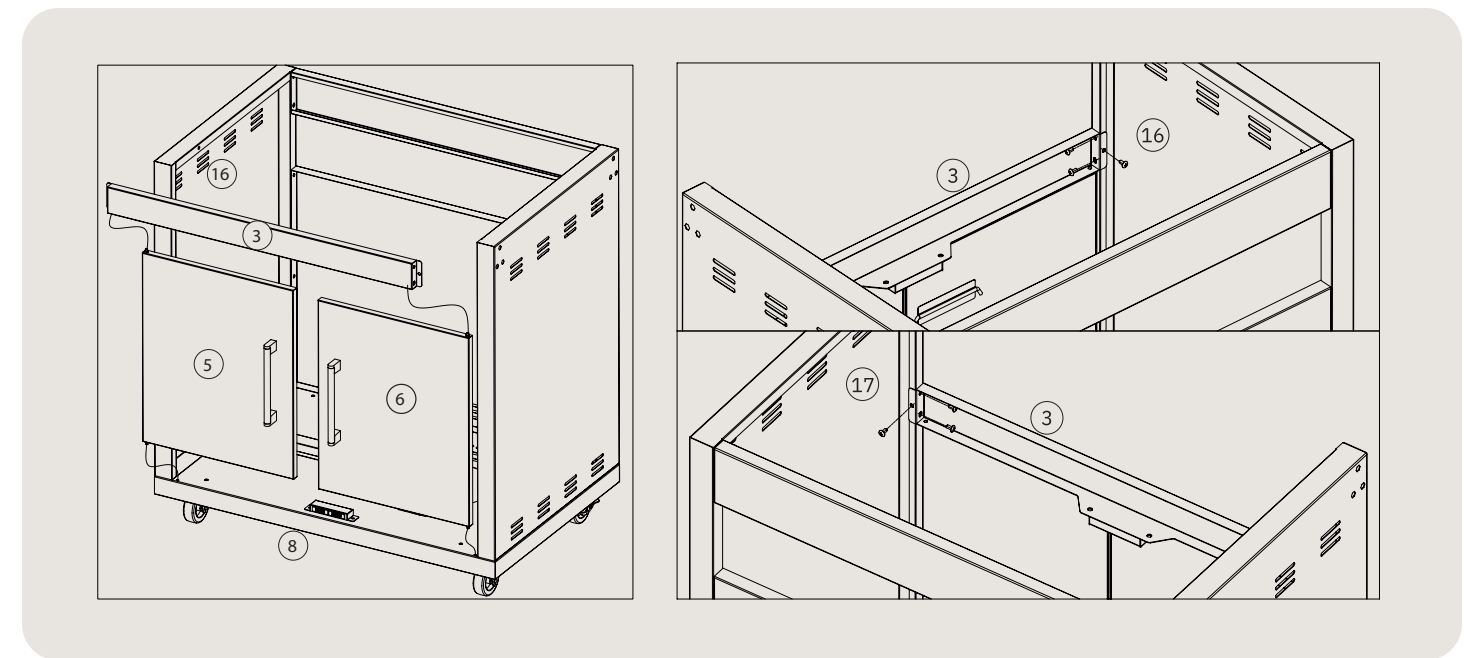
5. Use M5\*10 bolt (8pcs) to install the U mounting panel (7), magnet assembly (11), and cylinder lock down (12) to the bottom panel.



6. Use M4\*6 bolt (4pcs) to install the handles (4) to the left door and right door.



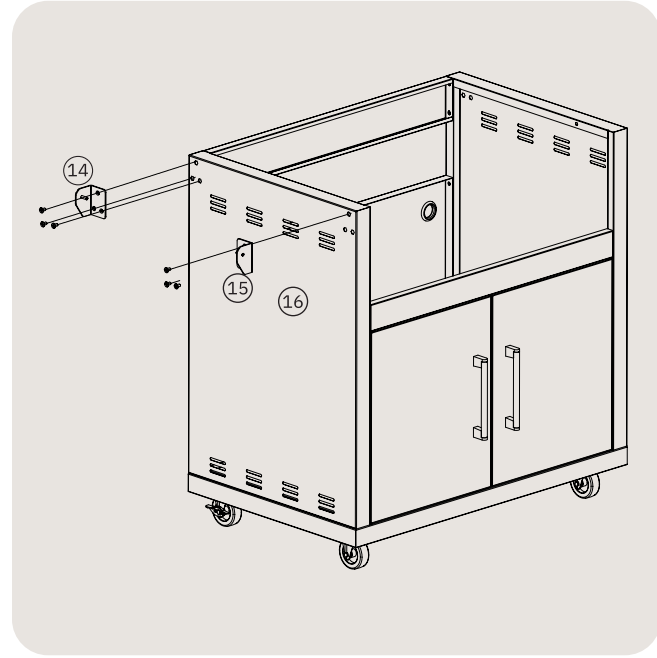
7. Place the left and right doors on the bottom panel, inserting the pin into the holes on either side of the bottom panel. Place the beam (3) on top of the doors with the door pins inserted into the beam holes. Use M5\*10 bolts (6pcs) to lock the beam to the cart side panels.



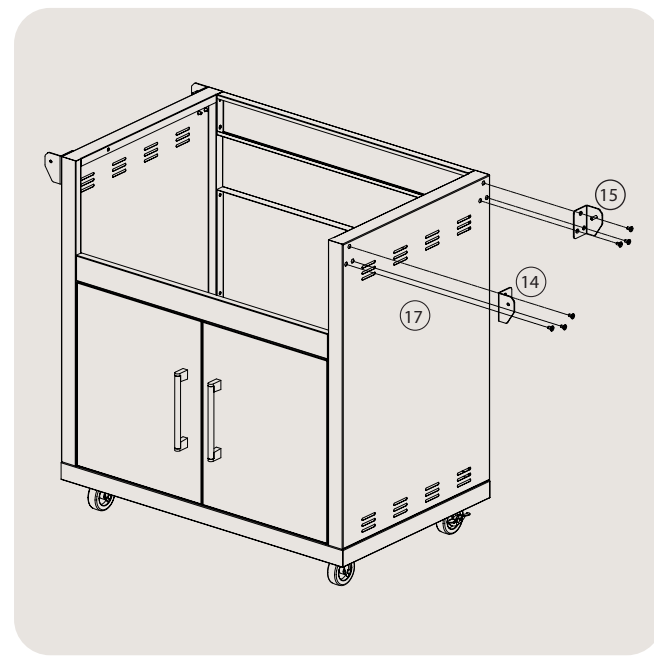
## INSTRUCTIONS

## INSTRUCTIONS

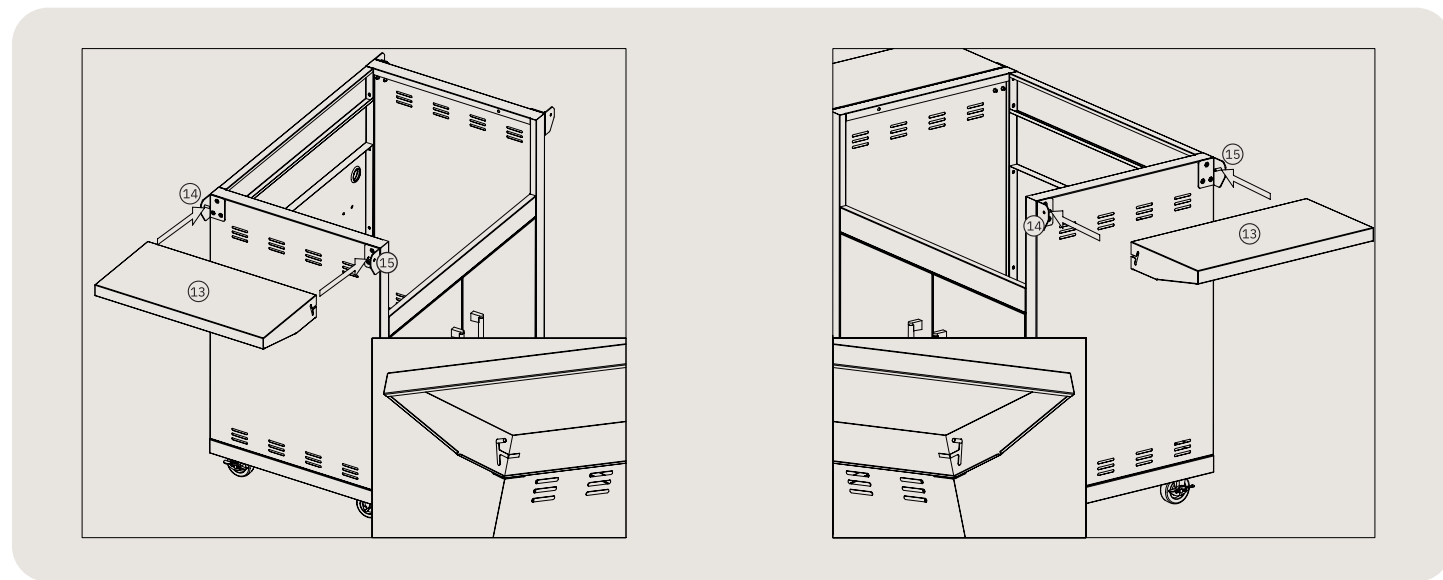
8. Use M6\*12 countersunk screws (6pcs) to install the side shelf left (14) and right (15) brackets to the left side panel.



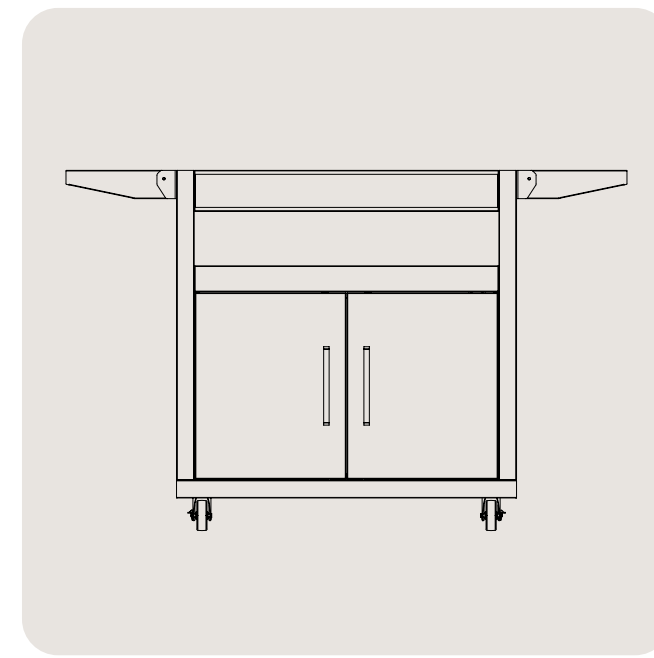
9. Use M6\*12 countersunk screws (6pcs) to install the side shelf left (14) and right (15) brackets to the right side panel.



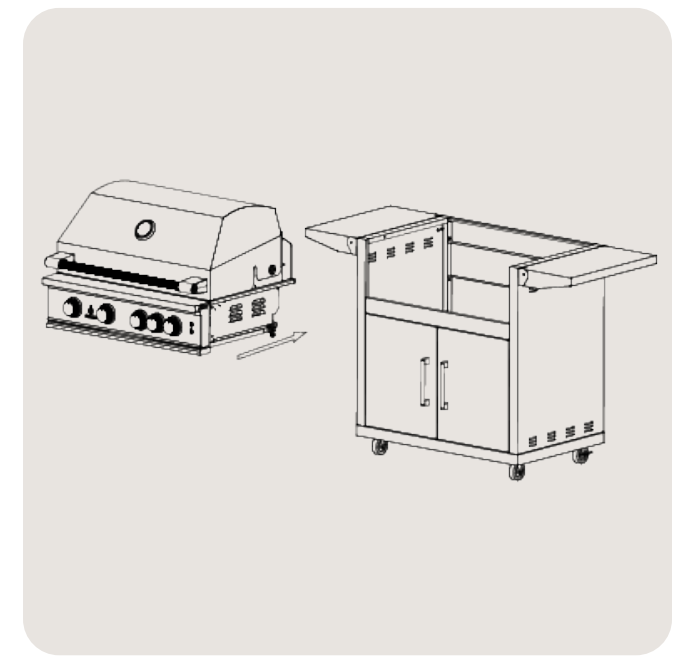
10. Assemble the side shelf to the brackets, as shown below.



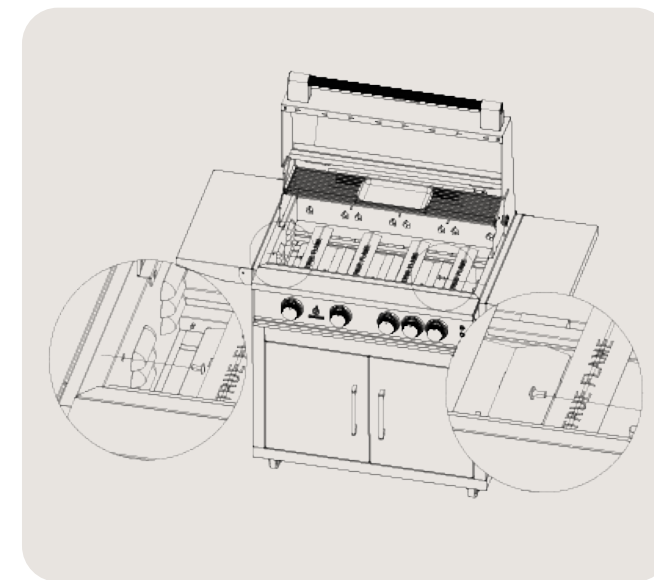
11. Congratulations!  
The cart assembly is complete.



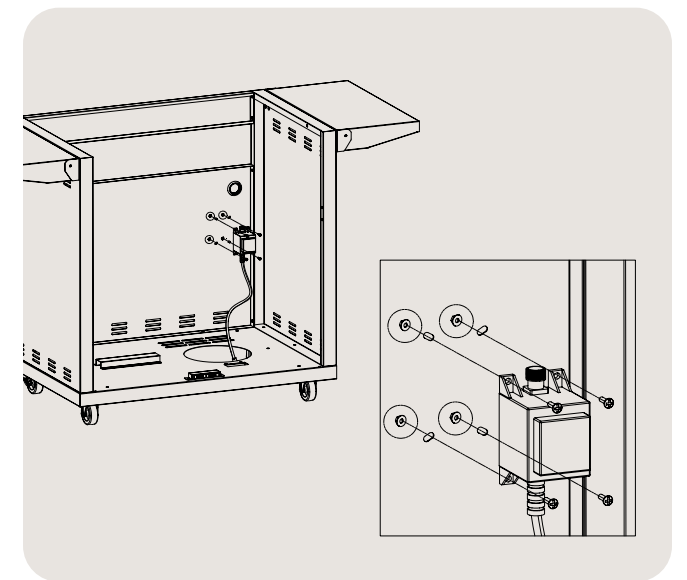
12. Now, using two or more people, place the grill into the cart.



13. Use M5\*10 (2pcs) to lock the grill to the cart.



14. Use M4\*12 (4pcs) and M4 nuts (4pcs) to install the transformer to the cart.





---

## GOLD STANDARD WARRANTY

---

Your investment in AMD Direct products is backed by the strongest warranty in the industry. In addition to precision engineering and outstanding performance, AMD Direct products include our GOLD STANDARD LIFETIME WARRANTY with all replacement parts 100% non-prorated. Effective with purchases as of 8/1/21.

AMD Direct Warranty is valid for original purchaser at original site of delivery with proof of purchase and photo documentation only. Registration form must be submitted online within 30 days of the purchase date to validate the warranty. Warranty is void upon transfer of ownership. Warranty does not apply to products installed in any commercial, rental, or nonresidential application (exception of the Resort Grill, Alturi, & TRL). Warranty covers replacement parts only. Manufacturer is not responsible for labor or labor-related costs. Warranty does not cover discoloration, surface rust, corrosion, or oxidation, which may occur due to harsh environments, chemicals, or overheating. Warranty will not apply for damage resulting from improper installations, abuse, extreme environments, grease fires, or misuse. Proof of regular and proper maintenance is required. Coastal, humid, and/or salt environments are subject to manufacturer review. All out-of-box claims must be made within 30 days of purchase and must be made prior to installation. Any product installed damaged will be considered damaged during installation and not covered under warranty. Warranty and registration forms are available at [www.amddirect.com/register](http://www.amddirect.com/register). Please be advised - all display models are sold "as is" and the warranty covers the following items only: main burners (Gold Standard Lifetime Warranty), grates (Gold Standard Lifetime Warranty), burner covers (Gold Standard Lifetime Warranty). All warranties are subject to the review and approval of the manufacturer.

---

14520 DELTA LANE SUITE 105,  
HUNTINGTON BEACH, CA 92647

800.966.8126

AMDDIRECT.COM

### AMD DIRECT GAS APPLIANCES (GRILLS, SIDE/POWER BURNERS, GAS GRIDDLE & OVEN)

- Gold Standard Lifetime Warranty on construction and manufacturer defects
- Gold Standard Lifetime Warranty on Stainless Steel Construction
- Gold Standard Lifetime Warranty on Cooking Grates, Burners, Burner Covers, Valves, Flame Tamers, and Heatzone Separators, Temperature Gauges, & Hood Springs
- Gold Standard Lifetime Warranty on Briquette Systems
- 3 YEAR Warranty on all other Parts, Components, & Electrical, including: LED Bulbs, Wire Harness, & Switches; Power Source Wire; Transformer; Interior Halogen Light Wire & Bulb

### VENT HOODS, REFRIGERATION, COLD STORAGE & SINKS

#### VENT HOODS

- 5 Year Warranty on all Stainless Steel Construction
- 3 Year Warranty on Blowers, LED Lighting, Wiring Harness and Switches

#### 15" & 24" REFRIGERATION MODELS

- 3 Year Warranty on all construction including Compressors
- 1 Year Warranty on Transformer, LED Bulbs, LED Harness, Power Source Wire, LED Switches, Interior Halogen Light Wire/Bulbs

#### 21" REFRIGERATION MODELS

- 1 Year Warranty on all Construction & Electrical components including Compressor, Transformer, LED Bulbs, LED Harness, Power Source Wire, LED Switches, Interior Halogen Light Wire/Bulbs

#### COLD STORAGE & SINKS

- Gold Standard Lifetime Warranty on Ice Chest
- Gold Standard Lifetime Warranty on Drains & Faucets

### DRAWERS, DOORS, GRILL LINERS, & CARTS

- Gold Standard Lifetime Warranty on Construction, Workmanship and Materials for all Stainless Steel parts, Including Doors, Drawers, Grill Liners, & Carts
- 3 Year Warranty on Electrical (Warming Drawers)

### COVERS

- Gold Standard Lifetime Warranty on Covers, including Grills, Carts, Side/Power Burners, Gas Griddle & Oven

### COMMERCIAL APPLICATIONS

#### GAS GRILLS

- Gold Standard Lifetime Warranty on Workmanship, Construction, & manufacturer defects for all commercial and/or hospitality applications
- Warranty is void upon misuse, including lack of regular cleaning, vandalism, or theft
- Warranty is valid only if regular maintenance is exercised. Due to the nature of commercial applications (multiple users, lack of control of use, etc.) regular maintenance is mandatory



14520 Delta Ln Suite 105  
Huntington Beach, CA 92647

(800) 966-8126  
TRUEFLAME.COM

VER. 030223