

DETAIL A
SCALE 1:1

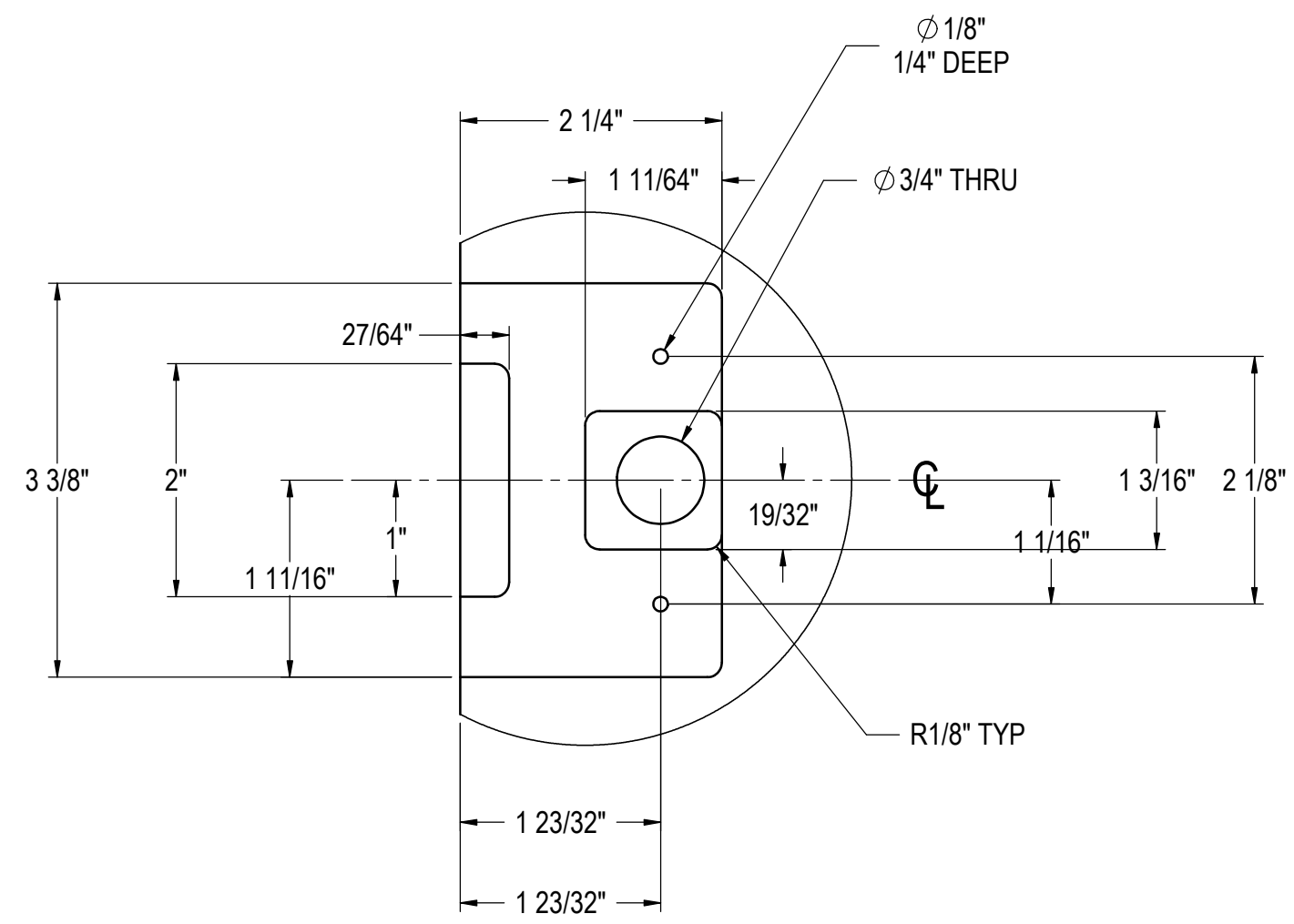
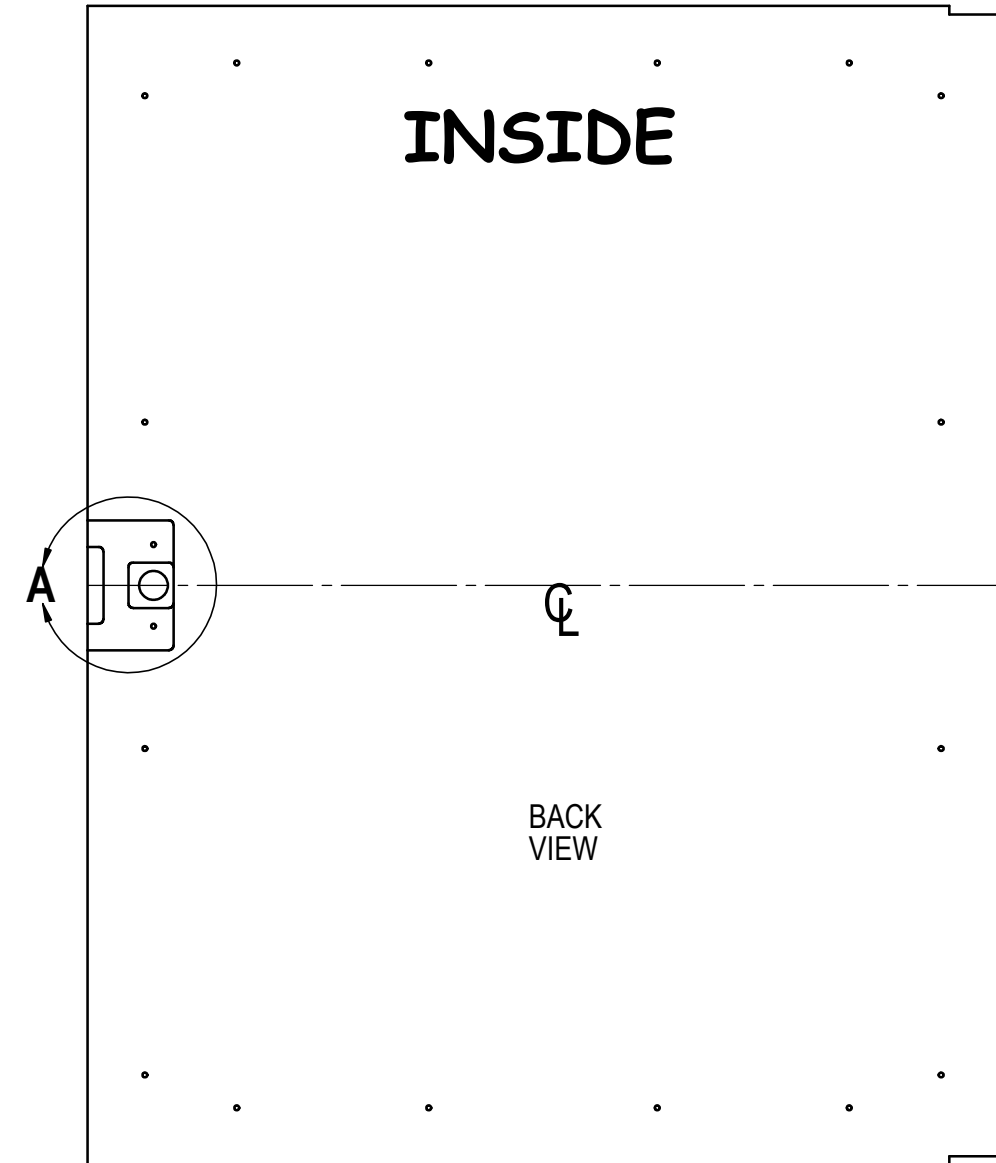
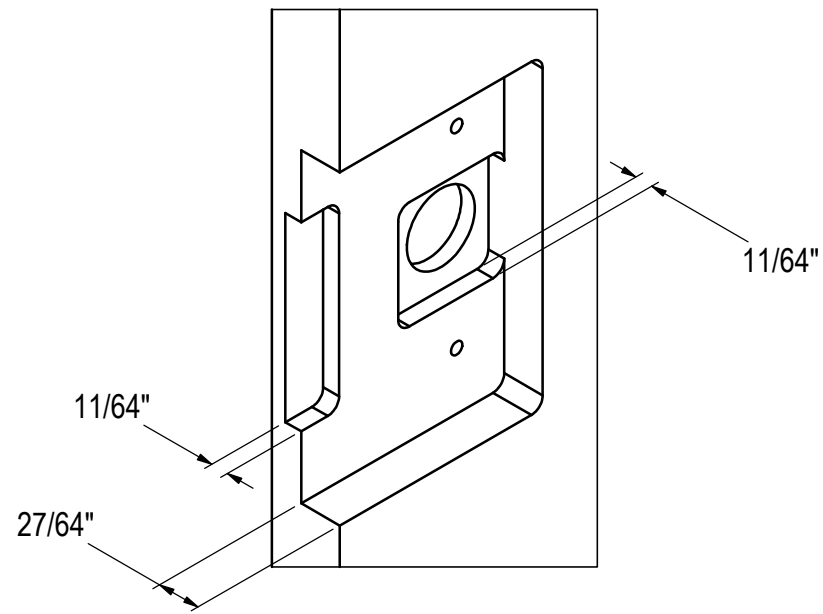
BACK
VIEW

**NOTE: VALID FOR ANY ORDERS
ENTER ON OR AFTER JAN. 1, 2016**

RELEASE FOR PRODUCTION		
A	11/10/2015	JMP
REVISIONS		

UNLESS OTHERWISE SPECIFIED: DIMENSIONS ARE IN INCHES TOLERANCES: .X = ±.05, .XX = ±.01, .XXX = ±.005, ANGULAR: ±.5°, FRACTIONS: ±1/64 BREAK SHARP EDGES - .015 X 45°. RADIUS SHARP FILLETS - .015 TO .031	SIGNATURES	DATE	Perlick Corporation Milwaukee, Wisconsin TITLE: SOLID WOOD OVERLAY HP & HC DOOR			
	DESIGNED JMP	11/10/2015			REFERENCE: PART NO. 68134A-3	DWG NO. 68134A
	DRAWN JMP	11/10/2015				
MATERIAL: WOOD	QTY.: FINISH:	11/10/2015				

THIS DOCUMENT / PUBLICATION / SOFTWARE / DRAWING CONTAINS PROPRIETARY INFORMATION WHICH IS THE PROPERTY OF THE PERLICK CORPORATION. IT MAY NOT BE REPRODUCED OR TRANSMITTED IN ANY FORM, ELECTRONIC OR MECHANICAL, INCLUDING PHOTOCOPYING, RECORDING, OR USED IN ANY INFORMATION STORAGE, TRANSMISSION, OR RETRIEVAL SYSTEM, WITHOUT WRITTEN PERMISSION FROM THE PERLICK CORPORATION. COPYRIGHT 2001 PERLICK CORPORATION. ALL RIGHTS RESERVED.



Ø 1/8"
1/4" DEEP

Ø 3/4" THRU

C

R1/8" TYP

BACK
VIEW

RELEASE FOR PRODUCTION		
A	11/10/2015	JMP
REVISIONS		

<small>UNLESS OTHERWISE SPECIFIED: DIMENSIONS ARE IN INCHES TOLERANCES: .X = ±.05, .XX = ±.01, .XXX = ±.005, ANGULAR: ±.5°, FRACTIONS: ±1/64 BREAK SHARP EDGES - .015 X 45°. RADIUS SHARP FILLETS - .015 TO .031</small>	SIGNATURES	DATE
	DESIGNED JMP	11/10/2015
	DRAWN JMP	11/10/2015
	CHECKED	11/10/2015

Perlick Corporation
Milwaukee, Wisconsin

TITLE:
**SOLID WOOD OVERLAY
RESIDENTIAL DOORS W/LOCKS**

MATERIAL:	QTY.:
FINISH:	

REFERENCE:	DWG NO.
PART NO.	68134A
PURCHASE REC.:	SCALE = 1:5 SHEET 15 OF 16

**NOTE: VALID FOR ANY ORDERS
ENTER ON OR AFTER JAN. 1, 2016**

DETAIL A
SCALE 1 : 1.5