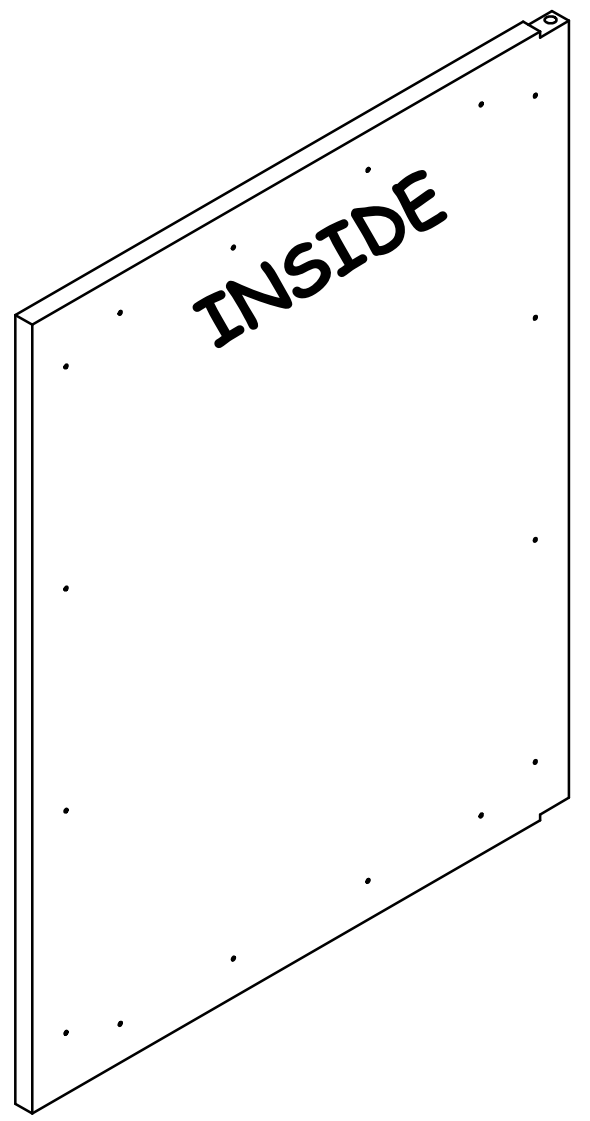


DETAIL A  
SCALE 1 : 1



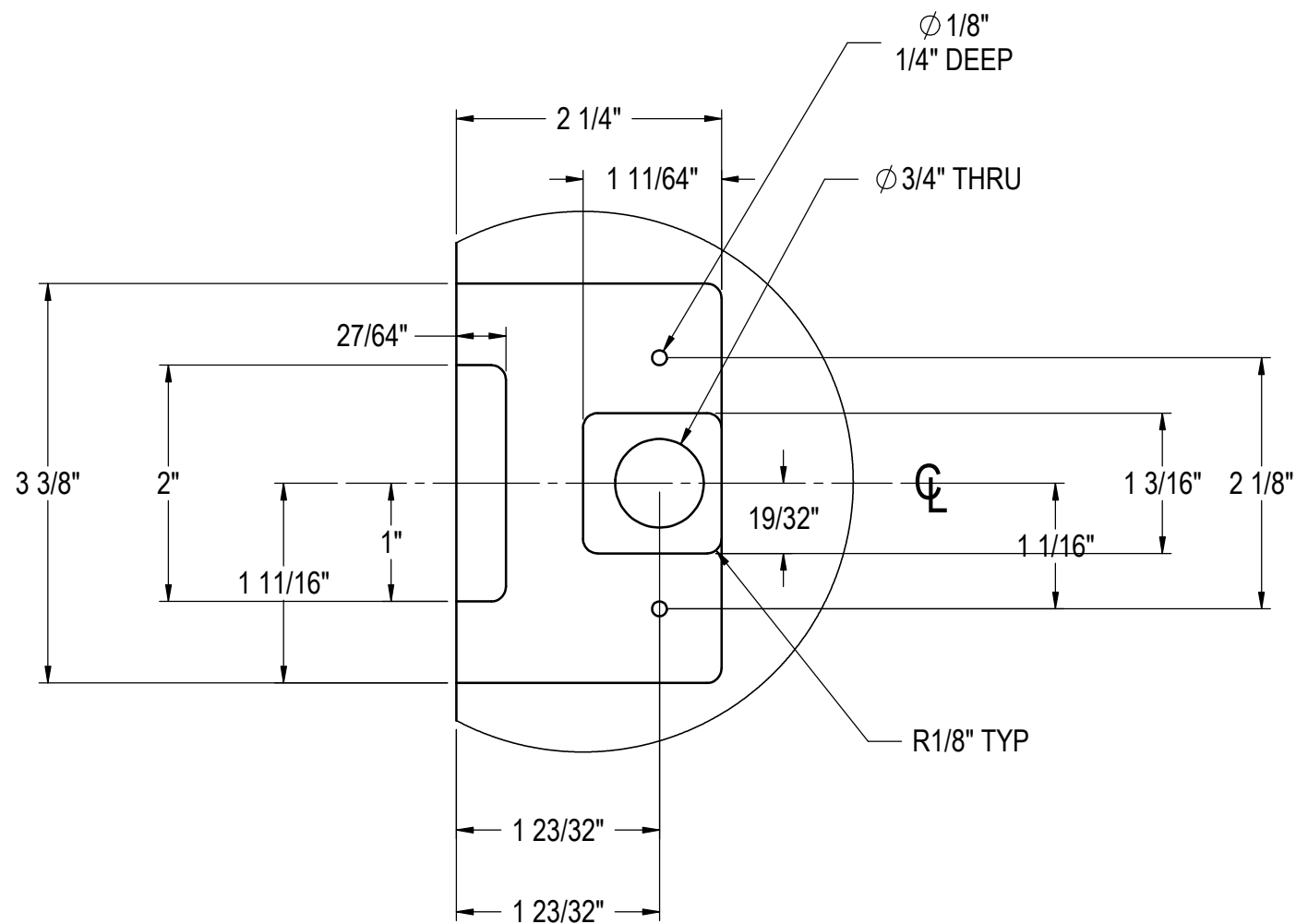
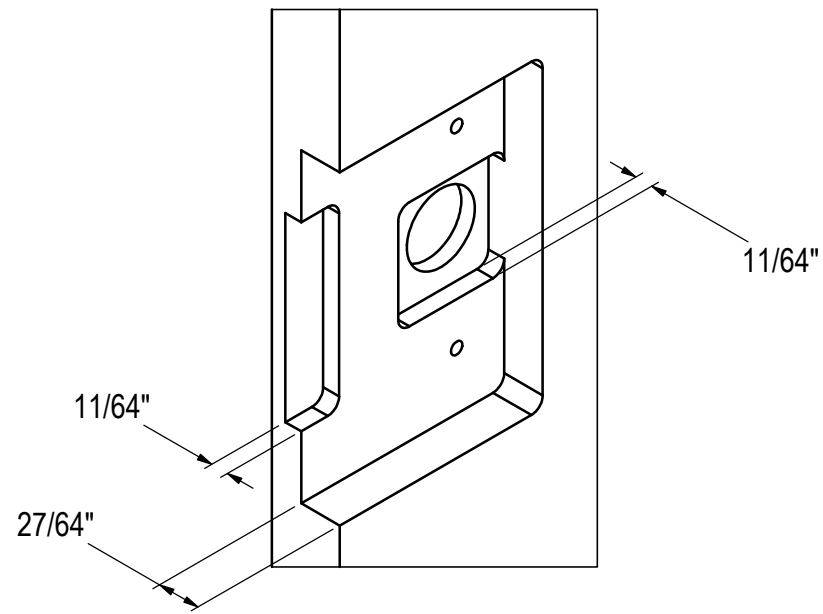
BACK  
VIEW

**NOTE: VALID FOR ANY ORDERS  
ENTER ON OR AFTER JAN. 1, 2016**

RELEASE FOR PRODUCTION		
A	11/10/2015	JMP
REVISIONS		

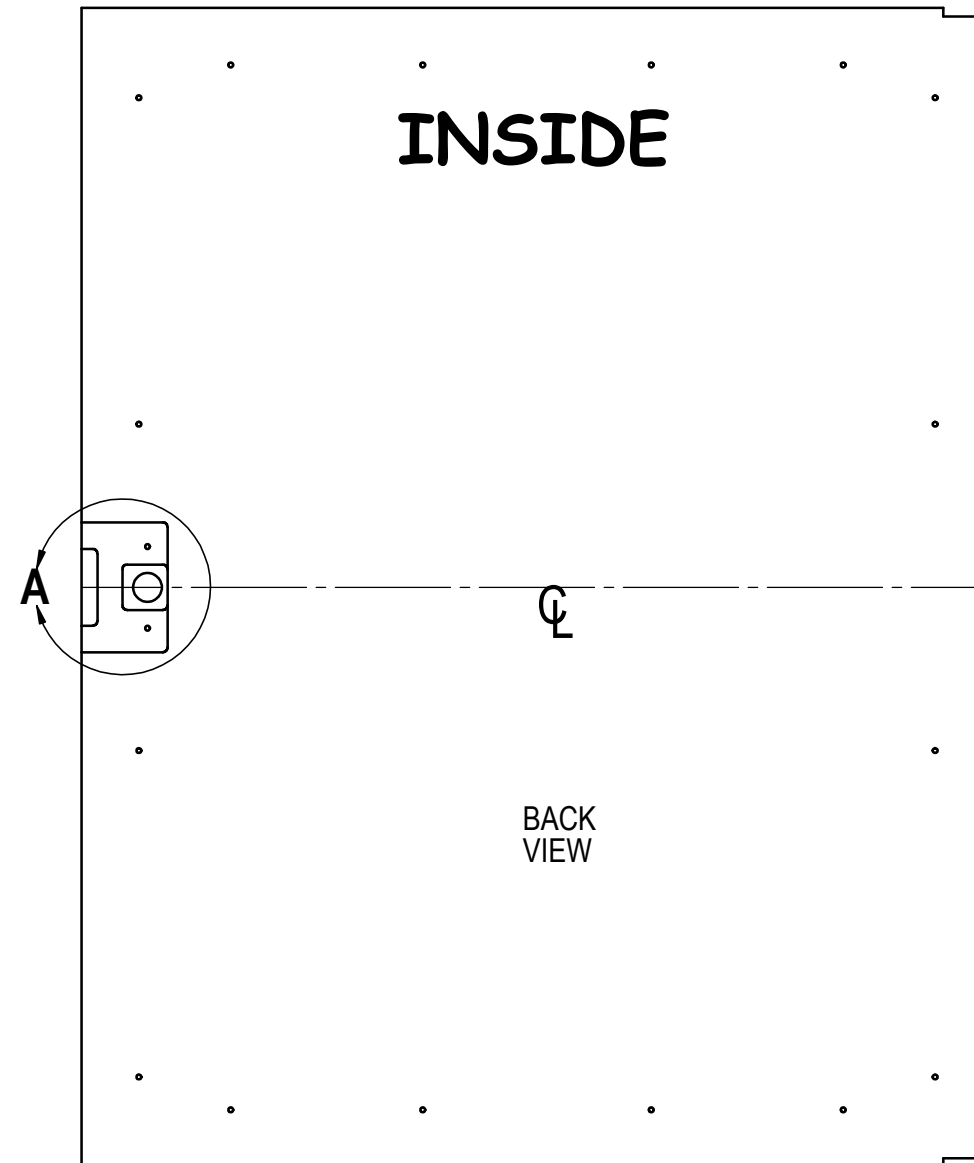
<small>UNLESS OTHERWISE SPECIFIED:          DIMENSIONS ARE IN INCHES          TOLERANCES:          .X = ±.05,          .XX = ±.01,          .XXX = ±.005,          ANGULAR: ±.5°, FRACTIONS: ±1/64          BREAK SHARP EDGES - .015 X 45°.          RADIUS SHARP FILLETS - .015 TO .031</small>	<b>SIGNATURES</b>	<b>DATE</b>	<b>Perlick Corporation</b> <b>Milwaukee, Wisconsin</b> <b>TITLE:</b> <b>SOLID WOOD OVERLAY          HP &amp; HC DOOR</b>		
	DESIGNED JMP	11/10/2015			
	DRAWN JMP	11/10/2015			
	CHECKED	11/10/2015			
<b>MATERIAL:</b> WOOD	<b>QTY.:</b>		<b>REFERENCE:</b>		
	<b>FINISH:</b>		<b>PART NO.</b> 68134A-3	<b>DWG NO.</b> <b>68134A</b>	
			<b>PURCHASE REC.:</b>	<b>SCALE = 1:5</b> <b>SHEET 3 OF 16</b>	

THIS DOCUMENT / PUBLICATION / SOFTWARE / DRAWING CONTAINS PROPRIETARY INFORMATION WHICH IS THE PROPERTY OF THE PERLICK CORPORATION. IT MAY NOT BE REPRODUCED OR TRANSMITTED IN ANY FORM, ELECTRONIC OR MECHANICAL, INCLUDING PHOTOCOPYING, RECORDING, OR USED IN ANY INFORMATION STORAGE, TRANSMISSION, OR RETRIEVAL SYSTEM, WITHOUT WRITTEN PERMISSION FROM THE PERLICK CORPORATION. COPYRIGHT 2001 PERLICK CORPORATION. ALL RIGHTS RESERVED.



DETAIL A  
SCALE 1 : 1.5

**NOTE: VALID FOR ANY ORDERS  
ENTER ON OR AFTER JAN. 1, 2016**



RELEASE FOR PRODUCTION

A	11/10/2015	JMP
---	------------	-----

REVISIONS

UNLESS OTHERWISE SPECIFIED:

DIMENSIONS ARE IN INCHES  
TOLERANCES:  
.X = ±.05,  
.XX = ±.01,  
.XXX = ±.005,  
ANGULAR: ±.5°, FRACTIONS: ±1/64  
BREAK SHARP EDGES - .015 X 45°.  
RADIUS SHARP FILLETS - .015 TO .031

SIGNATURES	DATE
DESIGNED JMP	11/10/2015
DRAWN JMP	11/10/2015
CHECKED	11/10/2015

**Perlick Corporation**  
Milwaukee, Wisconsin

TITLE:  
**SOLID WOOD OVERLAY  
RESIDENTIAL DOORS W/LOCKS**

MATERIAL:

QTY.:

FINISH:

REFERENCE:

PART NO.

DWG NO.

**68134A**

PURCHASE REC.:

SCALE = 1:5

SHEET 15 OF 16

THIS DOCUMENT / PUBLICATION / SOFTWARE / DRAWING CONTAINS PROPRIETARY INFORMATION WHICH IS THE PROPERTY OF THE PERLICK CORPORATION. IT MAY NOT BE REPRODUCED OR TRANSMITTED IN ANY FORM, ELECTRONIC OR MECHANICAL, INCLUDING PHOTOCOPYING, RECORDING, OR USED IN ANY INFORMATION STORAGE, TRANSMISSION, OR RETRIEVAL SYSTEM, WITHOUT WRITTEN PERMISSION FROM THE PERLICK CORPORATION. COPYRIGHT 2001 PERLICK CORPORATION. ALL RIGHTS RESERVED.