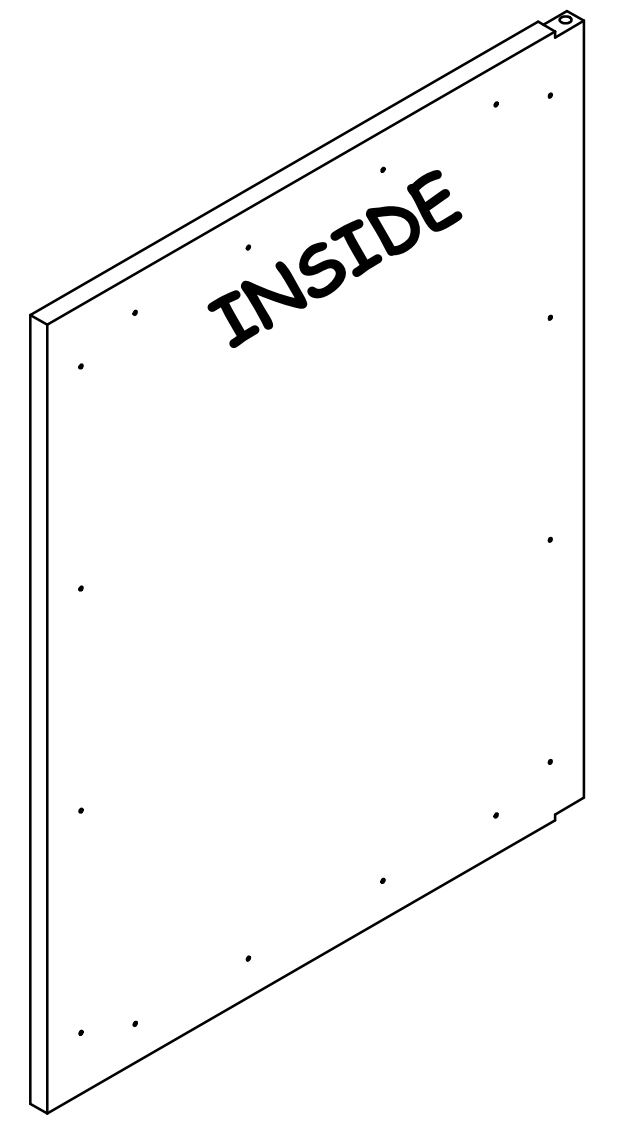


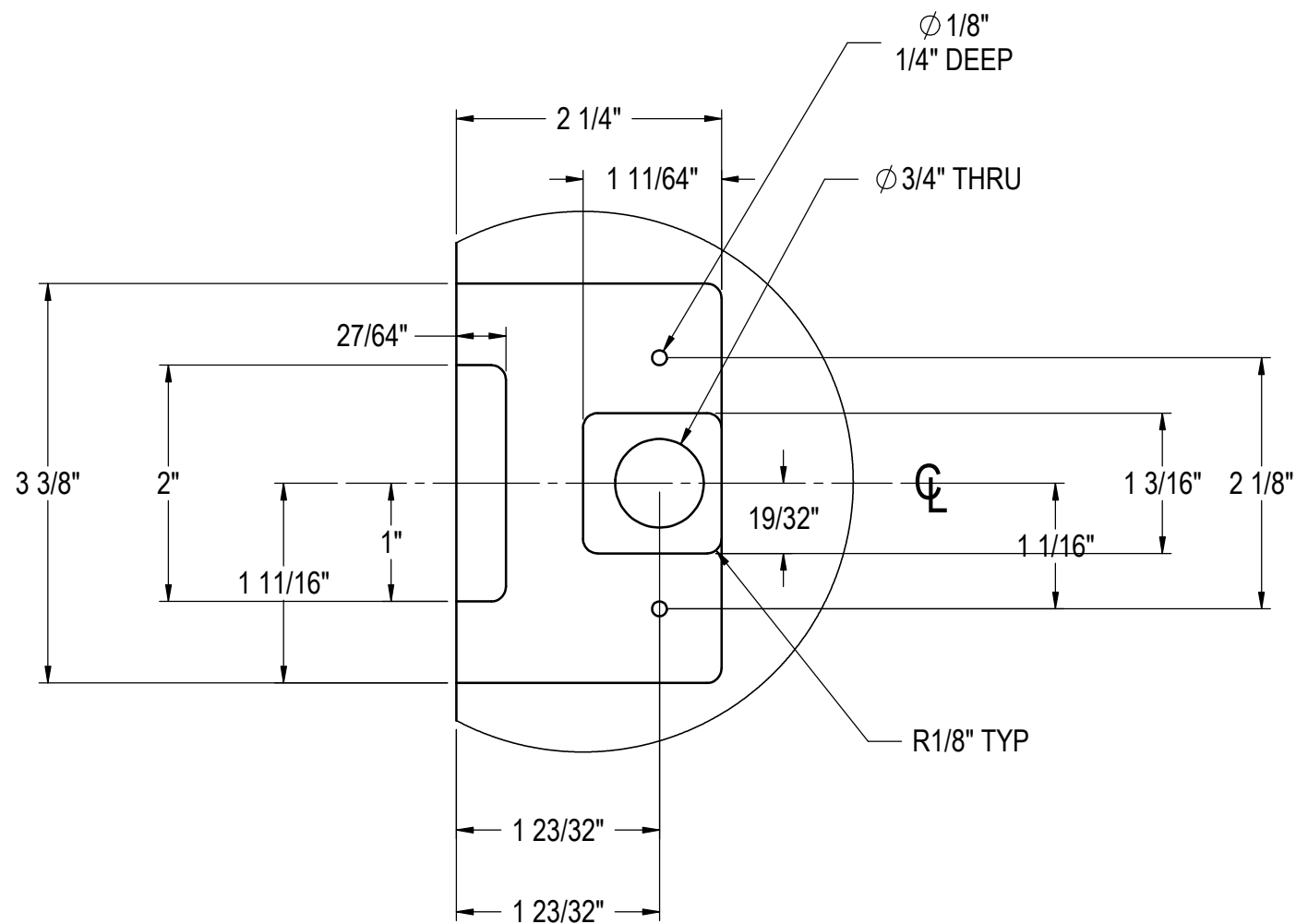
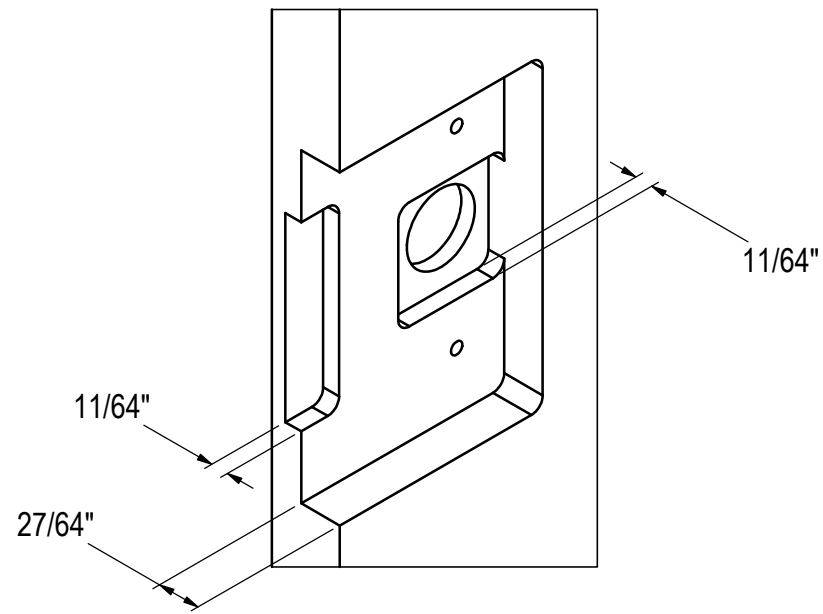
DETAIL A  
SCALE 1:1



RELEASE FOR PRODUCTION		
A	11/10/2015	JMP
REVISIONS		

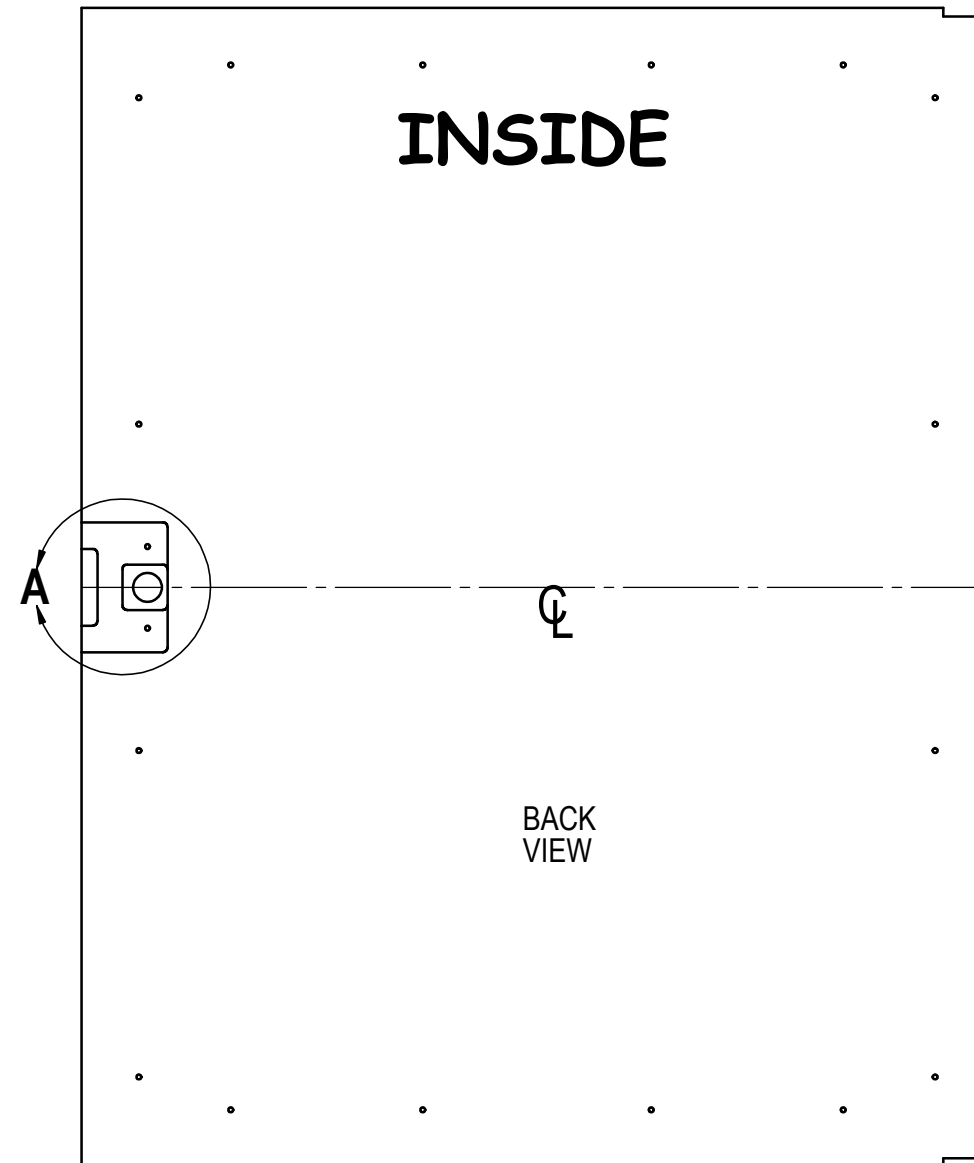
UNLESS OTHERWISE SPECIFIED: DIMENSIONS ARE IN INCHES TOLERANCES: .X = ±.05, .XX = ±.01, .XXX = ±.005, ANGULAR: ±.5°, FRACTIONS: ±1/64 BREAK SHARP EDGES - .015 X 45°. RADIUS SHARP FILLETS - .015 TO .031	<b>SIGNATURES</b>	<b>DATE</b>	<b>Perlick Corporation</b> <b>Milwaukee, Wisconsin</b> <b>TITLE:</b> <b>SOLID WOOD OVERLAY</b> <b>HP &amp; HC DOOR</b>		
	DESIGNED	JMP			11/10/2015
	DRAWN	JMP			11/10/2015
	CHECKED		11/10/2015	<b>REFERENCE:</b> <b>PART NO.</b> 68134A-3	
<b>MATERIAL:</b> WOOD	<b>QTY.:</b>			<b>DWG NO.</b> <b>68134A</b>	
	<b>FINISH:</b>			<b>PURCHASE REC.:</b>	
			SCALE =	1:5	
				SHEET 3 OF 16	

**NOTE: VALID FOR ANY ORDERS  
ENTER ON OR AFTER JAN. 1, 2016**



DETAIL A  
SCALE 1 : 1.5

**NOTE: VALID FOR ANY ORDERS  
ENTER ON OR AFTER JAN. 1, 2016**



BACK  
VIEW

RELEASE FOR PRODUCTION

A	11/10/2015	JMP
---	------------	-----

REVISIONS

UNLESS OTHERWISE SPECIFIED:

DIMENSIONS ARE IN INCHES  
TOLERANCES:  
.X = ±.05,  
.XX = ±.01,  
.XXX = ±.005,  
ANGULAR: ±.5°, FRACTIONS: ±1/64  
BREAK SHARP EDGES - .015 X 45°.  
RADIUS SHARP FILLETS - .015 TO .031

SIGNATURES	DATE
DESIGNED JMP	11/10/2015
DRAWN JMP	11/10/2015
CHECKED	11/10/2015

MATERIAL:

QTY.:

FINISH:

**Perlick Corporation**  
Milwaukee, Wisconsin

TITLE:  
**SOLID WOOD OVERLAY  
RESIDENTIAL DOORS W/LOCKS**

REFERENCE:

PART NO. DWG NO.

**68134A**

PURCHASE REC.: SCALE = 1:5 SHEET 15 OF 16

THIS DOCUMENT / PUBLICATION / SOFTWARE / DRAWING CONTAINS PROPRIETARY INFORMATION WHICH IS THE PROPERTY OF THE PERLICK CORPORATION. IT MAY NOT BE REPRODUCED OR TRANSMITTED IN ANY FORM, ELECTRONIC OR MECHANICAL, INCLUDING PHOTOCOPYING, RECORDING, OR USED IN ANY INFORMATION STORAGE, TRANSMISSION, OR RETRIEVAL SYSTEM, WITHOUT WRITTEN PERMISSION FROM THE PERLICK CORPORATION. COPYRIGHT 2001 PERLICK CORPORATION. ALL RIGHTS RESERVED.