

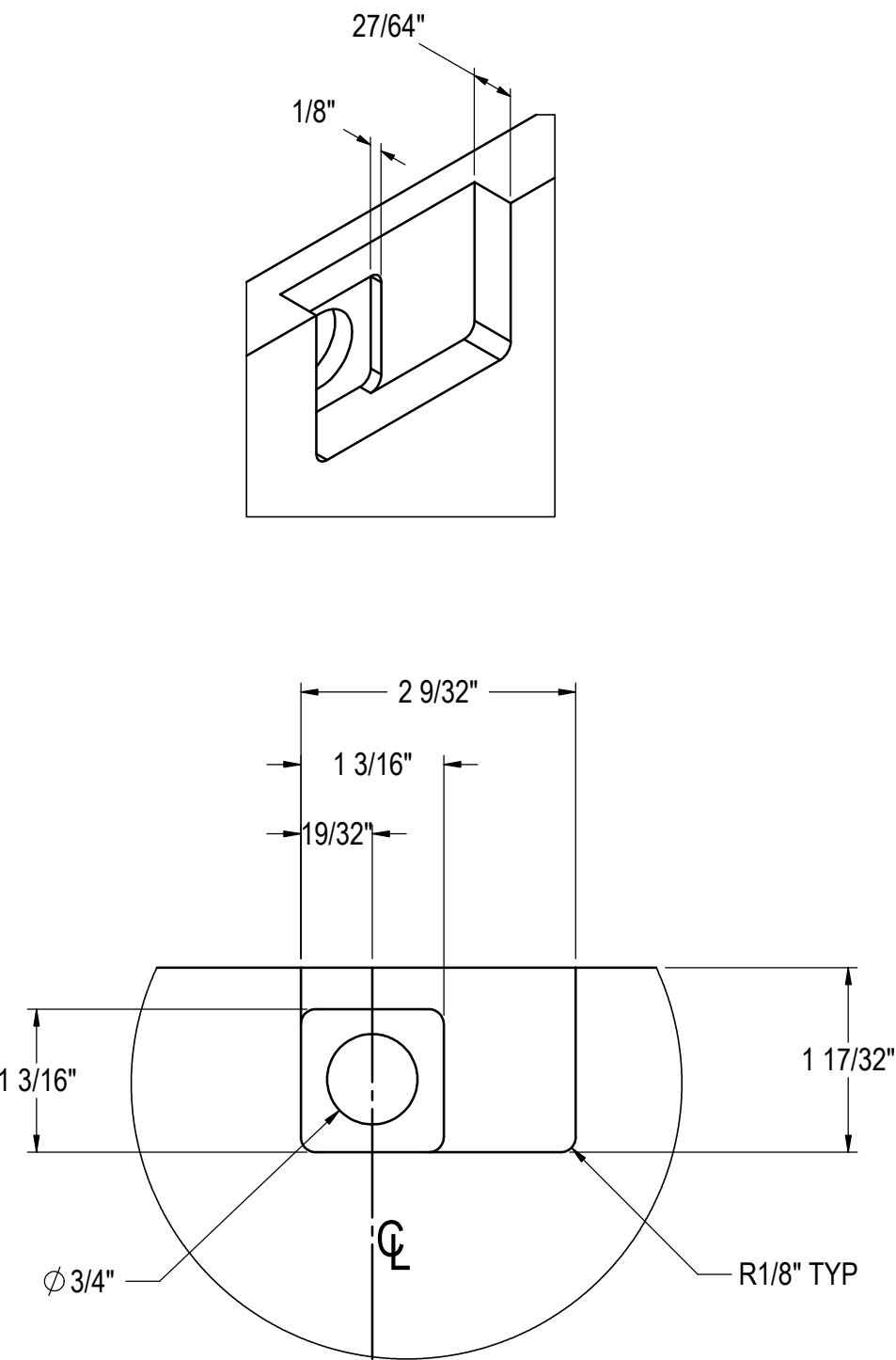
THIS FEATURE ONLY REQUIRED ON UPPER DRAWERS WITH LOCKS.

NOTE: VALID FOR ANY ORDERS ENTER ON OR AFTER JAN. 1, 2016

RELEASE FOR PRODUCTION		
A	11/10/2015	JMP
REVISIONS		

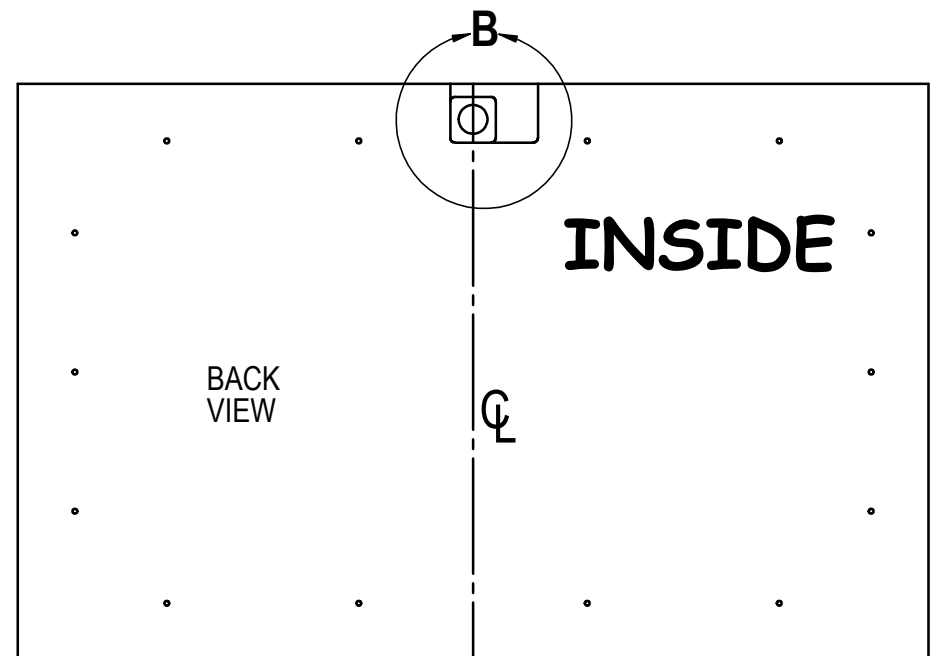
UNLESS OTHERWISE SPECIFIED: DIMENSIONS ARE IN INCHES TOLERANCES: .X = ±.05, .XX = ±.01, .XXX = ±.005, ANGULAR: ±.5°, FRACTIONS: ±1/64 BREAK SHARP EDGES - .015 X 45°. RADIUS SHARP FILLETS - .015 TO .031	SIGNATURES	DATE	Perlick Corporation Milwaukee, Wisconsin TITLE: SOLID WOOD OVERLAY RESIDENTIAL 24" STD. HEIGHT DRAWERS	
	DESIGNED JMP	11/10/2015		
	DRAWN JMP	11/10/2015		
	CHECKED	11/10/2015	REFERENCE: PART NO. 68134A-6 DWG NO. 68134A	
MATERIAL: WOOD	QTY.:	FINISH:	PURCHASE REC.:	SCALE = 1:5
			SHEET 6 OF 16	

THIS DOCUMENT / PUBLICATION / SOFTWARE / DRAWING CONTAINS PROPRIETARY INFORMATION WHICH IS THE PROPERTY OF THE PERLICK CORPORATION. IT MAY NOT BE REPRODUCED OR TRANSMITTED IN ANY FORM, ELECTRONIC OR MECHANICAL, INCLUDING PHOTOCOPYING, RECORDING, OR USED IN ANY INFORMATION STORAGE, TRANSMISSION, OR RETRIEVAL SYSTEM, WITHOUT WRITTEN PERMISSION FROM THE PERLICK CORPORATION. COPYRIGHT 2001 PERLICK CORPORATION. ALL RIGHTS RESERVED.



DETAIL B
SCALE 1 : 1.5

**NOTE: VALID FOR ANY ORDERS
ENTER ON OR AFTER JAN. 1, 2016**



RELEASE FOR PRODUCTION		
A	11/10/2015	JMP
REVISIONS		

<small>UNLESS OTHERWISE SPECIFIED: DIMENSIONS ARE IN INCHES TOLERANCES: .X = ±.05, .XX = ±.01, .XXX = ±.005, ANGULAR: ±.5°, FRACTIONS: ±1/64 BREAK SHARP EDGES - .015 X 45°. RADIUS SHARP FILLETS - .015 TO .031</small>	SIGNATURES	DATE	Perlick Corporation Milwaukee, Wisconsin TITLE: SOLID WOOD OVERLAY RESIDENTIAL LOWER DRAWERS W/LOCKS		
	DESIGNED	JMP			11/10/2015
	DRAWN	JMP			11/10/2015
	CHECKED		11/10/2015	REFERENCE: PART NO. DWG NO. 68134A	
MATERIAL:	QTY.:	FINISH:	PURCHASE REC.:	SCALE = 1:5	
<small>THIS DOCUMENT / PUBLICATION / SOFTWARE / DRAWING CONTAINS PROPRIETARY INFORMATION WHICH IS THE PROPERTY OF THE PERLICK CORPORATION. IT MAY NOT BE REPRODUCED OR TRANSMITTED IN ANY FORM, ELECTRONIC OR MECHANICAL, INCLUDING PHOTOCOPYING, RECORDING, OR USED IN ANY INFORMATION STORAGE, TRANSMISSION, OR RETRIEVAL SYSTEM, WITHOUT WRITTEN PERMISSION FROM THE PERLICK CORPORATION. COPYRIGHT 2001 PERLICK CORPORATION. ALL RIGHTS RESERVED.</small>					