



**24" C-SERIES**  
*Refrigerated Drawers*



**eco friendly**  
R600a Refrigerant



JOB	
AREA	
ITEM NO.	
MODEL NO.	



**Drawer Model (Indoor)**



**Drawer Model (Outdoor)**

MODELS	DESCRIPTION
<b>HC24RB-4-5</b>	Indoor C-Series Refrigerated Stainless Steel Drawers
<b>HC24RB-4-6</b>	Indoor C-Series Refrigerated Panel Ready Drawers
<b>HC24RO-4-5</b>	Outdoor C-Series Refrigerated Stainless Steel Drawers
<b>HC24RO-4-6</b>	Outdoor C-Series Refrigerated Panel Ready Drawers

**KEY PRODUCT FEATURES AND BENEFITS**

- 800 BTU/hr capacity delivers commercial grade cooling performance
- Variable speed compressor minimizes sound; up to 30% quieter than competitors
- Smooth glide self closing drawers offer high storage capacity
- Commercial-grade all stainless steel interior provides superior durability and easy cleaning

**Quick Features:**

- Industry's best full 6 year warranty for owner ease of mind
- Available with stainless steel or panel ready door to match your design style
- Outdoor models include a full stainless steel exterior; indoor models feature a black vinyl exterior for built in applications
- Audible door alarm warns user if drawer is held open
- White LED task lighting
- R600a Natural Refrigerant offers maximum energy efficiency with zero ozone depletion potential



**24" C-SERIES**  
*Refrigerated Drawers*

MODEL NUMBERS		HC24RB	HC24RO
MODEL DESCRIPTION		24" Indoor Refrigerated Drawers	24" Outdoor Refrigerated Drawers
ATTRIBUTES			
Perlick Anti-Condensation System		NO	NO
Energy Star Certified		YES	YES
OVERALL DIMENSIONS	Width - in. (mm)	23-7/8" (606 mm.)	23-7/8" (606 mm.)
	Depth - in. (mm)	24" (610 mm.)	24" (610 mm.)
	Height - in. (mm)	34-1/4" (870 mm.)	34-1/4" (870 mm.)
STANDARD OPENING DIMENSIONS	Width - in. (mm)	24" (610 mm.)	24" (610 mm.)
	Depth - in. (mm)	24-7/8" (632 mm.)	24-7/8" (632 mm.)
	Height - in. (mm)	34-1/2" (876 mm.)	34-1/2" (876 mm.)
INTERNAL VOLUME Net. Cu. Ft.		5.2 cu. ft.	5.2 cu. ft.
SHIPPING WEIGHT Lbs. (kg.)		183 lbs (83.01 kg.)	183 lbs (83.01 kg.)
ELECTRICAL SPECIFICATIONS	Electrical Supply	115 VAC/60 Hz/1 Ph	115 VAC/60 Hz/1 Ph
	Running Load Amps	1.9 amps	1.9 amps
	Electrical Connection	Cord connected	Cord connected
	Cord Plug Type	NEMA 3 Prong 5-15P	NEMA 3 Prong 5-15P
	Cord Length	6'	6'
	Defrost Initiation	Automatic	Automatic
	Defrost Type	Off cycle	Off cycle
	Thermostat	Digital	Digital
REFRIGERATION SPECIFICATIONS	Refrigerant	R600a (62g)	R600a (62g)
	Expansion Device	Capillary Tube	Capillary Tube
	Temperature Settings F°(C°)	33° (0.5°) - 48° (8.8°) <b>Factory Set Point 36° (2.2°)</b>	33° (0.5°) - 48° (8.8°) <b>Factory Set Point 36° (2.2°)</b>
	Heat Rejection (at 75°F)	450 BTU/hr	450 BTU/hr
	Pull Down Capacity	800 BTU/hr	800 BTU/hr
	Front Vented	Yes	Yes
PLUMBING		None Required	None Required

*Installation Notes: To achieve 24" install depth, place electrical connection adjacent to the installation cavity.*

**ACCESSORIES**

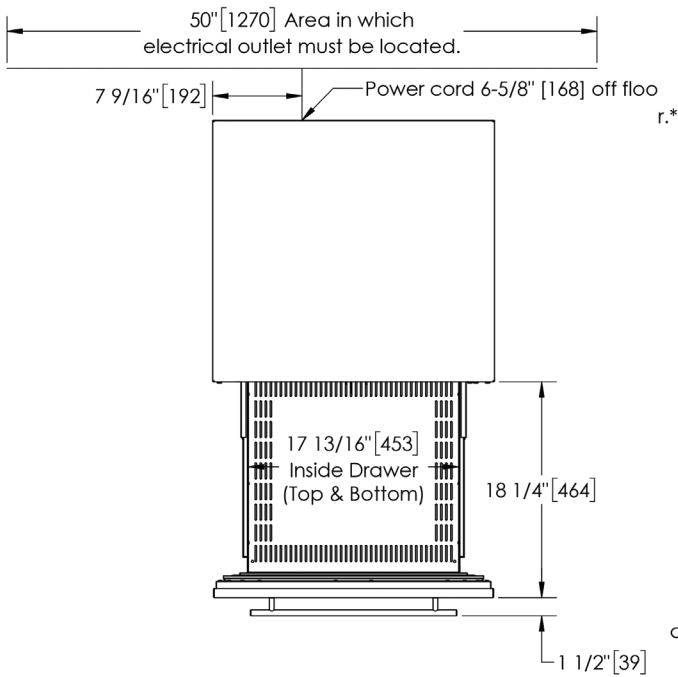
MODEL NOS.	DESCRIPTION
(L)	Factory Installed Lock
66736	Caster Kit for HP24/HC24/HA24 models
RS-24-24D	Divider Shelf for HP24/HC24/HA24 models

Perlick accessories are available for purchase through an authorized Perlick dealer. For a full list of accessories and to find a dealer near you, visit [perlick.com](http://perlick.com).



**24" C-SERIES**  
Refrigerated Drawers

CUSTOMER MODEL NUMBER	REGULATORY MODEL NUMBER	Hinge Side	Lock
HC24RB-4-5	HC24RB4E-00-EDS0D	Drawers	No
HC24RB-4-6	HC24RB4E-00-DD00D	Drawers	No
HC24RB-4-5DL	HC24RB4E-00-EDSLD	Drawers	Yes
HC24RB-4-6DL	HC24RB4E-00-DD0LD	Drawers	Yes
HC24RO-4-5	HC24RO4E-00-EDS0D	Drawers	No
HC24RO-4-6	HC24RO4E-00-DD00D	Drawers	No
HC24RO-4-5DL	HC24RO4E-00-EDSLD	Drawers	Yes
HC24RO-4-6DL	HC24RO4E-00-DD0LD	Drawers	Yes



\*- Leg levelers can add 3/4" [19] to these dimensions when fully extended.

