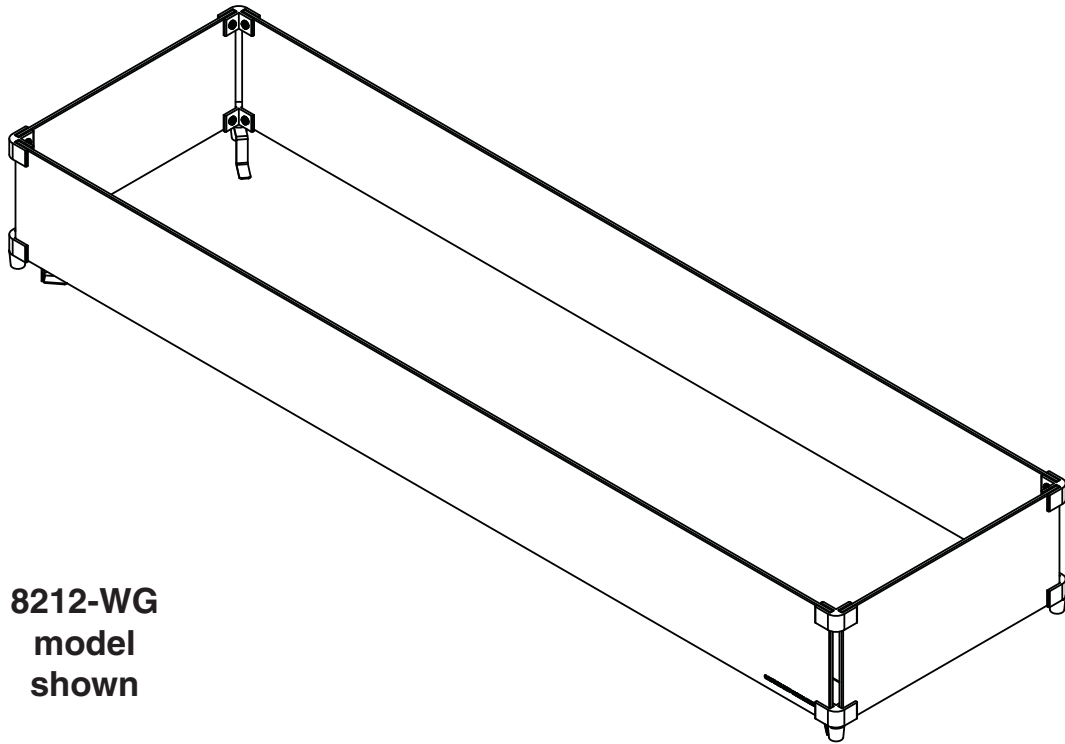


MILAN WIND GUARDS

Firetable Model: 8212-WG

Fireplace Model: 8214-WG



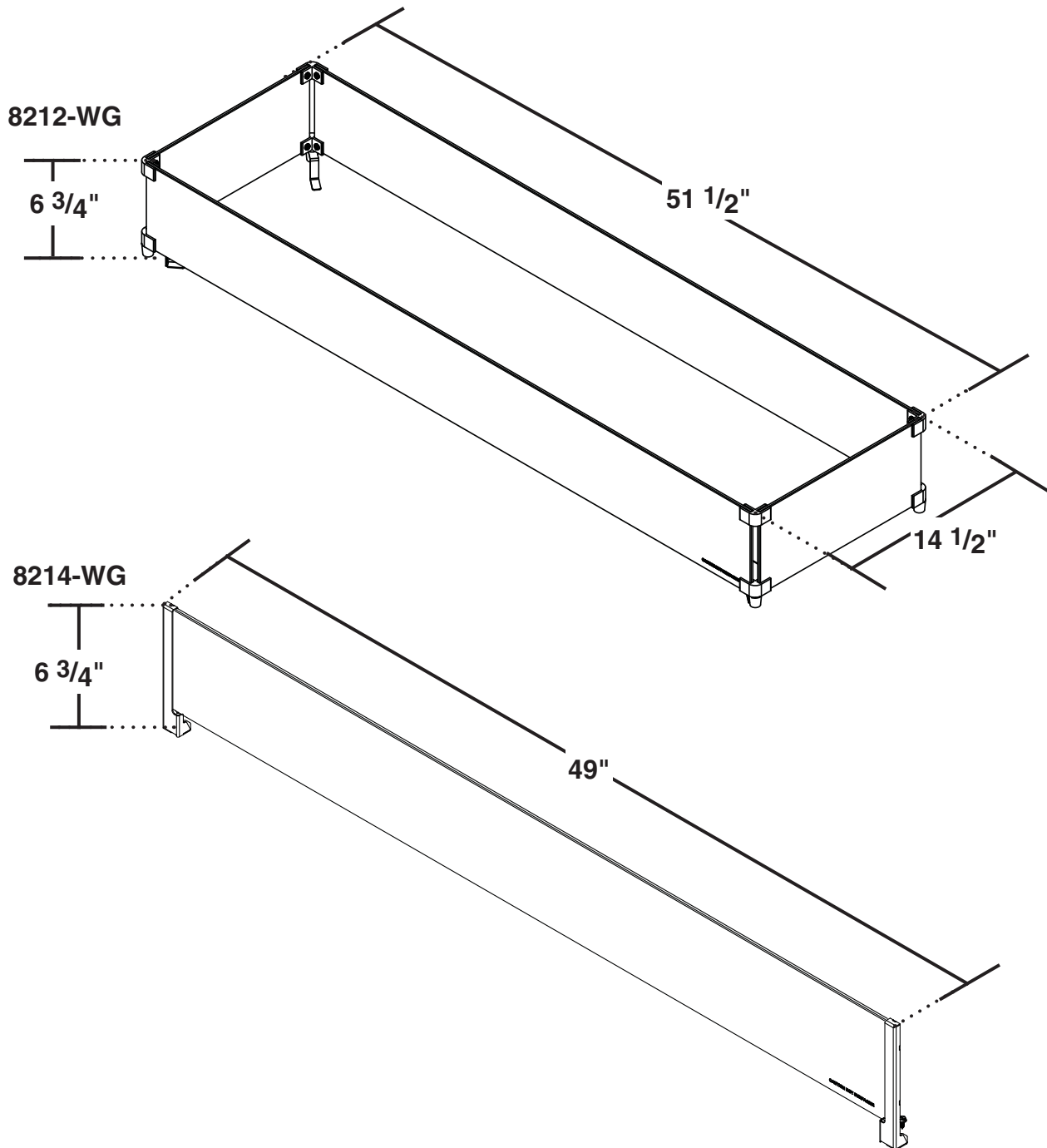
**8212-WG
model
shown**

SPECIFICATIONS AND DIMENSIONS

This wind guard is for use with your American Fyre Designs Milan firetable / fireplace.

CAUTION: DO NOT touch any part of this accessory during operation or when HOT! The glass panels and other surfaces get HOT and can cause burns if touched.

Be sure the firetable / fireplace and this accessory are completely cool when handling.



TOOLS REQUIRED

- Phillips screwdriver
- 5/16" nut driver
- 2 assemblers recommended
- Soft cotton gloves for handling glass panels

Note: Use a soft non-abrasive surface for assembly to prevent any damage.

PARTS LIST

8212-WG

Mounting bracket kit

(QTY of 4)

WG-BK-2

1x

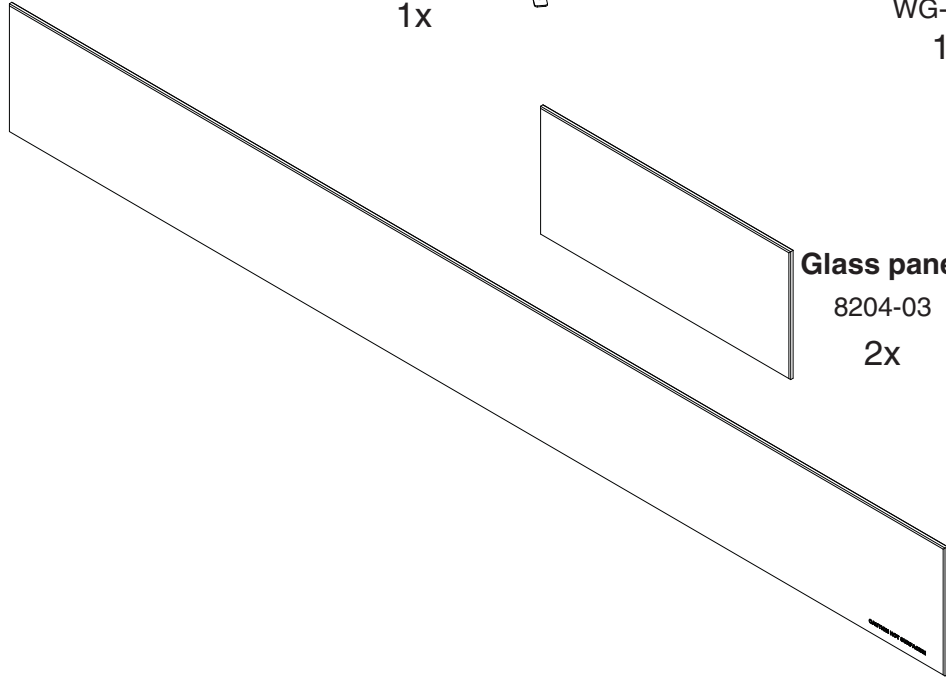


Bracket kit

(QTY of 4 top & 4 bottom)

WG-BK-1

1x



Glass panel

8204-03

2x

Glass panel

8212-04

2x

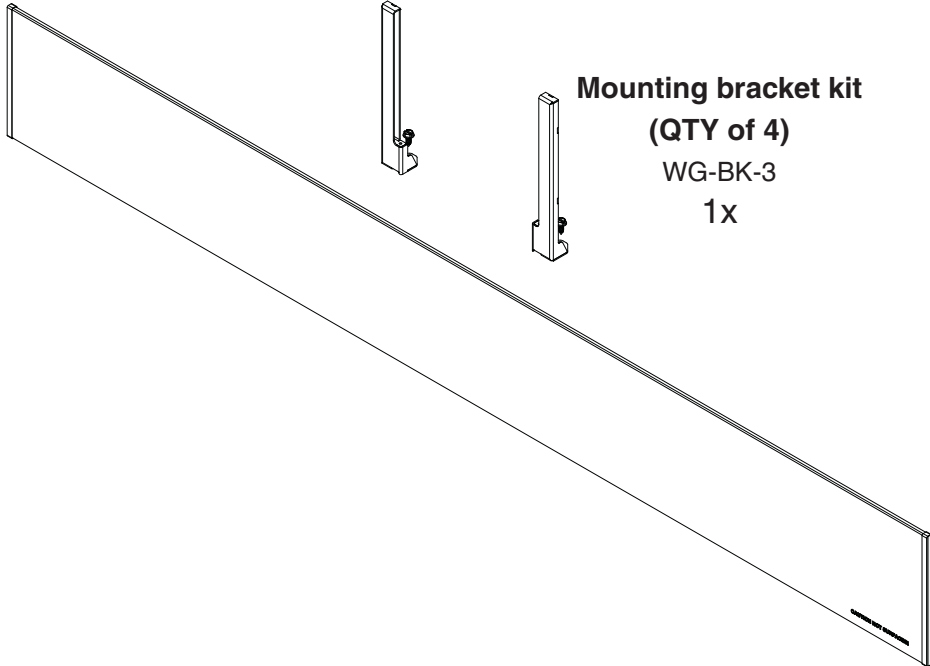
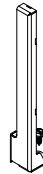
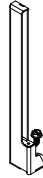
8214-WG

Mounting bracket kit

(QTY of 4)

WG-BK-3

1x



Glass panel

8214-04

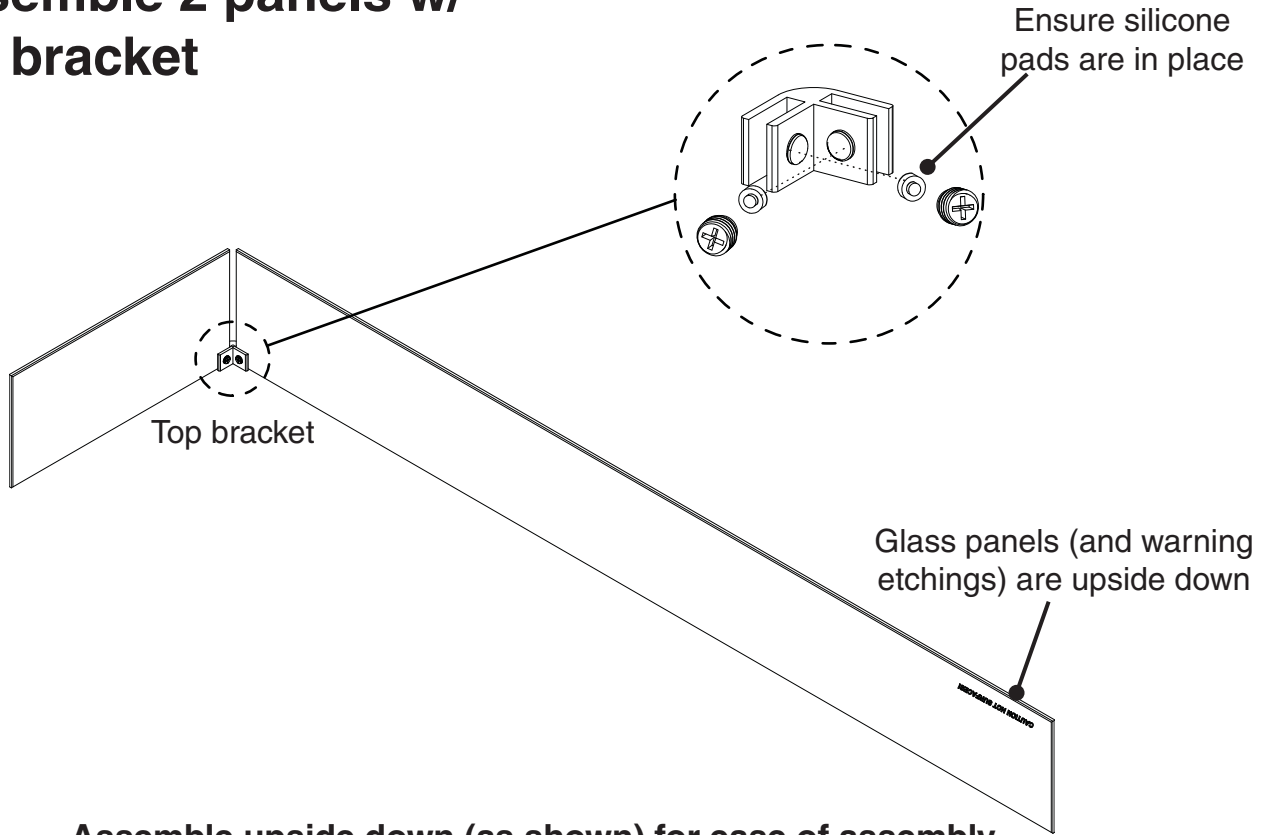
2x

IMPORTANT

Remove all packing material
and discard prior to use.

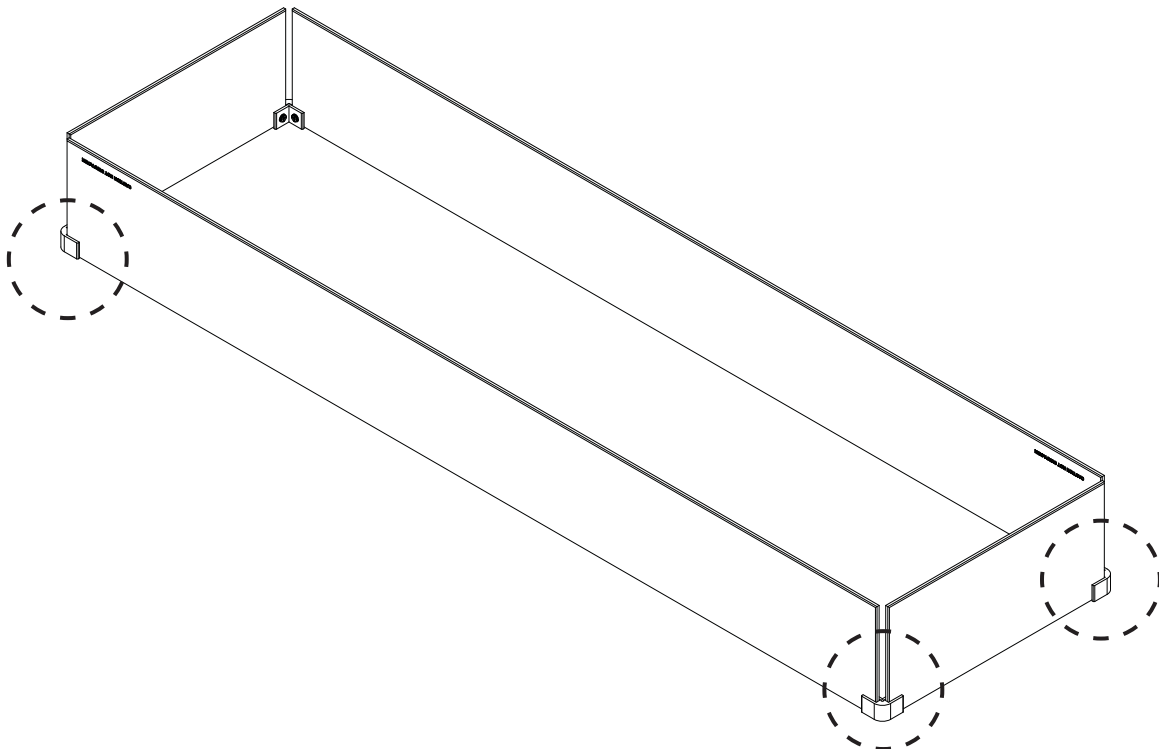
**HANDLE
WITH CARE
GLASS**

1 Assemble 2 panels w/ top bracket



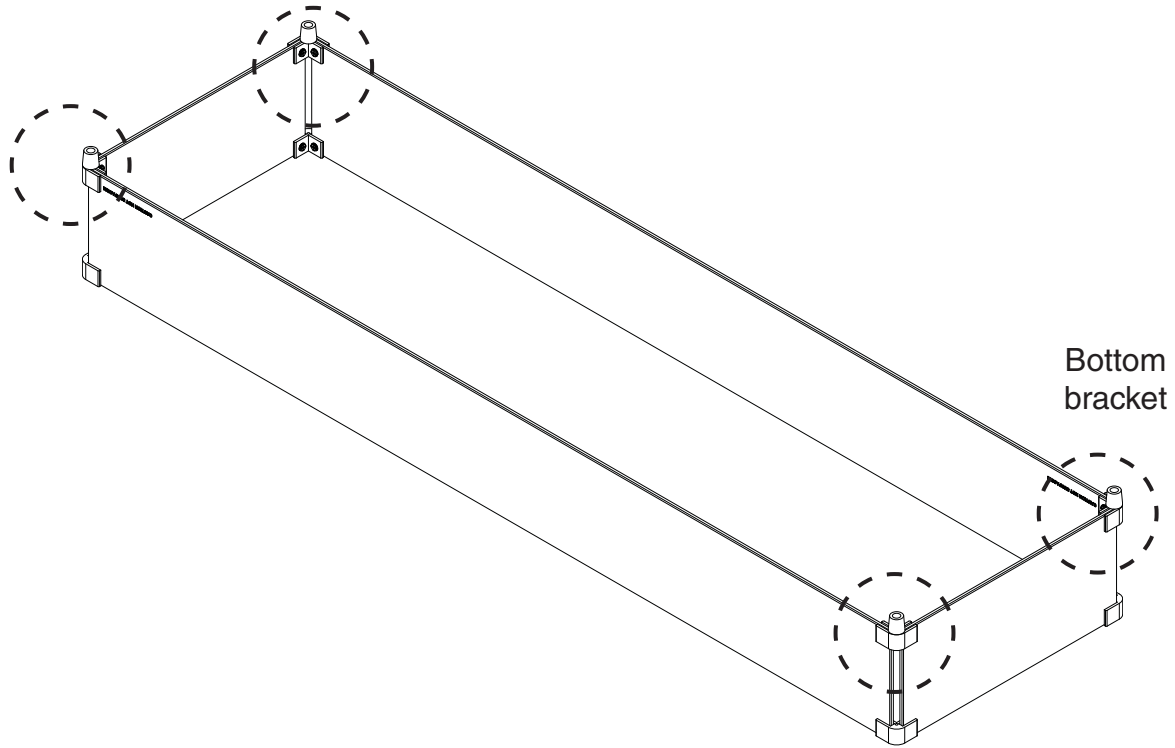
Assemble upside down (as shown) for ease of assembly.

2 Assemble all panels w/ remaining top brackets



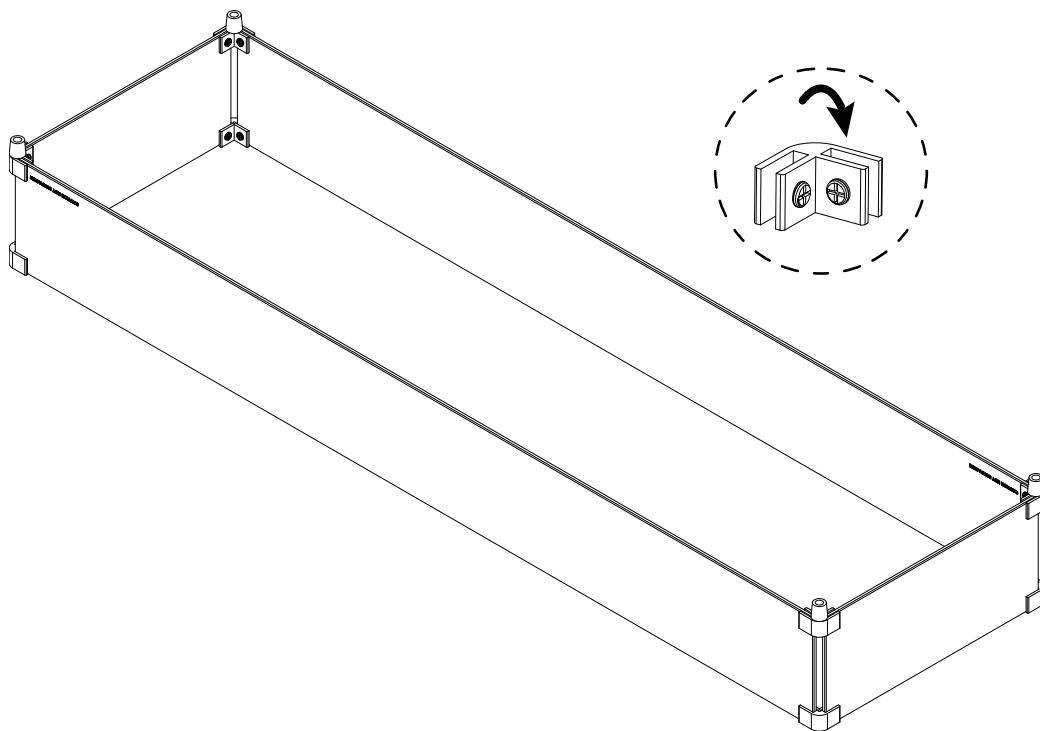
DO NOT overtighten screws. Tighten until snug. Overtightening can break glass.

3 Install bottom brackets



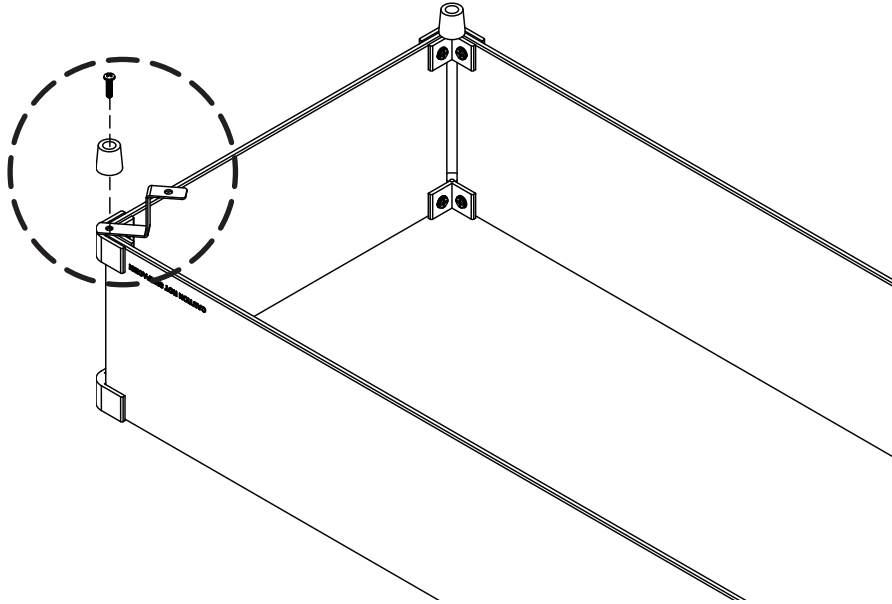
DO NOT overtighten screws. Tighten until snug. Overtightening can break glass.

4 Finish securing all screws



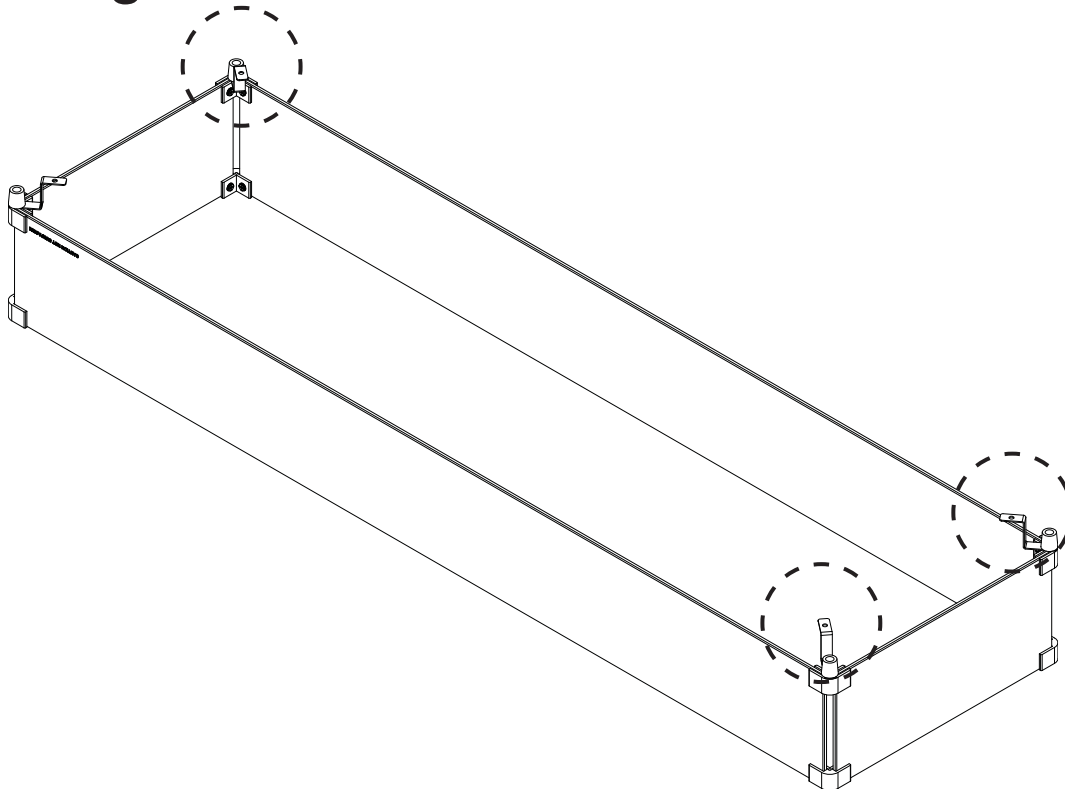
Gently secure all screws (on all brackets) 1/4" to 1/2" turn until panels are secure. DO NOT OVERTIGHTEN.

5 Install mounting bracket

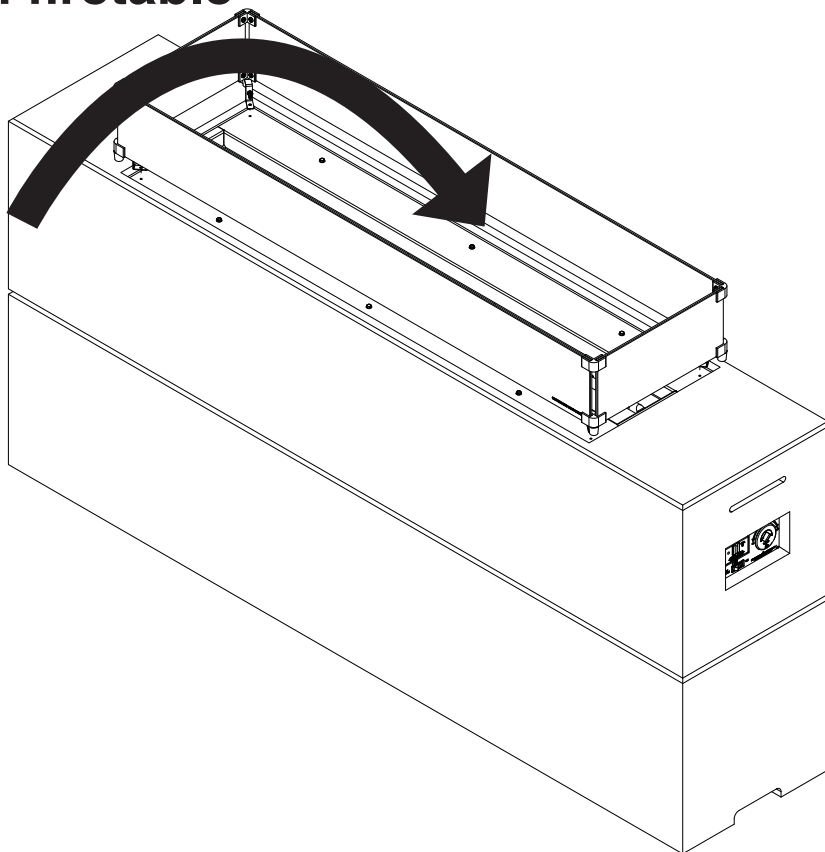


Remove rubber peg from bottom bracket, place mounting bracket, then reinstall rubber peg to bottom bracket.

6 Assemble all remaining mounting brackets

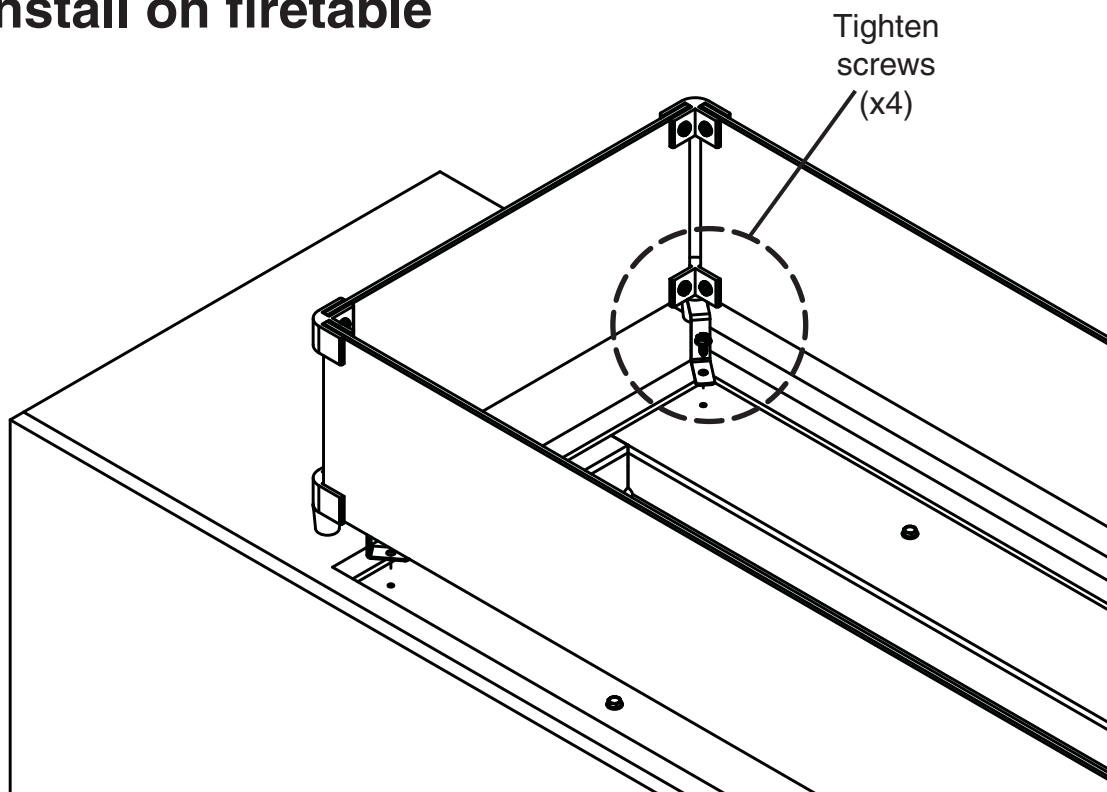


7 Place on firetable



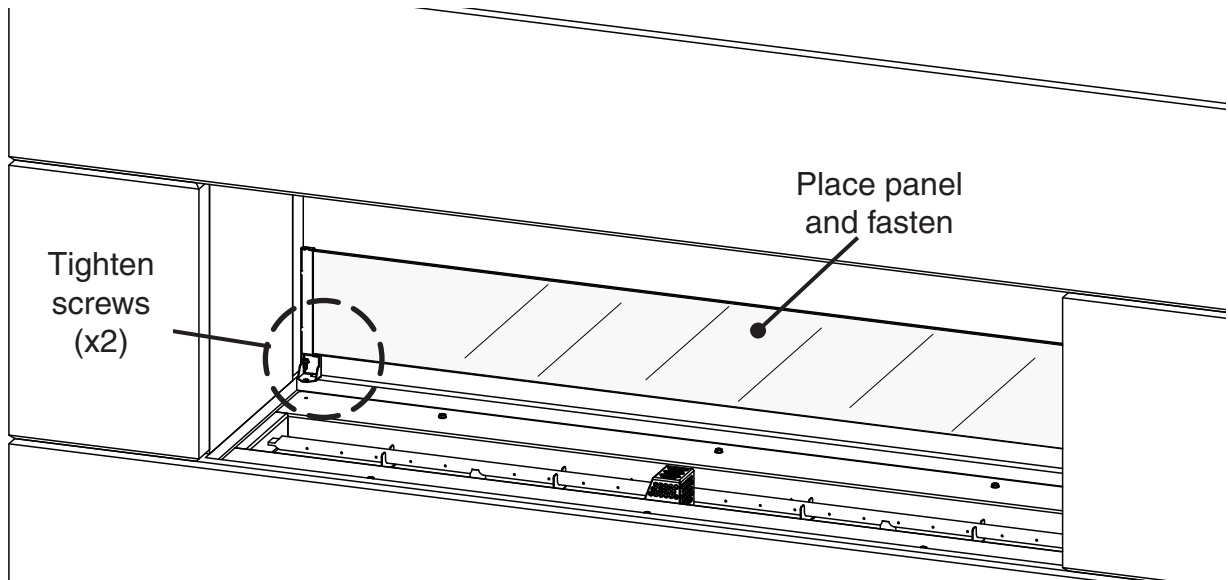
Flip and position wind guard on firetable.

8 Install on firetable



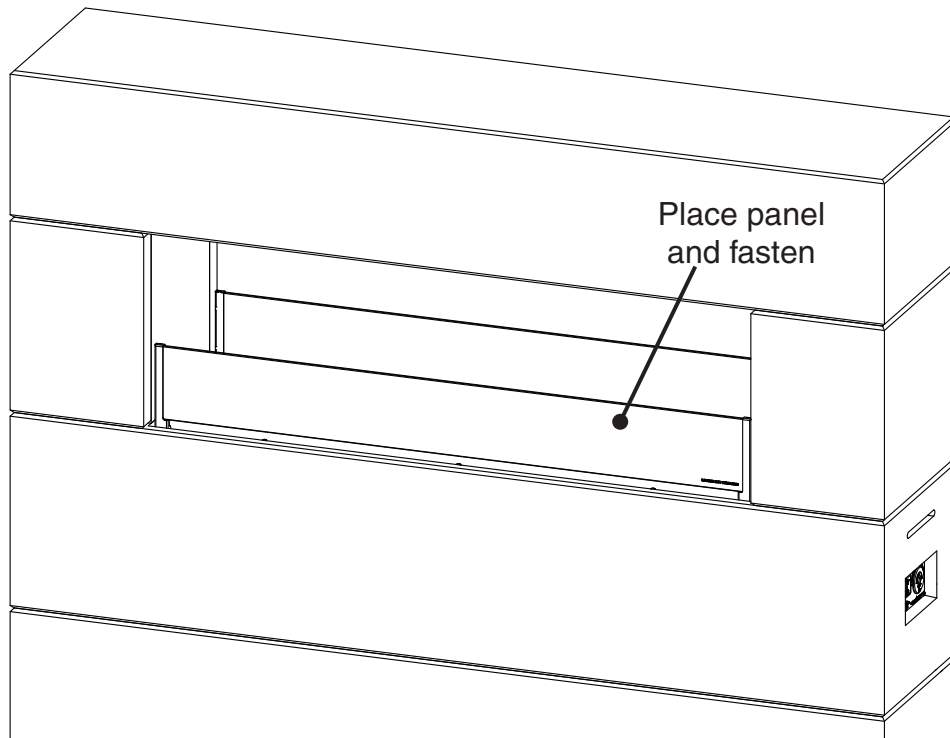
Use a $\frac{5}{16}$ " nut driver and supplied four screws to fasten guard in place. Start all four screws to ensure guard is properly aligned, then fasten all screws.

1 Install panel



Place one wind guard panel into burner area, ensuring it is centered. While holding, use a $\frac{5}{16}$ " nut driver and two of supplied screws to fasten panel in place.

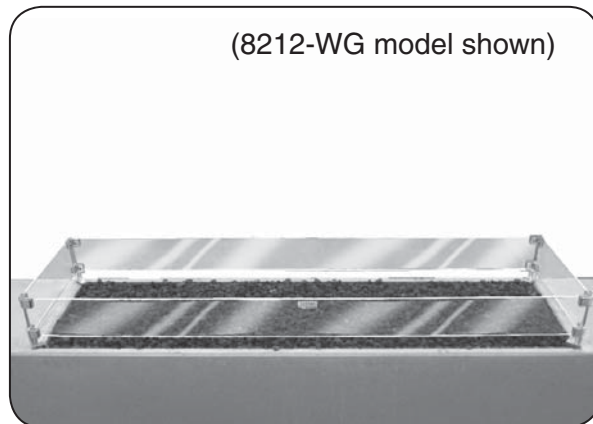
2 Repeat for second panel



CARE AND CLEANING

- Clean the glass periodically to remove any build-ups caused by the elements and combustion. It is recommended that the glass be cleaned 2-3 times during each heating season, depending on use and environment conditions.
- Clean using a non-abrasive glass cleaner and a clean lint-free cloth.
- Never attempt to clean glass while hot.
- DO NOT touch glass while in operation or within 10 minutes following use.

(8212-WG model shown)



NOTES