

FPANG1: LP TO NG CONVERSION KIT INSTRUCTION MANUAL

Models PRO-C & PRO-S

FPANG1 includes the following components:
 1 - 10 foot 3/8" ID gas hose with quick connect
 1 - 1.80mm natural gas orifice for Outer Burner
 1 - 1.24mm natural gas orifice for Inner Burner

Fuego Living LLC
 147 Standard St
 El Segundo CA 90245
 888-88-FUEGO
 info@fuegoliving.com

Connection: Operating pressure: 7.0" W.C.

Check with your local gas utility company or with local codes for instructions on installing gas supply lines. Be sure to check on type and size of run, and how deep to bury the line. If the gas line is too small, the grill will not function properly. Any joint sealant used must be an approved type and be resistive to the actions of natural gases. (This type of connection should be performed by a certified or licensed technician only.)

Assembly Instructions:

- A. Assemble as shown above (FIG. 01). Remove the front door. Use a pipe wrench to hold the grill inlet pipe to avoid shifting any internal gas lines of the grill. Remove the pre-attached LP gas hose pipe from the inlet fitting of the grill. Attach the 3/8" ID gas hose on.
- B. Assemble as shown above (FIG. 02) Use screwdriver to remove screws holding burner to grill body by unscrewing counter-clockwise to remove the burner kit.
- C. Use a wrench to unscrew the LP gas orifice by turning counter-clockwise and replace with natural gas orifice. Use the 1.80mm orifice (Silver) for the Outer Burner ring and the 1.24mm orifice (Brass) for the Inner Burner ring. Note: The natural gas orifice has a larger hole in the center to keep the flow of natural gas consistent.
- D. After the replacement, properly locate and re attach the burner kit with respect to the orifices. Adjust the igniter tip located near the burner edge. (FIG. 03)

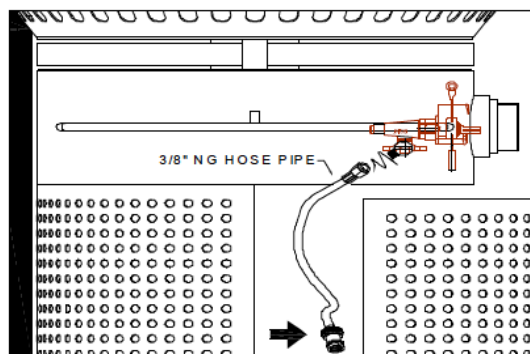


FIG 01.

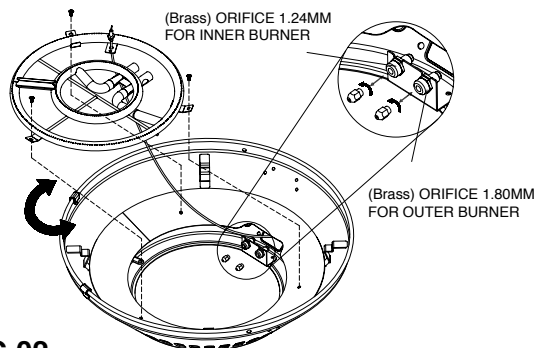


FIG 02.

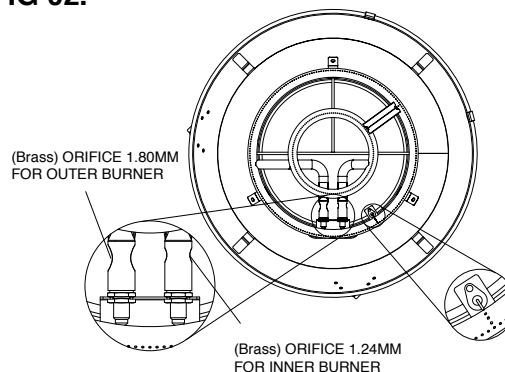


FIG 03.

- E. Connect the NG hose assembly to fixed NG piping system. (FIG. 04) Turn on gas supply and do the leak testing as the procedures shown on page 26 of main manual. Read all lighting instructions on main manual prior to lighting.

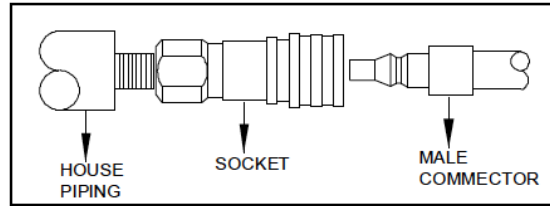


FIG 04.

- F. Remove the control knob, knob bezel and control valve. FIG 05.

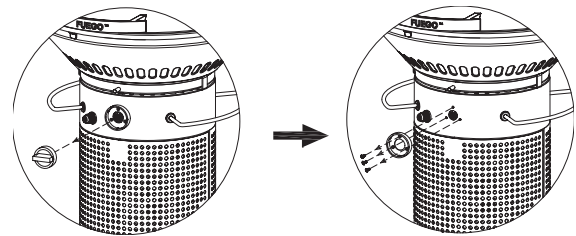


FIG 05.

- G. Turn the valve adjusting screw counter clockwise 100%. FIG 06.

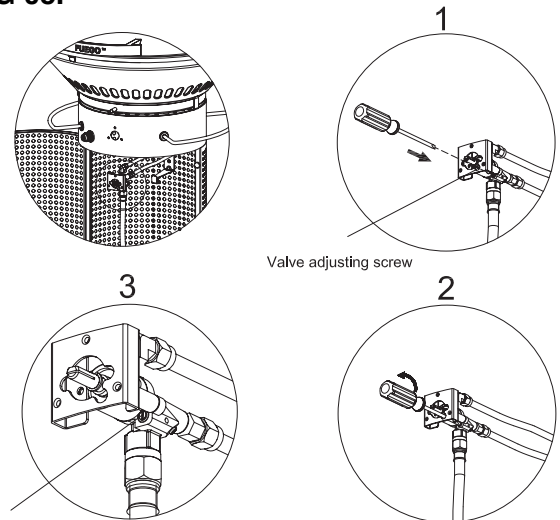


FIG 06.

Rotate the valve adjusting screw counter-clockwise till it can't be rotated.

- H. Re-install the control knob bezel, valve and knob using the same Phillips head screws. FIG 07.

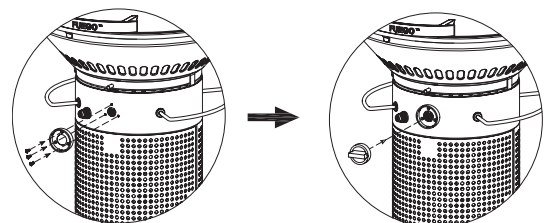


FIG 07.

- I. After the conversion is done, apply the rating plate on the unit.

1. The outdoor cooking gas appliance and its individual shutoff valve must be disconnected from the gas supply system during any pressure testing of that system at test pressures in excess of 0.5psi(3.5kpa)
2. The outdoor cooking gas appliance must be isolated from the gas supply piping system by closing its individual manual shutoff valve during any pressure testing of the gas supply piping system at test pressures equal to or less than 0.5psi(3.5kpa).

NOTE: Do not use natural gas orifices with an LP gas tank or LP gas orifices with natural gas. Do gas leakage testing after per conversion. Please note the Gas Hook-Up, Danger, and Warnings pages in the manual for more information.