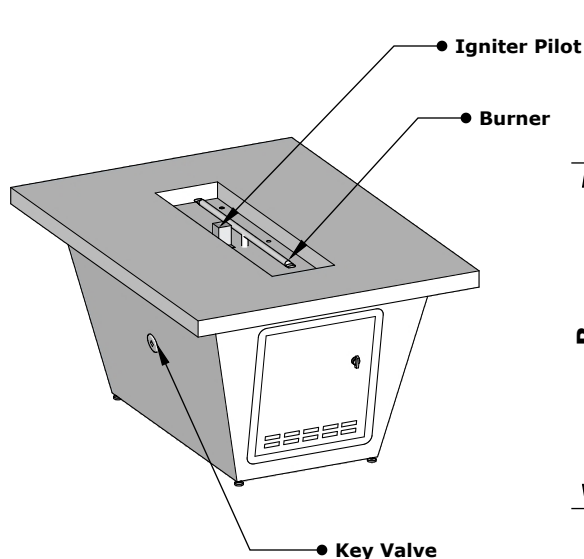
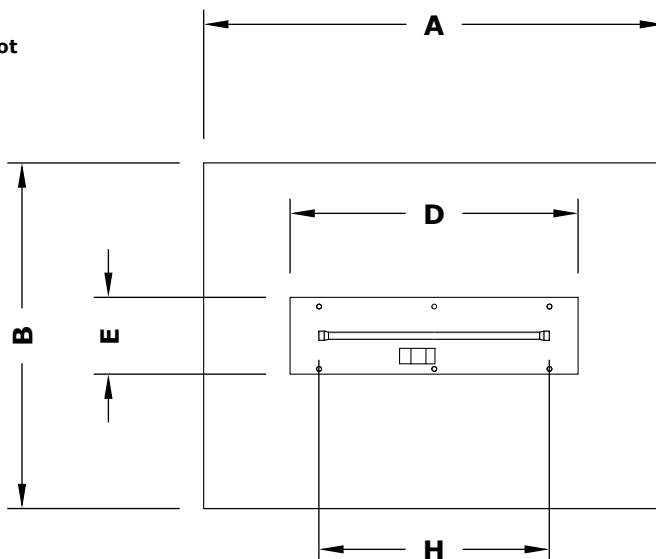


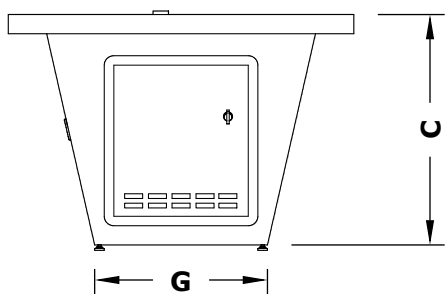
# CARSON FIRE PIT



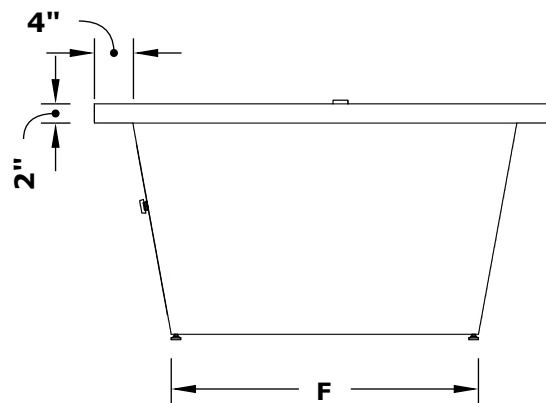
**ISOMETRIC VIEW**



**TOP VIEW**



**RIGHT SIDE VIEW**



**FRONT SIDE VIEW**

PART NUMBER	A	B	C	D	E	F	G	H	BTU
OPT-CRS4836	48"	36"	24"	30"	8"	32"	18"	24"	40,000
OPT-CRS4836EKIT	48"	36"	24"	30"	8"	32"	18"	24"	40,000
OPT-CRS6036	60"	36"	24"	42"	8"	44"	18"	36"	60,000
OPT-CRS6036EKIT	60"	36"	24"	42"	8"	44"	18"	36"	60,000
OPT-CRS7236	72"	36"	24"	54"	8"	56"	18"	48"	80,000
OPT-CRS7236EKIT	72"	36"	24"	54"	8"	56"	18"	48"	80,000
OPT-CRS8436	84"	36"	24"	66"	8"	68"	18"	60"	140,000
OPT-CRS8436EKIT	84"	36"	24"	66"	8"	68"	18"	60"	140,000

Fire Pit Material: Wood Grain Concrete  
Pan Material: 304 Stainless Steel  
Burner Material: 304 Stainless Steel

Standard 2" Depth on all pans

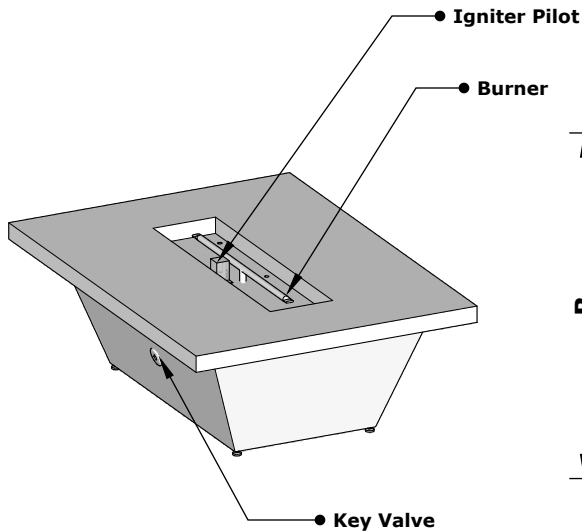
**110V ELECTRONIC IGNITION**  
ANSI Z21.97-(2017) / CSA 2.41-(2017)



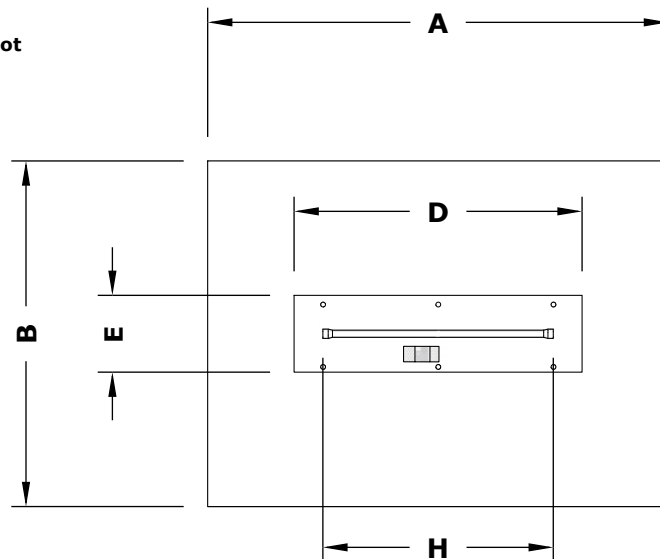
Match Lit Unit Includes: Pan, Burner, Gas Orifice, Gas Hoses, Key Valve, Key,  
110v Ignition Unit Includes: Pan, Burner, Gas Orifice, Gas Hoses, Key Valve, Key, Plug & Play Electronic Valve, Pilot Igniter.

# Carson FIRE PIT

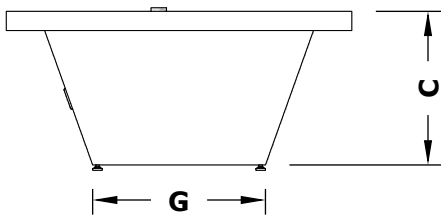
GFRC Wood Grain CONCRETE



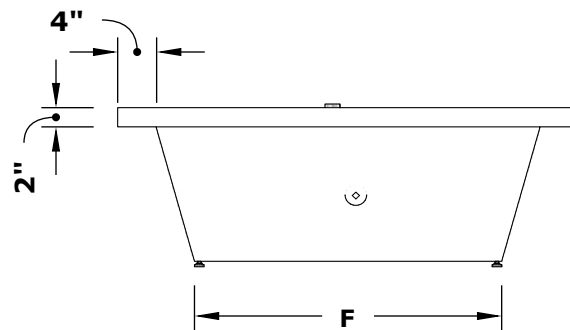
ISOMETRIC VIEW



TOP VIEW



RIGHT SIDE VIEW



FRONT SIDE VIEW

PART NUMBER	A	B	C	D	E	F	G	H	BTU
OPT-CRS4836LW	48"	36"	24"	30"	8"	32"	18"	24"	40,000
OPT-CRS4836LW/EKIT	48"	36"	24"	30"	8"	32"	18"	24"	40,000
OPT-CRS6036LW	60"	36"	24"	42"	8"	44"	18"	36"	60,000
OPT-CRS6036LW/EKIT	60"	36"	24"	42"	8"	44"	18"	36"	60,000
OPT-CRS7236LW	72"	36"	24"	54"	8"	56"	18"	48"	80,000
OPT-CRS7236LW/EKIT	72"	36"	24"	54"	8"	56"	18"	48"	80,000
OPT-CRS8436LW	84"	36"	24"	66"	8"	68"	18"	60"	140,000
OPT-CRS8436LW/EKIT	84"	36"	24"	66"	8"	68"	18"	60"	140,000

Fire Pit Material: Wood Grain Concrete  
 Pan Material: 304 Stainless Steel  
 Burner Material: 304 Stainless Steel

Standard 2" Depth on all pans

**110V ELECTRONIC IGNITION**  
 ANSI Z21.97-(2017) / CSA 2.41-(2017)



Match Lit Unit Includes: Pan, Burner, Gas Orifice, Gas Hoses, Key Valve, Key,  
 110v Ignition Unit Includes: Pan, Burner, Gas Orifice, Gas Hoses, Key Valve, Key, Plug & Play Electronic Valve, Pilot Igniter.

Proprietary & Confidential: The information contained in this drawing is the sole property of The Outdoor Plus. Any reproduction or as a whole without written permission of The Outdoor Plus is prohibited.