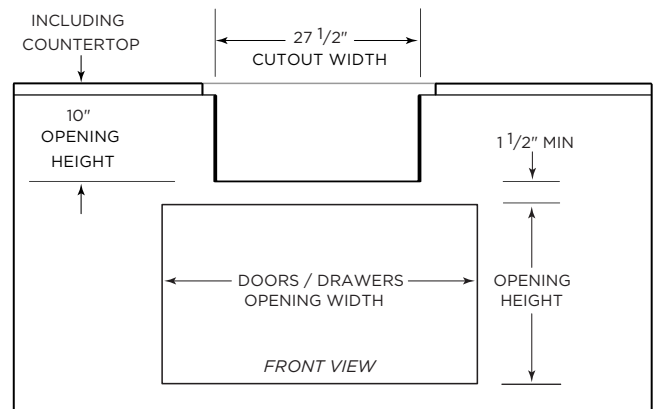
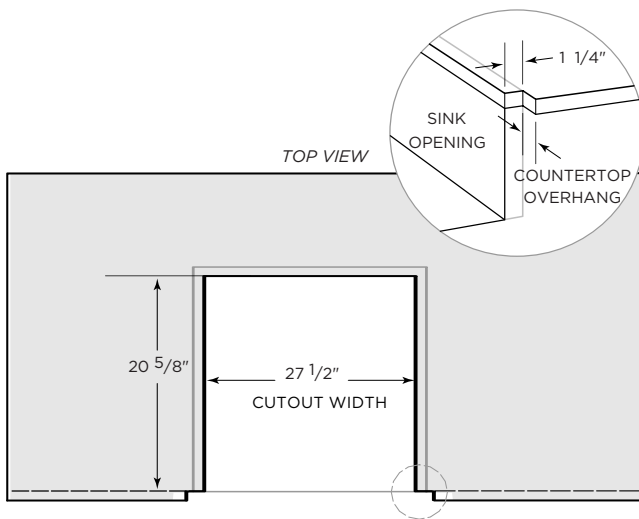
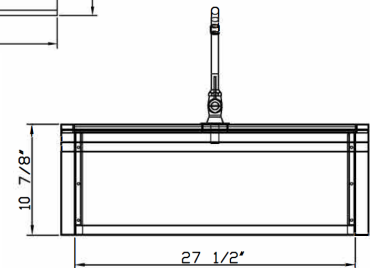
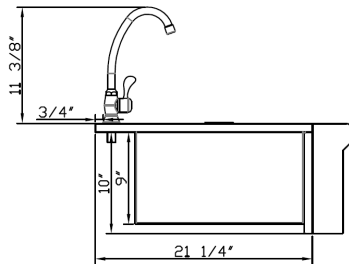
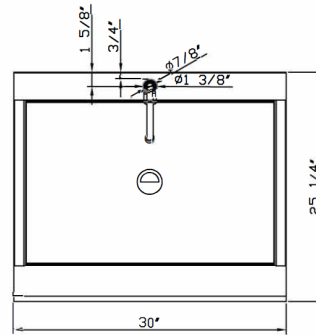
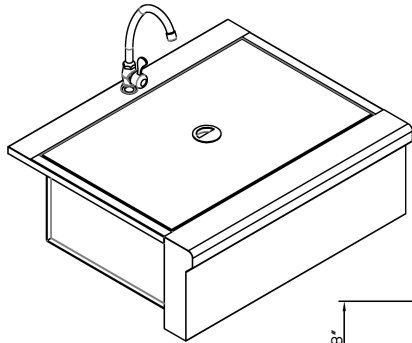


CFHSINK INSTALL GUIDE

DIMENSIONAL RENDERINGS



| Overall Product Dimensions | | | |
|----------------------------|---------|-------|---------|
| Model No. | Height | Width | Depth |
| CFHSINK | 10 7/8" | 30" | 25 1/4" |

| Cutout Dimensions for Island | | | |
|------------------------------|--------|---------|---------|
| Model No. | Height | Width | Depth |
| CFHSINK | 10" | 27 1/2" | 20 5/8" |

Install Notes:

- ✓ CFHSINK comes with a standard drain, p-trap and single supply faucet.
- ✓ A drain and strainer is also included with the sink
- ✓ When the CFHSINK is located in an area with humidity and ice is placed inside, the cooler can "sweat" on the exterior of the box. Be aware that even with the drain in, this sweat could drop into your cabinet.
- ✓ The faucet included is a single hose cold water only and uses 7/8" opening. The opening can be increased to 1 3/8" to accommodate a faucet with hot and cold lines.