

- INSTALLATION GUIDE -

GRILL SIZE (in): 33.26Hx33.5Dx49W

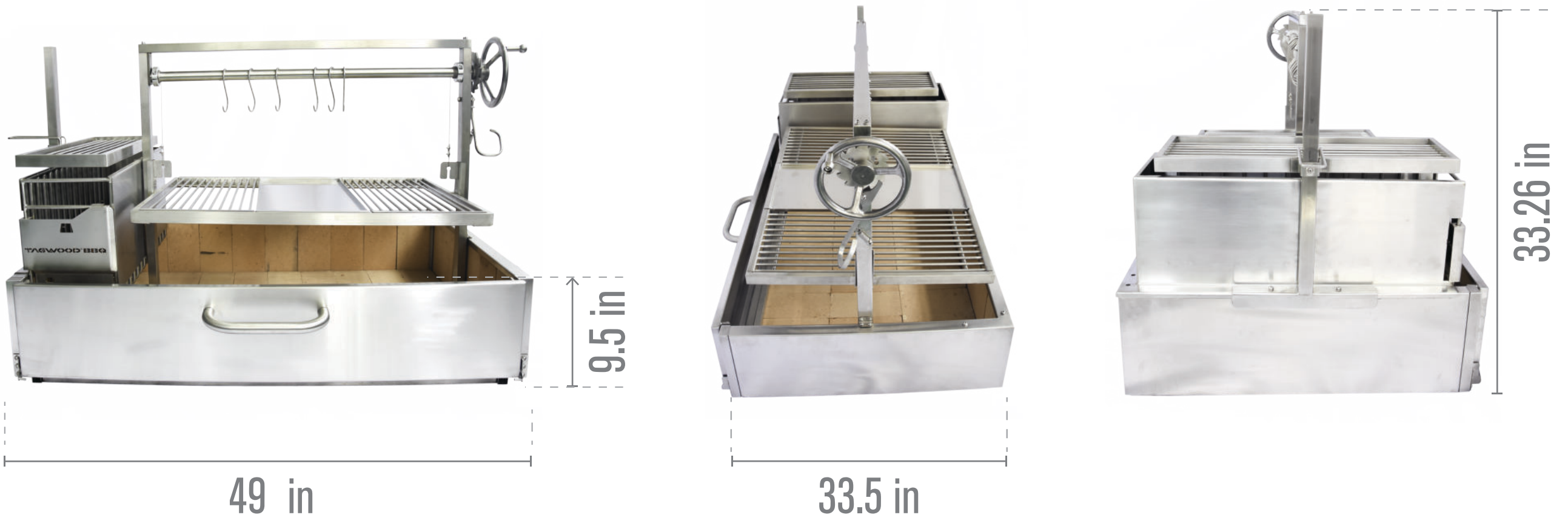
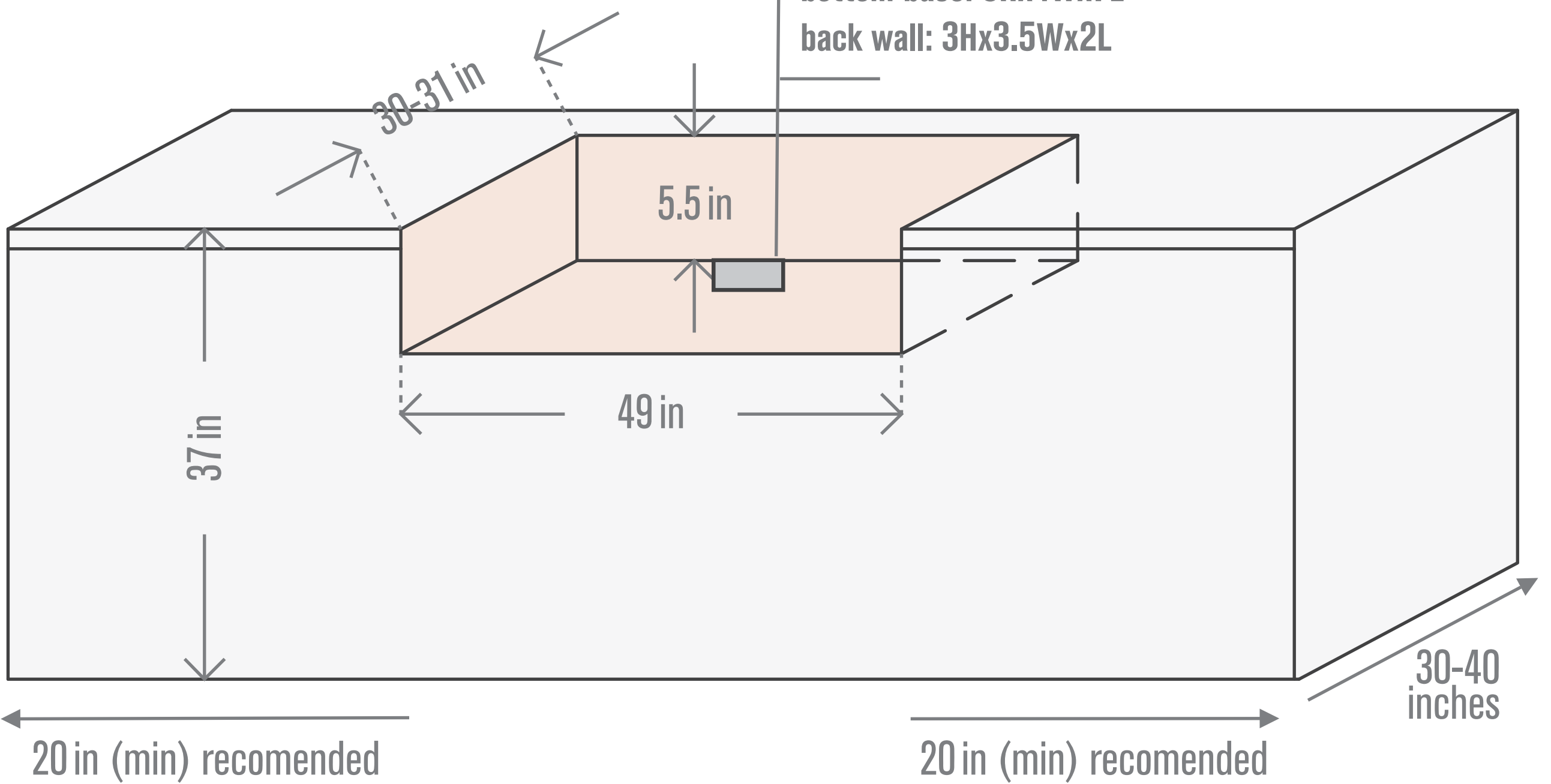


DIAGRAM:

Remember to include a drain hole for the drain system
bottom base: 3Hx4Wx7L
back wall: 3Hx3.5Wx2L



Please note, these measurements and diagrams are a recommendation only, and are estimated, for reference only. Dimensions may vary slightly because these products are hand finished. Always have the grill present while building the design and corroborate dimensions.

Always consult with professional and qualified personnel for the assembly/construction of the base/built-out with adequate materials and installation.

TAGWOOD BBQ is not responsible for inappropriate/erroneous installation or build-out. Center or support surfaces must be leveled.

Must include ventilation holes through out the base to ensure adequate air flow.

The base needs to be made of noncombustible materials, such as concrete or steel. Never use flammable materials on or around where the product will be placed/installed. Do not install grill on or near combustible materials.

Also, always leave space to the right the grill, for proper movement of the wheel to adjust the main grates height. Remember to install a heat resistance base, with firebricks on the bottom of the grill, always placing the front firebricks first.