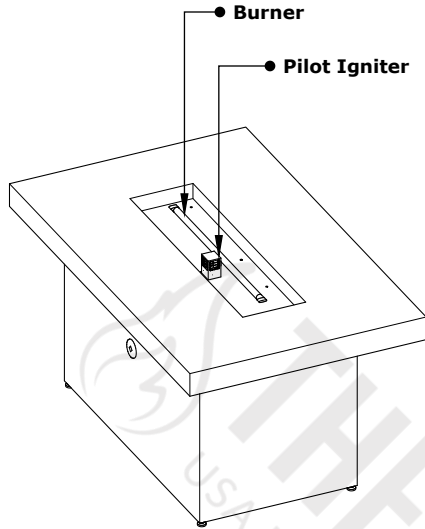
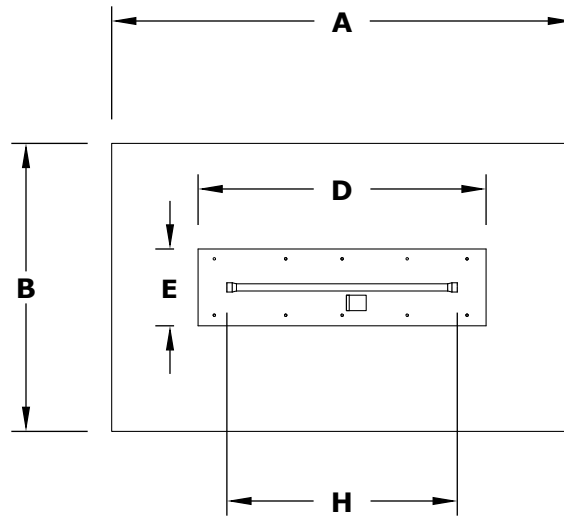


# ALBERTA BLACK & WHITE FIRE PIT

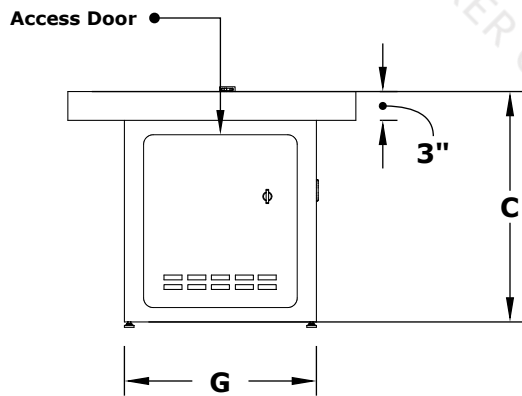
GFRC CONCRETE TOP + POWDER COAT BASE



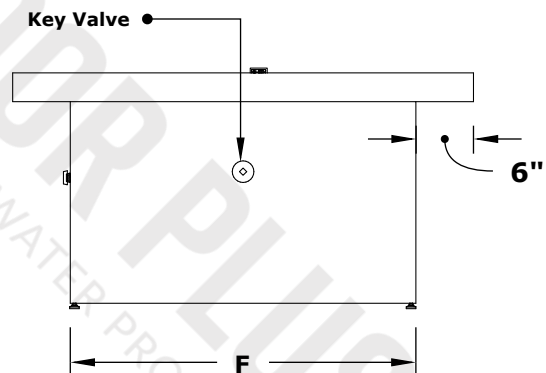
ISOMETRIC VIEW



TOP VIEW



RIGHT SIDE VIEW



FRONT SIDE VIEW

PART NUMBER	A	B	C	D	E	F	G	H	BTU
OPT-BWALB36	36"	30"	24"	18"	8"	24"	20"	18"	30,000
OPT-BWALB48	48"	30"	24"	30"	8"	36"	20"	24"	40,000
OPT-BWALB60	60"	30"	24"	42"	8"	48"	20"	36"	60,000
OPT-BWALB72	72"	30"	24"	54"	8"	60"	20"	54"	90,000

Fire Pit Material: GFRC Top + Powder Coat Base  
 Pan Material: 304 Stainless Steel  
 Burner Material: 304 Stainless Steel  
 Standard 2" Depth on all pans  
**110V ELECTRONIC IGNITION**  
 ANSI Z21.97-(2017) / CSA 2.41-(2017)



Match Lit Unit Includes: Pan, Burner, Gas Orifice, Gas Hoses, Key Valve, Key,  
 110v Ignition Unit Includes: Pan, Burner, Gas Orifice, Gas Hoses, Key Valve, Key, Plug & Play Electronic Valve, Pilot Igniter.

Drawn By	Murguia M.
Date Created	October 1, 2021

Proprietary & Confidential: The information contained in this drawing is the sole property of The Outdoor Plus. Any reproduction or as a whole without written permission of The Outdoor Plus is prohibited.