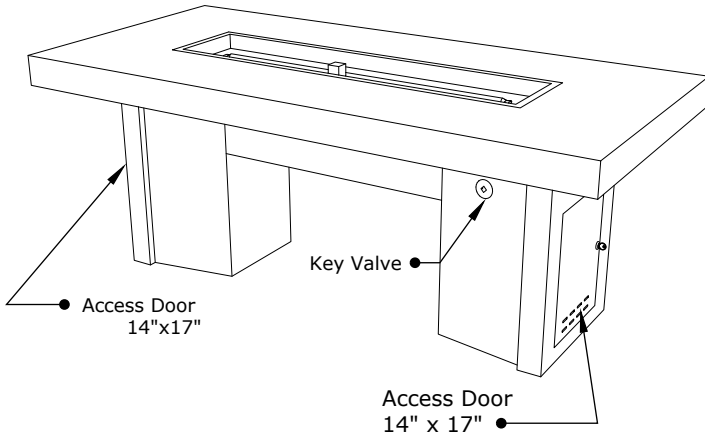
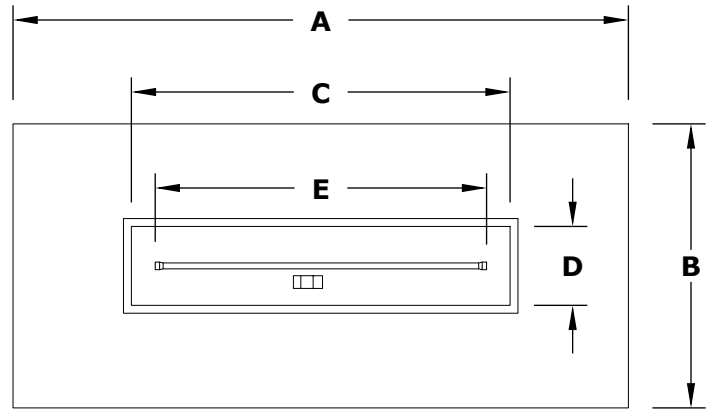


ALAMEDA HYBRID FIRE TABLE

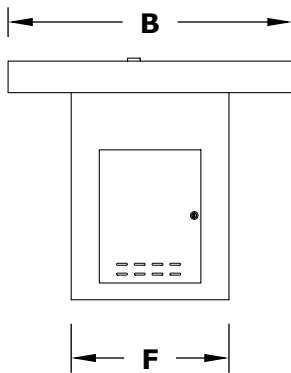
GLASS FIBER REINFORCED CONCRETE (GFRC) & POWDER COATED STEEL



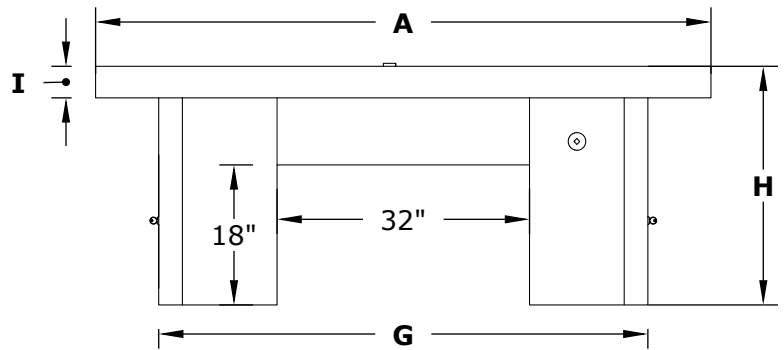
ISOMETRIC VIEW



TOP VIEW



RIGHT SIDE VIEW



FRONT SIDE VIEW

| SKU | A | B | C | D | E | F | G | H | I | BTU |
|---------------|-----|-----|-----|-----|-----|-----|-----|-----|----|--------|
| OPT-ALMPC60 | 60" | 28" | 30" | 10" | 24" | 20" | 50" | 30" | 2" | 65,000 |
| OPT-ALMWG60 | 60" | 28" | 30" | 10" | 24" | 20" | 50" | 30" | 3" | 65,000 |
| OPT-ALMGFRC60 | 60" | 28" | 30" | 10" | 24" | 20" | 50" | 30" | 3" | 65,000 |
| OPT-ALMPC78 | 78" | 36" | 48" | 10" | 42" | 20" | 62" | 30" | 2" | 65,000 |
| OPT-ALMWG78 | 78" | 36" | 48" | 10" | 42" | 20" | 62" | 30" | 3" | 65,000 |
| OPT-ALMGFRC78 | 78" | 36" | 48" | 10" | 42" | 20" | 62" | 30" | 3" | 65,000 |

Fire Pit Material: GFRC Concrete & PC Steel
 Finish: PC Steel / GFRC Smooth / Woodgrain
 Pan Material: 304 Stainless Steel
 Burner Material: 304 Stainless Steel
 Ignition Type: Match Lit or Electronic

Standard 1" Flange on all pans
 Standard 2" Depth on all pans

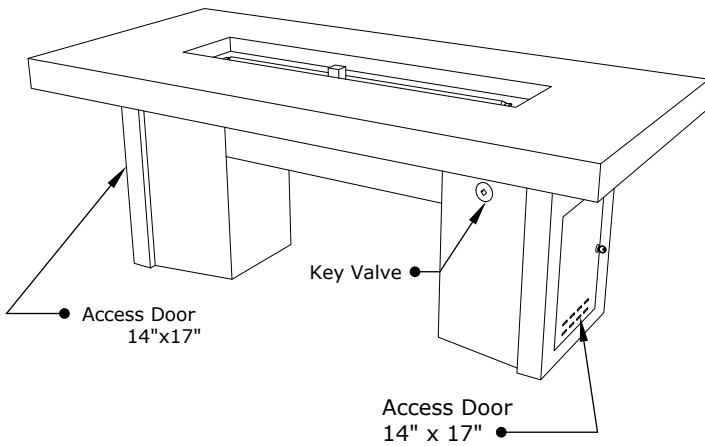
110V ELECTRONIC IGNITION
 ANSI Z21.97-(2017) / CSA 2.41-(2017)



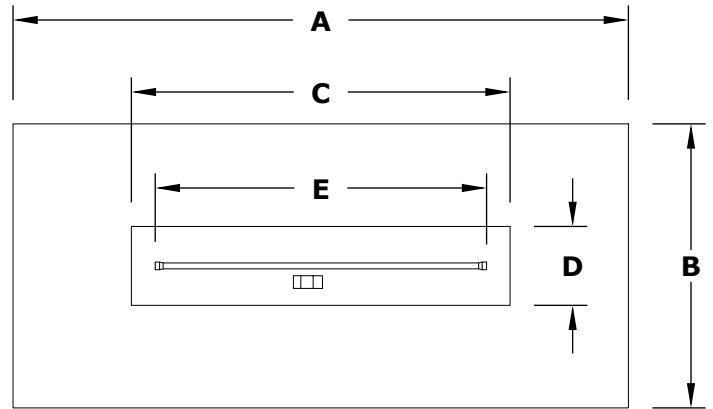
Includes: Pan, Burner, Key Valve,
 Whistle Free Hoses, Black Lava Rock.

ALAMEDA FIRE TABLE

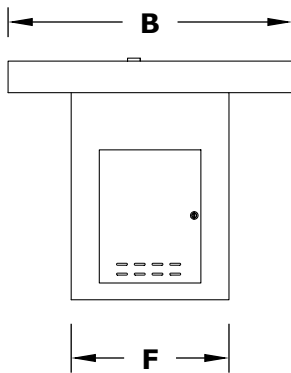
Corten Steel



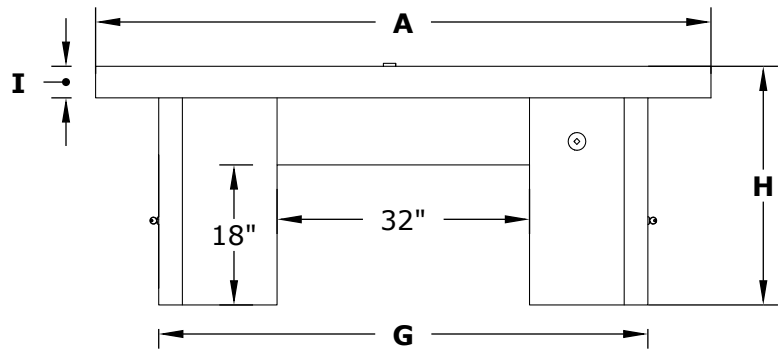
ISOMETRIC VIEW



TOP VIEW



RIGHT SIDE VIEW



FRONT SIDE VIEW

| SKU | A | B | C | D | E | F | G | H | I | BTU |
|-------------|-----|-----|-----|-----|-----|-----|-----|-----|----|--------|
| OPT-ALMCS60 | 60" | 28" | 30" | 10" | 24" | 20" | 50" | 30" | 2" | 65,000 |
| OPT-ALMCS78 | 78" | 36" | 48" | 10" | 42" | 20" | 62" | 30" | 2" | 65,000 |

Fire Pit Material: Corten Steel
 Pan Material: 304 Stainless Steel
 Burner Material: 304 Stainless Steel

Standard 2" Depth on all pans
110V ELECTRONIC IGNITION
 ANSI Z21.97-(2017) / CSA 2.41-(2017)



Includes: Pan, Burner, Key Valve,
 Whistle Free Hoses, Black Lava Rock.

Match Lit Unit Includes: Pan, Burner, Gas Orifice, Gas Hoses, Key Valve, Key,
 110v Ignition Unit Includes: Pan, Burner, Gas Orifice, Gas Hoses, Key Valve, Key, Plug & Play Electronic Valve, Pilot Igniter.

Proprietary & Confidential: The information contained in this drawing is the sole property of The Outdoor Plus. Any reproduction or as a whole without written permission of The Outdoor Plus is prohibited.