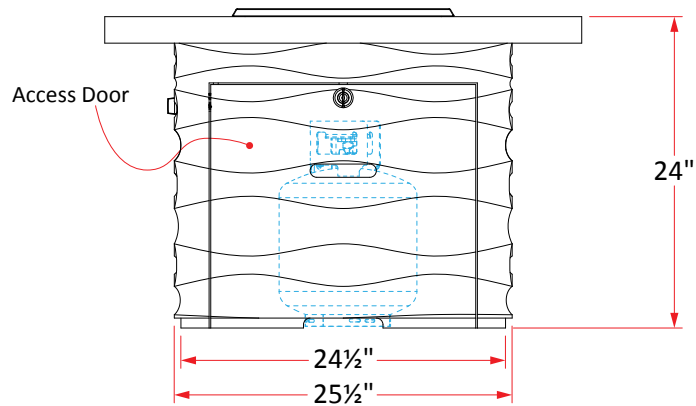
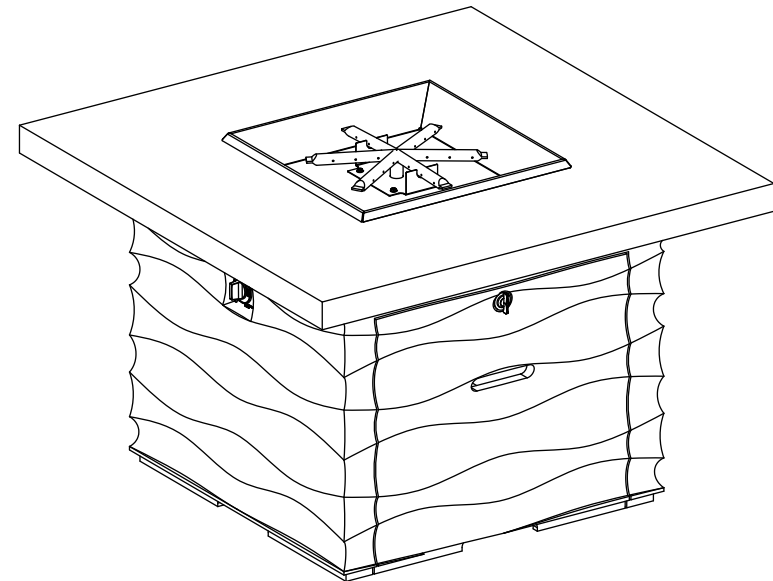
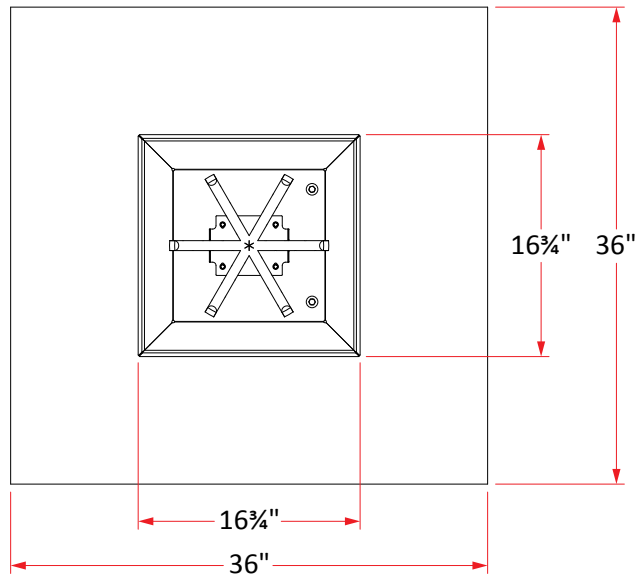


# Voro Firetable

Model #: 725-xx-11-V2xC



## #725- Voro Firetable Specs

Dimensions:	36" w x 36" d x 24" h
Weight:	250 lbs
Key Valve (V2) BTU's:	60,000 (NG)/50,000 (LP)

*Accepts a 5 gal. Propane tank inside the unit (not included).*

**AMERICAN**  
**FYRE DESIGNS™**  
outdoor Products Collection