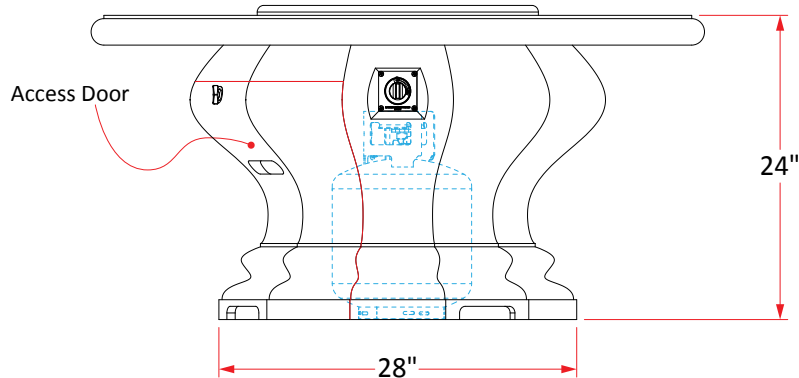
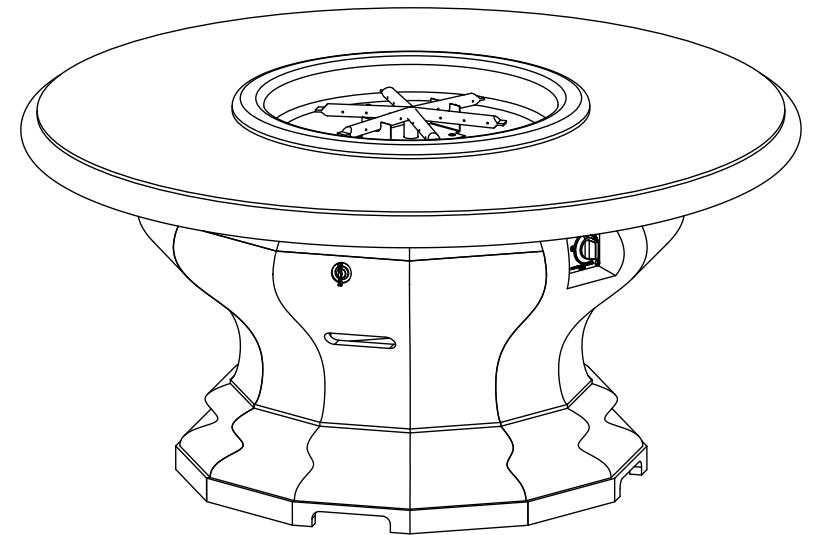
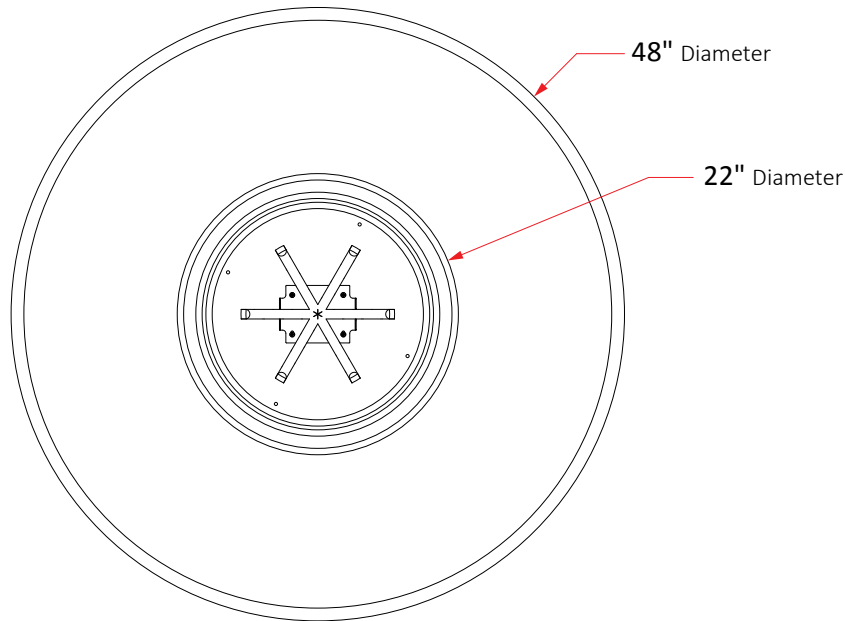


Inverted Firetable (w/Concrete Top)

Model #: 629-xx-11-V2xC



#629 - Inverted Firetable Specs

Dimensions:	48" diameter x 24"h
Weight:	450 lbs
Key Valve (V2) BTU's:	60,000 (NG)/50,000 (LP)

Accepts a 5 gal. Propane tank inside the unit (not included).

AMERICAN
FYRE DESIGNS™
outdoor Products Collection