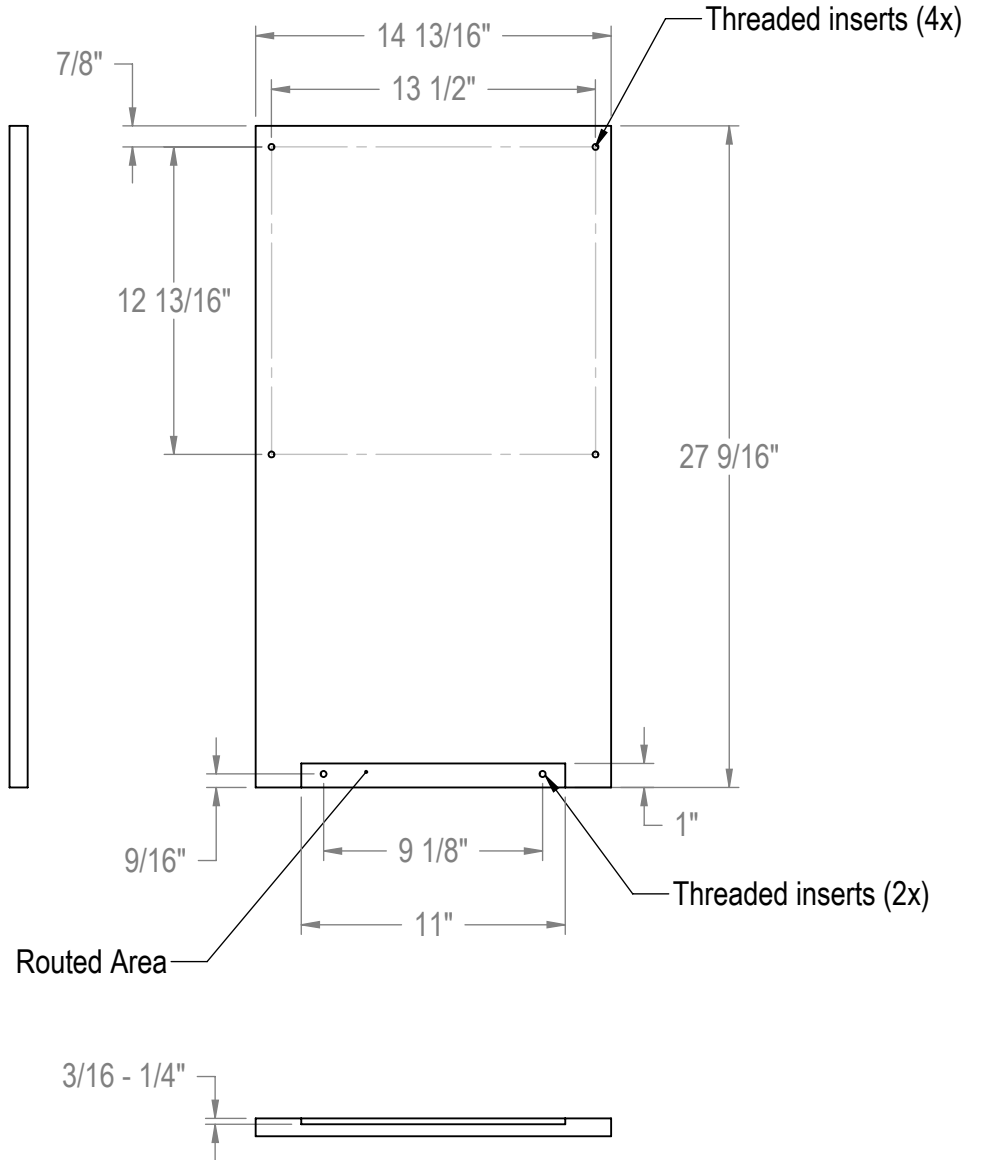
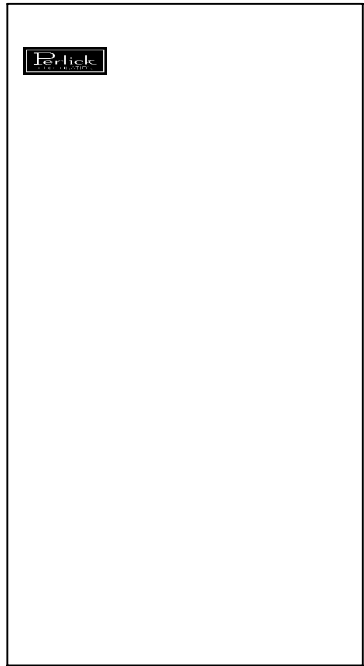


WOOD OVERLAY ICE MAKER DOOR



Note: For threaded inserts drill 1/4" diameter holes 3/8" deep (hardwood may require slightly larger diameter).



Perlick Corporation
Milwaukee, WI 53223

SCALE 1:8
DRAWN NAH DATE 5/29/2009

67159