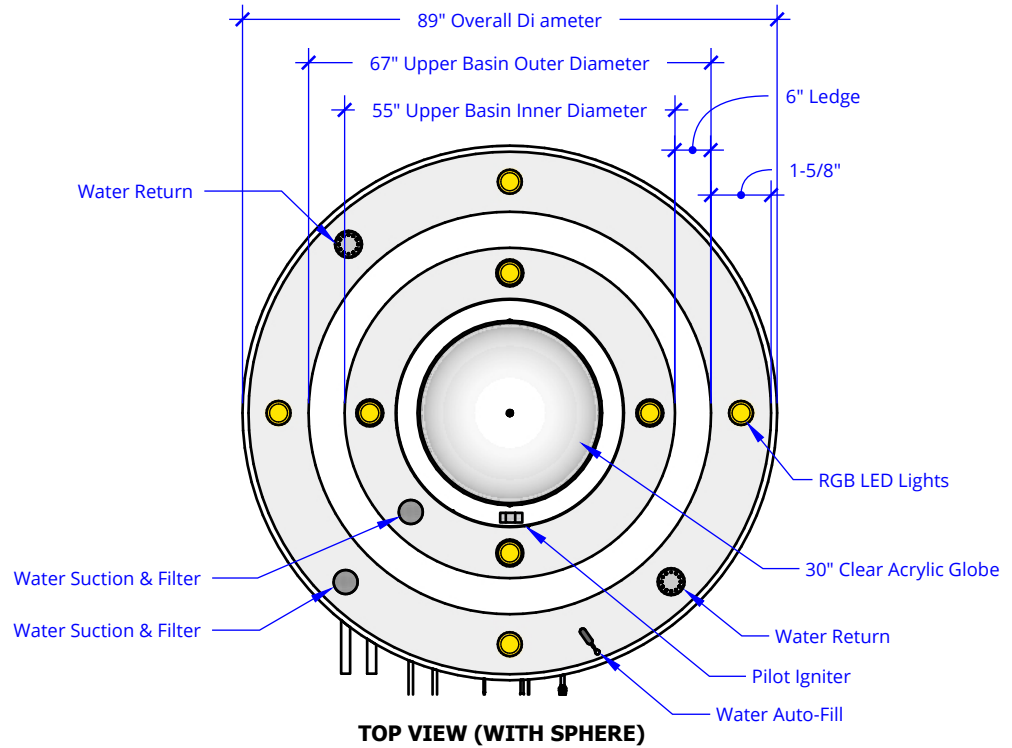
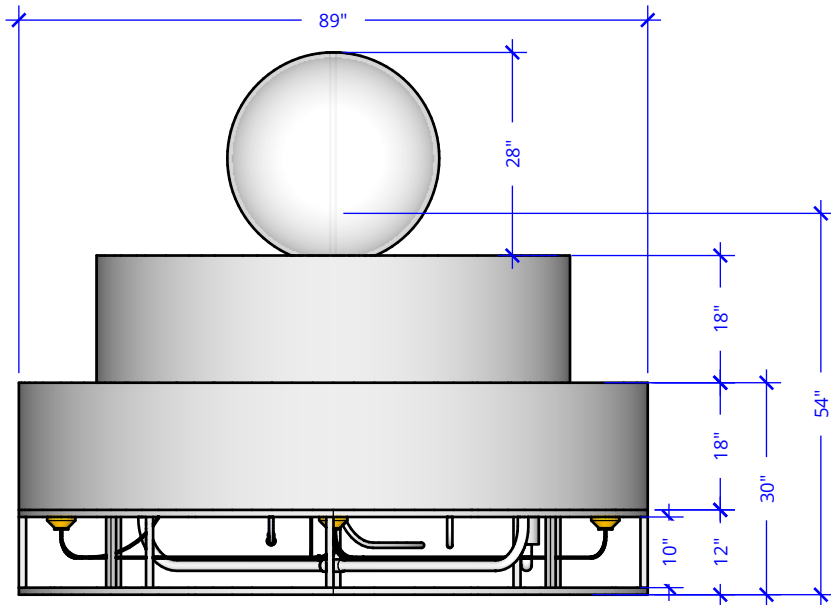


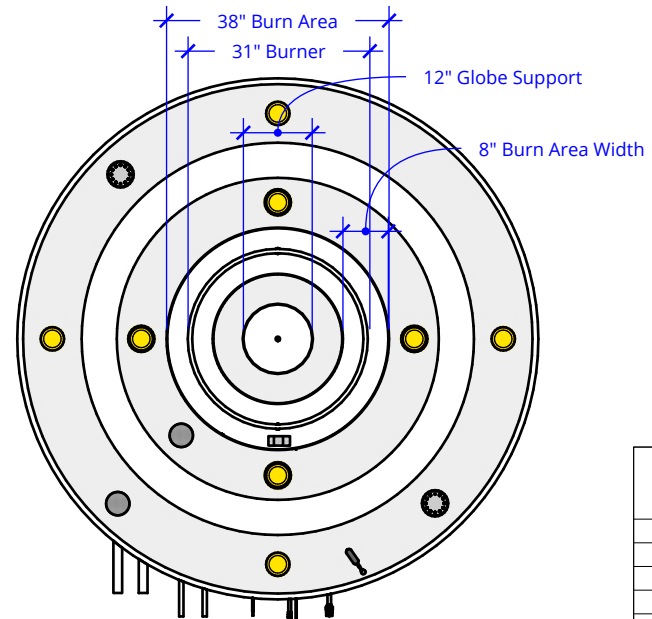
ISOMETRIC VIEW



TOP VIEW (WITH SPHERE)



FRONT VIEW



TOP VIEW (WITHOUT SPHERE)

Last Revised by	Murguia M.
Date Created	Oct 5, 2021

Atlas Fire & Water Fountain	
SKU	OPT-ATL89
Material	316 Stainless Steel
Basin Finish	Powder Coat Finish
Outer Finish	Powder Coat Finish
Gas Type	Natural Gas
BTUs	55,000
Sugg. Fire Glass	80 lbs

ISOMETRIC VIEW

