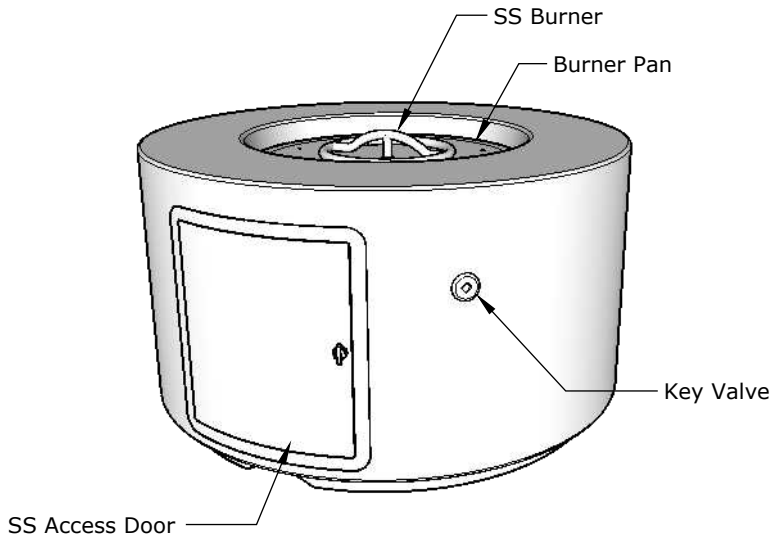
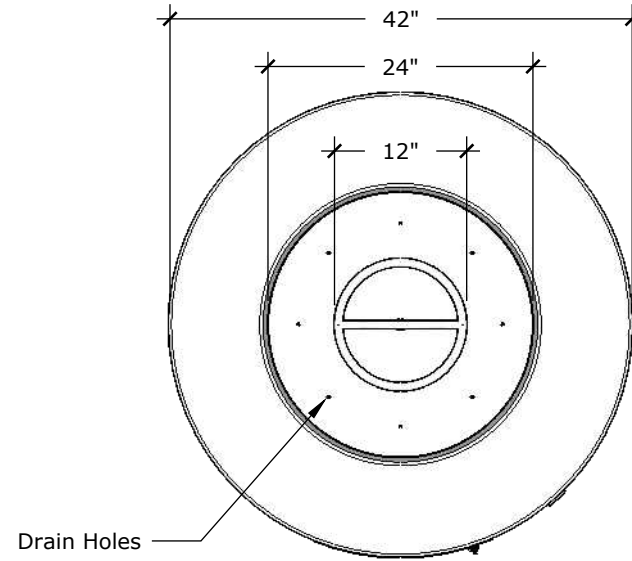


FLORENCE GFRC FIRE PIT - 24" TALL

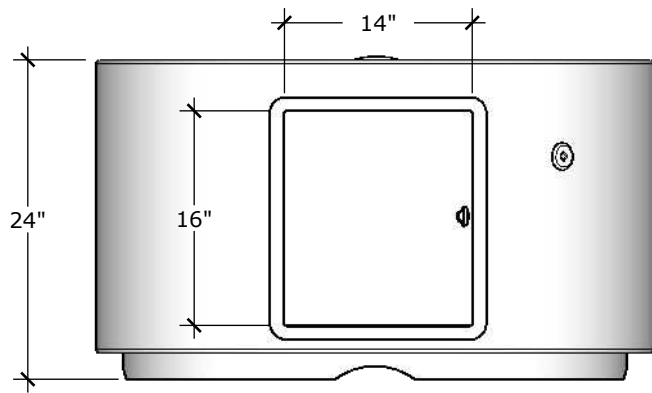
OPT-FL4224(XXXX)



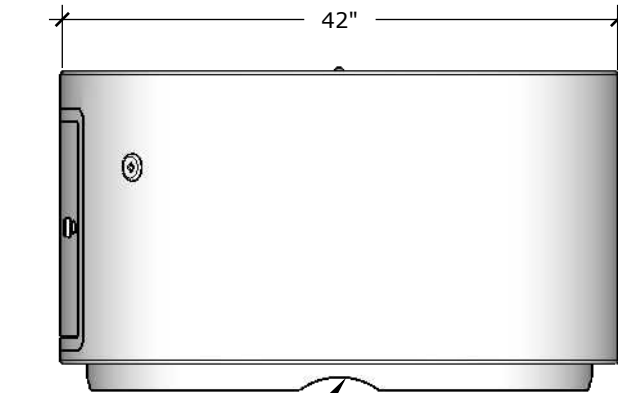
PERSPECTIVE



TOP



FRONT



SIDE

42" Florence Fire Pit, 24" Tall - GFRC Concrete - SS Access Door	
Part Number	OPT-FL4224
Material	GFRC Concrete
Finishes	Smooth GFRC Concrete
Gas Type	NG or LP
Weight	425 lbs
BTUs	65,000
Suggested Fire Glass	55 lbs



235 East Main St
 Ontario CA 91761
 Office: (909) 460-5579