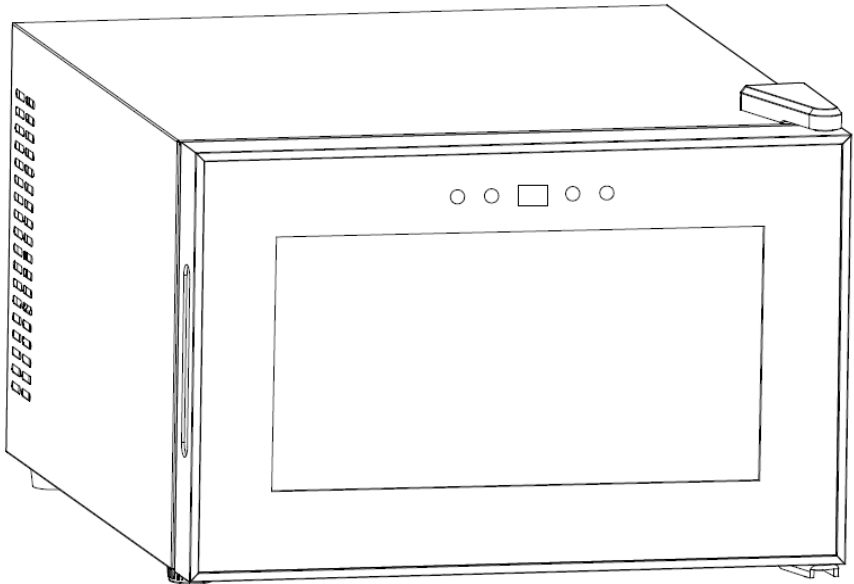


# baridi

---

## 8 Bottle Wine Cooler, Thermoelectric, 5-18°C, Touch Control



### Model No. DH218

Thank you for purchasing a Baridi product from the Dellonda range. Manufactured to a high standard, this product will, if used according to these instructions, and properly maintained, give you years of trouble free performance.

## Important Information

Please read these instructions carefully and note any safe operational requirements, warnings & cautions. Use the product correctly and with care for the purpose for which it is intended. Failure to do so may cause damage and/or personal injury and will invalidate the warranty. Keep these instructions safe for future use.



Refer to  
instructions

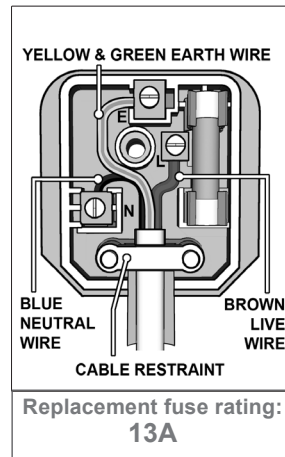


Indoor use  
only

### • ELECTRICAL SAFETY

- **WARNING!** It is the user's responsibility to check the following:
  - Check all electrical equipment and appliances to ensure that they are safe before using. Inspect power supply leads, plugs and all electrical connections for wear and damage. Dellonda recommend that an RCD (Residual Current Device) is used with all electrical products. You may obtain an RCD by contacting your local domestic stockist. If the product is used in the course of business duties, it must be maintained in a safe condition and routinely PAT (Portable Appliance Test) tested.
- **Electrical safety information:** It is important that the following information is read and understood.
- Ensure that the insulation on all cables and on the appliance is safe before connecting it to the power supply.
- Regularly inspect power supply cables and plugs for wear or damage and check all connections to ensure that they are secure.
- **Important:** Ensure that the voltage rating on the appliance suits the power supply to be used and that the plug is fitted with the correct fuse - see fuse rating in these instructions.
- **DO NOT** pull or carry the appliance by the power cable.
- **DO NOT** pull the plug from the socket by the cable.
- **DO NOT** use worn or damaged cables, plugs or connectors.
- Ensure that any faulty item is repaired or replaced immediately by a qualified electrician.
- This product is fitted with a BS1363 3 pin Plug

- If the cable or plug is damaged during use, switch off the electricity supply and remove from use. Ensure that repairs are carried out by a qualified electrician.
- Replace a damaged plug with a BS1363/A 3 pin plug. If in doubt contact a qualified electrician.



- A) Connect the GREEN/YELLOW earth wire to the earth terminal 'E'.
- B) Connect the BROWN live wire to the live terminal 'L'.
- C) Connect the BLUE neutral wire to the neutral terminal 'N'.

- Ensure that the cable outer sheath extends inside the cable restraint and that the restraint is tight.
- Dellonda recommend that repairs are carried out by a qualified electrician.
- **GENERAL SAFETY**
- **DO NOT** store explosive substances such as aerosol cans with a flammable propellant in this appliance.
- **WARNING:** Ensure the supply cord is not trapped or damaged.
- **WARNING: DO NOT** locate multiple portable

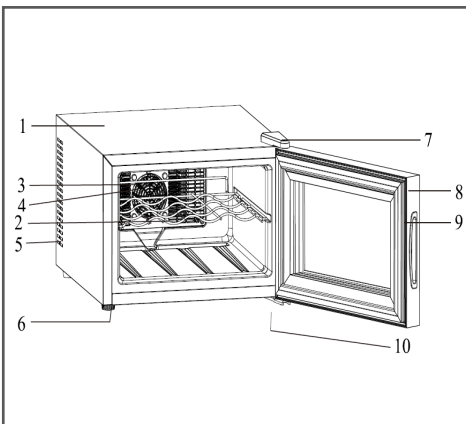
socket-outlets or portable power supplies at the rear of the appliance.

- This appliance is intended to be used in household and similar applications such as staff kitchen areas in shops, offices and other working environments; holiday homes, hotels and other residential settings; and catering and similar non-retail applications.
- This appliance can be used by children aged from 8 years and above and persons with reduced physical, sensory or mental capabilities or lack of knowledge and experience if they have been given supervision or instruction concerning the use of the appliance in a safe way and understand the hazards involved. Children shall not play with the appliance. Cleaning and user maintenance shall not be made by children without supervision.

**• SPECIFICATION**

- **Model no:** .....DH218
- **Capacity:** .....8 bottles
- **Energy Efficiency Class:**.....E
- **Internal Dimensions:**.....333 x 330 x 183mm
- **Product Dimensions:**.....430 x 495 x 305mm
- **Max. Bottle Height:**..... 330mm
- **Temperature range:** ..... 5-18°C
- **Volume:** ..... 21L




**• PARTS DESCRIPTION**



1	Cabinet
2	Shelf
3	Cold sink fan
4	Cold sink Fan Cover
5	Ventilation Holes
6	Leveling legs
7	Upper Door Hinge / Cover
8	Door
9	Gasket
10	Bottom hinge

**• CONTROLS**



- It is recommended you install the Chiller in a place where the ambient temperature is between 16°-32°C/61°-90°F.
- If the ambient temperature is above or below recommended temperatures, the performance of the unit may be affected. For example, placing your unit in extreme cold or hot conditions may cause interior temperatures to fluctuate and the range of (5-18°C/41-64°F) may not be reached.
- Temperature display can be changed from °C to °F by pressing  for 2 seconds.
- To turn the interior light on or off press  once.
- The light will be turned off automatically if it remains ON for 10 minutes. You have to push the button again and the light will turn back on.
- Your Cooler has been equipped with an "automatic" control panel lock, that will activate 20 seconds after the last time a button has been touched.
- Push the  button for 2 seconds to

unlock the control panel. You will hear a "BEEP" sound to alert you that the control is now active.

- You can set the temperature as you desire by pushing the up or down button on the control panel. The temperature that you desire to set will increase / decrease 1°C if you push the button once.



UP



DOWN

## • INSTALLATION

- Unit is designed to be a table top model. Ventilation Space - a minimum ventilation volume of 200cm<sup>3</sup> is required.
- A minimum distance of 20mm is required for the cooler sides and any adjacent wall / obstruction.
- A minimum gap of at least 50mm is required between the rear of the unit and any adjacent wall / obstruction.
- Air passing around and through the unit must not be preheated.
- The entire cooling system must be considered in the issue of ventilation.
- **DO NOT** locate the unit in a damp location.
- Ensure that the work / floor surface is strong and stable enough to support the unit when it is fully loaded.
- Level the unit when in location by using the adjustable levelling feet in each corner.
- Once in position allow the unit to rest for an hour before turning it on.

## • OPERATION

- When you use the cooler for the first time or restart the cooler after having been shut off for a long time, there could be a few degrees variance between the temperature you select and the one indicated on the LED readout. This is normal and it is due to the length of the activation time. Once the cooler is running for a few hours everything will be back to normal.
- The refrigerator applies automatic defrosting system, so there is no need to defrost it manually.

## • STORAGE CAPACITY

- Many bottles may differ in size and dimensions. As such the actual number of bottles you may be able to store may vary. Bottle capacities are approximate maximums when storing traditional Bordeaux 750ml bottles and include bulk storage.

## • MAINTENANCE

- Remove the power plug from the supply when performing cleaning or maintenance.
- **DO NOT** use abrasive or chemical cleaning materials on any surface of the unit.
- Wipe interior and exterior surfaces with a damp cloth and dry thoroughly with a clean dry cloth.
- For more soiled surfaces use a neutral detergent, wipe down with a clean damp cloth and dry thoroughly with a clean dry cloth.
- It is recommended that the appliance be turned off if not being used.

## • TROUBLESHOOTING

• Symptom	• Possible Reason	• Action
• No Cooling	• No power	• Check the electricity supply, or change a new plug
	• PCB broken	• Replace a new PCB
	• Fan broken	• Replace a new fan
	• Leakage	• Replace a new heat pump
	• Cooling module bro	• Replace a new cooling module with silicone
• Poor Cooling	• High ambient temperature	• The room temperature is hotter than normal
	• Poor instruction	• The door is opened too often
	• Poor ventilation	• Install cooler according to our ventilation instruction
	• Poor gasket	• Replace a new door gasket
	• Poor silicone	• Change the silicone on the surface of the cooling module
• Noisy Operation	• Dust	• Clean the dust from the fan
	• Fan broken	• Change to a new fan
	• Poor heat pump	• Replace a new heat pump
• Frosting / Icing	• Poor heat pump	• Stop working for at least one hour, then restart it
	• Low ambient temperature	• Adjust the air-conditioner to be around 25 degree



### Environment Protection, Waste Electrical and Waste Electronic Equipment Regulations (WEEE)



Recycle unwanted packaging materials. When this product is no longer required, or has reached the end of its useful life, please dispose of in an environmentally friendly way. Drain any fluids (if applicable) into approved containers, in accordance with local waste regulations. It is our policy to continually improve products and we reserve the right to alter data, specifications and parts without prior notice. No liability is accepted for incorrect use of this product. Guarantee is 12 months from purchase date, proof of which is required for any claim.

### Dellonda Limited, Sole UK Distributor of Baridi

Kempson Way, Suffolk Business Park, Bury St Edmunds, Suffolk. IP32 7AR



01284 757575



support@dellonda.co.uk



www.dellonda.co.uk

## Product Information Sheet. Refrigerating Appliances

SUPPLIER\_NAME\_OR\_TRADEMARK      Dellonda EU Ltd.      DELEGATED\_ACT      EU/2019/2016  
 MODEL\_IDENTIFIER                      DH218

8 Bottle Wine Cooler, Thermoelectric, 8-18°C, Touch Control, Table Top

ADDRESS                                      Farney Street, Carrickmacross, Co. Monaghan, A81 PK68 Ireland  
 PHONE\_NUMBER                              01284 757 500  
 EMAIL\_ADDRESS                              TechnicalCompliance@dellonda.co.uk

Parameter                                      Verification tolerances

Low-noise appliance	No	Design type	Freestanding
Wine storage appliance	No	Other refrigerating appliance	No

### General product parameters

Height mm	305	Total volume. Litres.	21
Width mm	430		
Depth mm	495		
EEL	99	Energy efficiency class	E
Airborne acoustical noise emissions (dB(a) re 1 pW)	33	Airborne acoustical noise emission class	B
Annual energy consumption kWh/a	75.00	Climate class	N

**SN** = extended temperate(10-32°C)

**N** = temperate 16-32°C

**ST** = subtropical 16-38°C

**T** = tropical 16-43°C]

Minimum ambient temperature (°C) for which the refrigerating appliance is suitable.	16	Maximum ambient temperature (°C) for which the refrigerating appliance is suitable.	32
Winter setting	No		

Compartment type

Volume.  
Litres.

Recommended temperature setting for optimised food storage

(kg/24 h)

(auto = A Manual = D)

Freezing capacity

Defrosting type

Pantry	Yes	21.0	NA	-	NA
Wine storage appliance	No			-	
Beverage / Beer cooler	No			-	
Cellar	No			-	
Fresh food	No			-	
Chill	No			-	
0-star or ice-making	No			-	
1-star	No			-	
2-star	No			-	
3-star	No			-	
4-star	No			-	
2-star section	No			-	
Variable temperature compartment	Compartment types			-	

**4-star compartments**

**Light source parameters**

Fast freeze facility	No	Type of light source	LED
		Energy efficiency class	exempt
		Minimum duration of guarantee (years)	1

Suppliers website <https://www.dellonda.co.uk/>