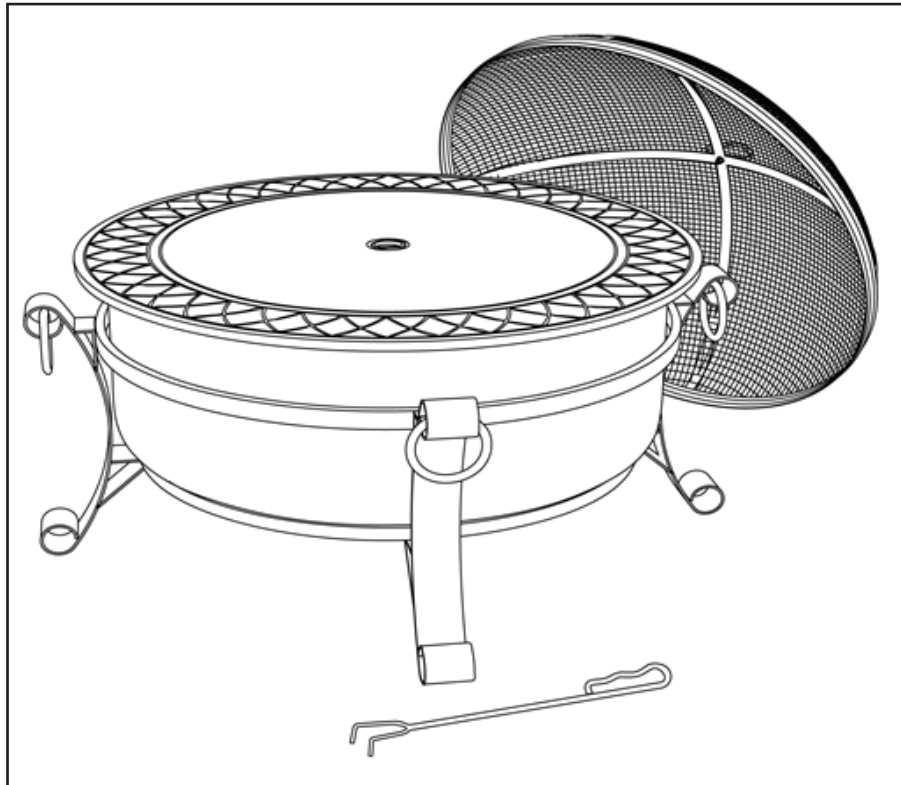




Dellonda 30" Deluxe 2-in-1 Outdoor Fire Pit/Coffee Table/Garden Patio Heater



Model No. DG42

Thank you for purchasing a Dellonda product. Manufactured to a high standard, this product will, if used according to these instructions, and properly maintained, give you years of trouble free performance.

Important Information

Please read these instructions carefully. Note the safe operational requirements, warnings & cautions. Use the product correctly and with care for the purpose for which it is intended. Failure to do so may cause damage and/or personal injury and will invalidate the warranty. Keep these instructions safe for future use.

Specification: Diameter: Ø30", Bowl depth: 11", Thickness:1mm

About the Product

Deluxe 2-in-1 fire pit. Supplied with steel lid allowing this fire pit to be converted into a coffee table. Manufactured from durable steel (1mm) with a contemporary bronzed finish. Includes mesh safety screen to prevent embers and sparks flying. Suitable for use with untreated wood and logs. Supplied with fire poker. Some simple assembly required.



Refer to
instruction
manual



Wear
Gloves



Warning:
Hot
Surface

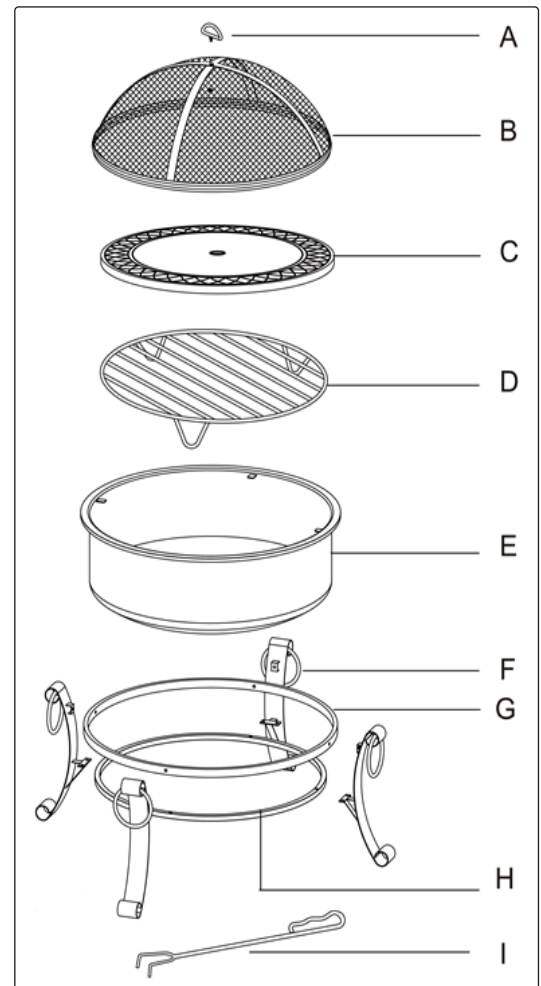
Safety Instructions

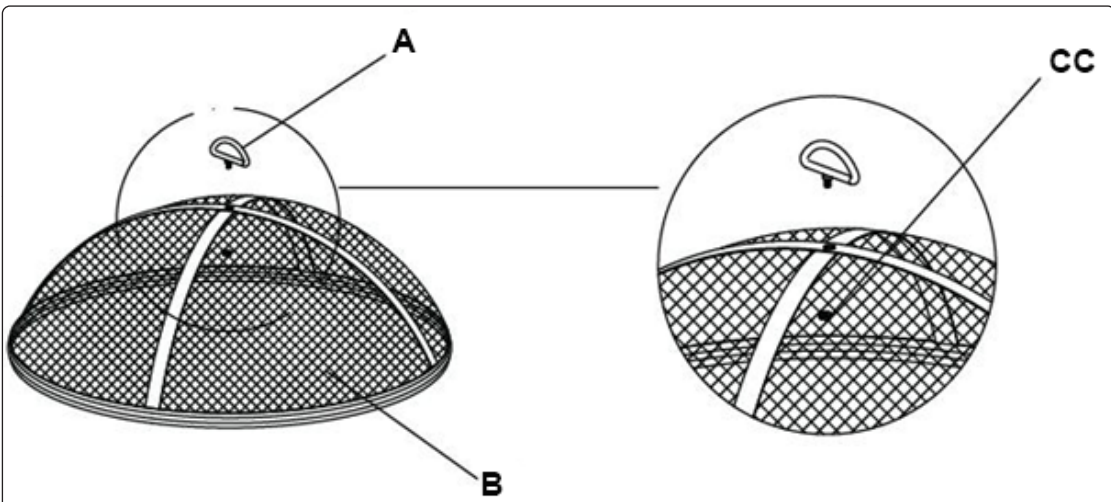
• GENERAL SAFETY

- **WARNING! The warnings, cautions and instructions in this manual cannot cover all possible conditions and situations that may occur. It must be understood by the operator that common sense and caution are factors which cannot be built into this product, but must be applied by the operator.**
- **WARNING! For outdoor use only, never burn in vehicles, tents or indoors.**
- Risk assess the area where the fire pit is to be used.
- Tabletop lid must be removed when fire pit is in use. Tabletop lid may be replaced **ONLY** after the fire has been extinguished and bowl has been allowed to cool. Tabletop lid may not be used to extinguish the fire. Doing so may damage lid and may cause burns or injury.
- **DO NOT** use the fire bowl to cook food, the fire bowl is not designed for grilling food.
- This fire bowl is intended to burn wood logs only. **DO NOT** use on wooden decks. **DO NOT** burn coal, leaves, or other combustible materials in the fire bowl.
- Add fuel gradually, a bit at a time.
- A gusty day can make a fire burn more fiercely, causing it to flare up unexpectedly.
- **DO NOT** use flammable liquids to start fires.
- Ensure there is a garden hose nearby, in case of emergency.
- Consider neighbours, ensure the smoke generated will not affect them.
- Keep away from combustible materials. Site away from fences, shrubs, trees, garden structures and buildings. A gusty day can make a fire burn more fiercely, causing it to flare up unexpectedly.
- Not for use by children. Keep children and pets away from the fire bowl.
- The fire bowl is hot. Use with caution. **DO NOT** touch the hot fire bowl with bare hands.
- Never leave the burning fire bowl unattended, and always extinguish the fire completely.
- **DO NOT** use fire bowl near flammable or combustible objects or materials.
- When the fire bowl is in use, the handle on the mesh screen can reach extreme temperatures that can cause serious injury to an unprotected hand. Use a poker or an appropriate heat resistant glove or pad when handling.
- The poker handle may become hot during and after use.
- Check local fire regulations and municipal by-laws for safe use.
- Check tightness of fixings periodically.
- Only use on level ground.
- **DO NOT** move whilst lit.
- **WARNING** Although we take every effort to ensure that the assembly process is as easy as possible, it is inherent with fabricated steel parts that corners and edges can cause cuts if improperly handled during assembly procedures. Be careful whilst handling parts during assembly. It is strongly recommended that hands are protected with a pair of work gloves.
- Keep children and pets away from the area.

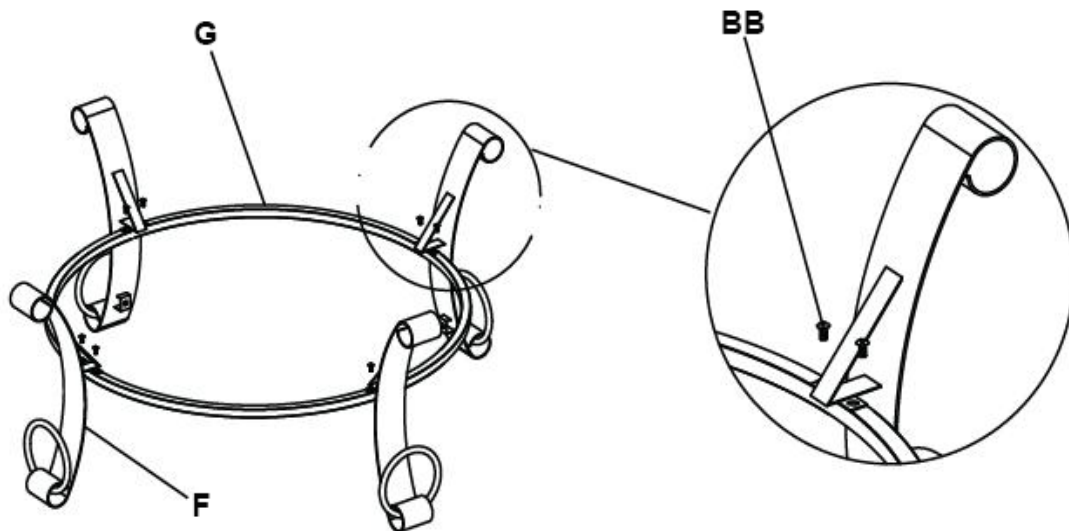
Contents

Part no.	Description	Qty.
A	Handle	1
B	Safety mesh screen	1
C	Tabletop lid	1
D	Wood grate	1
E	Fire bowl	1
F	Legs	4
G	Upper support ring	1
H	Lower support ring	1
I	Poker	1
AA	M6x16mm bolt	4
BB	M6x12mm bolt	8
CC	M6 nut	1

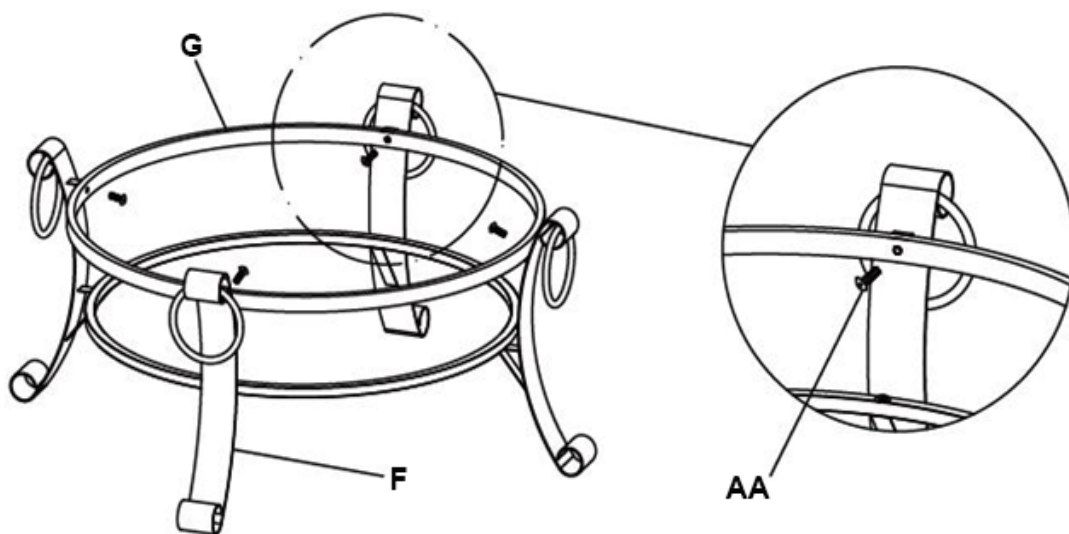




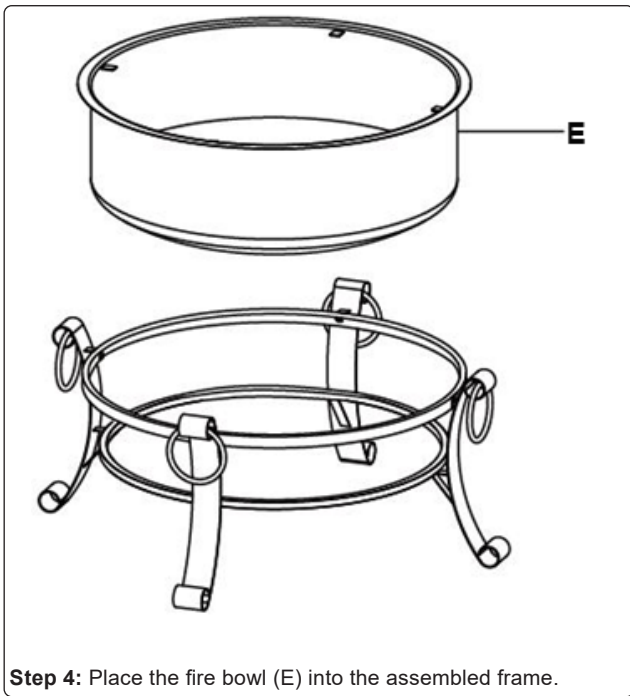
Step 1: Insert handle (A) into hole in Safety Mesh Screen (B) and tighten it with M6 Nut (CC) underside to secure.



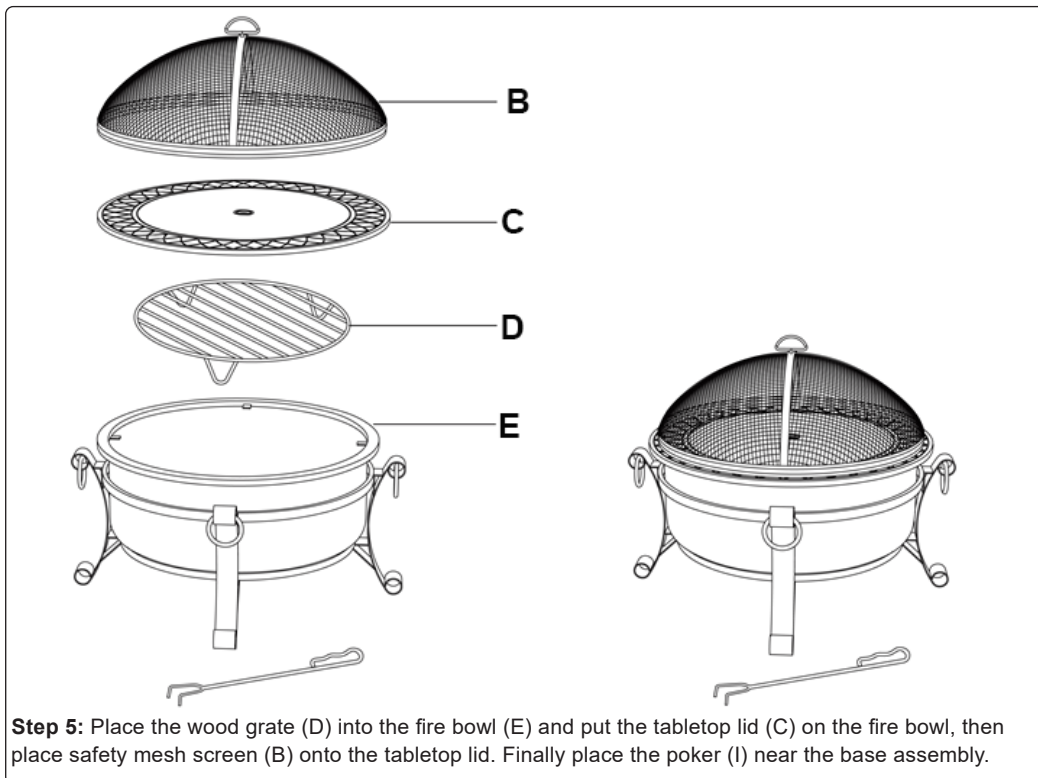
Step 2: Connect Lower Support Ring (H) to the legs (F) by using M6x12mm Bolt (BB), Do not tighten hardware at this time.



Step 3: Connect Upper Support Ring (G) to the legs (F) by using M6x16mm Bolt (AA). Tighten all the hardware.



Step 4: Place the fire bowl (E) into the assembled frame.



Step 5: Place the wood grate (D) into the fire bowl (E) and put the tabletop lid (C) on the fire bowl, then place safety mesh screen (B) onto the tabletop lid. Finally place the poker (I) near the base assembly.

Maintenance

- Clean with a non abrasive, non solvent based, mild detergent.

Storage

- Store in a dry place.

Environment Protection and Waste Protection and Electrical Equipment Regulations (WEEE)

Recycle unwanted packaging materials. When this product is no longer required, or has reached the end of its useful life, please dispose of it in an environmentally friendly way. Drain any fluids (if applicable) into approved containers, in accordance with local waste regulations. Under the Waste Batteries and Accumulators Regulations 2009, Dellonda would like to inform the user that this product contains one or more batteries. It is our policy to continually improve products and we reserve the right to alter data, specifications and parts without prior notice. No liability is accepted for incorrect use of this product. Guarantee is 12 months from purchase date, proof of which is required for any claim.

Dellonda Limited

Kempson Way, Suffolk Business Park, Bury St Edmunds, Suffolk. IP32 7AR



01284 757575



support@dellonda.co.uk



www.dellonda.co.uk