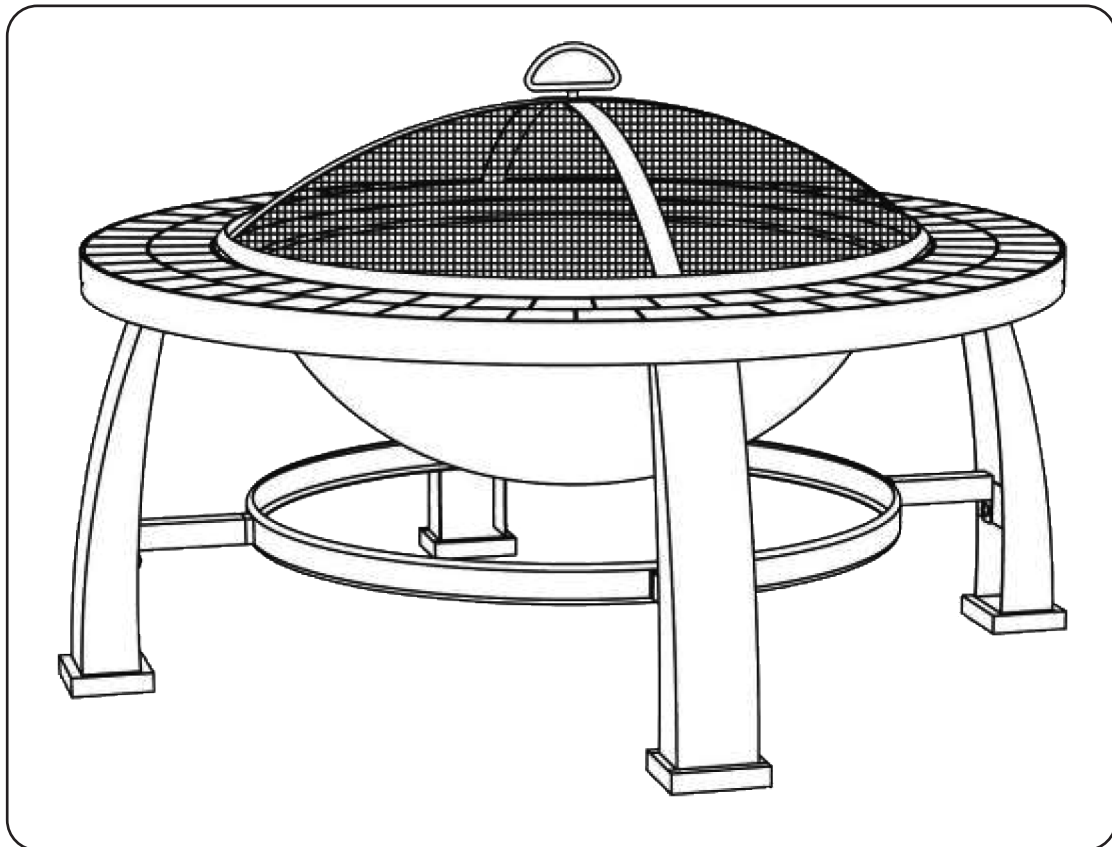




Dellonda 30" Deluxe Traditional Style Fire Pit, Fireplace and Outdoor Heater - Slate



Model No. DG111

Thank you for purchasing a Dellonda product. Manufactured to a high standard, this product will, if used according to these instructions, and properly maintained, give you years of trouble free performance.

Important Information

Please read these instructions carefully. Note the safe operational requirements, warnings & cautions. Use the product correctly and with care for the purpose for which it is intended. Failure to do so may cause damage and/or personal injury and will invalidate the warranty. Keep these instructions safe for future use.

About the Product

30" Deluxe fire pit is perfect for socialising with family and friends providing warmth on cool evenings. Manufactured from durable steel with a high temperature finish. Features safety mesh screen to prevent embers and sparks flying out. Suitable for use with untreated wood and logs. Supplied with fire poker. Assembled Dimensions (W x D x H): 760 x 760 x 490mm. Some simple assembly required.



Refer to
instruction
manual



Wear
Gloves



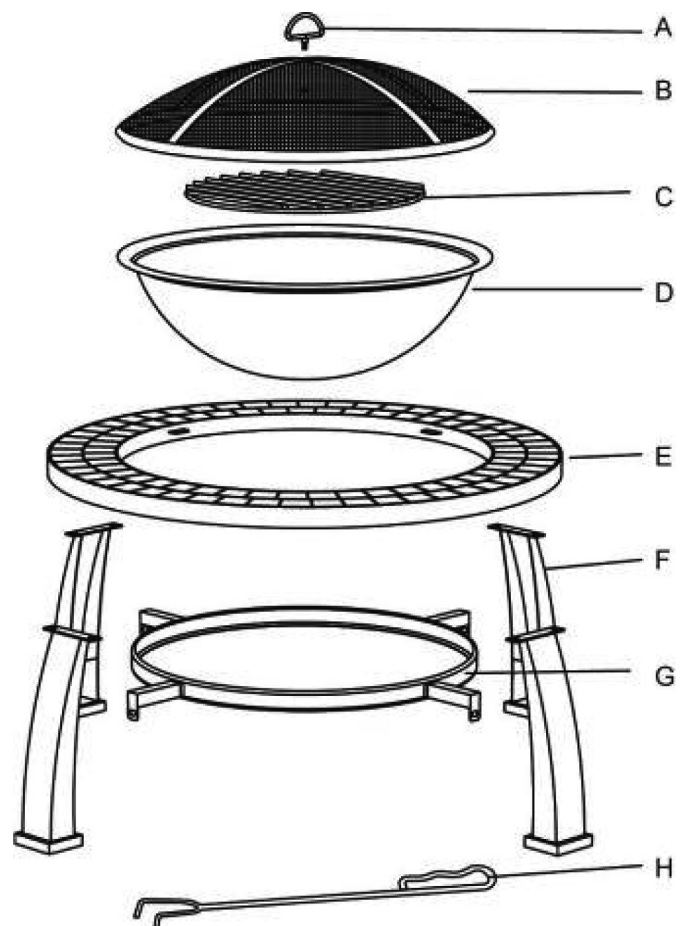
Warning:
Hot
Surface

Safety Instructions

- **GENERAL SAFETY**
- **WARNING! The warnings, cautions and instructions in this manual cannot cover all possible conditions and situations that may occur. It must be understood by the operator that common sense and caution are factors which cannot be built into this product, but must be applied by the operator.**
- **WARNING! For outdoor use only, never burn in vehicles, tents or indoors.**
- Risk assess the area where the fire pit is to be used.
- **DO NOT** use the fire bowl to cook food, the fire bowl is not designed for grilling food.
- This fire bowl is intended to burn wood logs only. **DO NOT** use on wooden decks. **DO NOT** burn coal, leaves, or other combustible materials in the fire bowl.
- Add fuel gradually, a bit at a time.
- A gusty day can make a fire burn more fiercely, causing it to flare up unexpectedly.
- **DO NOT** use flammable liquids to start fires.
- Ensure there is a garden hose nearby, in case of emergency.
- Consider neighbours, ensure the smoke generated will not affect them.
- Keep away from combustible materials. Site away from fences, shrubs, trees, garden structures and buildings. A gusty day can make a fire burn more fiercely, causing it to flare up unexpectedly.
- Not for use by children. Keep children and pets away from the fire bowl.
- The fire bowl is hot. Use with caution. **DO NOT** touch the hot fire bowl with bare hands.
- Never leave the burning fire bowl unattended, and always extinguish the fire completely.
- Ensure that the fire is fully extinguished, with no hot embers, before it is left.
- **DO NOT** use fire bowl near flammable or combustible objects or materials.
- When the fire bowl is in use, the handle on the mesh screen can reach extreme temperatures that can cause serious injury to an unprotected hand. Use a poker or an appropriate heat resistant glove or pad when handling.
- The poker handle may become hot during and after use.
- Check local fire regulations and municipal by-laws for safe use.
- Check tightness of fixings periodically.
- Only use on level ground.
- **DO NOT** move whilst lit.
- **WARNING** Although we take every effort to ensure that the assembly process is as easy as possible, it is inherent with fabricated steel parts that corners and edges can cause cuts if improperly handled during assembly procedures. Be careful whilst handling parts during assembly. It is strongly recommended that hands are protected with a pair of work gloves.
- Keep children and pets away from the area.

Contents

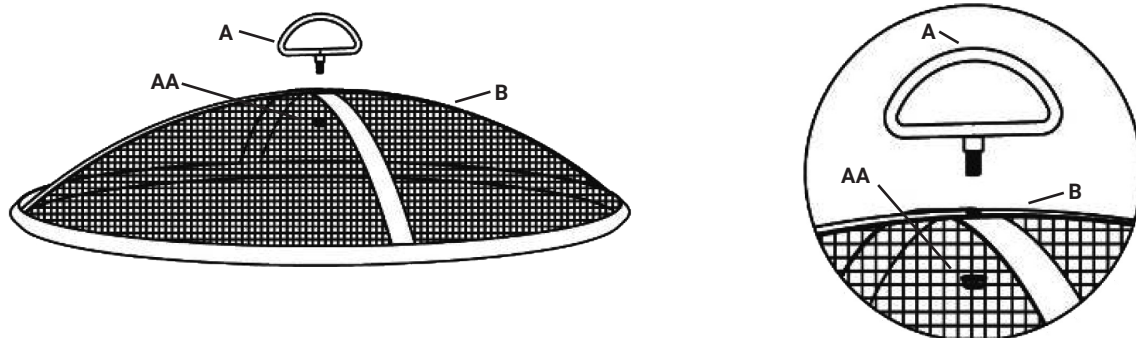
No.	Description.	Qty.
A	Handle	1
B	Safety Mesh Screen Cover	1
C	Wood Grate	1
D	Fire Bowl	1
E	Slate Top	1
F	Legs	4
G	Leg Support Ring	1
H	Poker	1
AA	M6 Nut	1
BB	M6x10mm bolt	12



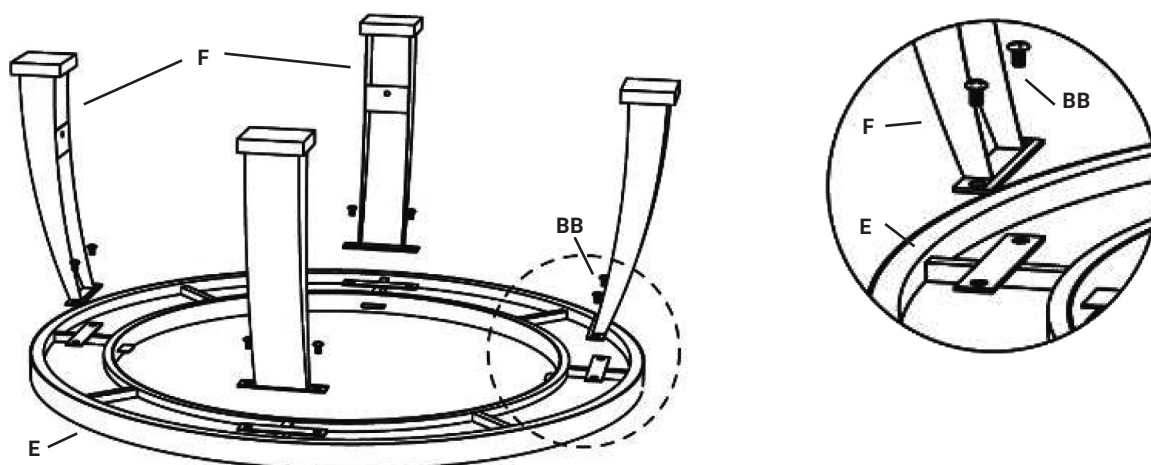
Assembly

Before assembly ensure there is enough space to work on the fire pit, lay a sheet of card down to assemble the unit onto to avoid damage.

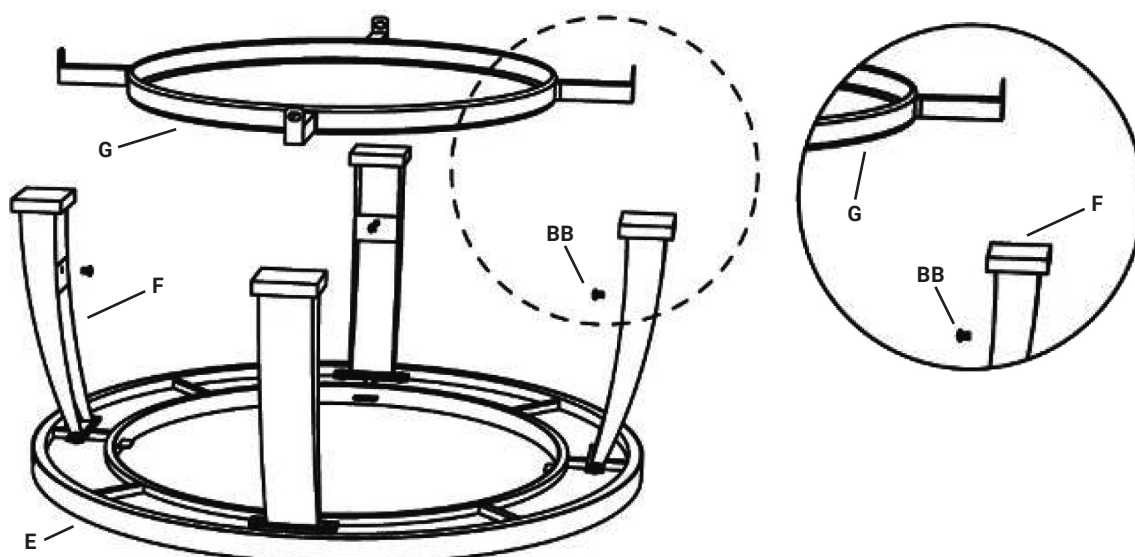
Step 1: Insert handle for the cover (A) into the safety mesh screen cover and secure in place with M6 nut (AA)



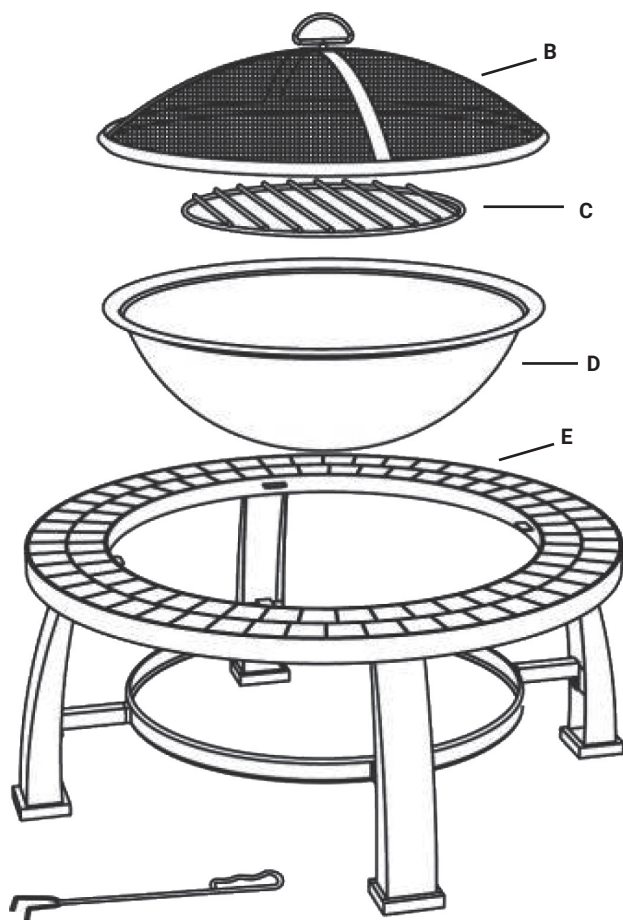
Step 2: Position the legs (F) onto the fixing holes on the underside of the Slate Top (E) and loosely bolt on with M6 x 10mm bolts (fully tighten after Step 3).



Step 3: Offer in the Leg Support Ring (G) as shown and loosely screw it in place with M6 x 10mm bolts, once the assembly is together and all bolts are in position, tighten all fixings.



Once the base section is assembled carefully turn it onto it's feet. Set into the Slate Top (E) the Fire Bowl (D) and Wood Grate (C) and finally put in place the Safety Mesh Screen Cover (B)



Maintenance

- Clean with a non abrasive, non solvent based, mild detergent.

Storage

- Store in a dry place.

Environment Protection and Waste Protection and Electrical Equipment Regulations (WEEE)

Recycle unwanted packaging materials. When this product is no longer required, or has reached the end of it's useful life, please dispose of it in an environmentally friendly way. Drain any fluids (if applicable) into approved containers, in accordance with local waste regulations. It is our policy to continually improve products and we reserve the right to alter data, specifications and parts without prior notice. No liability is accepted for incorrect use of this product. Guarantee is 12 months from purchase date, proof of which is required for any claim.

Dellonda Limited

Kempson Way, Suffolk Business Park, Bury St Edmunds, Suffolk. IP32 7AR

☎ 01284 757575

✉ support@dellonda.co.uk

🌐 www.dellonda.co.uk