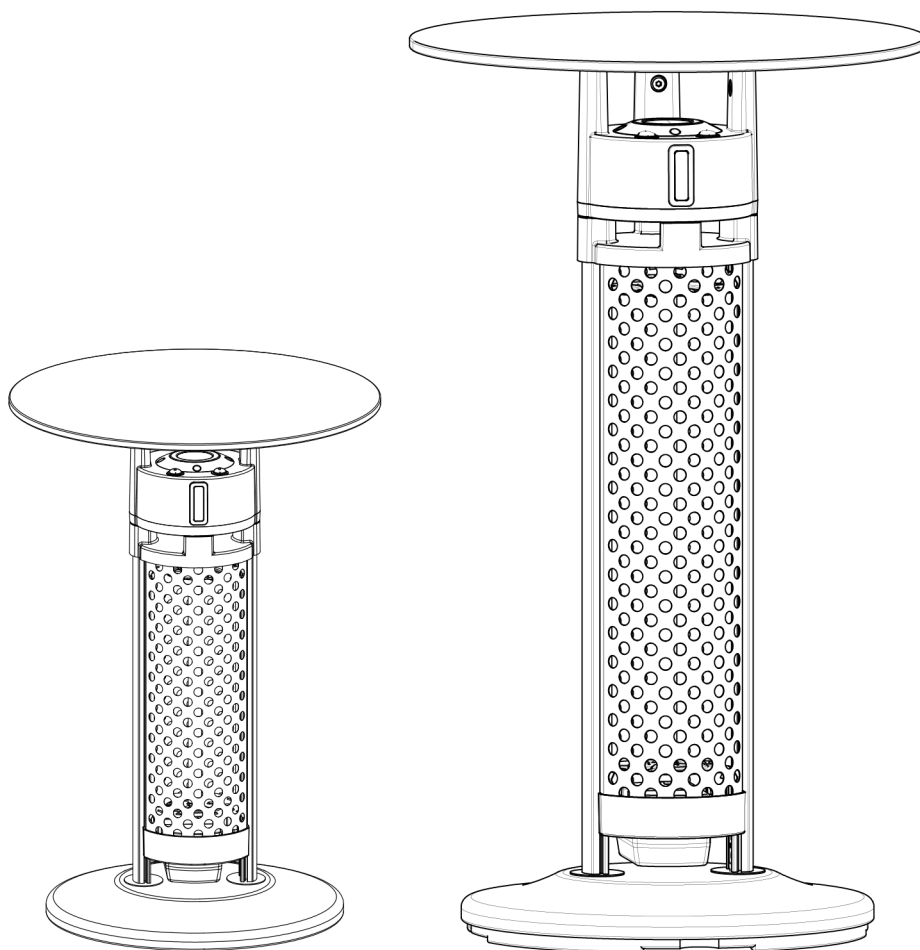




Bistro Table Heater, LED & Sensors, Glass Top; 95cm & 65cm



Model No. DG62 & DG63

Thank you for purchasing a Dellonda product. Manufactured to a high standard, this product will, if used according to these instructions, and properly maintained, give you years of trouble free performance.

Important Information

Please read these instructions carefully. Note the safe operational requirements, warnings & cautions. Use the product correctly and with care for the purpose for which it is intended. Failure to do so may cause damage and/or personal injury and will invalidate the warranty. Keep these instructions safe for future use.



Refer to
instruction
manual



Warning:
Hot
Surface



Do Not Cover

About the Product

IR Sensing table heater with three built-in sensors, automatically turns on and off when motion is detected. Motion sensors can be turned off and heater used for a constant heat output. High efficiency carbon fibre heating element. Stylish and modern design with stainless steel/black body and tempered glass table top. IP44 Rating offers splash resistance from all directions. Features LED light beneath glass table top. Built-in tip-over safety switch.

Safety Instructions

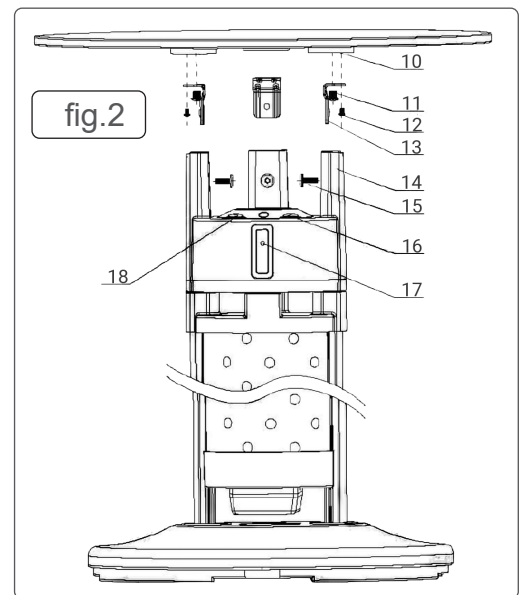
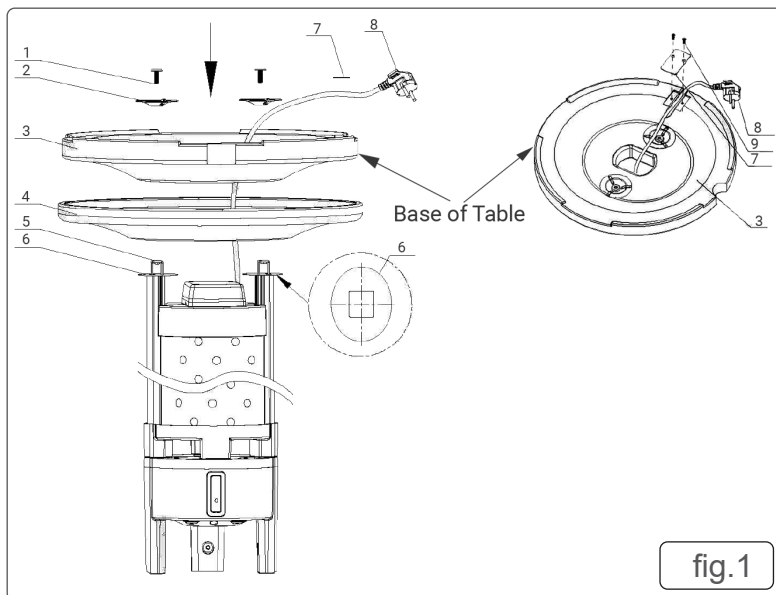
- Children aged from 3 years and less than 8 years shall only switch on/off the appliance provided that it has been placed or installed in its intended normal operating position and they have been given supervision or instruction concerning use of the appliance in a safe way and understand the hazards involved. Children aged from 3 years and less than 8 years shall not plug in, regulate and clean the appliance or perform user maintenance.
- Children of less than 3 years should be kept away unless continuously supervised.
- **CAUTION** – Some parts of this product can become very hot and cause burns. Particular attention has to be given where children and vulnerable people are present.
- The heater must not be located immediately below a socket-outlet.
- **DO NOT** use this heater with a programmer, timer or any other device that switches the heater on automatically, since a fire risk exists if the heater is covered or positioned incorrectly.
- **DO NOT** use this heater in the immediate surroundings of a bath, a shower or a swimming pool.
- **DO NOT** place the unit close to curtain and/or other flammable objects. Otherwise there will be a danger of catching fire.
- **DO NOT** cover the unit with anything during operation or a short time after it's shut down.
- **DO NOT** wrap the power supply cord on the unit.
- **DO NOT** use this unit in place where causticity or volatile air exists, i.e. dust, steam, gas, etc.
- **DO NOT** use this unit as a cloth drier or towel drier.
- **DO NOT** use this unit as a sauna heater.
- **DO NOT** use this unit as a room heater or heat storing.
- **DO NOT** use this unit in place of animal propagating and raising.
- **DO NOT** use this unit in heating system of hot air centre.
- **DO NOT** immerse this unit into water for cleaning.
- The unit must be placed with the clearance of 150cm at least to the wall.
- The unit must be securely placed on a horizontal and flat surface.
- The unit is at high temperature during operation. It keeps hot for a period after shut down. Potential danger would occur when touching it during this period.
- The unit must be handled with care, and avoid of vibration or hitting.
- The unit must be securely grounded during operation.
- When damaged, the unit must be repaired by professional repairing team.
- If the supply cord is damaged, it must be replaced by the manufacturer, its service agent or similarly qualified persons in order to avoid a hazard.
- When assembling, keep clear from any board or flammable material.
- This appliance is not intended for use by persons (including children) with reduced physical, sensory or mental capabilities, or lack of experience and knowledge, unless they have been given supervision or instruction concerning use of the appliance by a person responsible for their safety.
- The unit is for outdoor use only. It's not allowed to use in building site, greenhouses, barn or stable where there's flammable dust.
- The head of the unit is at high temperature during operation. Unplug the unit and wait till it's cool before cleaning.
- The unit should be plugged in a socket, which is easily visible and reachable.
- **WARNING:** This heater is not equipped with a device to control the room temperature. **DO NOT** use this heater in small rooms when they are occupied by persons not capable of leaving the room on their own, unless constant supervision is provided.
- **WARNING:** In order to avoid over heating, **DO NOT** cover the heater.

Specification

Model	DG62	DG63
Power:	1200W	1600W
Supply:	230V	230V
Table Top Diameter:	Ø50cm	Ø50cm
Base Diameter:	Ø40cm	Ø40cm
Table Height:	65cm	95cm
Mains Cable Length:	1.8m	1.8m
IP Rating:	IP44	IP44

Assembly

- Put the main body up-side-down (Fig.1). Slide Deco. Board (Fig.1.6) onto Base Bracket (Fig.1.5).
- Put the plug (Fig.1.8) and power supply cord through the holes on the centre of Base Cover (Fig.1.4) and Base (Fig.1.3).
- Then slide Base Cover (Fig.1.4) , Base (Fig.1.3) and Washer (Fig.1.2) onto Base Bracket (Fig.1.5) respectively.
- Fix Washer (Fig.1.2), Base (Fig.1.3), Base Cover (Fig.1.4) and Base Bracket (Fig.1.5) with Screw M6*20 (Fig.1.1).
- Clip the power supply cord with Cord Clip (Fig.1.7) and fix it onto Base (Fig.1.3) with Screw (Fig.1.9).
- Stand the unit correctly (Fig.2). Fix L Bracket (Fig.2.13) onto Aluminium Fixtures (Fig.2.10) with Screw M8*6 (Fig.2.12) & M4*6 (Fig.2.11) respectively.
- Then slide L Bracket (Fig.2.13) into the holes of Control Box (Fig.2.14).
- Fix L Bracket (Fig.2.13) onto Control Box (Fig.2.14) with Screw M6*16 (Fig.2.15).

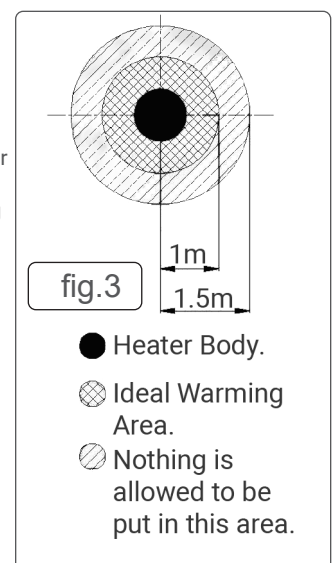


Operation

- Plug in the unit to a mains supply.
- Press LED Lighting Switch (Fig.2.18) to switch on or off the LED lighting.
- Press Heater Switch (Fig.2.16) to position “-” to switch on the heater directly.
- Press Heater Switch (Fig.2.16) to position “=”, IR sensors are activated. The Sub Heating Element will come on immediately. IR Sensor indicator Light (Fig.2.17) starts to flash.
- When people or other objects are inside the sensing area (within about 0.6m around the heater body), IR Sensor Indicator Light (Fig.2.17) lights up, and the main heating element is switched on automatically, while the sub heating element turns off automatically. When people or other objects leave the sensing area, the main heating element will switch off after 5 seconds, while the sub heating element is switched on again automatically. IR Sensor LED starts to flash again.
- **Note:** IR sensing distance may differ from different material and colour. If there is some mirrored material around the unit, i.e. glass mirror, stainless steel mirror, aluminium mirror, etc, the sensing distance may extend to 3.5m.
- Fig.3, **DO NOT** leave items unattended in the indicated areas.

Maintenance

- **WARNING:** Allow to cool down before handling or moving.
- Cleaning: Unplug the unit before cleaning. It should be wiped with wet cloth. **DO NOT** use too much water.
- This heater cannot be serviced by the user. Contact Dellonda.



Environment Protection and Waste Protection and Electrical Equipment Regulations (WEEE)



Recycle unwanted packaging materials. When this product is no longer required, or has reached the end of its useful life, please dispose of it in an environmentally friendly way. Drain any fluids (if applicable) into approved containers, in accordance with local waste regulations. It is our policy to continually improve products and we reserve the right to alter data, specifications and parts without prior notice. No liability is accepted for incorrect use of this product. Guarantee is 12 months from purchase date, proof of which is required for any claim.

Dellonda Limited

Kempson Way, Suffolk Business Park, Bury St Edmunds, Suffolk. IP32 7AR



01284 757575



support@dellonda.co.uk



www.dellonda.co.uk