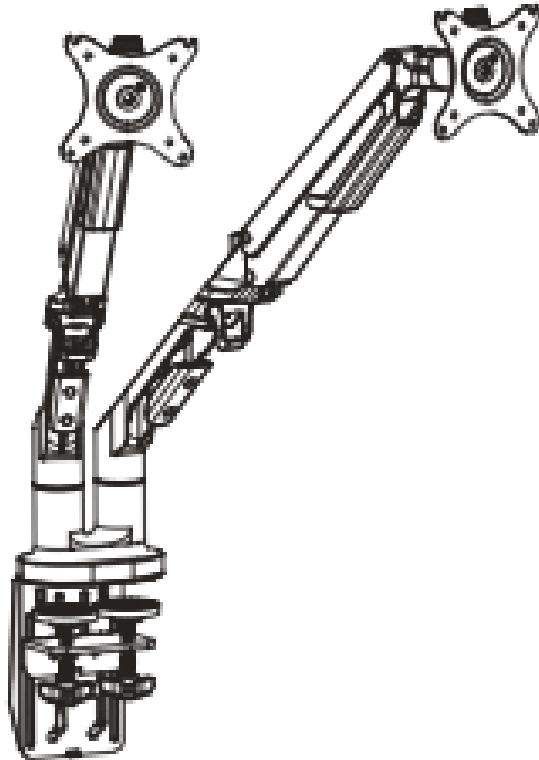




Adjustable Double Monitor Arms Quick Release VESA Plate for 17-32" Screens



Model No. DH27

Thank you for purchasing a Dellonda product. Manufactured to a high standard, this product will, if used according to these instructions, and properly maintained, give you years of trouble-free performance.

Important Information

Please read these instructions carefully. Note the safe operational requirements, warnings & cautions. Use the product correctly and with care for the purpose for which it is intended. Failure to do so may cause damage and/or personal injury and will invalidate the warranty. Keep these instructions safe for future use.

Contents



M4x12



A(x8)

M5x12



B(x8)

M6x12



C(x3)

Ø6.5x13



D(x16)

4x4



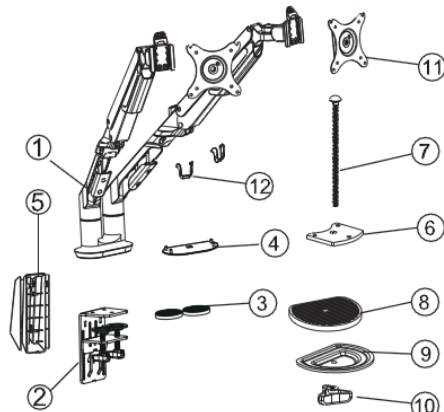
E(x1)

5x5



F(x1)

1. Support arm x1
2. Base mounting plate x1
3. Protection pad x2
4. Protection pad x1
5. Plastic cable cover x1
6. Perforated plate x1
7. Long screw x1
8. Protection pad x1
9. Pressure plate x1
10. Knob x1
11. Mount plate x2
12. Clip x2



Refer to
instruction
manual



Wear
safety
footwear

About the Product

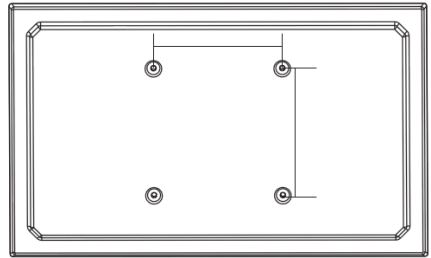
Adjustable double monitor arm creates a more ergonomic workspace. Features quick release VESA plate making the mounting process quick and simple. Monitor arms easily adjust using gas spring system. Features 360° rotation enabling you to convert your display orientation from landscape to portrait. Features cable management system ensuring a tidy desk.

Safety Instructions

- This product contains small items that could be a choking hazard if swallowed. Keep these items away from small children.
- Ensure instructions are read and completely understood before attempting installation. If unsure contact a professional installer for assistance.
- The desk/mounting surface must be capable of supporting the combined weight of the mount and the display. Otherwise the structure must be reinforced.
- Never exceed the max. load of 9kg.
- Safety gear (safety shoes) and proper tools must be used.
- A minimum of 2 people are required for this installation. Failure to use safety equipment can result in property damage, serious injury or death.

- Check fixings for tightness every 2 months.
- Note: this product is intended for indoor use only.
- **WARNING!** This product contains high pressure gas spring parts. Do not put into a fire, high temperature or disassemble it.
- To ensure the sealing performance of the gas spring the upper arm (with the spring) should

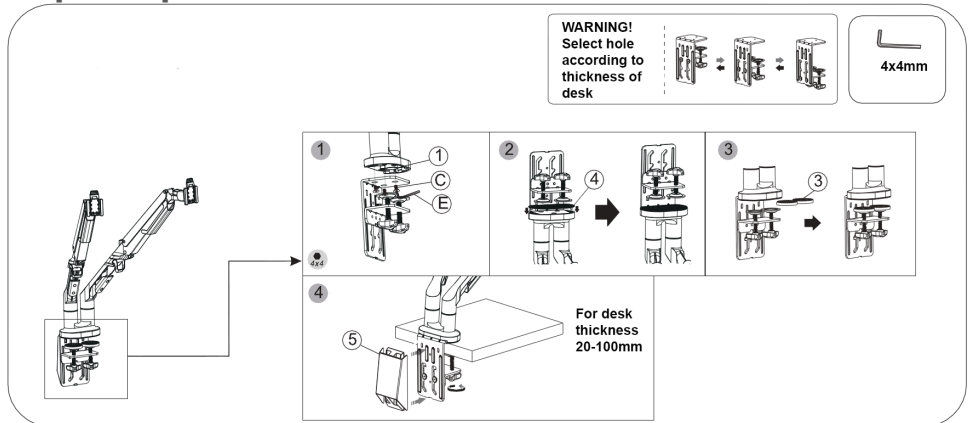
75x75mm/100x100mm



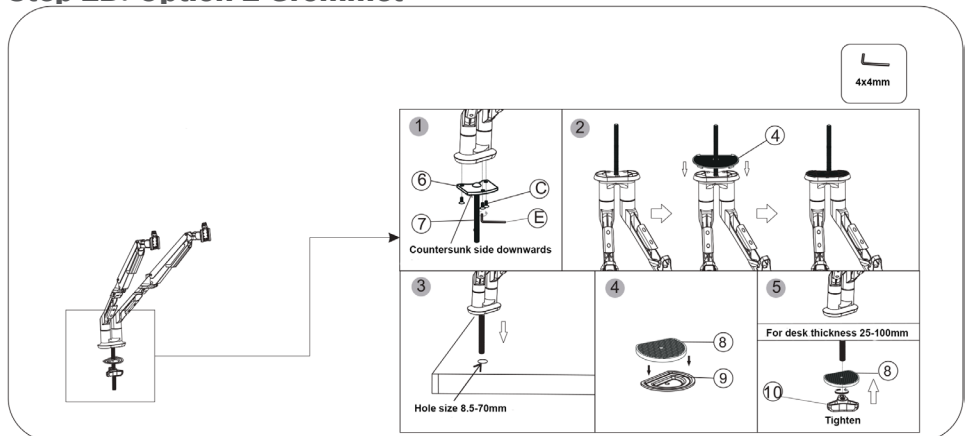
Step 1: Preparation before monitor installation

- Make sure there are **VESA** holes 100 x 100mm or 75 x 75mm in the monitor. If not, the mount can not be installed, refer to diagram above.
- Remove the original fixed base of the monitor. Be careful to not scratch the screen.

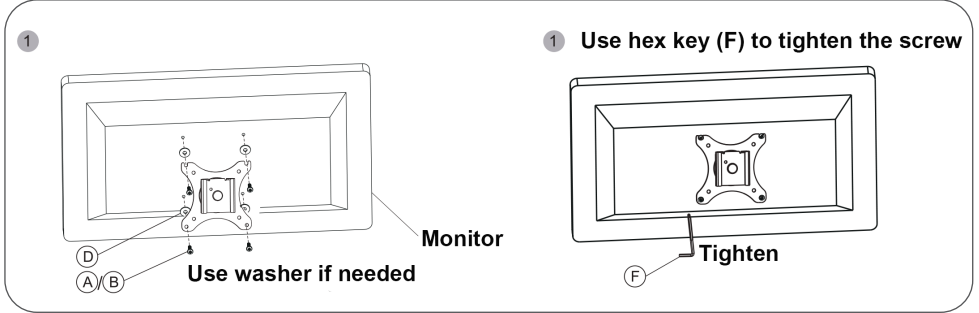
Step 2A: Option 1



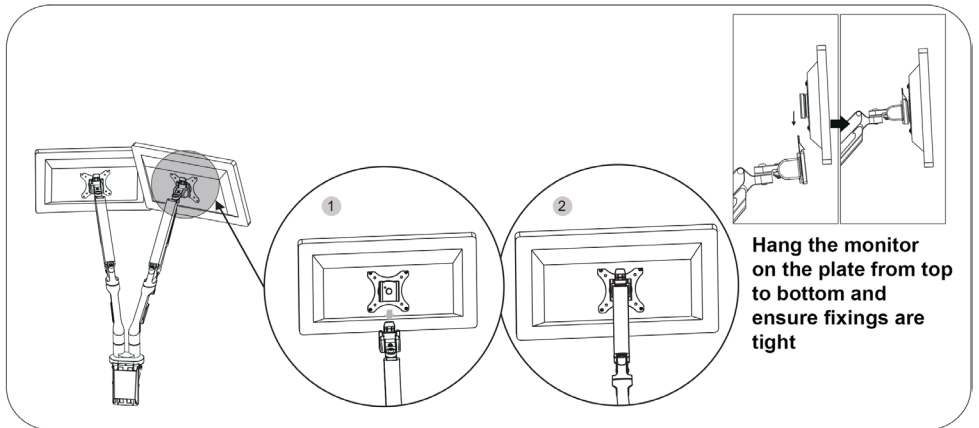
Step 2B: Option 2 Grommet



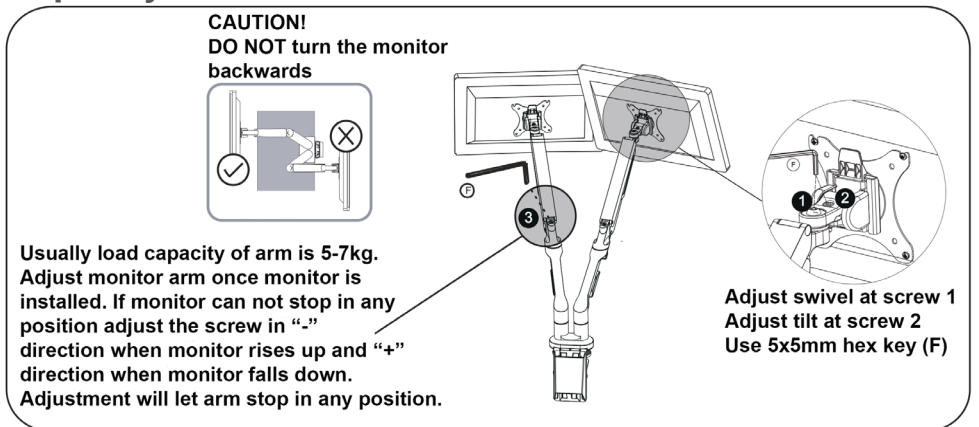
Step 3: Connect plate to monitor



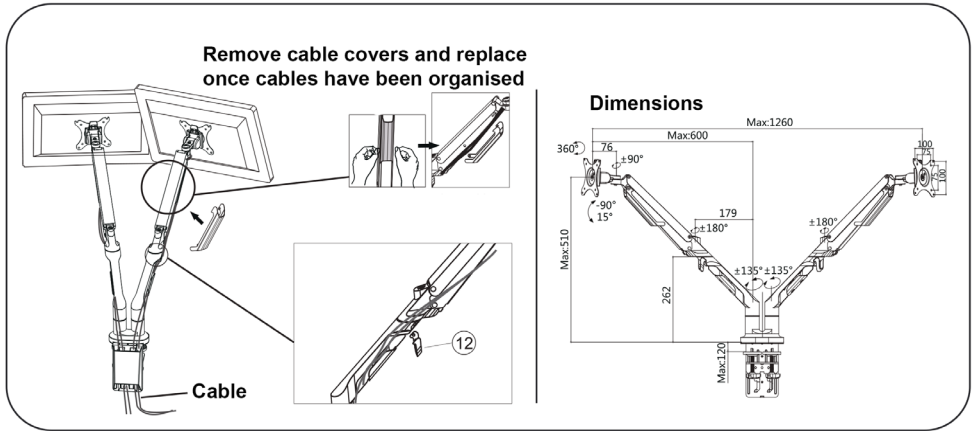
Step 4: Fit monitor to arm



Step 5: Adjust the monitor



Step:6 Cable Management



Specification

- Supported VESA: 75 x 75, 100 x 100mm
- Supported screen size: 17-32"
- Load capacity: 2-9kg
- Tilt range: -90 - 15°
- Installation: Clamp & grommet

Environment Protection

Recycle unwanted materials instead of disposing of them as waste. All tools, accessories and packaging should be sorted, taken to a recycling centre and disposed of in a manner which is compatible with the environment. When the product becomes completely unserviceable and requires disposal, drain any fluids (if applicable) into approved containers and dispose of the product and fluids according to local regulations.

Dellonda Limited

Kempson Way, Suffolk Business Park, Bury St Edmunds, Suffolk. IP32 7AR



01284 757575



support@dellonda.co.uk



www.dellonda.co.uk