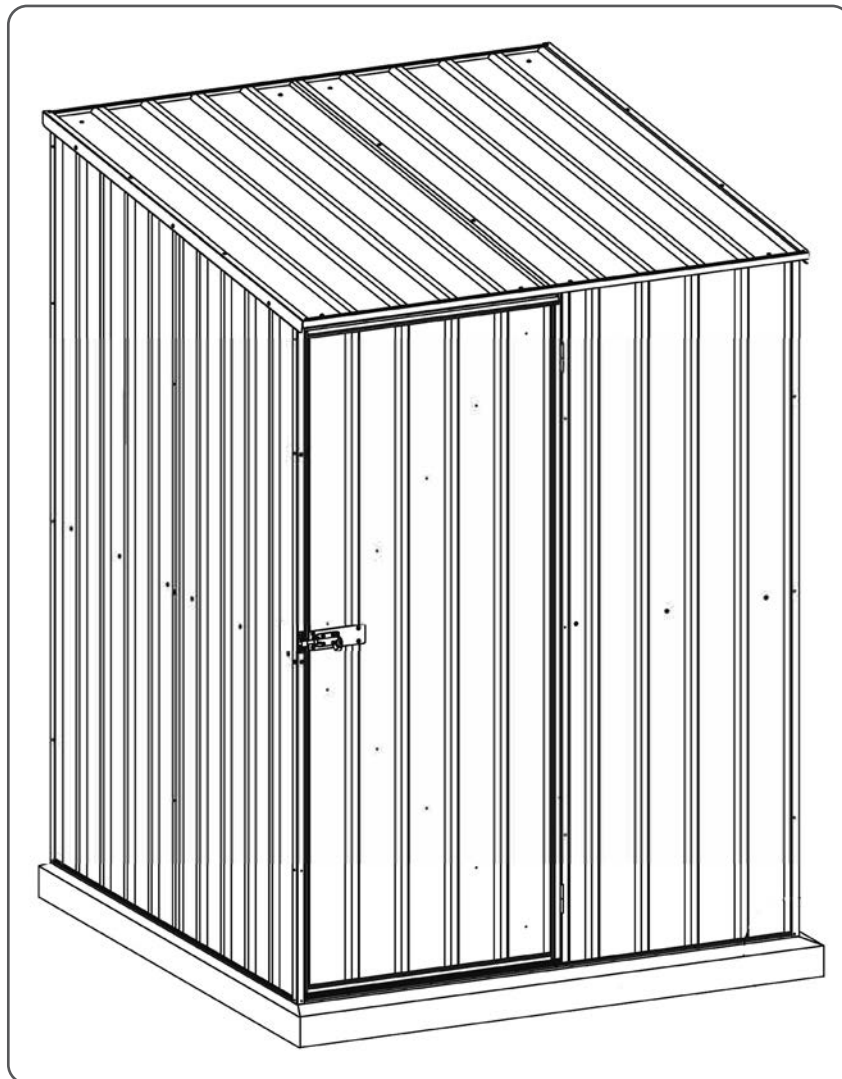




**Galvanised Steel Garden/Outdoor/
Storage Shed 1.51 x 1.51 x 2m Pent
Roof, Green**



Model No. DG114

Thank you for purchasing a Dellonda product. Manufactured to a high standard, this product will, if used according to these instructions, and properly maintained, give you years of trouble free performance.

Important Information

Please read these instructions carefully. Note the safe operational requirements, warnings & cautions. Use the product correctly and with care for the purpose for which it is intended. Failure to do so may cause damage and/or personal injury and will invalidate the warranty. Keep these instructions safe for future use.



Refer to
instruction
manual



Wear protective
gloves



Wear eye
protection



Wear safety
footwear

About the Product

Galvanized steel panels easily assembled to form rigid and secure structure, Doors are secured by cross bolt and eyelet which will accept a padlock (not included) for additional security. All models are supplied with bolt down fixing kits.

• SPECIFICATION

- Model no: **DG114**
- Width: 1510mm
- Depth: 1510mm
- Height: 2000*mm
- Roof type: Pent

* Denotes minimum wall height

Safety Instructions

- **WARNING!** Ensure Health & Safety, local authority, and general workshop practice regulations are adhered to when building this shed.
- Keep children and unauthorised persons away from the working area
- **DO NOT** use the shed for any purpose other than that for which it is designed.
- Use appropriate safety clothing including eye protection.
- **NOTE:** The assembly of this product will require assistance.
- **DO NOT** attempt assembly in windy conditions.

Tools required

- Drill, measuring tape, cross head screwdriver, rivet gun, rubber mallet, sturdy ladder, adjustable spanner, 2 saw horses, 3mm steel drill bit, 9mm masonry drill bit.

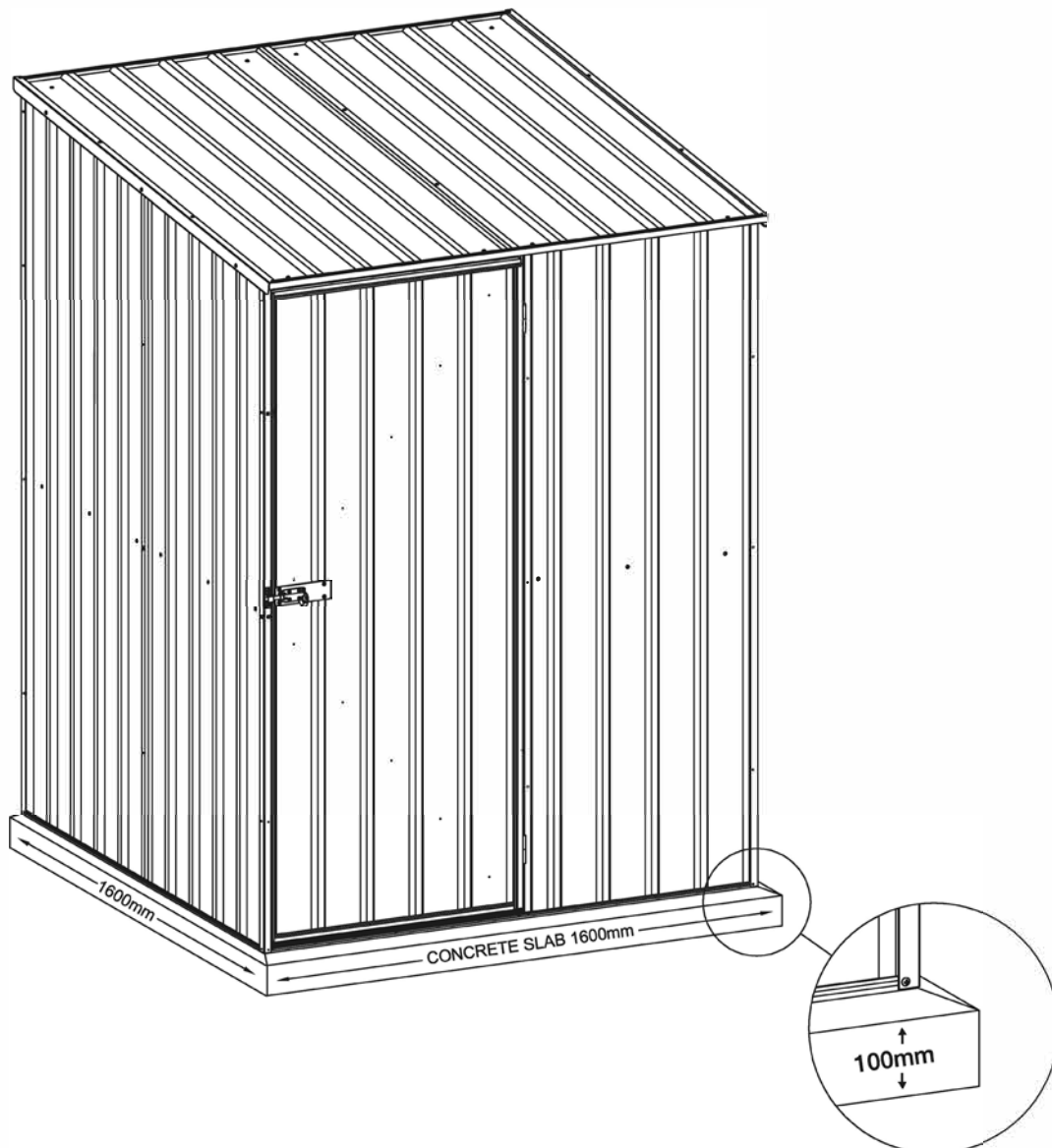
1. ASSEMBLY

Build your garden shed in 7 easy steps!

- Step 1:** Check all parts against the component list
- Step 2:** Assemble the rear wall panels
- Step 3:** Assemble the side wall panels
- Step 4:** Assemble the roof panels
- Step 5:** Assemble the front wall panel
- Step 6:** Assemble the front door
- Step 7:** Fit the panels together












IMPORTANT: *It is recommended that your new shed is secured to a concrete slab as per the specifications in this manual.*

Concrete slab: Please ensure that your site is level. It is recommended that your slab is 100mm thick and you use builder's plastic and F52 reinforcing mesh. We recommend that you make your slab approximately 100mm bigger than the base dimensions of your shed. This will allow for a 50mm edge around your shed. We recommend that you slope the 50mm edges downward by 10mm so that rain water can drain away from your shed.








Step 1: Check all parts against the component list





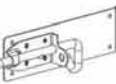









Lay out all parts with number facing outwards and check off against parts list.


Picture	Description	Component	Location	Part No.	QTY	Check
	Sheet	Sheet 1957x770	Rear wall	S87	2	
	Sheet	Sheet 1877-1957x770 (Right)	Side wall	S88	1	
	Sheet	Sheet 1877-1957x770 (Left)	Side wall	S89	1	
	Sheet	Sheet 1800-1880x770 (Right)	Side wall	S90	1	
	Sheet	Sheet 1800-1880x770 (Left)	Side wall	S91	1	
	Sheet	Sheet 1600x770	Roof	8	2	
	Sheet	Sheet 1800x708	Front	S86	1	
	Door Sheet	Sheet 1745x770	Door	D18R	1	
	Channel	Channel 1743	Door	M24	1	
	Channel	Channel 1743	Door	M25	1	
	Channel	Channel 768	Door	M26	2	

Picture	Description	Component	Location	Part No.	QTY	Check
	Brace	Brace 998	Door	U11	2	
	Channel	Channel 1508	Roof side wall	20A	4	
	Channel	Channel 1508	Rear wall	20B	1	
	Channel	Channel 1508	Rear wall	20C	1	
	Channel	Channel 1508	Front	20D	1	
	Channel	Channel 1508	Front	20E	1	
	Channel	Channel 1515	Side wall	25	2	
	Channel	Channel 775	Front	23	1	
	Channel	Channel 1458	Rear wall side wall	31	3	
	Channel	Channel 674	Front	33R	1	
	Jamb	Jamb 1798	Front	J3	1	
	Jamb	Jamb 1798	Front	J5	1	
	Jamb	Jamb 775	Front	42	1	
	Brace	Corner brace 1798	Corner	Z39	1	

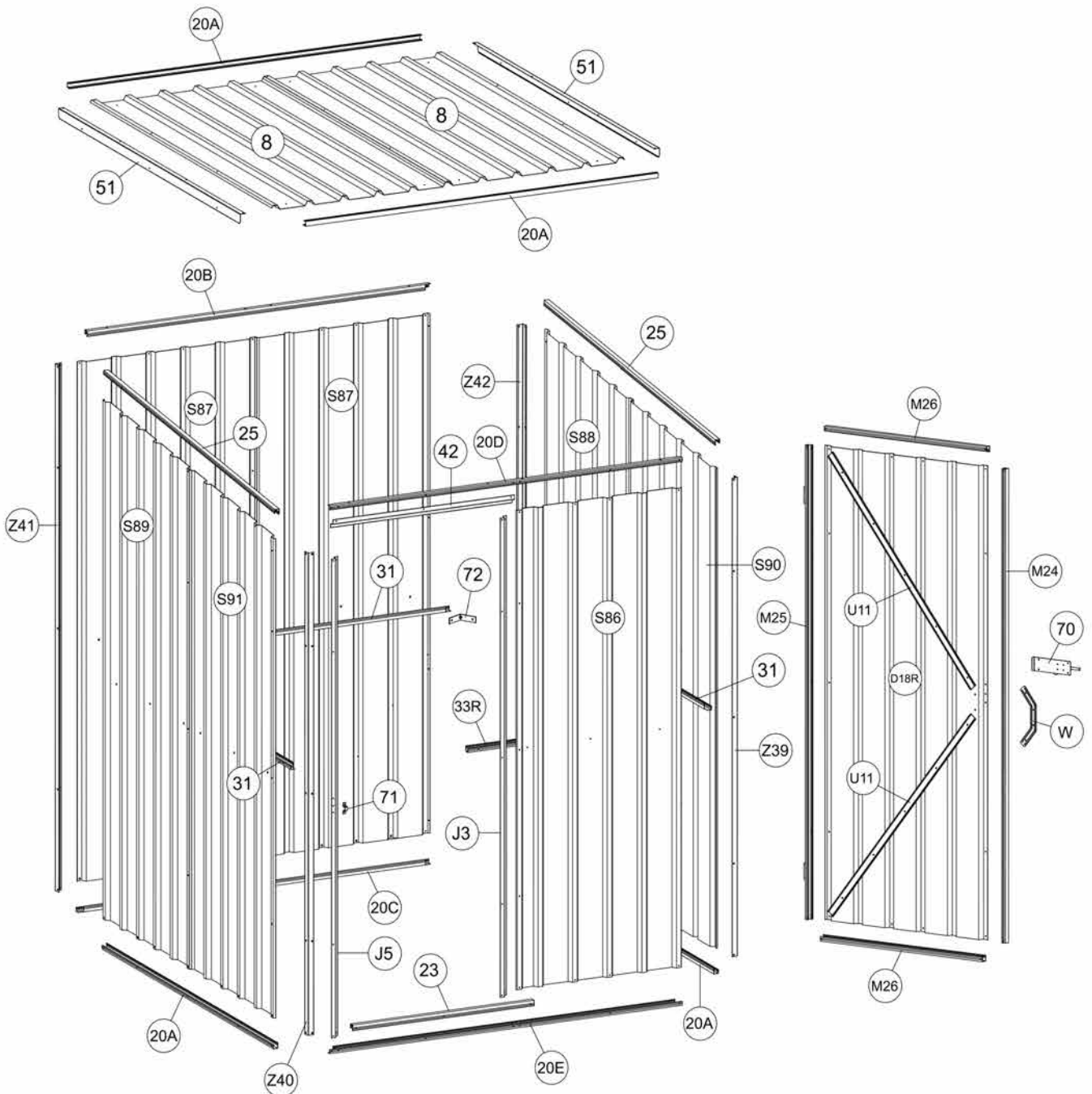
Picture	Description	Component	Location	Part No.	QTY	Check
	Brace	Corner brace 1798	Corner	Z40	1	
	Brace	Corner brace 1955	Corner	Z41	1	
	Brace	Corner brace 1955	Corner	Z42	1	
	Lip	Lip 1601	Roof	51	2	
	Joining brace	Joining brace	Door	W	1	

Fittings part list: All fittings in this list are located in box 2

Picture	Component	QTY	Picture	Component	QTY	√
	Self tapping screws (10mm)	150		Self tapping screws (16mm)	20	
	4 x 10mm Rivet	12		3 x 10mm Rivet	40	
	Pad bolt (part 70)	1		Keeper (part 71)	1	
	Bracket	8		5/16 x 19mm Hexagonal bolt	8	
	5/16 Hexagonal Nut	8		Mid wall brace bracket (part: 72)	3	
	Self tapper safety cover	25		Channel safety cover (L type)	1	
	Channel safety cover (R type)	1		Plastic stopper	4	

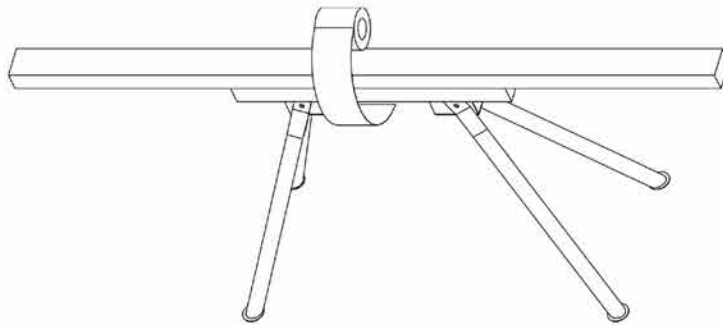
Picture	Component	QTY	Picture	Component	QTY	✓
	Sleeve anchor bolt	8				

Shed overview:



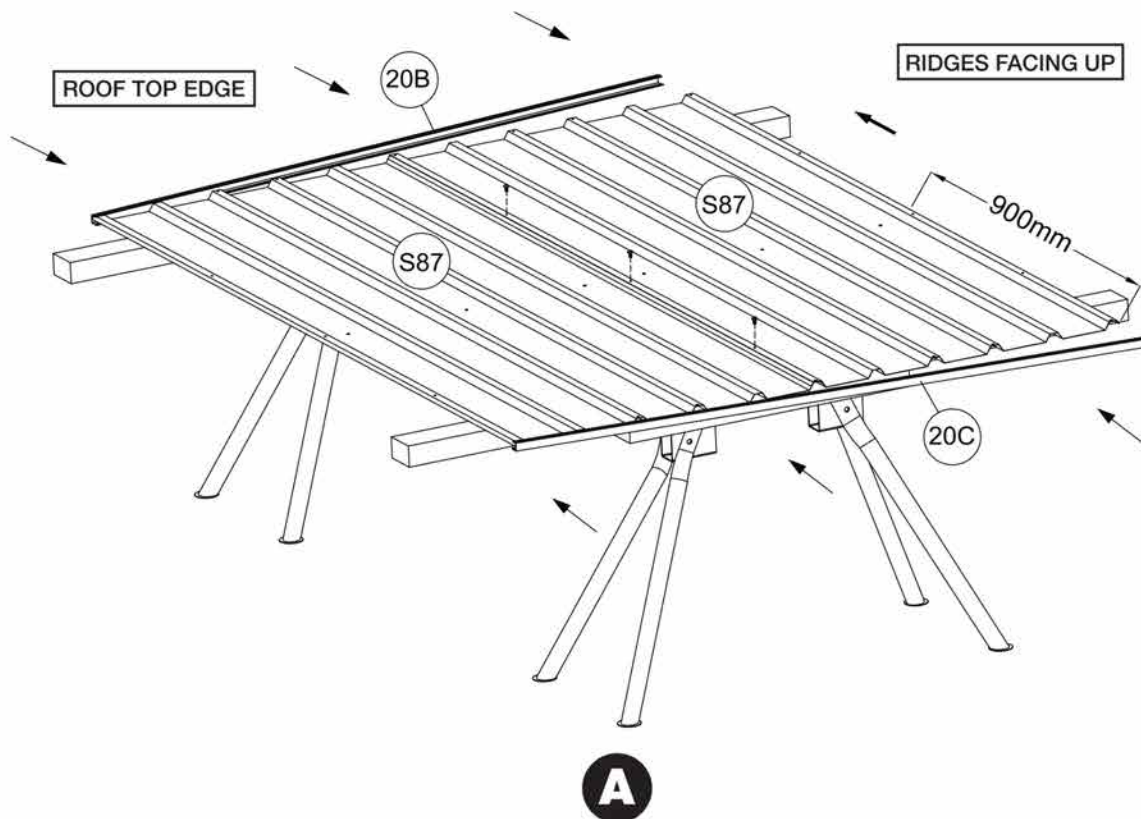
Step 2: Assemble the rear wall panels

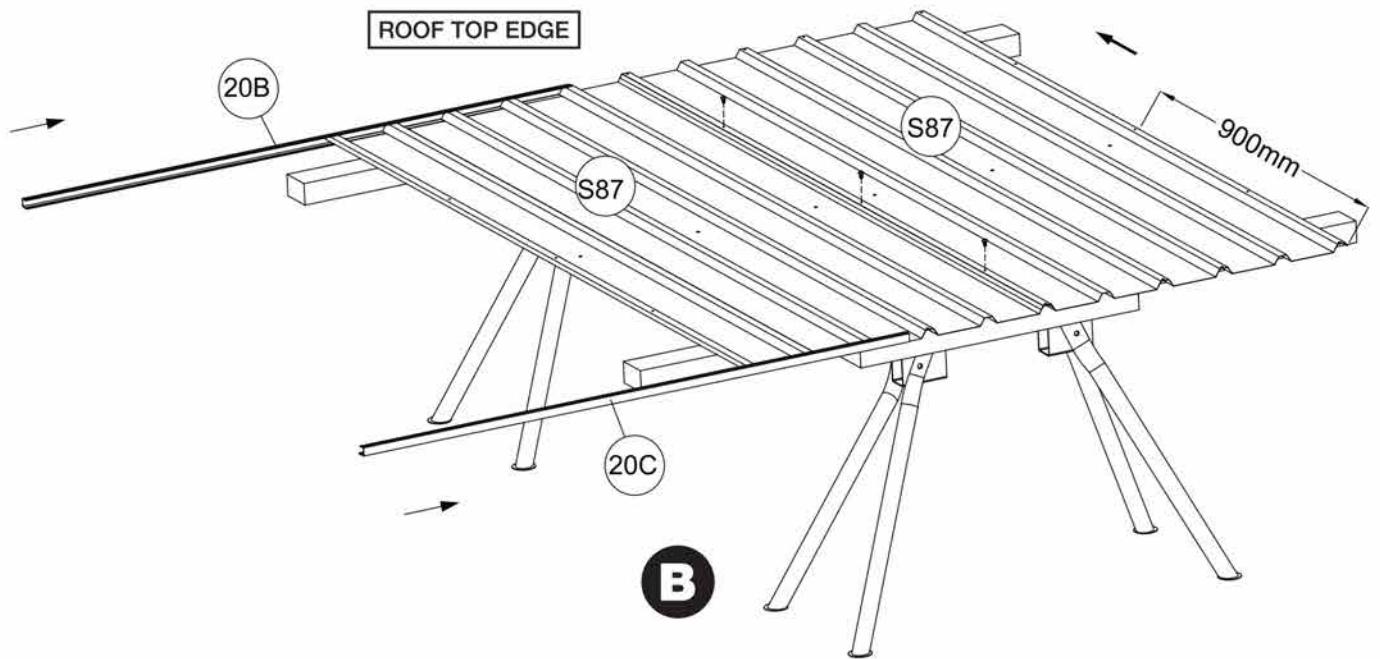
You will find it easier to assemble your shed using sawhorses with timber studs attached (timber needs to be the same length as the shed (1.5m)) or alternatively, a trestle table.



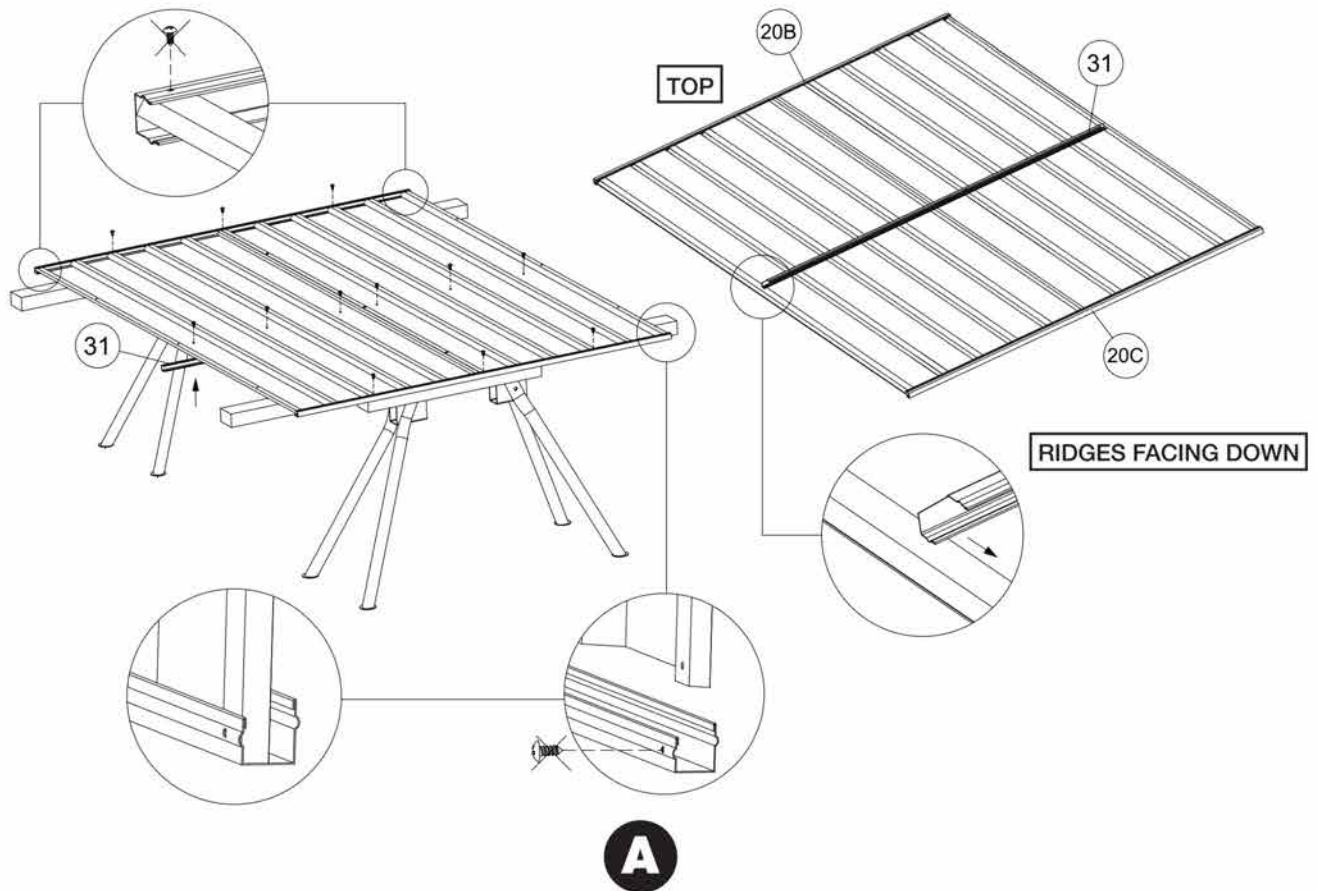
Place 2 x part S87 (sheet) on your worktable and join together with the self-tapping screws as per the diagram below.

Now fit part 20B (top channel) and part 20C (bottom channel) to the sheeting by tapping it in (diagram A) or sliding it in (diagram B). Make sure the small lip of the channel is always facing out. This ensures rainwater cannot build up inside your shed.





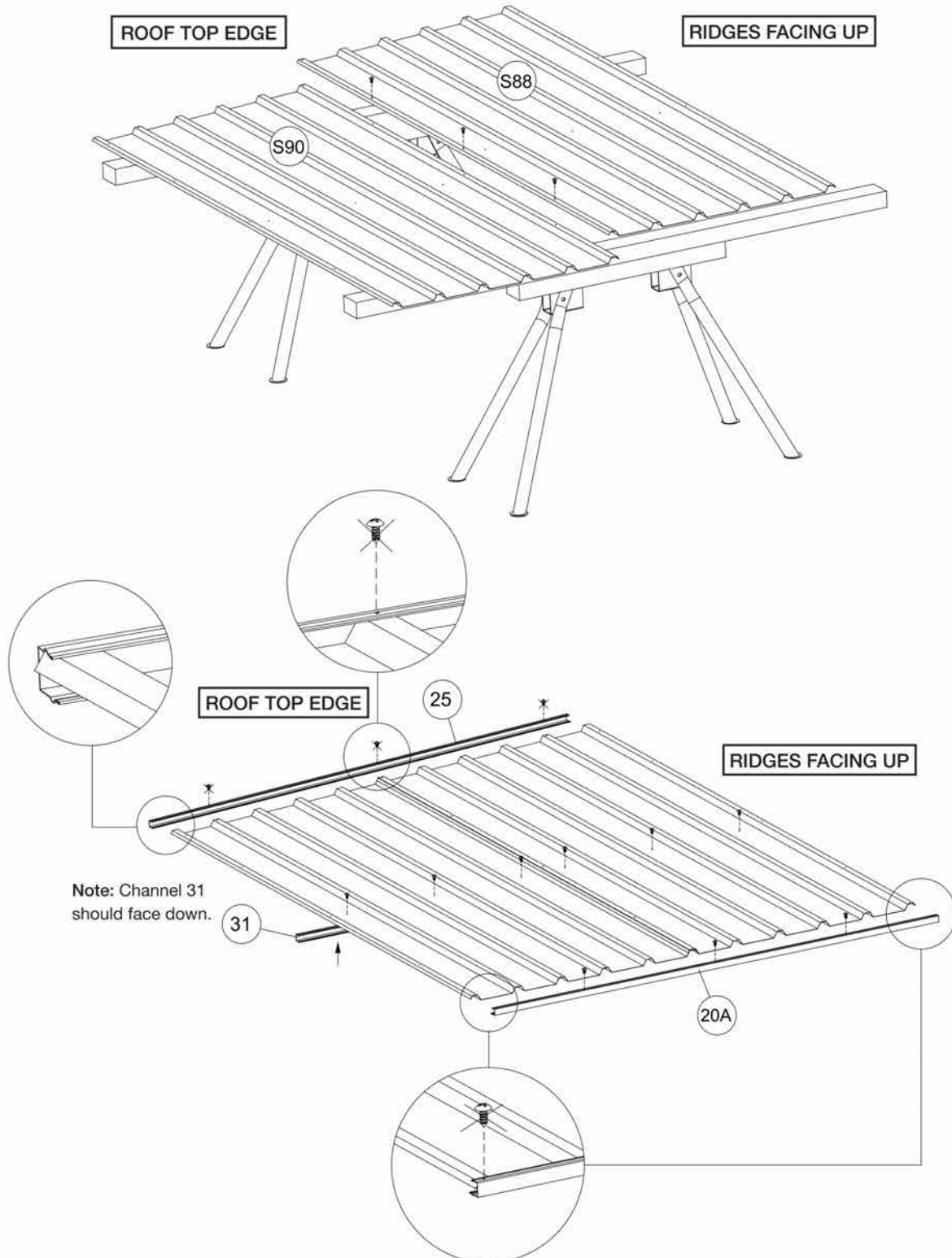
Now fit part 31 (mid wall channel) to the sheeting and position it with the self-tapping screws provided. Please note the groove should face downwards. Position the top and bottom channels with self-tapping screws as well. **NOTE:** All screws marked with a cross should not be fixed at this stage.



Tip: If panel and screw holes do not line up, try pulling panel to match up holes.

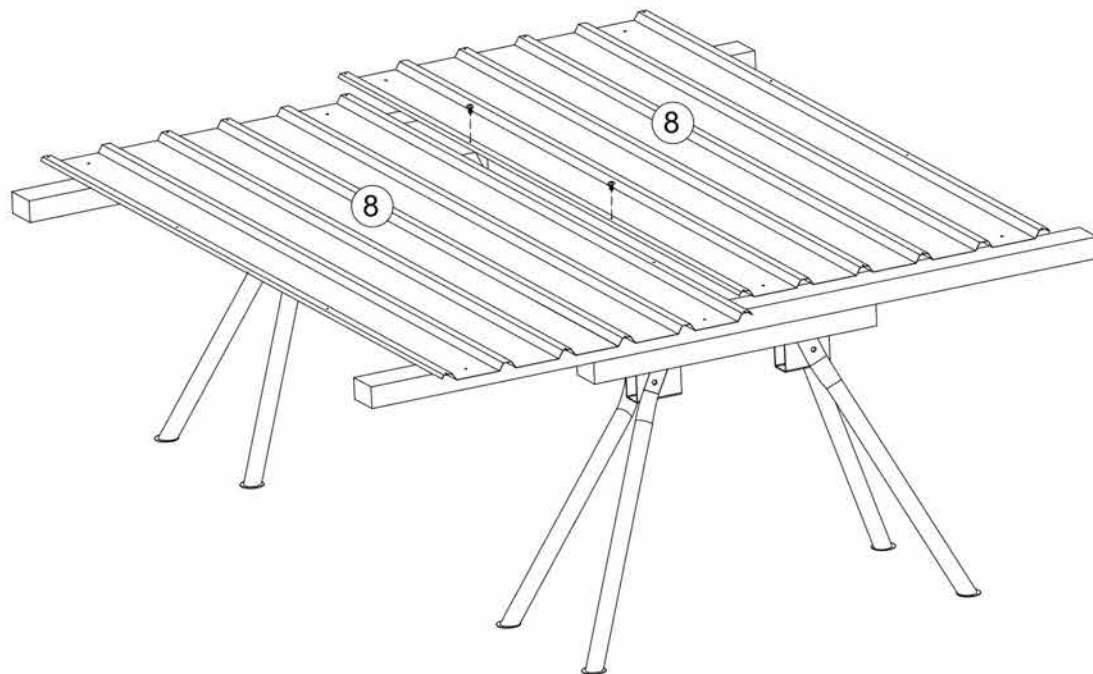
Step 3: Assemble the side wall panels

Place part S88 and S90 (sheets) on your worktable and tap or slide on part 25 (top channel) and part 20A (bottom channel). Position and fix part 31 (mid wall channel) using the self-tapping screws. Fix part 20A (bottom channel) with self-tapping screws but not part 25 (top channel) at this stage. Make sure that the small lip of the channels is always facing out. This ensures rainwater cannot build up inside your shed. Repeat the same steps for part S89 and part S91 (the other sidewall). **NOTE:** All screws marked with a cross should not be fixed at this stage.

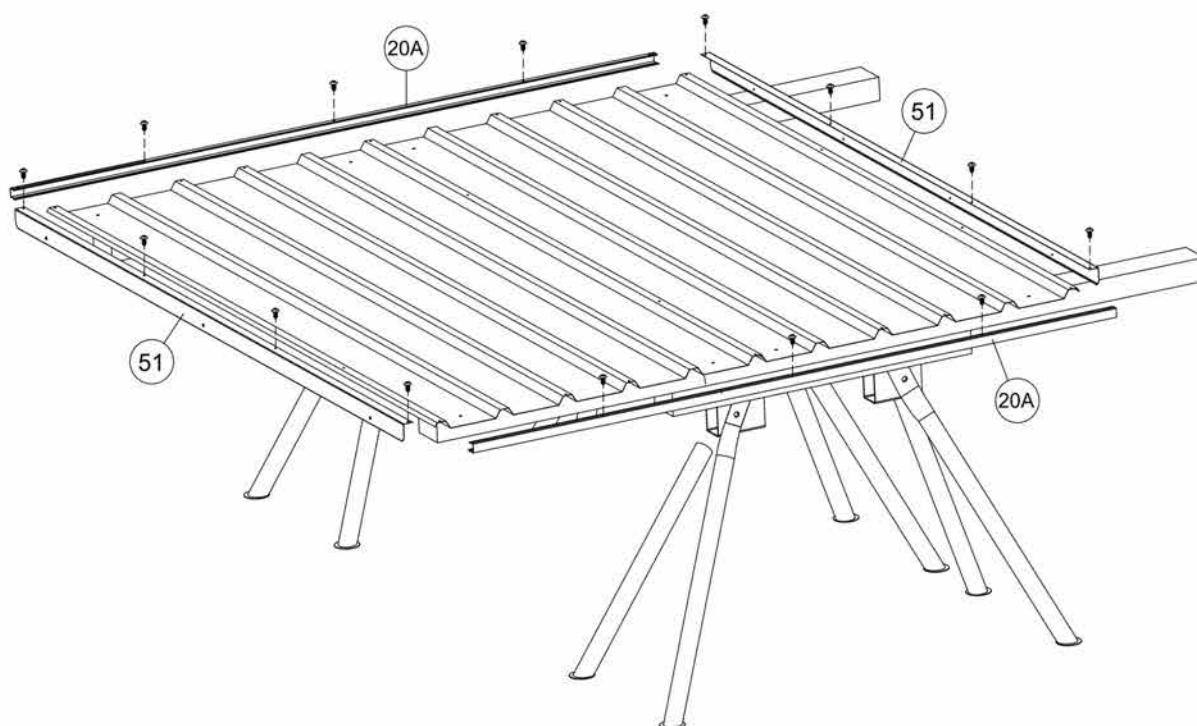


Step 4: Assemble the roof panel

Place 2 x part 8 (sheet) on your worktable and join together with the self-tapping screws provided as per the diagram below.

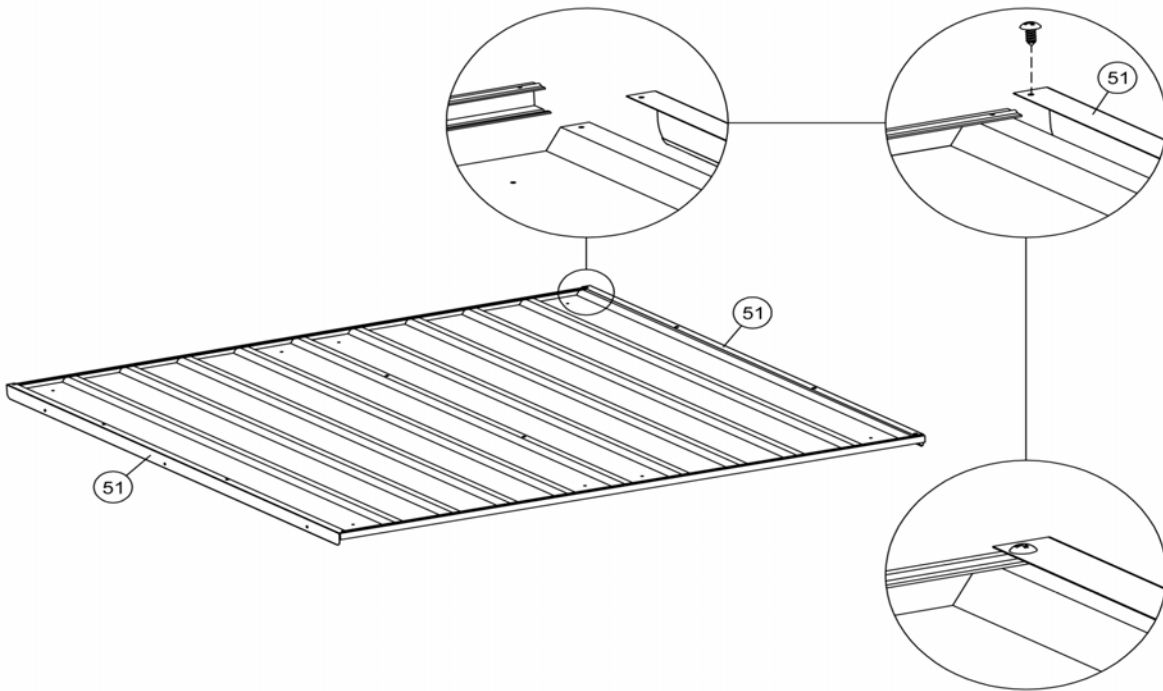


Now tap or slide in 2 x part 20A (channels) onto the sheeting and fix them to the top and bottom with the self-tapping screws provided. Make sure that the small lips on channels 20A are always facing out. This ensures rainwater cannot build up inside your shed.



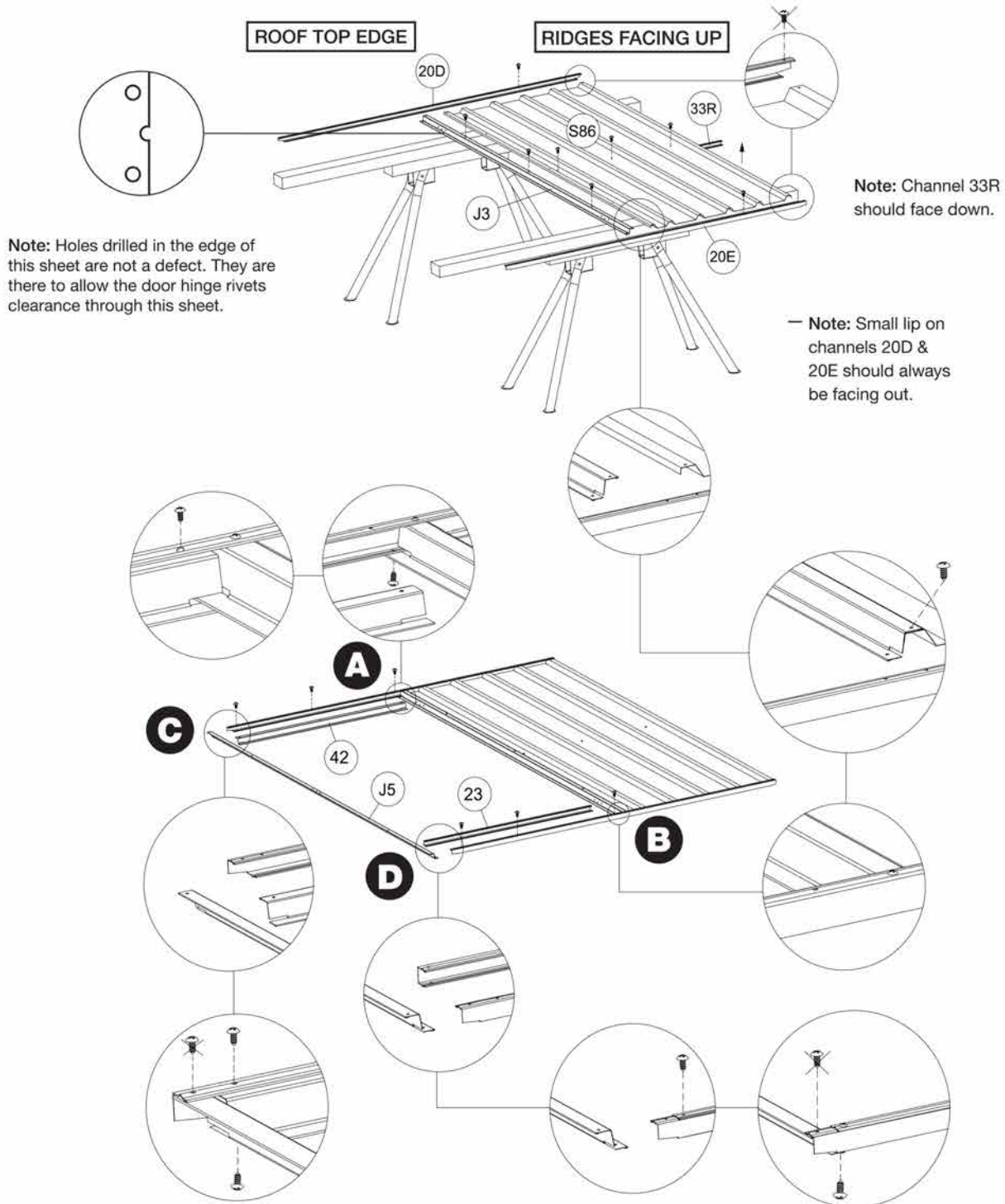
Step 4: Assemble the roof panel (continued)

Now fit 2 x part 51 (side lips) to the sheeting and fix them with the self-tapping screws provided.



Step 5: Assemble the front wall panel

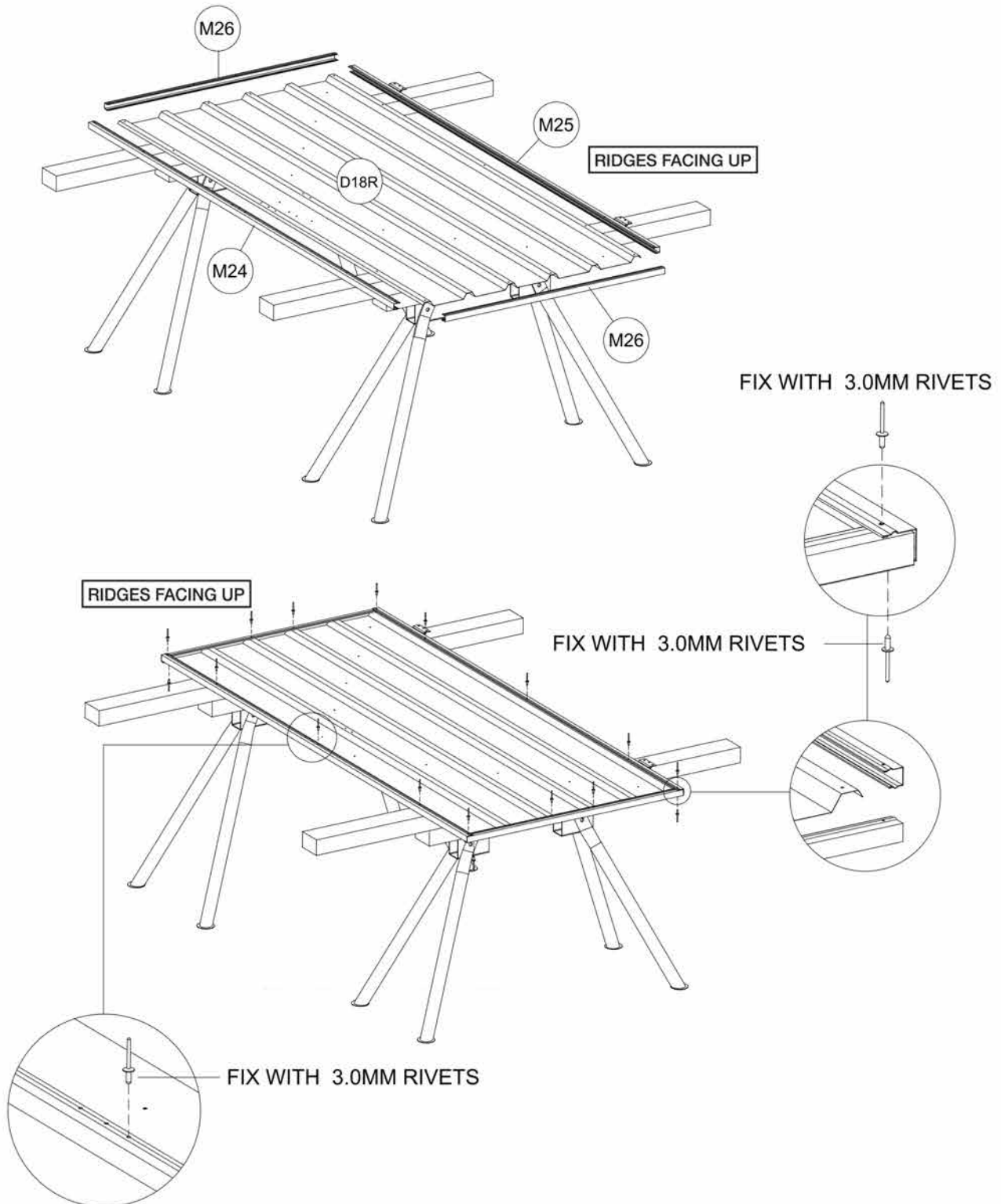
Place part S86 (sheet) on the worktable. Fit part 20D (top channel), part 20E (bottom channel) and part J3 (jamb) (There are pre-drilled holes for the next step on both parts S86 and J3 that must be aligned) and part 33R (mid wall channel) to the sheeting and fix them with the self-tapping screws. **NOTE:** All screws marked with a cross should not be fixed at this stage. Make sure that the small lips on channels 20D and 20E are always facing out. This ensures rainwater cannot build up inside your shed.



Fit part J5 (jamb), part 42 (jamb) and part 23 (bottom channel) and fix them with the self tapping screws (except those marked with a cross). Make sure both joins (diagrams A and B) are fixed the same followed by diagrams C and D.

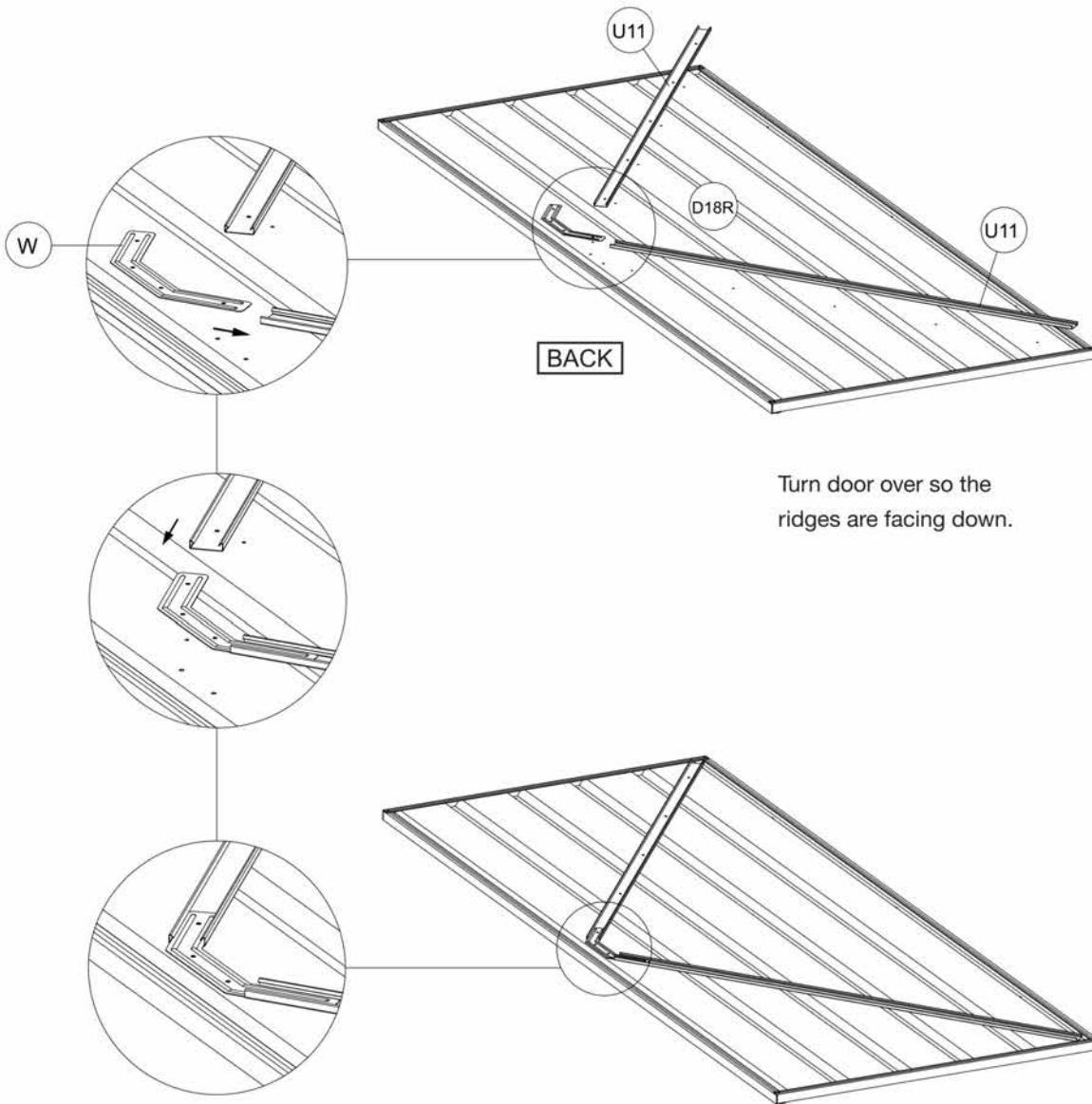
Step 6: Assemble the front door

Place part D18R (door sheet) on the worktable and fix 2 x part M26, part M24 and part M25 (channels) with the provided 3.0 x 10mm rivets. Make sure the small lips on channels M26 are always facing out. This ensures rainwater cannot build up inside your shed.



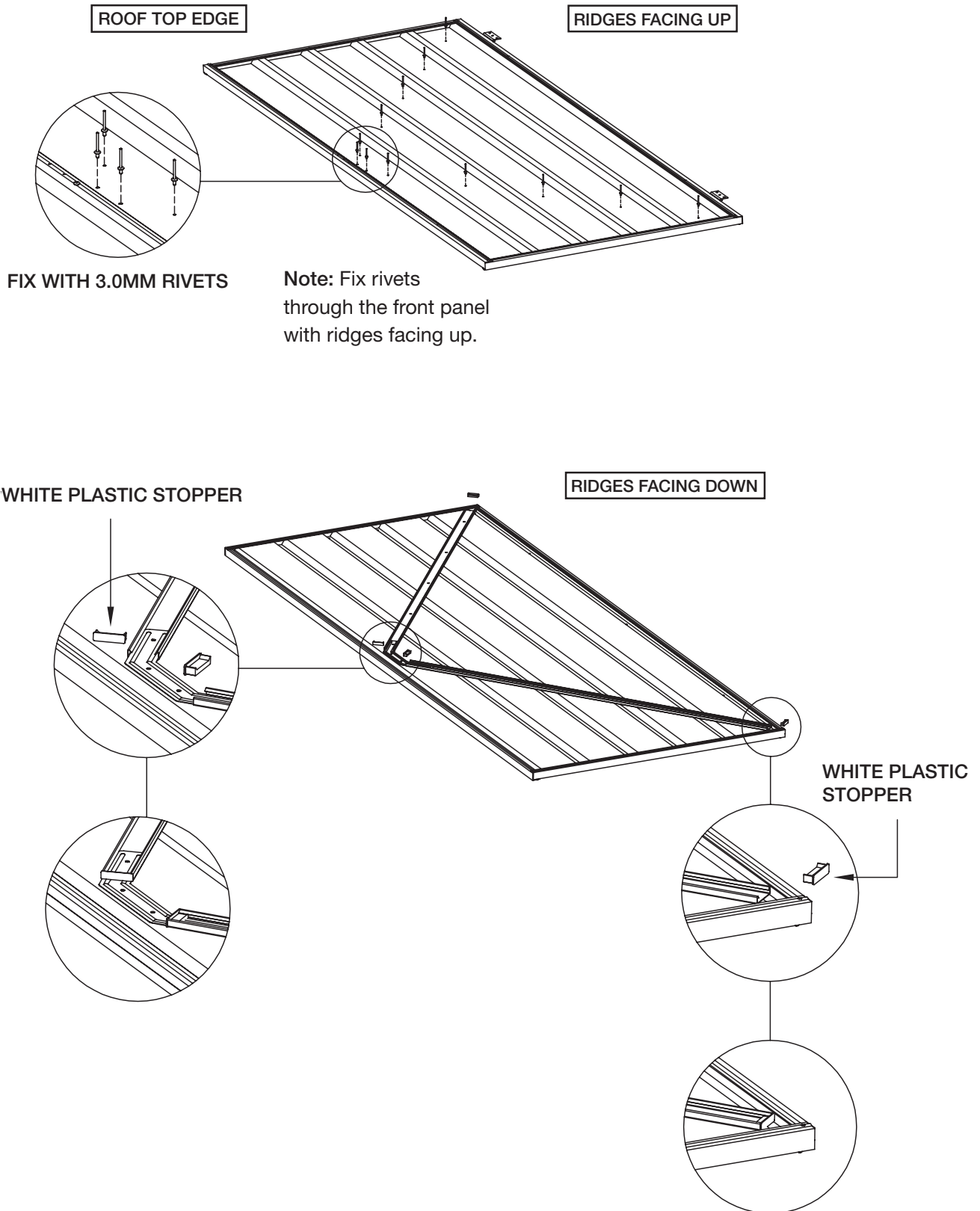
Step 6: Assemble the front door (continued)

Once channels are fitted to both doors, align 2 x part U11 (brace) and part W (joining brace) with holes on the back of the door and position temporarily with some tape or simply hold in place.



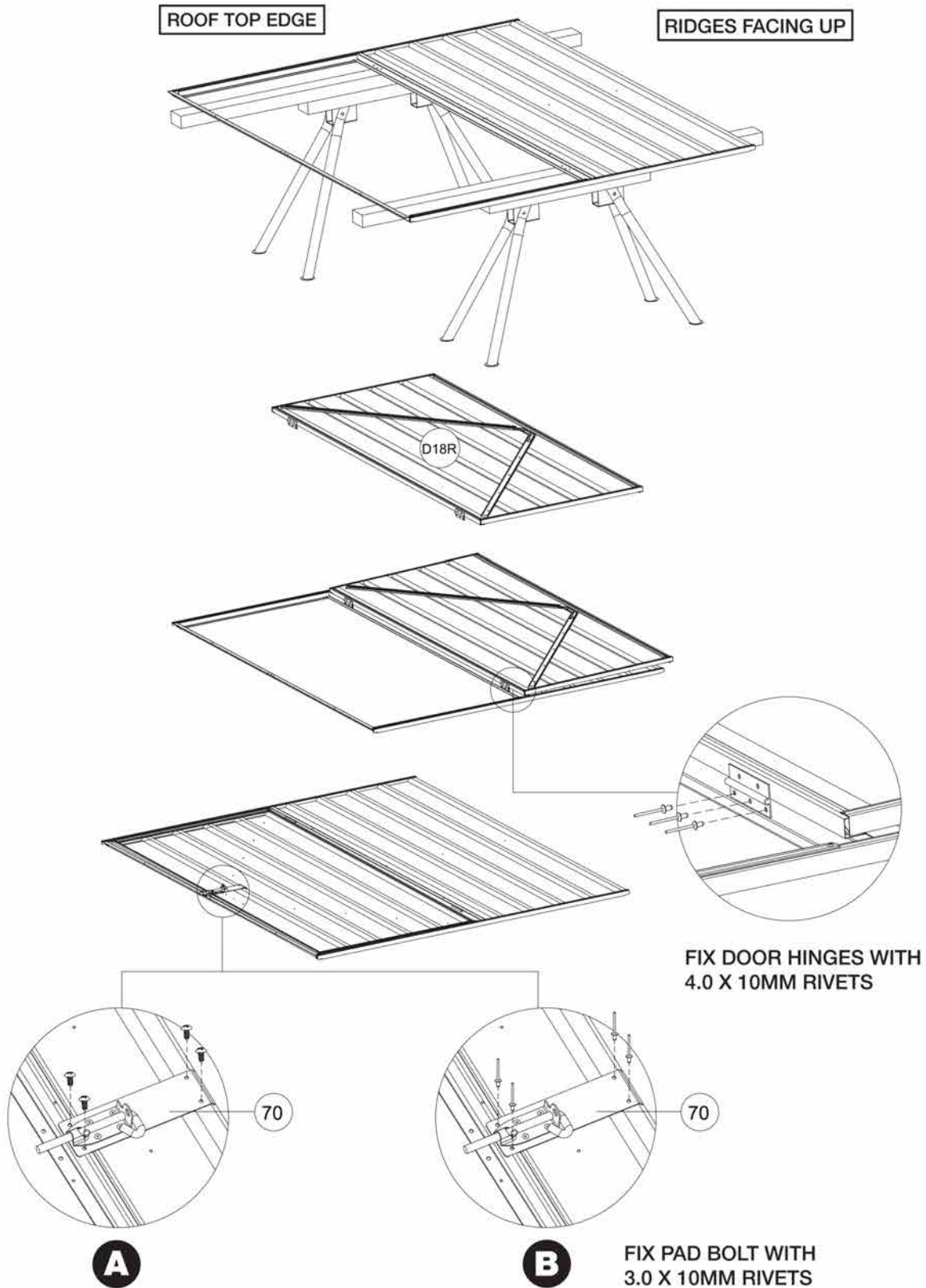
Step 6: Assemble the front door (continued)

Turn door over with bracing aligned with holes (make sure the ridges of the door are facing up) and fix the bracing with the provided 3.0 x 10mm rivets through the front of the panel. Then turn door over and insert plastic stoppers at the ends of braces as shown below.



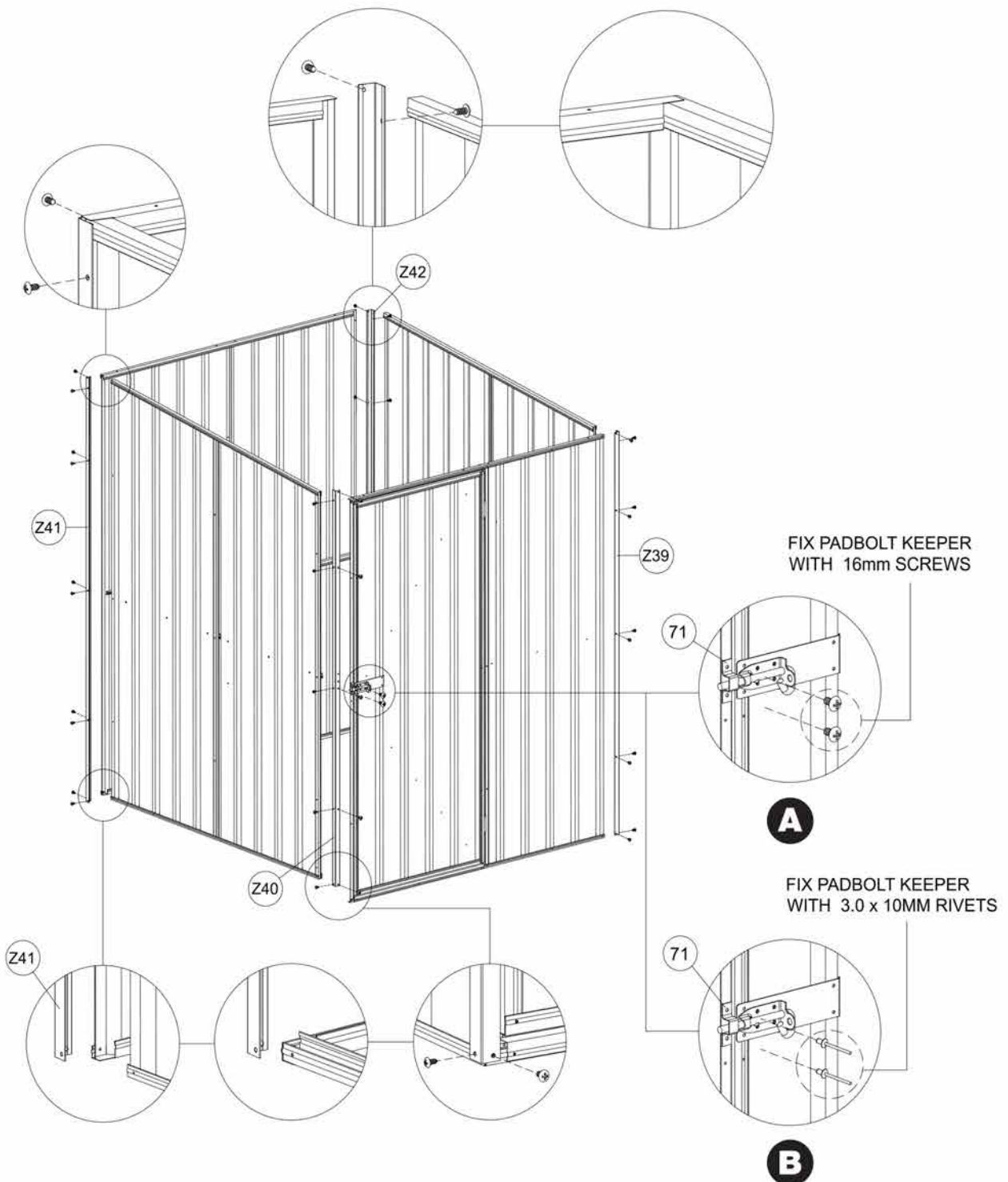
Step 6: Assemble the front door (continued)

Fit part D18R (assembled door) to the front wall panel as per the diagram below. Use a rivet gun to fix the door using the pre-drilled holes. Fix the pad bolt (but NOT its keeper at this stage) using the pre-drilled holes and the self-tapping screws (diagram A) or the rivets (diagram B) provided.

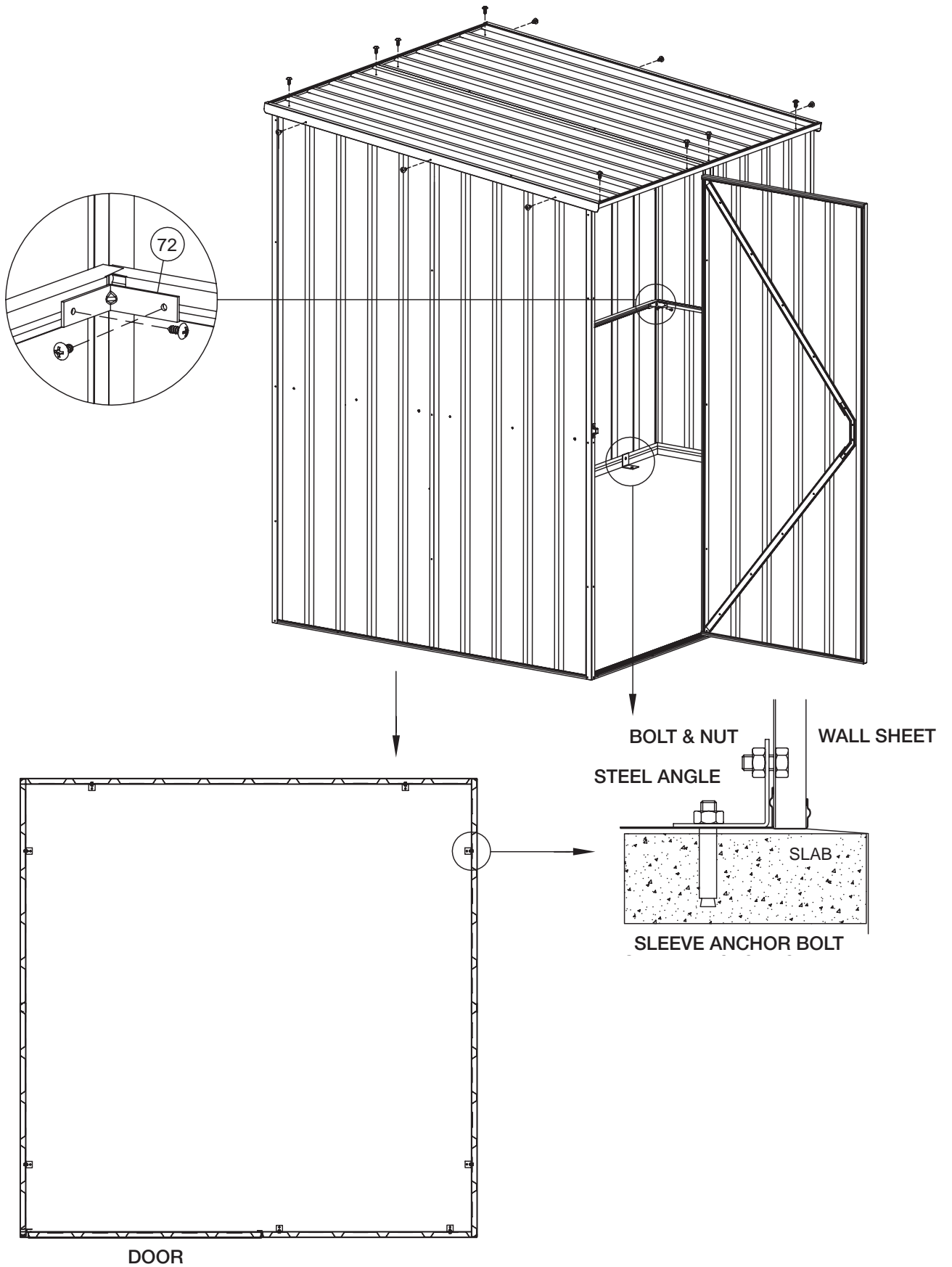


Step 7: Fit the panels together

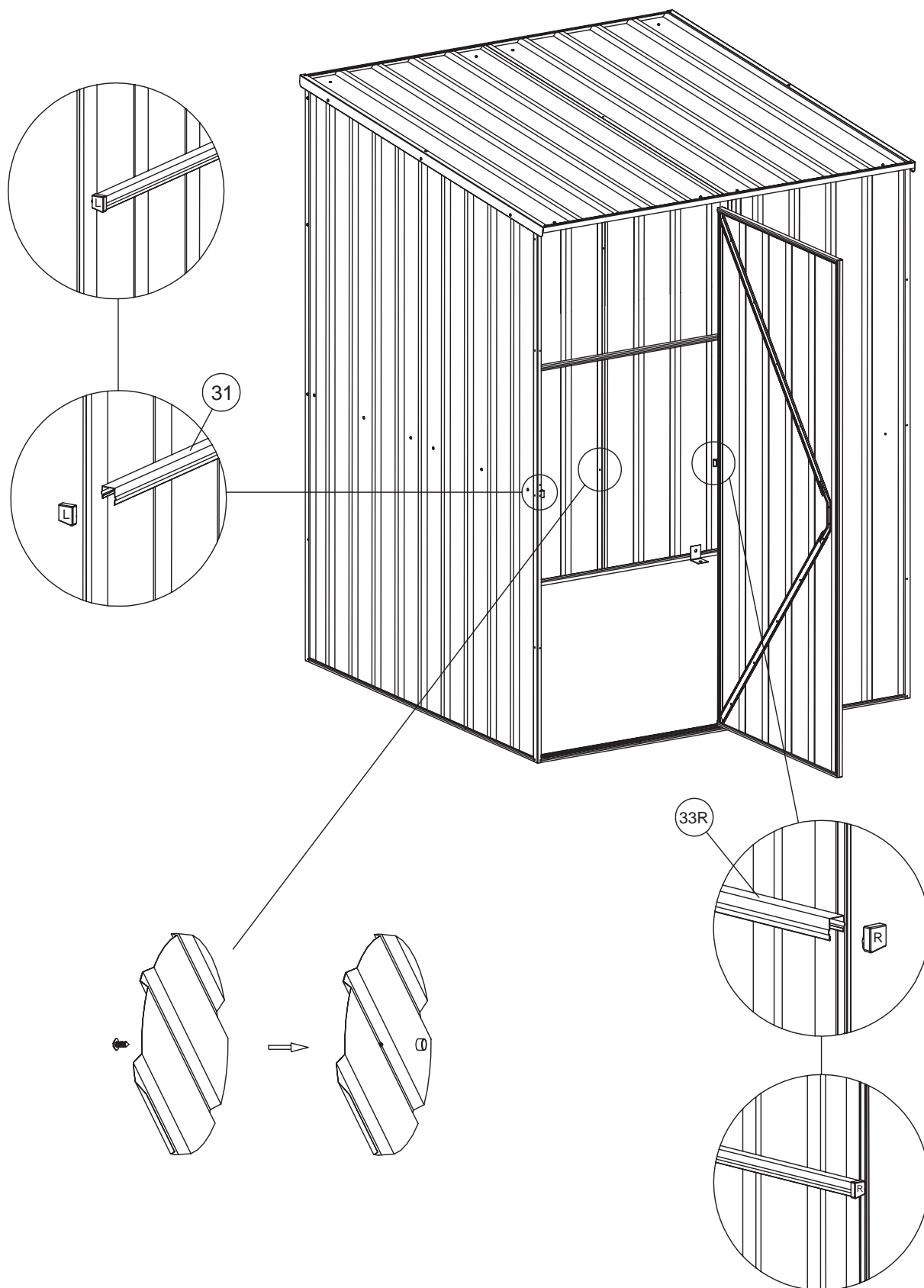
Attach the side walls to the back wall, then the front wall, then the roof. Fix all the components using self tapping screws. Fix part 71 (pad bolt keeper) using 16mm self-tapping screws (diagram A) or using rivets (diagram B) ensuring the keeper lines up with the pad bolt. Also attach parts Z39, Z40, Z41 and Z42 (Corner brace) to each corner using the self-tapping screws provided.



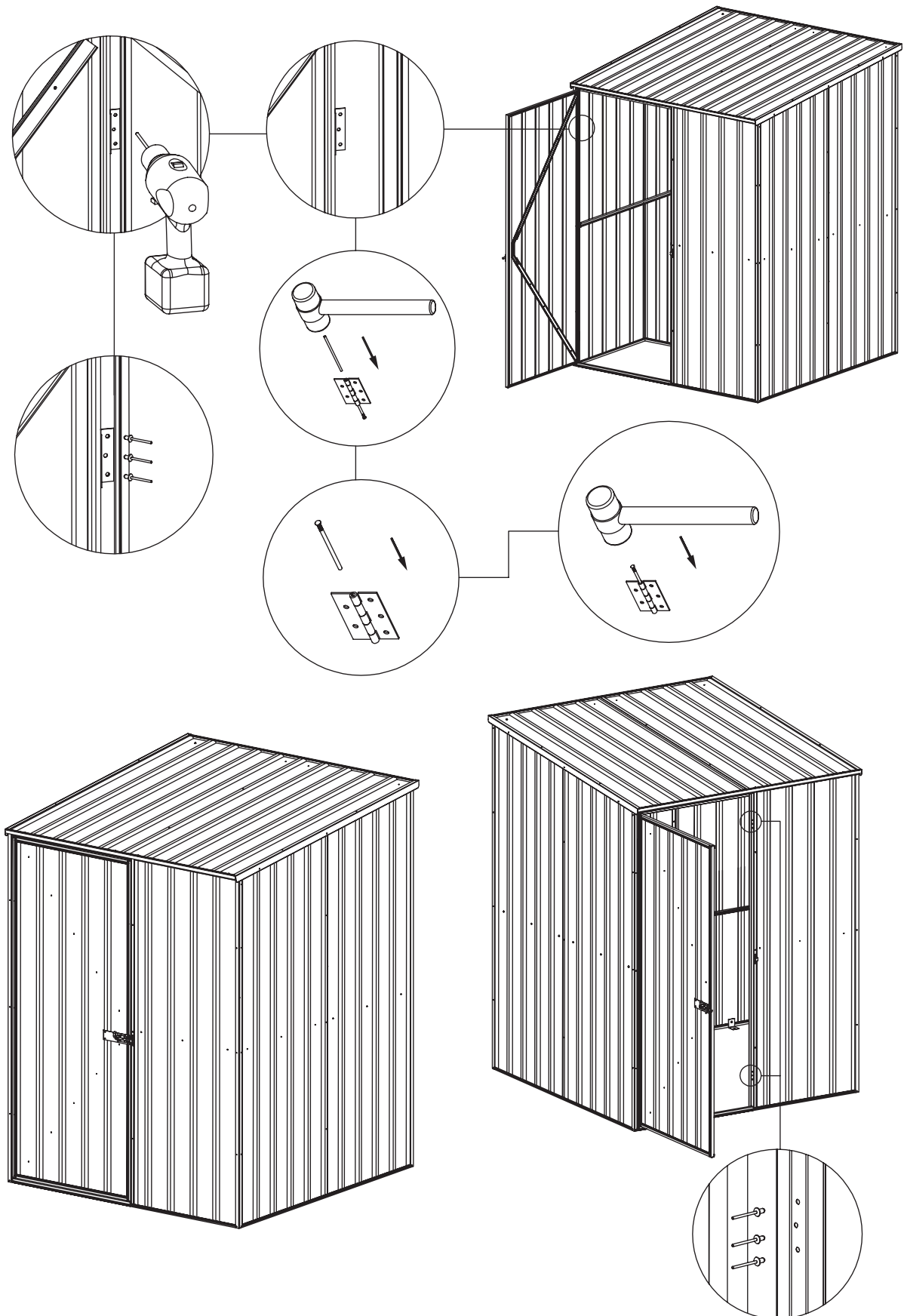
Now fit the bolt down kit as per the diagram. Strengthen the mid wall braces by applying part 72 (mid wall brace bracket) to each corner if necessary.



Apply channel safety cover (L type) to part 31 (channel) and channel safety cover (R type) to part 33R (channel). Also apply the self-tapper covers to screw ends visible in the walls on the inside of the shed as per the diagram below.



The door can be hinged on the opposite side as well. Align the door with the edge and make holes using a cordless drill. Remove the pins from the hinges and reverse their direction before you attach the door. If you are concerned about the visibility of any pre-drilled holes, you can fill them with rivets. Perform the same procedure for the pad bolt.



Environment Protection and Waste Protection and Electrical Equipment Regulations (WEEE)

Recycle unwanted packaging materials. When this product is no longer required, or has reached the end of its useful life, please dispose of it in an environmentally friendly way. Drain any fluids (if applicable) into approved containers, in accordance with local waste regulations. It is our policy to continually improve products and we reserve the right to alter data, specifications and parts without prior notice. No liability is accepted for incorrect use of this product. Guarantee is 12 months from purchase date, proof of which is required for any claim.

Note: It is our policy to continually improve products and as such we reserve the right to alter data, specifications and component parts without prior notice.

Important: No Liability is accepted for incorrect use of this product.

Warranty: Guarantee is 12 months from purchase date, proof of which is required for any claim.

Dellonda Limited

Kempson Way, Suffolk Business Park, Bury St Edmunds, Suffolk. IP32 7AR



01284 757575



support@dellonda.co.uk



www.dellonda.co.uk