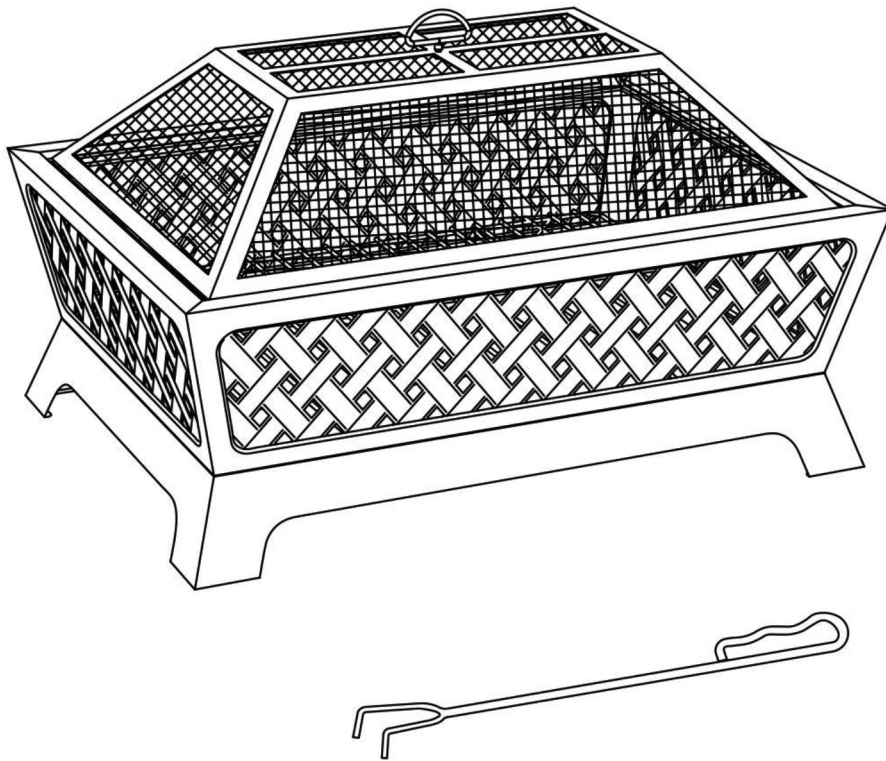




Dellonda Deluxe Rectangular Outdoor Fire Pit, Fireplace, Garden & Patio Heater



Model No. DG44

Thank you for purchasing a Dellonda product. Manufactured to a high standard, this product will, if used according to these instructions, and properly maintained, give you years of trouble free performance.

Important Information

Please read these instructions carefully. Note the safe operational requirements, warnings & cautions. Use the product correctly and with care for the purpose for which it is intended. Failure to do so may cause damage and/or personal injury and will invalidate the warranty. Keep these instructions safe for future use.



Refer to
instruction
manual



Wear
Gloves



Warning:
Hot
Surface

About the Product

Contemporary style rectangular fire pit is perfect for relaxing outdoors with family and friends. Manufactured from durable steel (1mm) with a bronzed finish. Includes mesh safety screen to prevent embers and sparks flying. Suitable for use with untreated wood and logs. Supplied with fire poker. Some simple assembly required.

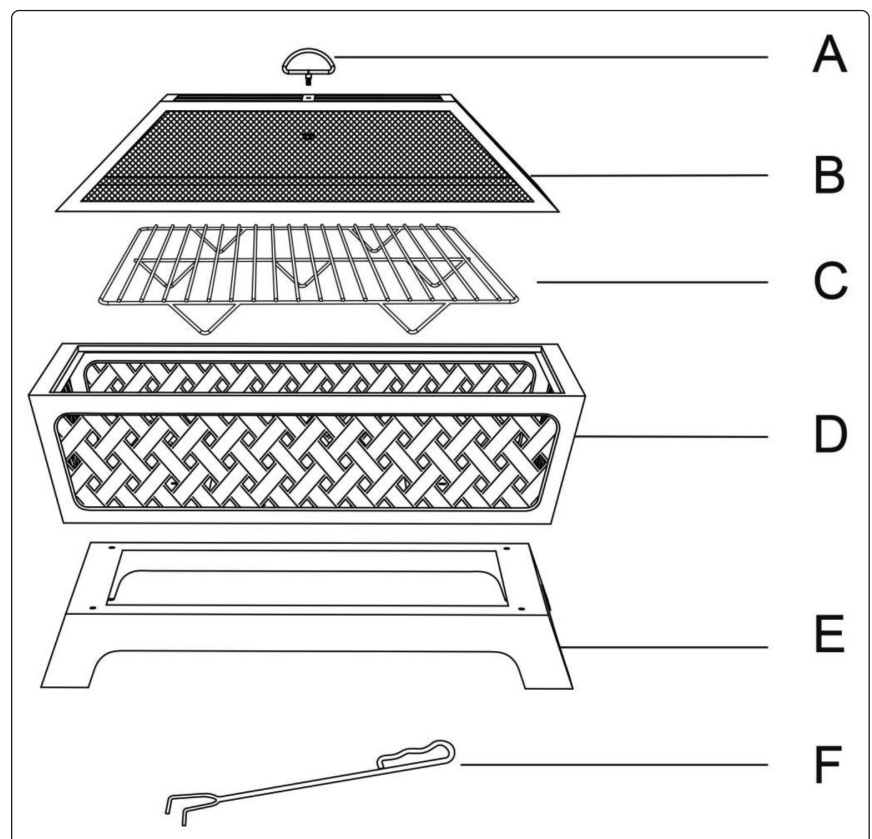
Safety Instructions

• GENERAL SAFETY

- **WARNING! The warnings, cautions and instructions in this manual cannot cover all possible conditions and situations that may occur. It must be understood by the operator that common sense and caution are factors which cannot be built into this product, but must be applied by the operator.**
- **WARNING! For outdoor use only, never burn in vehicles, tents or indoors.**
- Risk assess area where fire pit is to be used.
- **DO NOT** use the fire bowl to cook food, the fire bowl is not designed for grilling food.
- This fire bowl is intended to burn wood logs only. **Do not** use on wooden decks. **Do not** burn coal, leaves, or other combustible materials in the fire bowl.
- **Do not** use flammable liquids to start fires.
- Ensure that there is a garden hose nearby, in case of emergency.
- Consider neighbors, ensure that the smoke generated will not affect them.
- Add fuel gradually, a bit at a time.
- Keep away from combustible materials. Site away from fences, shrubs, trees, garden structures and buildings. A gusty day can make a fire burn more fiercely, causing it to flare up unexpectedly.
- Not for use by children. Keep children and pets away from the fire bowl.
- The fire bowl is hot. Use with caution. **Do not** touch the hot fire bowl with bare hands.
- Never leave the burning fire bowl unattended, and always extinguish the fire completely.
- **Do not** use fire bowl near flammable or combustible objects or materials.
- When the fire bowl is in use, the handle on the mesh screen can reach extreme temperatures that can cause serious injury to an unprotected hand. Use a poker or an appropriate heat resistant glove or pad when handling.
- The poker handle may become hot during and after use.
- Check local fire regulations and municipal by-laws for safe use.
- Check tightness of fixings periodically.
- Only use on level ground.
- **DO NOT** move the whilst lit.
- Keep children and pets away from the area.
- **WARNING!** Although we take every effort to ensure that the assembly process is as easy as possible, it is inherent with fabricated steel parts that corners and edges can cause cuts if improperly handled during assembly procedures.
- Be careful while handling any parts during assembly. It is strongly recommended that you protect hands with a pair of work gloves.

No.	Parts	Qty.
A	Handle	1
B	Safety Mesh Screen	1
C	Wood Grate	1
D	Fire Bowl	1
E	Base	1
F	Poker	1

No.	Hardware	Qty.
AA	M6 Nut	1
BB	M6 x 12 mm Bolt	4

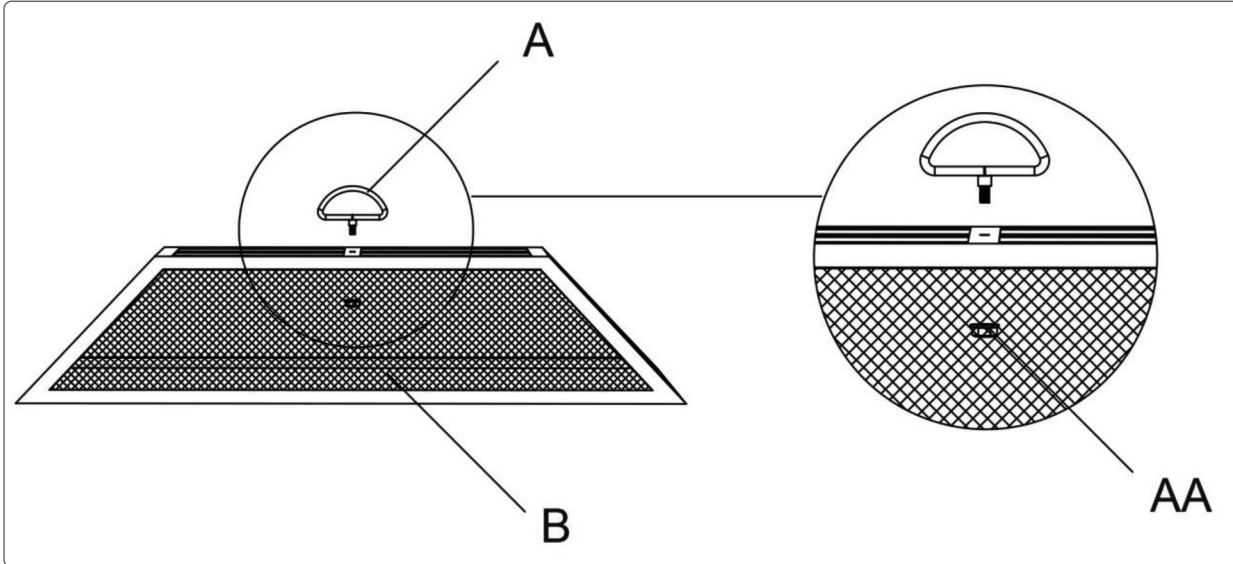


TOOLS REQUIRED (Not Included)

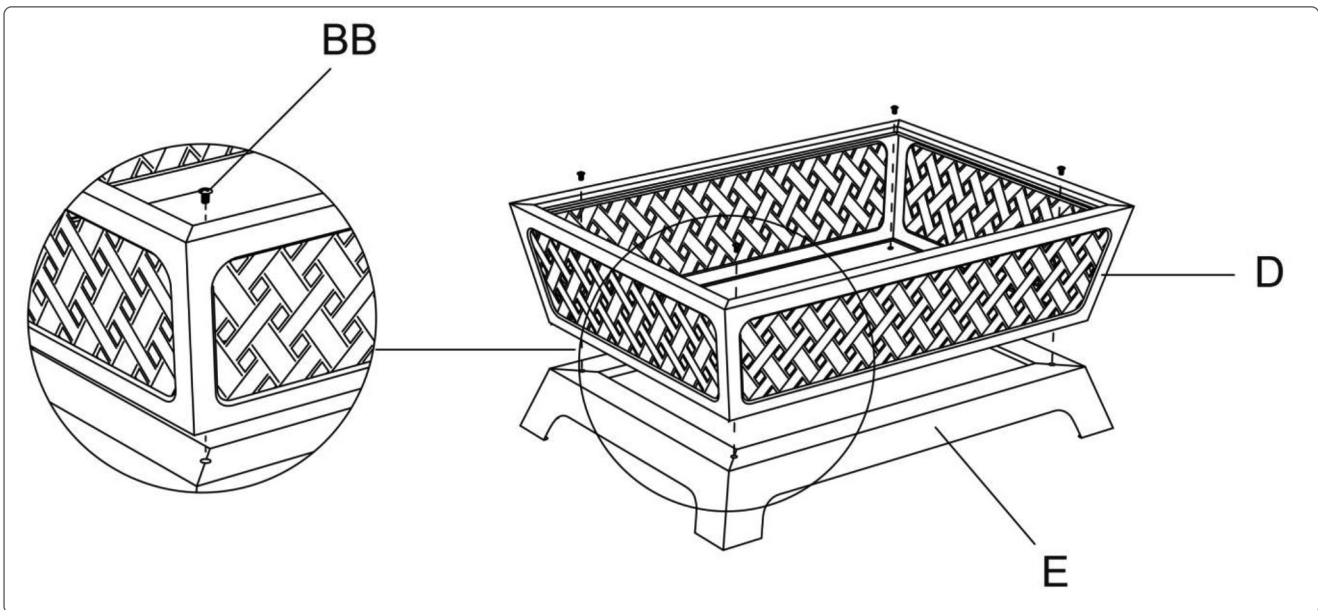


Assembly

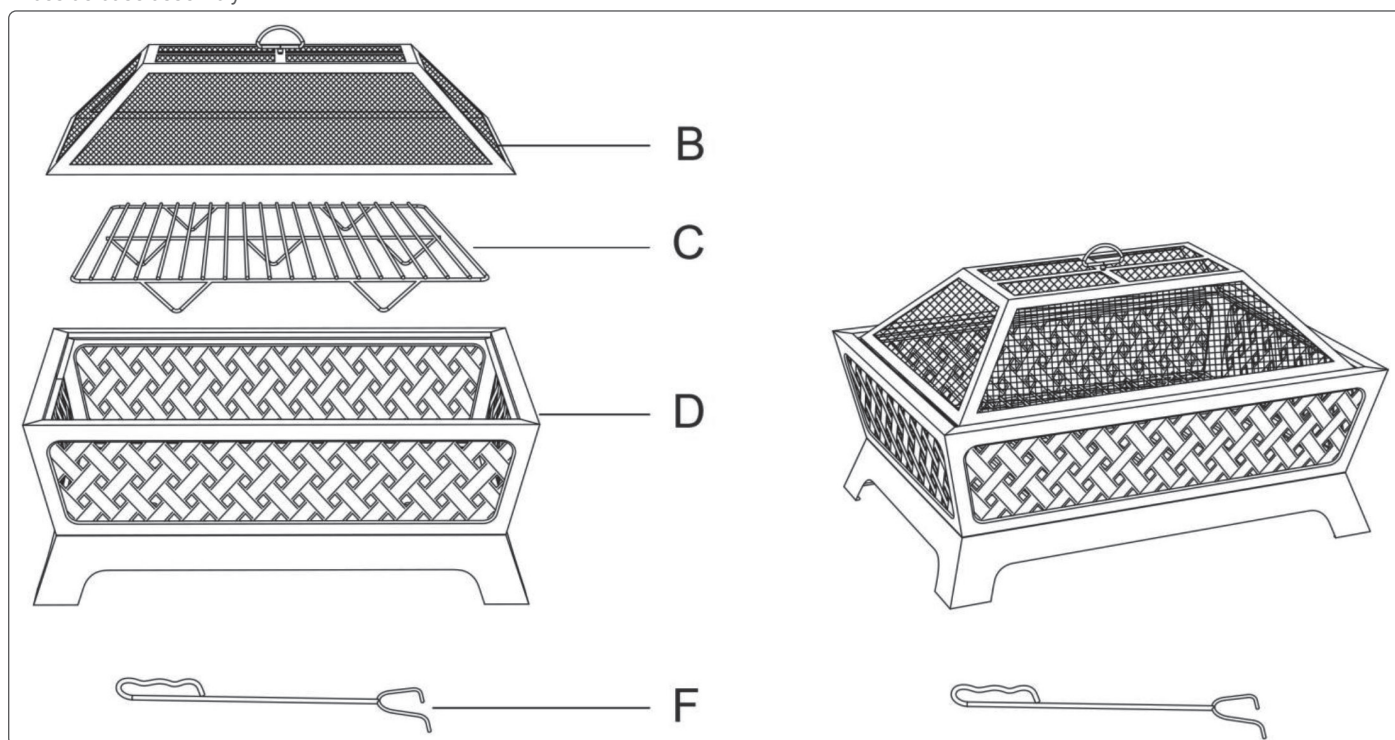
- **Step 1:** Insert Handle (A) into hole in Safety Mesh Screen (B) and tighten it with M6 Nut (AA) underside to secure.



- **Step 2:** Attach Fire Bowl (D) to the Base (E) by using M6 x 12 mm bolt (BB), tighten all the hardware at this time.



- **Step 3:** For fire pit use, put Wood Grate(C) into Fire Bowl (D), and then put Safety Mesh Screen (B) onto the Fire Bowl (D). Finally place Poker (F) beside base assembly.



Environment Protection and Waste Protection and Electrical Equipment Regulations (WEEE)



Recycle unwanted packaging materials. When this product is no longer required, or has reached the end of its useful life, please dispose of it in an environmentally friendly way. Drain any fluids (if applicable) into approved containers, in accordance with local waste regulations. Under the Waste Batteries and Accumulators Regulations 2009, Jack Sealey would like to inform the user that this product contains one or more batteries. It is our policy to continually improve products and we reserve the right to alter data, specifications and parts without prior notice. No liability is accepted for incorrect use of this product. Guarantee is 12 months from purchase date, proof of which is required for any claim.



Dellonda Limited

Kempson Way, Suffolk Business Park, Bury St Edmunds, Suffolk. IP32 7AR



01284 757575



support@dellonda.co.uk



www.dellonda.co.uk