



# DELLONDA FREESTANDING GAS OUTDOOR GARDEN PATIO HEATER COMMERCIAL DOMESTIC 13KW

MODEL NO: DG96, DG97

Thank you for purchasing a Dellonda product. Manufactured to a high standard, this product will, if used according to these instructions, and properly maintained, give you years of trouble free performance.

**IMPORTANT:** PLEASE READ THESE INSTRUCTIONS CAREFULLY. NOTE THE SAFE OPERATIONAL REQUIREMENTS, WARNINGS & CAUTIONS. USE THE PRODUCT CORRECTLY AND WITH CARE FOR THE PURPOSE FOR WHICH IT IS INTENDED. FAILURE TO DO SO MAY CAUSE DAMAGE AND/OR PERSONAL INJURY AND WILL INVALIDATE THE WARRANTY. KEEP THESE INSTRUCTIONS SAFE FOR FUTURE USE.



Refer to instruction manual



Wear protective gloves during assembly

## 1. SAFETY

- ✓ **Read the installation, operating and maintenance instructions thoroughly before installing or using this equipment.**
- ✓ If there is a smell of gas: shut off the gas to the appliance, extinguish any open flames. If odour continues contact gas supplier.
- ✗ **DO NOT** store or use petrol or other flammable substances inside the housing of the heater.
- ✗ **DO NOT** store or use petrol or other flammable liquids or gases in the vicinity of the heater.
- ✗ **DO NOT** store a gas cylinder that is not connected for use in the vicinity of this or any other appliance.
- ☐ **WARNING! DO NOT** use indoors. For use outdoors or in amply ventilated areas.  
An amply ventilated area is one that has a minimum of 25% of the surface area open, see fig.1.  
(The surface area is the sum of the wall surface.)
- ☐ **WARNING!** Not intended to be installed in recreational vehicles and/or boats.
- ☐ **WARNING!** Improper installation, adjustment, alteration, service or maintenance can cause injury or property damage.
- ✓ Installation and repair must be carried out by a qualified person.
- ✗ **DO NOT** attempt to alter in any way.
- ✓ This product must be installed and the gas cylinder stored in accordance with the local regulations in force.
- ✗ **DO NOT** obstruct the ventilation holes of the cylinder housing.
- ✗ **DO NOT** move/transport the appliance when in operation. Shut off the gas cylinder or the regulator before moving.
- ✗ **DO NOT** move/transport the heater until it has cooled down.
- ✓ Use only the type of gas and the type of cylinder specified by the manufacturer.  
The LP cylinder used with the patio heater must meet the following size requirements:  
diameter 31.8cm x height 58cm, 15kg maximum capacity.
- ✓ Protect the product from strong wind to prevent tilting.
- ✓ Only use on level ground capable of withstanding the weight of the heater.
- ✗ **DO NOT** remove the injector (it is not removable). It is forbidden to convert the appliance from one gas pressure to another gas pressure.
- ✗ **DO NOT** connect the gas cylinder directly to the appliance without a regulator. Use only the type of gas specified in the instructions.
- ✓ The whole gas system (hose, regulator, pilot or burner) should be inspected for leaks or damage before use and at least annually, by a suitably qualified person.
- ✓ All leak testing should be done with a soap solution. Never use an open flame to check for leaks, refer to section 6.2.
- ✗ **DO NOT** use the heater until all connections have been leak tested.
- ✓ Turn off the gas immediately if a gas smell is detected. Turn cylinder valve OFF. If the leak is at the hose/regulator connection tighten the connection and perform another leak test. If bubbles continue appearing contact your supplier. If the leak is at the regulator/cylinder connection disconnect from cylinder, reconnect and perform another leak check. If soap bubbles are still seen, cylinder valve is defective. Return cylinder to its place of purchase.
- ✓ Keep the ventilation opening of the cylinder enclosure free and clear of debris.
- ✗ **DO NOT** paint the radiant screen, control panel or top canopy reflector.
- ✓ Control compartment, burner and circulation air passageways of the heater must be kept clean.
- ✓ Turn off gas whilst not in use.
- ✓ LP regulator/hose assembly must be protected from accidental damage.
- ✓ Any guard removed for servicing/maintenance must be replaced before operation.
- ✓ Keeps adults and children away from the high temperature surface to avoid burns or ignition of clothing.
- ✓ Children should be carefully supervised when in the vicinity of the heater.
- ✗ **DO NOT** hang clothing or other flammable materials on the heater or place them near the heater.

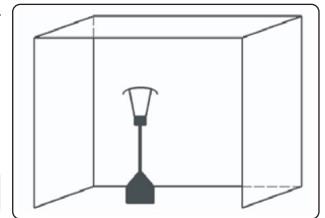


fig.1

## 2. INTRODUCTION

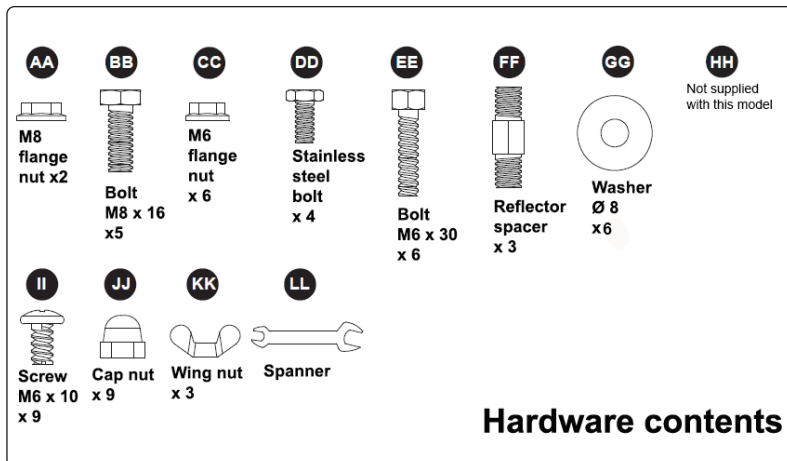
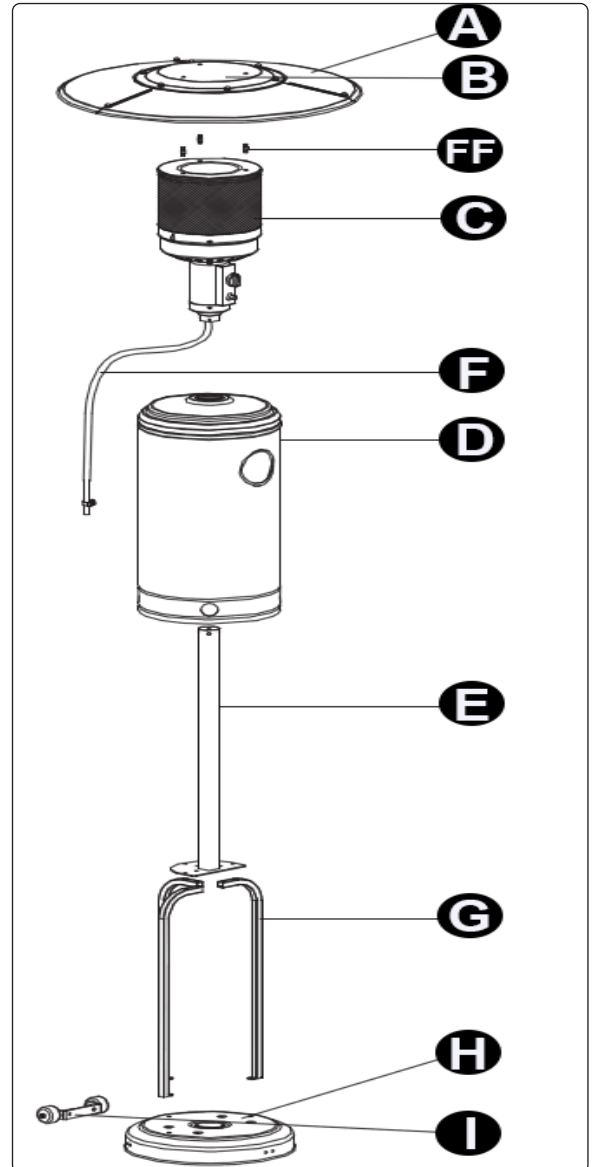
Innovative design of Radiant Gas Tower Patio Heater. This traditional freestanding patio heater produces a pleasant, heated working/relaxing environment and is ideal for both commercial and domestic settings including open workshops, boat yards, patios, forecourts, gardens and terraces. The burner head is positioned approximately 2.1m off the ground and the metal reflector directs radiation downwards and outwards. Variable heat output controls make it fully adjustable. The unit features a fully enclosed gas cylinder chamber and safety tip-over switch. Supplied with wheels for easy manoeuvrability, regulator and hose assembly for use with propane patio gas bottles and is available in black or stainless steel. This product should only be used in a well ventilated area. Maximum Gas Bottle Size (W x H): Ø325 x 700mm. Some assembly is required.

### 3. SPECIFICATION

Model no's.....DG96, DG97  
 Fuel consumption.....945g/hr  
 Fuel.....Propane  
 Heated area.....10m<sup>2</sup>  
 Output.....13kW  
 Dimensions (W x H).....850 x 2190mm  
 Max. gas bottle size (W x H).....Ø325 x 700mm

### 4. CONTENTS

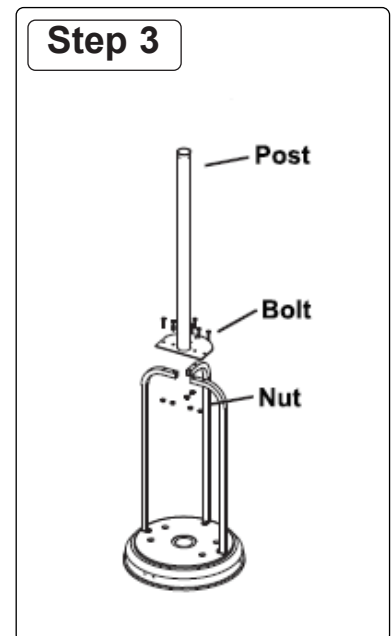
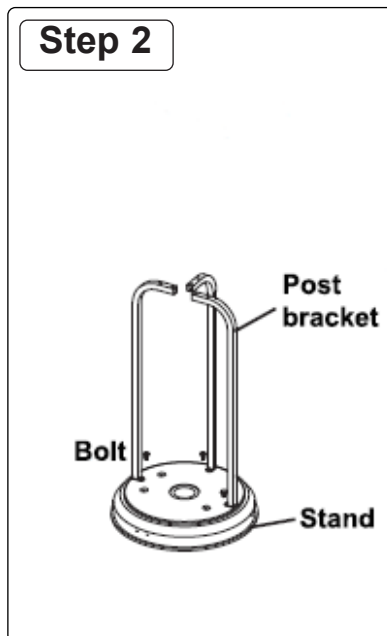
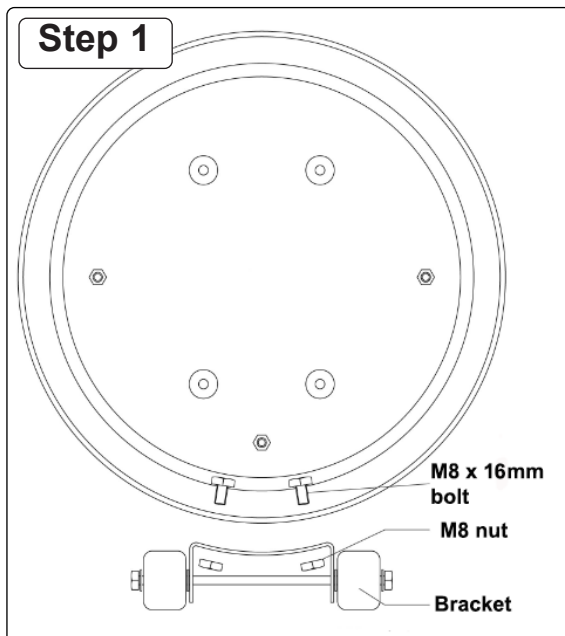
PART	DESCRIPTION	QTY.
A	Reflector outer	3
B	Reflector inner	1
C	Burner head assembly	1
D	Cylinder housing	1
E	Main pole	1
F	Gas hose	1
FF	Reflector spacer	3
G	Support leg	3
H	Base	1
I	Wheel kit	1



### 5. ASSEMBLY

#### 5.1. STEP 1

5.1.1. Fix wheel bracket to base.



#### 5.2. STEP 2

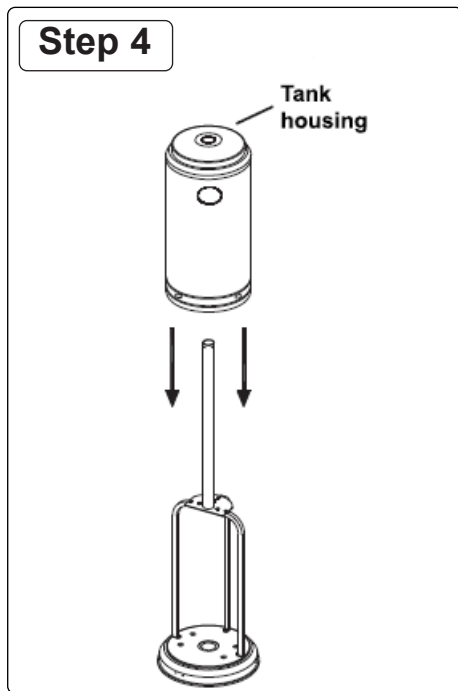
5.2.1. Fix the 3 post brackets as shown. Use bolt BB to join post brackets to the stand.

#### 5.3. STEP 3

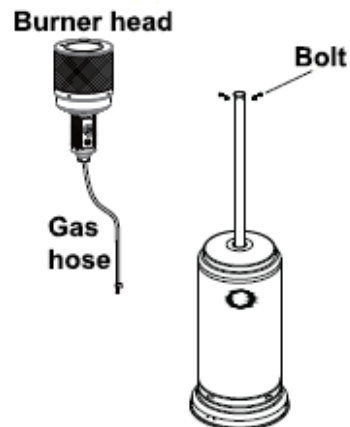
5.3.1. Fix the post to the 3 post brackets. Use bolts EE and nuts CC. Tighten nuts and bolts.

#### 5.4. STEP 4

5.4.1. Place the tank housing over the post.



#### Step 5



#### Step 6



#### 5.5. STEP 5

5.5.1. Remove four bolts from the base of the burner.

5.5.2. Pass the gas hose down through the post.

5.5.3. Fix the burner to the post, use bolt DD. Tighten nuts and bolts.

#### 5.6. STEP 6

5.6.1. Place large washers GG on the 3 reflector spacers FF.

#### 5.7. STEP 7

5.7.1. Fix the reflector onto the reflector spacers use 3 x wing nut KK.

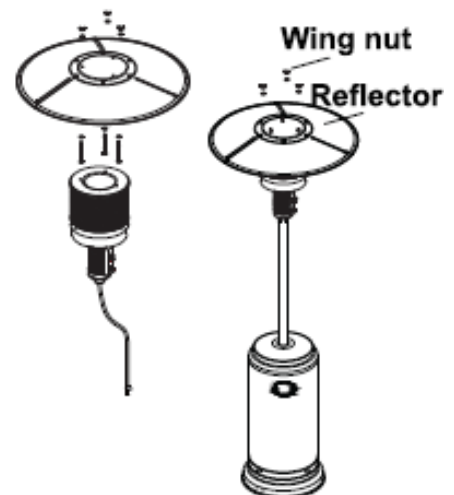
#### 5.8. STEP 8

5.8.1. Raise the tank housing and rest it on the post plate. Be aware that it may fall if it is knocked.

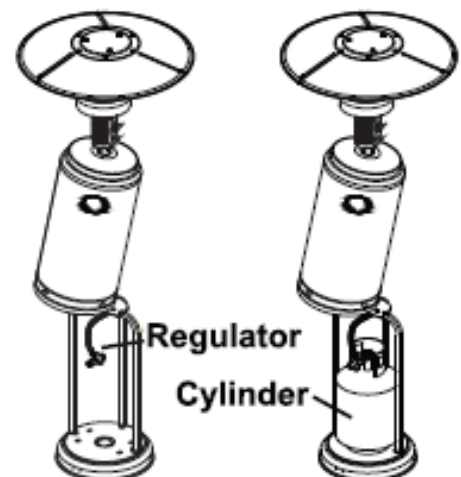
5.8.2. Connect the gas hose to the regulator.

5.8.3. Place the LPG cylinder on the stand.

#### Step 7



#### Step 8



## 6. OPERATION

### 6.1. CONNECT GAS CYLINDER

6.1.1. Change the gas cylinder in a well ventilated area, away from any source of ignition.

6.1.2. Lift the tank housing and prop it up on the top of the post brackets.

**NOTE:** In this instance the housing can not be propped up on the top of the post brackets. A second person will be required to hold the tank housing up while the gas cylinder is fitted.

6.1.3. Check the regulator seal is correctly fitted and working correctly, see fig.2.

6.1.4. Use propane or butane only.

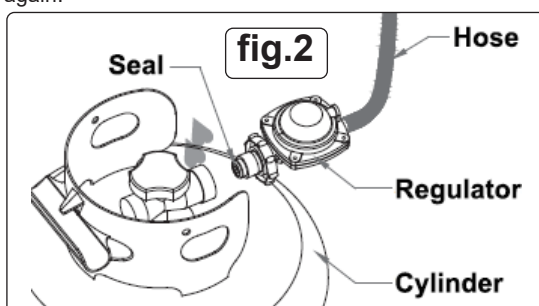
6.1.5. Only use hose and regulator supplied with heater.

6.1.6. Never use a gas cylinder with a damaged valve or a damaged cylinder.

6.1.7. Never connect an unregulated cylinder to the heater.

### 6.1.8. GAS LEAKAGE

6.1.9. In the event of gas leakage **DO NOT** use the heater. The gas supply should be shut off and the cause should be investigated before it is used again.



## 6.2. LEAKAGE TEST

### ☐ **WARNING! Never perform leak test near sources of ignition.**

- 6.2.1. Gas connections are tested at the factory. A complete gas tightness check must be completed at the installation site prior to use.
- 6.2.2. Make a solution of one part liquid detergent and one part water. The soap solution can be applied with spray bottle, brush or rag. Soap bubbles will appear at the site of a leak.
- 6.2.3. Test must be performed with a full cylinder.
- 6.2.4. Make sure the safety control valve is in the off position. Turn the gas supply on. In the case of a leak turn the gas supply off, re-tighten any fittings, then turn the gas supply on and re-check.

## 6.3. LOCATION OF HEATER refer to fig.3

### ▲ **DANGER** The use of this heater in enclosed areas is dangerous and is prohibited.

- 6.3.1. Ensure that adequate fresh air ventilation is provided.
- 6.3.2. Always maintain proper clearance from combustible materials, i.e top 100cm and sides 100cm minimum.
- 6.3.3. Place on level solid ground.
- 6.3.4. Never operate in an explosive atmosphere for example where explosive or flammable substances are stored.
- 6.3.5. Protect from strong wind. Anchor securely to the ground with screws, refer to fig.3A.

## 6.4. TO TURN ON THE HEATER refer to fig.4

- 6.4.1. Turn cylinder valve fully on.
- 6.4.2. Press in and turn the variable control knob to PILOT ↙ position (counter clockwise 90°).
- 6.4.3. Press down the variable control knob and hold in for 90 seconds. Whilst holding down the variable control knob, press the igniter button several times until the pilot flame lights. Variable control knob can be released after the pilot flame lights.

### **NOTE:**

- If a new gas bottle has been connected, allow at least one minute for the air in the gas pipeline to purge out through the pilot hole.
  - When lighting the pilot flame make sure the variable control knob is continuously pressed down, whilst pressing the igniter button.
  - Variable control knob can be released after the pilot flame ignites.
  - Pilot flame can be watched and checked from the small round window with the sliding lid, located at the bottom of the flame screen (to the left or right side of the controller).
  - If the pilot flame does not light or goes out repeat 6.4.3. above.
- 6.4.4. After the pilot flame lights, turn the variable flame knob to maximum position and leave it there for 5 minutes or more before turning the knob to the desired position.

## 6.5. TO TURN OFF THE HEATER

- 6.5.1. Turn the variable control knob to the pilot position.
- 6.5.2. Push knob in and move knob to off position.
- 6.5.3. Turn off valve on cylinder completely.

## 6.6. CHECK HEATER IMMEDIATELY IF:

- heater does not reach temperature,
- burner makes a popping noise during use (a slight noise is usual when the burner is extinguished).
- smell of gas in conjunction with extreme yellow tip of burner flame.

## 7. STORAGE

- 7.1. Always turn off the gas valve on the gas cylinder after use.
  - 7.2. Disconnect the valve from the cylinder.
  - 7.3. Check the tightness of the gas valve. Check gas valve for damage. If damage is suspected have it inspected/changed by a gas stockist.
- \* **DO NOT** store a liquid gas cylinder in a cellar or in places without adequate air ventilation.

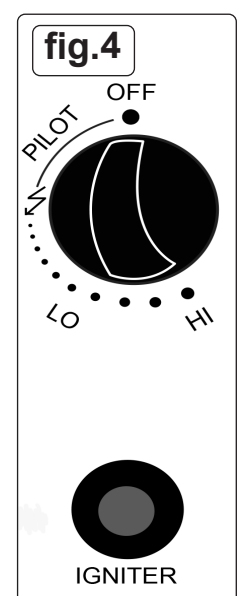
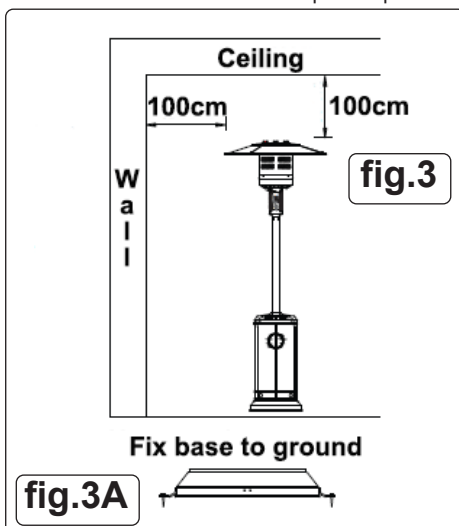
## 8. MAINTENANCE

### 8.1. GAS HOSE

- 8.1.1. Check the hose at least once a month, each time the cylinder is changed, or after a period when the heater has not been used.
- 8.1.2. If it shows signs of cracking, splitting or other deterioration it must be changed for a new hose of equivalent length and quality.

### 8.2. CLEANING

- 8.2.1. Wipe surfaces with a soft, moist rag. **DO NOT** use combustible or corrosive cleaners.
- 8.2.2. Remove debris from the burner to keep it safe for use.
- 8.2.3. Cover the burner unit with the optional protective cover (Model no. DG4) when not in use.



## 9. TROUBLESHOOTING

PROBLEM	CAUSE	SOLUTION
Pilot will not light	Gas valve OFF	Turn gas valve on
	Gas cylinder empty	Renew cylinder
	Opening blocked	Clean or replace opening
	Air in supply system	Purge air from lines
	Loose connections	Tighten connections
Pilot will not stay on	Debris around pilot	Clean dirty area
	Loose connections	Tighten connections
	Thermocouple faulty	Replace thermocouple
	Gas leak in the line	Check connections
	Lack of fuel pressure	Cylinder nearly empty. Renew cylinder
Burner will not light	Pressure is low	Cylinder nearly empty. Renew cylinder
	Opening blocked	Remove and clean
	Control not ON	Turn valve to ON
	Thermocouple faulty	Replace thermocouple
	Pilot light assembly bent	Reposition pilot light
	Not in correct location (too windy)	Position properly and retry



### WEEE REGULATIONS

Dispose of this product at the end of its working life in compliance with the EU Directive on Waste Electrical and Electronic Equipment (WEEE). When the product is no longer required, it must be disposed of in an environmentally protective way. Contact your local solid waste authority for recycling information.



### ENVIRONMENT PROTECTION

Recycle unwanted materials instead of disposing of them as waste. All tools, accessories and packaging should be sorted, taken to a recycling centre and disposed of in a manner which is compatible with the environment. When the product becomes completely unserviceable and requires disposal, drain any fluids (if applicable) into approved containers and dispose of the product and fluids according to local regulations.

**Note:** It is our policy to continually improve products and as such we reserve the right to alter data, specifications and component parts without prior notice.

**Important:** No Liability is accepted for incorrect use of this product.

**Warranty:** Guarantee is 12 months from purchase date, proof of which is required for any claim.

Dellonda Ltd., Kempson Way, Suffolk Business Park, Bury St Edmunds, Suffolk. IP32 7AR



01284 757575



support@dellonda.co.uk



www.dellonda.co.uk