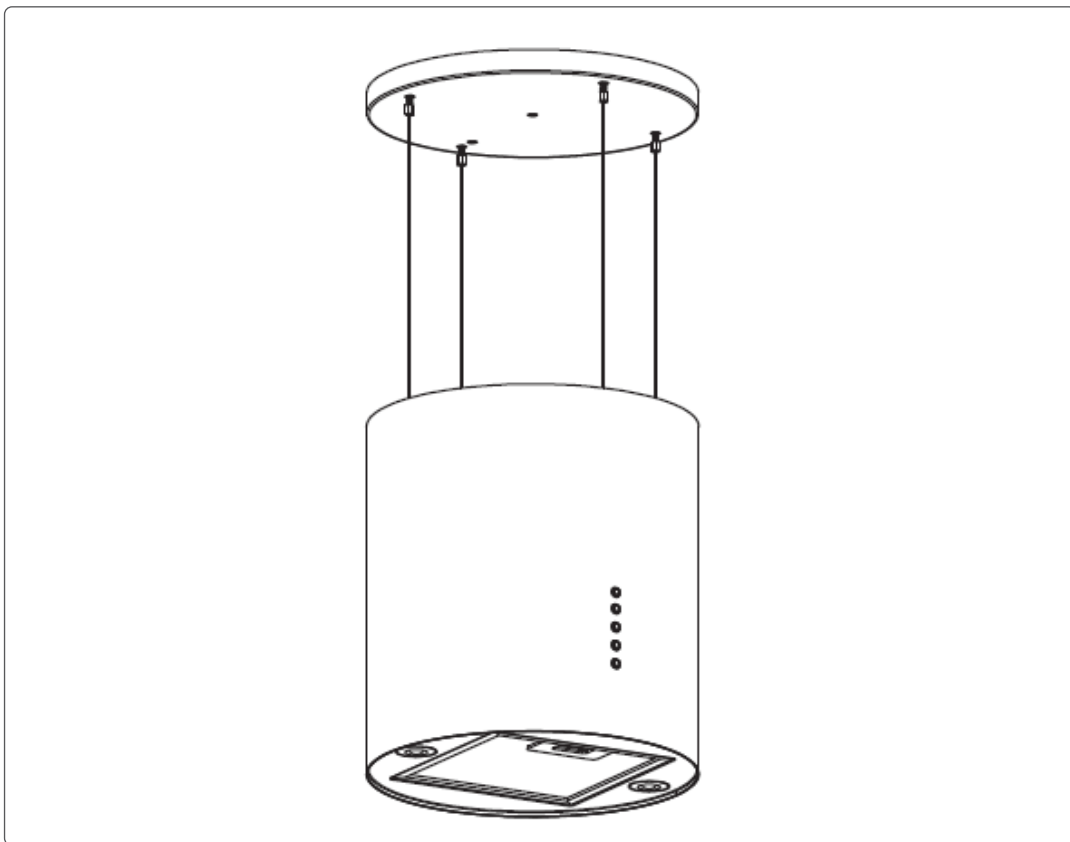




---

**Island Cooker Hood, Pendant Style, Ø35cm, 3 Speed Black,  
Stainless Steel, White**



**Model No's DH219 DH220 DH221**

Thank you for purchasing a Dellonda product. Manufactured to a high standard, this product will, if used according to these instructions, and properly maintained, give you years of trouble free performance.

## Important Information

Please read these instructions carefully. Note the safe operational requirements, warnings & cautions. Use the product correctly and with care for the purpose for which it is intended. Failure to do so may cause damage and/or personal injury and will invalidate the warranty. Keep these instructions safe for future use.



Refer to  
instruction  
manual



Warning:  
Hot  
Surface

## Specification

Airflow: 530m<sup>3</sup>/h  
Cable Length: 2m  
Colour: Black, Stainless Steel, White  
Control: Push Button  
Design: Island  
Headroom: 65 - 75cm  
Power: 78W  
Product dimensions: 350 x 350 x 600/1600mm  
Supply: 220V-240V  
Type: Pendant

## Safety Instructions

### • ELECTRICAL SAFETY

- **WARNING!** It is the user's responsibility to check the following:
- Check all electrical equipment and appliances to ensure that they are safe before using. Inspect power supply leads, plugs and all electrical connections for wear and damage. Dellonda recommend that an RCD (Residual Current Device) is used with all electrical products. You may obtain an RCD by contacting your local domestic stockist. If the product is used in the course of business duties, it must be maintained in a safe condition and routinely PAT (Portable Appliance Test) tested.
- Electrical safety information: It is important that the following information is read and understood.
- Ensure that the insulation on all cables and on the appliance is safe before connecting it to the power supply.
- Regularly inspect power supply cables and plugs for wear or damage and check all connections to ensure that they are secure.
- Important: Ensure that the voltage rating on the appliance suits the power supply to be used and it is fitted with the correct fuse.
- **DO NOT** pull or carry the appliance by the power cable.
- **DO NOT** use worn or damaged cables, plugs or connectors.
- Ensure that any faulty item is repaired or replaced immediately by a qualified electrician.
- Dellonda recommend that installation and repairs are carried out by a qualified electrician.

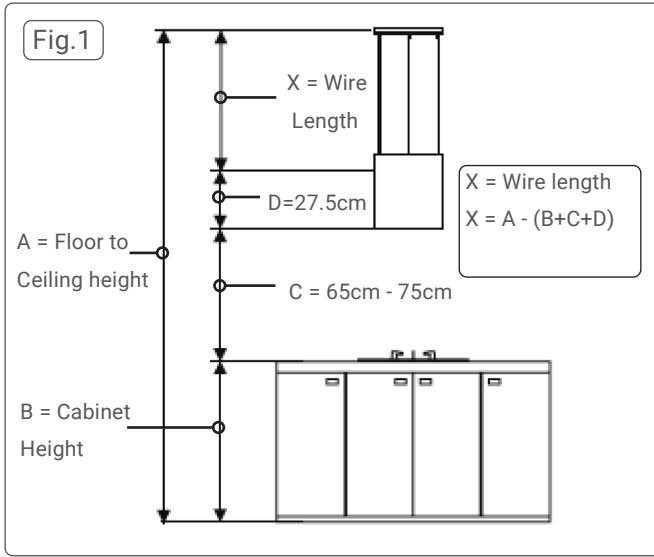
### • GENERAL SAFETY

- This manual explains the proper installation and use of your cooker hood, please read it carefully before using even if you are familiar with the product. The manual should be kept in a safe place for future reference.
- **DO NOT** try to use the cooker hood without the grease filters or if the filters are excessively greasy.
- **DO NOT** install above a cooker with a high level grill.
- **DO NOT** leave frying pans unattended during use because overheated fats or oils might catch fire.
- Never leave naked flames under the cooker hood.
- If the cooker hood is damaged, do not attempt to use it.
- **DO NOT** flambé under the cooker hood.
- **CAUTION:** Accessible parts may become hot when used with cooking appliances.
- The minimum distance between the supporting surface for the cooking vessels on the hob and the lowest part of the cooker hood. (When the cooker hood is located above a gas appliance), this distance shall be at least 65 cm.
- The air must not be discharged into a flue that is used for exhausting fumes from appliances burning gas or other fuels.
- Important! Always switch off the electricity supply at the mains during installation and maintenance such as light bulb replacement.
- The cooker hood must be installed in accordance with the installation instructions and all measurements followed.
- All installation work must be carried out by a competent person or qualified electrician.
- Please dispose of the packing material carefully. Children are vulnerable to it.
- Pay attention to the sharp edges inside the cooker hood especially during installation and cleaning.
- **WARNING:** Failure to install the screws or fixing device in accordance with these instructions may result in electrical hazards.
- **WARNING:** Before obtaining access to terminals, all supply circuits must be disconnected.
- Always put lids on pots and pans when cooking on a gas cooker.
- There shall be adequate ventilation of the room when the hood is used at the same time as appliances burning gas or other fuels.
- The hood removes odours from room but not steam.
- Hood is for domestic use only.
- If the supply cord is damaged, it must be replaced by the manufacturer, its service agent or similarly qualified persons in order to avoid a hazard.
- This appliance can be used by children aged from 8 years and above and persons with reduced physical, sensory or mental capabilities or lack of experience and knowledge if they have been given supervision or instruction concerning use of the appliance in a safe way and understand the hazards involved. Children shall not play with the appliance. Cleaning and user maintenance shall not be made by children without supervision.
- **WARNING:** Before obtaining access to terminals, all supply circuits must be disconnected.
- There is a fire risk if cleaning is not carried out in accordance with the instructions.
- Clean your appliance periodically by following the method given in the maintenance section.
- For safety reasons, please use only the same size of fixing or mounting screws which are recommended in this instruction manual.

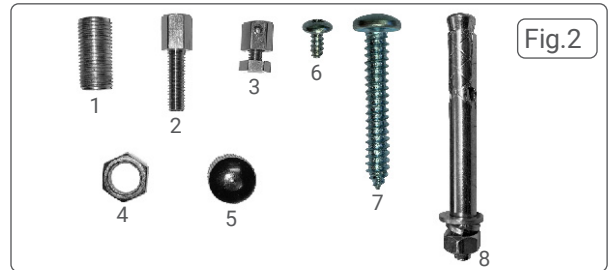
- Maintenance and cleaning: pay attention to the frequency and method detailed at the end of the manual.
- A steam cleaner is not to be used.
- **NEVER** try to extinguish a fire with water, but switch off the appliance and then cover flame e.g. with a lid or a fire blanket.

## INSTALLATION

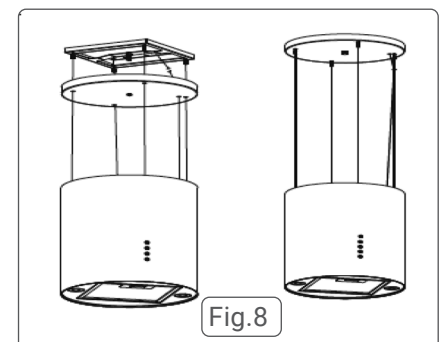
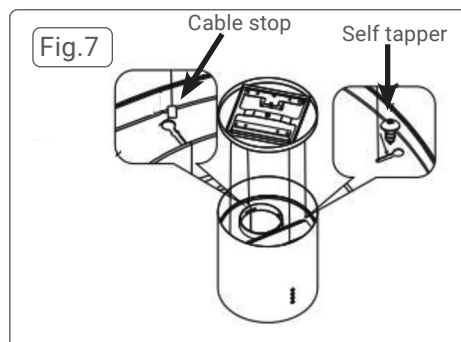
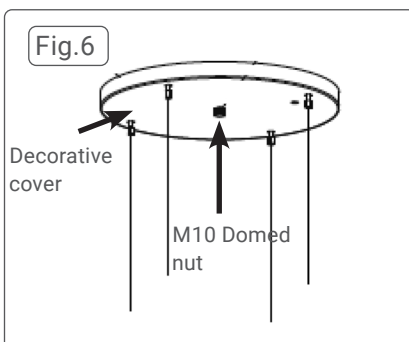
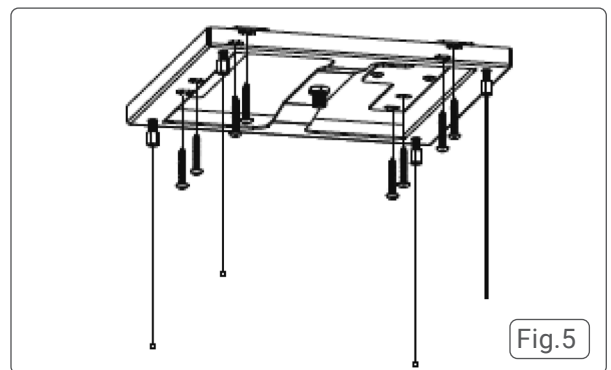
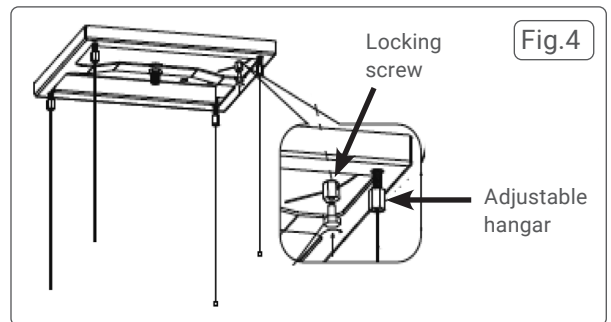
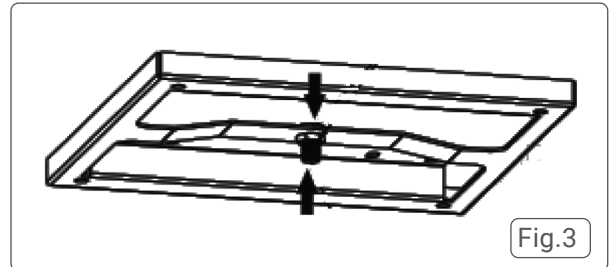
- Note the ceiling being fixed to must bear at least 120kg and be of a thickness greater than or equal to 30mm.
- Before installation, ensure the switch is turned off and unplug from the mains supply.
- The cooker hood should be placed at a distance between 65 and 75cm above the cooking surface for best performance, fig.1.



Item	Description	Item	Description
1	1 x M10 Barrel	5	1 x M10 Domed nut
2	4 x Adjustable hangers	6	4 x Self-tapping Screws
3	4 x Locking screw	7	8 x M6 Wood Screws
4	2 x M10 Thin nut	8	4 x Rawlbolts

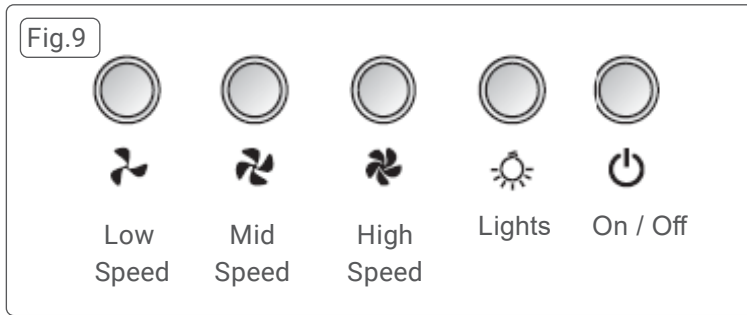


- Pass the M10 barrel through the centre hole of the mounting plate and fix in place using the two M10 thin nuts on either side. On the upper most side only, allow the barrel to protrude beyond the thin nut by only two threads. This will allow sufficient thread below the plate for fixing the decorative plate in place using the domed nut. See fig.3 and fig.6.
- Install the four adjustable hangers in each corner of the mounting plate. Allow approximately 5mm of thread to be below the mounting plate as this will allow for height adjustment once the unit is mounted to the ceiling. See fig.4.
- With the correct wire length calculated, pass the wires through the hangers and lock in place using the locking screws. See fig.4.
- Reconfirm required wire length and cut to suit leaving sufficient tail to make any future adjustment to hood height.
- If fixing to a wooden ceiling use the paper template supplied to mark and drill the 8 installation holes in the ceiling to suit the M6 Wood Screws supplied (Recommended drill size Ø3mm). See fig.5.
- If fixing to a concrete ceiling, drill 4 holes (one in each corner of template) to suit the Rawlbolts supplied (Recommended drill size Ø8mm). See fig.5.
- Lower the cable stop ends into the key-hole slots in the top of the hood and fix in place using the 4 small self-tapping screws in the holes provided within the key-hole slot (Fig.7).
- Thread the power cable through the hole in the decorative cover plate and fit the electric plug. Tie the power cable to the relevant wire hanger using the cable ties provided.
- Slide the decorative cover plate up the wires and fit it in place to the mounting plate using the domed nut screwed onto the protruding threaded barrel. See fig.8.



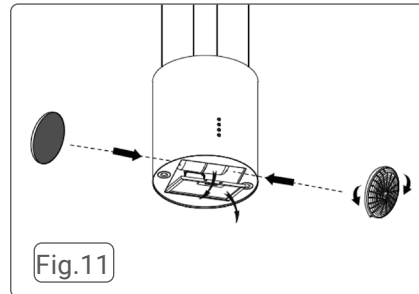
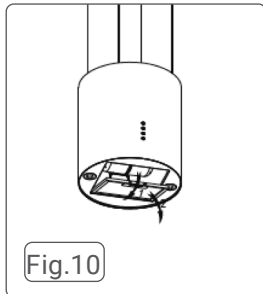
## OPERATION

- With power supply switched on, press On/Off to start the unit. Select required function using appropriate button. See fig.9.



## MAINTENANCE

- WARNING:** Always isolate from the power supply before any cleaning or maintenance is carried out.
- Cleaning and user maintenance shall not be made by children without supervision.
- To clean the wire mesh filter, depress the tab and withdraw it from the unit. See fig.10.
- Wash in mild detergent and brush gently with a soft brush. **DO NOT** apply too much pressure.
- Leave the mesh to dry naturally out of direct sunlight.
- To replace the carbon filters, remove the wire mesh filter. The carbon filters are housed at both ends of the motor. See fig.11.
- Unscrew the filter housings from the motor body by rotating them anti-clockwise. Replace the used filters.
- NOTE:** Make sure the carbon filter housings are firmly in place or they might loosen and cause damage or poor performance.



- External surfaces are susceptible to scratches and abrasions, so please follow the cleaning instructions to ensure the best possible result is achieved without damage.
- Cleaning and maintenance should be carried out with the appliance cold especially cleaning. Avoid leaving alkaline or acid substances (lemon juice, vinegar etc.) on the surfaces.
- To change a light bulb, insert a thin, straight bladed screwdriver between the light bulb and the hood housing and gently lever the bulb out.
- Disconnect the wiring and replace the bulb.

## TROUBLESHOOTING

Fault	Cause	Solution
Light on but motor does not work	Fan switch turned off	Select a fan switch position
	Fan switch failed	Contact service centre
	Motor failed	Contact service centre
Light does not work, motor does not work	House fuses blown	Reset/replace fuses
	Mains cable loose or disconnected	Refit mains power cable to power outlet. Switch power on.
Lights not working	Broken or faulty bulbs	Replace bulbs as per instructions in this manual
Insufficient suction	Distance between the cooker hood and the hob is too great	Refit the cooker hood to the correct distance
Cooker hood inclines	Fixing screws are not tight enough	Tighten the hanging screw and make horizontal


#### **Environment Protection and Waste Protection and Electrical Equipment Regulations (WEEE)**



Recycle unwanted packaging materials. When this product is no longer required, or has reached the end of its useful life, please dispose of it in an environmentally friendly way. Drain any fluids (if applicable) into approved containers, in accordance with local waste regulations. Under the Waste Batteries and Accumulators Regulations 2009, Dellonda would like to inform the user that this product contains one or more batteries. It is our policy to continually improve products and we reserve the right to alter data, specifications and parts without prior notice. No liability is accepted for incorrect use of this product. Guarantee is 12 months from purchase date, proof of which is required for any claim.

### **Dellonda Limited**

Kempson Way, Suffolk Business Park, Bury St Edmunds, Suffolk. IP32 7AR

 01284 757575

 [support@dellonda.co.uk](mailto:support@dellonda.co.uk)

 [www.dellonda.co.uk](http://www.dellonda.co.uk)