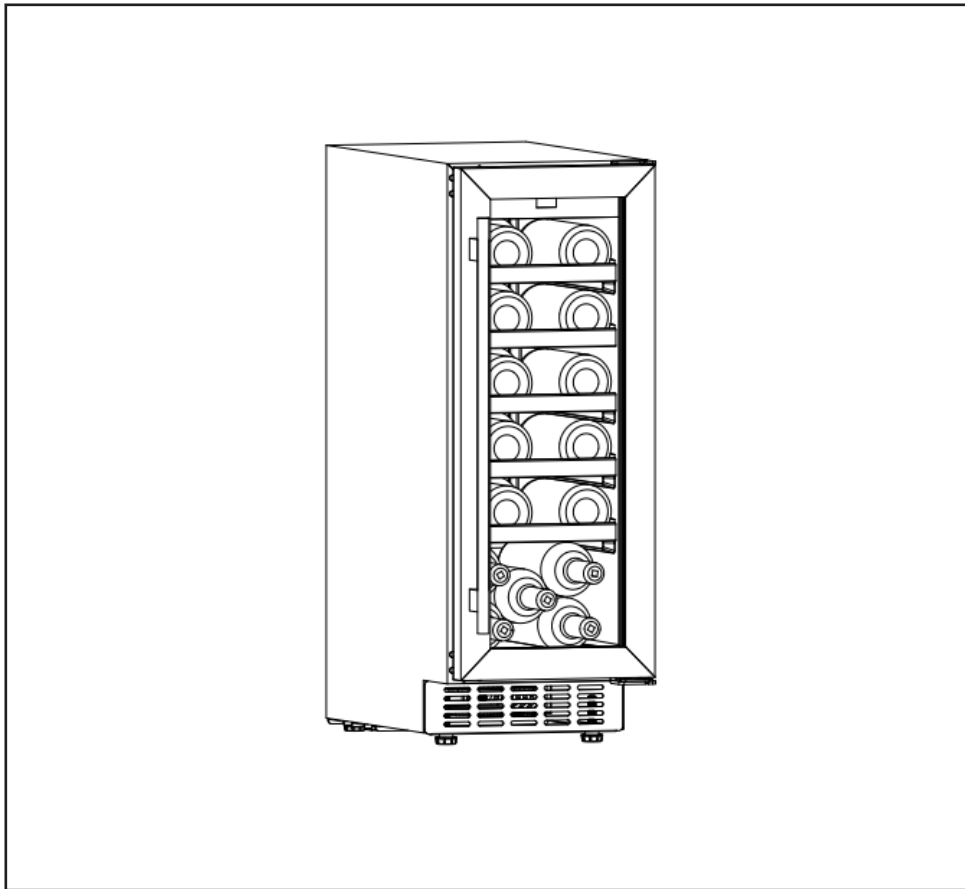


baridi

30cm 20 Bottle Wine Cooler with Beech Wood Shelves



Model No. DH203

Thank you for purchasing a Dellonda product. Manufactured to a high standard, this product will, if used according to these instructions, and properly maintained, give you years of trouble free performance.

Important Information

Please read these instructions carefully. Note the safe operational requirements, warnings & cautions. Use the product correctly and with care for the purpose for which it is intended. Failure to do so may cause damage and/or personal injury and will invalidate the warranty. Keep these instructions safe for future use.



Refer to
instructions



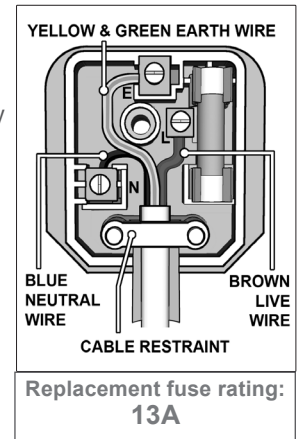
Indoor use
only



Warning:
flammable
material

• ELECTRICAL SAFETY

- **WARNING!** It is the user's responsibility to check the following:
- Check all electrical equipment and appliances to ensure that they are safe before using. Inspect power supply leads, plugs and all electrical connections for wear and damage. Dellonda recommend that an **RCD** (Residual Current Device) is used with all electrical products. You may obtain an **RCD** by contacting your local domestic stockist. If the product is used in the course of business duties, it must be maintained in a safe condition and routinely **PAT** (Portable Appliance Test) tested.
- **Electrical safety information:** It is important that the following information is read and understood.
- Ensure that the insulation on all cables and on the appliance is safe before connecting it to the power supply.
- Regularly inspect power supply cables and plugs for wear or damage and check all connections to ensure that they are secure.
- **Important:** Ensure that the voltage rating on the appliance suits the power supply to be used and that the plug is fitted with the correct fuse - see fuse rating in these instructions.
- **DO NOT** pull or carry the appliance by the power cable.
- **DO NOT** pull the plug from the socket by the cable.
- **DO NOT** use worn or damaged cables, plugs or connectors.
- Ensure that any faulty item is repaired or replaced immediately by a qualified electrician.
- This product is fitted with a **BS1363/A** 3 pin plug. If the cable or plug is damaged during use, switch off the electricity supply and remove from use. Ensure that repairs are carried out by a qualified electrician.
 - A) Connect the GREEN/YELLOW earth wire to the earth terminal 'E'.
 - B) Connect the BROWN live wire to the live terminal 'L'.
 - C) Connect the BLUE neutral wire to the neutral terminal 'N'.
- Ensure that the cable outer sheath extends inside the cable restraint and that the restraint is tight.
- Dellonda recommend that repairs are carried out by a qualified electrician.

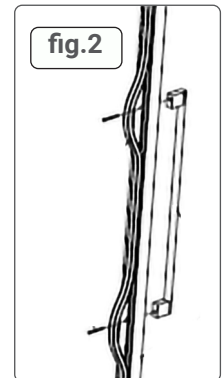
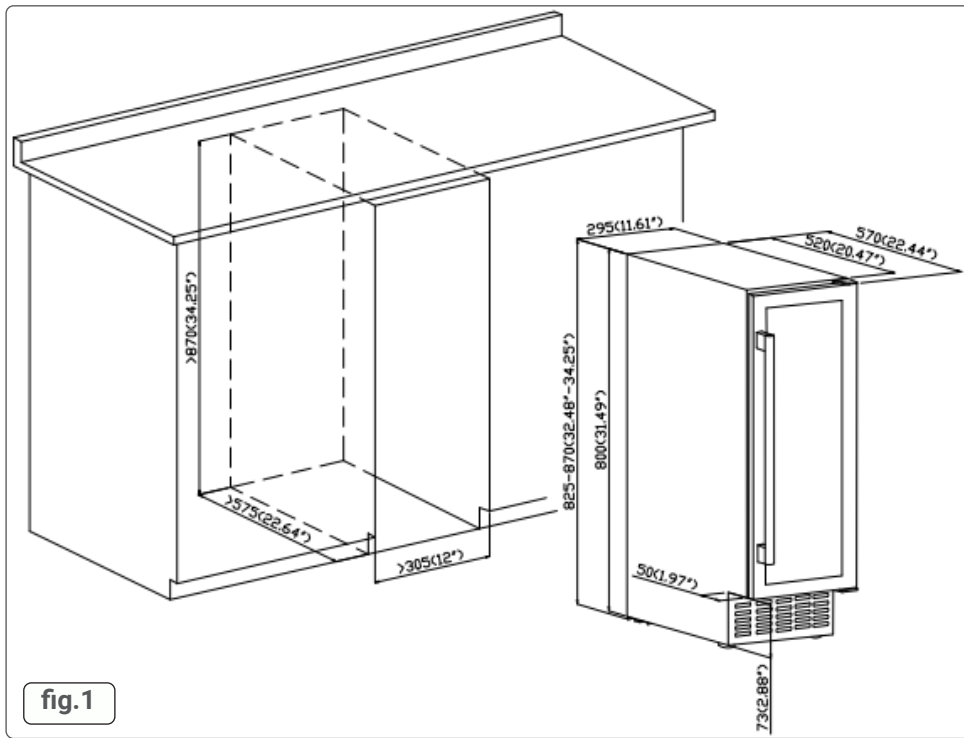


• GENERAL SAFETY

- **WARNING:** When positioning the appliance, ensure the supply cord is not trapped or damaged. If the supply cord is damaged, it must be replaced by the manufacturer, its service agent or similarly qualified persons in order to avoid a hazard.
- Keep ventilation openings, in the appliance enclosure or in the built-in structure, clear of obstruction.
- **DO NOT** use mechanical devices or other means to accelerate the defrosting process, other than those recommended by the manufacturer.
- **DO NOT** damage the refrigerant circuit.
- **DO NOT** use electrical appliances inside the drink storage compartments of the appliance, unless they are of the type recommended by the manufacturer.
- **DO NOT** store explosive substances such as aerosol cans with a flammable propellant in this appliance.
- **WARNING: DO NOT** locate multiple portable socket-outlets or portable power supplies at the rear of the appliance.
- To avoid a hazard due to instability of the appliance, it must be fixed in accordance with the instructions.
- This appliance is intended to be used in household and similar applications such as:
 - - staff kitchen areas in shops, offices and other working environments;
 - - farm houses and by clients in hotels, motels and other residential type environments;
 - - bed and breakfast type environments;
 - - catering and similar non-retail applications.
- This appliance can be used by children aged from 8 years and above and persons with reduced physical, sensory or mental capabilities or lack of knowledge and experience if they have been given supervision or instruction concerning the use of the appliance in a safe way and understand the hazards involved. Children shall not play with the appliance. Cleaning and user maintenance shall not be made by children without supervision.
- This appliance is not intended for use by persons (including children) with reduced physical, sensory or mental capabilities, or lack of experience and knowledge, unless they have been given supervision or instruction concerning use of the appliance by a person responsible for their safety.
- Children aged from 3 to 8 years are allowed to load and unload refrigerating appliances.
- To avoid contamination of drink, please respect the following instructions:
 - - Opening the door for long periods can cause a significant increase of the temperature in the compartments of the appliance.
 - - Clean regularly surfaces that can come in contact with drink and accessible drainage systems.
 - - If the appliance is left empty for long periods, switch off, defrost, clean, dry, and leave the door open to prevent mould developing.

• INSTALLATION

- The unit is designed to be either free-standing or installed under the counter. See Fig.1 for dimensions required. This will maximise the efficiency, performance and the life of the fridge and also ensure that there is sufficient space for the hinge to operate effectively.
- Locate the unit away from direct sunlight or sources of heat i.e. radiator, stove etc. Extreme or cold ambient temperatures may also prevent the unit working effectively.
- **DO NOT** locate the unit in a damp or moist location.
- Ensure that the floor surface is strong and stable enough to support the unit when it is fully loaded.
- Level the unit when in location by using the adjustable levelling feet in each corner.
- Once in position allow the unit to rest for an hour before turning it on.
- Allow the unit 2-3 hours to reach set temperature after switching on before placing any items in the compartment.



• **INSTALLING DOOR HANDLE**

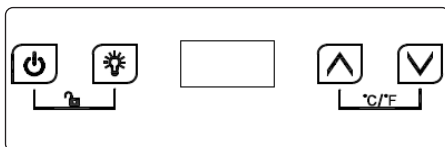
• **NOTE:** The handle is delivered in a separate package with screws included in the carton.

• **HANDLE** (fig.2)

• Reveal two small holes on the door frame from inner side by pulling out a bit the door seal (fig.2).

• Align the handle to the holes in the door frame and insert and fix the screws from the inside of the unit. Replace the door seal.

• **OPERATION**



• **ON / OFF**

- Press for 3 seconds for normal working.
- Press for further 3 seconds to power down and enter standby mode.

• **LIGHT**

• To turn on / turn off internal LEDs, press this control. **NOTE:** in Standby mode this key is invalid.

• **UP ADJUSTMENT**

• Press once to show current setting. Hold to adjust setting (+1°C per step). Release to set value.

• **DOWN ADJUSTMENT**

• Press once to show current setting. Hold to adjust setting (-1°C per step). Release to set value.

• **CHILD LOCK**

• To lock controls, press both buttons at the same time for 3 seconds. To unlock controls press both keys at the same time for 3 seconds.

• **°F / °C UNITS**

• To switch display from Centigrade to Fahrenheit press both keys at the same time.

• **STORAGE GUIDELINES**

- Each shelf is designed to carry 1 or 2 layers of bottles. More than 2 layers of bottles on one shelf are not recommended.
- Each shelf pulls out partly to store wine bottles easily.
- Open the door straight enough before pulling out shelves.
- The shelf in front of the fan should be avoided if possible, to avoid blocking the air inlet and affecting the cooling efficiency.
- If the wine cooler is empty for a period, it is recommended to turn it off, clean and dry it carefully and open the door for ventilation.
- Below table is the recommended temperature for wine storage.

• Red Wine	15-18°C
• White Wine	9-14°C
• Rose Wine	10-11°C
• Champagne & Sparkling Wine	5- 8°C

• **TIPS**

- Unit is intended to be used exclusively for the storage of wine.
- This refrigerating appliance is not suitable for the freezing of foodstuffs.
- The wine cooler is designed to run between 5 and 20°C.
- The shelves placed in factory mode is the most efficient use of energy for the appliance.
- When the surrounding temperature is 25°C and the wine cooler has no bottles loaded, it will take around 30 minutes to increase the wine cooler's temperature from 5°C to 12°C. Under the same circumstances, it will take around one hour to decrease the wine cooler's temperature from 12°C to 5°C. The less the temperature span is, the less time it will take.
- The wine cooler factory temperature setting is 12°C.

• **MAINTENANCE**

- Remove the power plug from the supply when performing cleaning or maintenance.
- **DO NOT** use abrasive or chemical cleaning materials on any surface of the unit.
- Wipe interior and exterior surfaces with a damp cloth and dry thoroughly with a clean dry cloth.
- For more soiled surfaces use a neutral detergent, wipe down with a clean damp cloth and dry thoroughly with a clean dry cloth.
- **DO NOT** use organic solvents, alkaline detergent, boiling water, washing powder or acid liquid etc.
- **DO NOT** flush the compartment of the appliance.

• **TROUBLESHOOTING**

• The appliance makes lots of noise?	<ul style="list-style-type: none"> • Please adjust the front foot to keep the appliance level. • Please keep the appliance spaced away from walls if free standing.
• Liquid flowing sound inside the cabinet?	<ul style="list-style-type: none"> • It is normal because of the refrigerant working inside.
• The appliance does not start?	<ul style="list-style-type: none"> • Make sure the appliance is connected to the power properly. • Make sure to switch on the power. • The compressor re-starts after 5 minutes for a power cut.
• Compressor runs continuously?	<ul style="list-style-type: none"> • If cooling is evident, call the after-sale service.
• Door does not seal tightly?	<ul style="list-style-type: none"> • After long time use, the door seal might get stiff & distorted partially. • Heat the door seal with hot-wind blower or hot towel. Once seal is softened close the door
• The appliance does not cool sufficiently?	<ul style="list-style-type: none"> • Adjust temperature setting. • Keep the appliance away from sunlight or heat. • Do not open the door frequently.
• Unpleasant smells inside cabinet?	<ul style="list-style-type: none"> • A light plastic smell for a new unit is normal and will disappear after a short time. • Clean the compartment and ventilate it for a few hours.
• Condensate on the glass door?	<ul style="list-style-type: none"> • Please do not open the door frequently or for a long time. • Please do not set the temperature too low. • High ambient temperature and humidity would cause condensate.
• The light is not working?	<ul style="list-style-type: none"> • Check the power supply. • Call the retailer's after-sale service if the light is broken.

Environment Protection and Waste Protection and Electrical Equipment Regulations (WEEE)

Recycle unwanted packaging materials. When this product is no longer required, or has reached the end of its useful life, please dispose of it in an environmentally friendly way. Drain any fluids (if applicable) into approved containers, in accordance with local waste regulations. Under the Waste Batteries and Accumulators Regulations 2009, Dellonda would like to inform the user that this product contains one or more batteries. It is our policy to continually improve products and we reserve the right to alter data, specifications and parts without prior notice. No liability is accepted for incorrect use of this product. Guarantee is 12 months from purchase date, proof of which is required for any claim.

Dellonda Limited

Kempson Way, Suffolk Business Park, Bury St Edmunds, Suffolk. IP32 7AR



01284 757575



support@dellonda.co.uk



www.dellonda.co.uk